

This appliance has been retired.  
Service parts pages within have been removed.  
For replacement parts, please refer to the individual  
service parts list located on the brand websites.

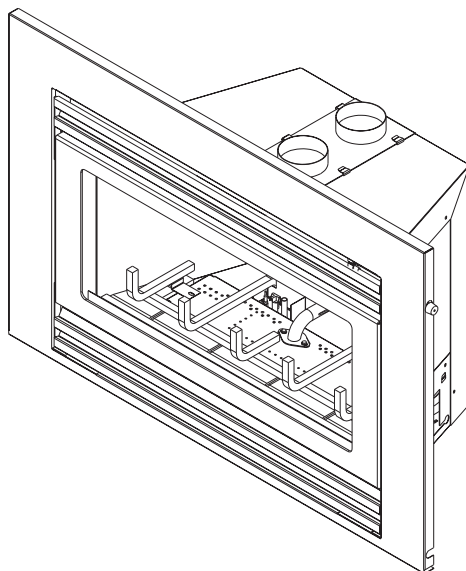
# Heat-N-Glo Fireplace

**Model:**  
**AT-ZC**

## Installers Guide

Patents Pending

Underwriters Laboratories Listed



**WARNING**  
**IF THE INFORMATION IN**  
**THESE INSTRUCTIONS IS NOT**  
**FOLLOWED EXACTLY, A FIRE**  
**OR EXPLOSION MAY RESULT**  
**CAUSING PROPERTY DAMAGE,**  
**PERSONAL INJURY OR DEATH.**

- Do not store or use gasoline or other flammable vapors and liquids in the vicinity of this or any other appliance.
- **What to do if you smell gas**
- Do not try to light any appliance.
- Do not touch any electrical switch.
- Do not use any phone in your building.
- Immediately call your gas supplier from a neighbor's phone. Follow the gas supplier's instructions.
- If you cannot reach your gas supplier, call the fire department.
- Installation and service must be performed by a qualified installer, service agency, or the gas supplier.

**READ THIS MANUAL BEFORE**  
**INSTALLING OR OPERATING THIS**  
**APPLIANCE. THIS *INSTALLERS GUIDE***  
**MUST BE LEFT WITH APPLIANCE FOR**  
**FUTURE REFERENCE.**

**WARNING: IMPROPER**  
**INSTALLATION, ADJUSTMENT,**  
**ALTERATION, SERVICE OR**  
**MAINTENANCE CAN CAUSE**  
**INJURY OR PROPERTY DAMAGE.**  
**REFER TO THIS MANUAL. FOR**  
**ASSISTANCE OR ADDITIONAL**  
**INFORMATION CONSULT A**  
**QUALIFIED INSTALLER, SERVICE**  
**AGENCY, OR THE GAS SUPPLIER.**

1. This appliance may be installed in an aftermarket, permanently located, manufactured (mobile) home, where not prohibited by local codes.
2. This appliance is only for use with the type of gas indicated on the rating plate. This appliance is not convertible for use with other gases, unless a certified kit is used.

Printed in U.S.A.  
Copyright 1998,  
Heat-N-Glo Fireplace Products, Inc.  
6665 West Highway 13, Savage, MN 55378

Please contact your Heat-N-Glo Fireplace dealer for any questions or concerns. For the number of your nearest Heat-N-Glo dealer, please call 612-890-8367.

## SAFETY AND WARNING INFORMATION



**READ** and **UNDERSTAND** all instructions carefully before starting the installation. **FAILURE TO FOLLOW** these installation instructions may result in a possible fire hazard and will void the warranty.



Prior to the first firing of the fireplace, **READ** the Using Your Fireplace section of the *Owners Guide*.



**DO NOT USE** this appliance if any part has been under water. Immediately **CALL** a qualified service technician to inspect the unit and to replace any part of the control system and any gas control which has been underwater.



**THIS UNIT IS NOT FOR USE WITH SOLID FUEL.**



Installation and repair should be **PERFORMED** by a qualified service person. The appliance and venting system should be **INSPECTED** before initial use and at least annually by a professional service person. More frequent cleaning may be required due to excessive lint from carpeting, bedding material, etc. It is **IMPERATIVE** that the unit's control compartment, burners, and circulating air passageways **BE KEPT CLEAN** to provide for adequate combustion and ventilation air.



Always **KEEP** the appliance clear and free from combustible materials, gasoline, and other flammable vapors and liquids.



**NEVER OBSTRUCT** the flow of combustion and ventilation air. Keep the front of the appliance **CLEAR** of all obstacles and materials for servicing and proper operations.



Due to the high temperature, the appliance should be **LOCATED** out of traffic areas and away from furniture and draperies. Clothing or flammable material **SHOULD NOT BE PLACED** on or near the appliance.



Children and adults should be **ALERTED** to the hazards of high surface temperature and should **STAY AWAY** to avoid burns or clothing ignition. Young children should be **CAREFULLY SUPERVISED** when they are in the same room as the appliance.



These units **MUST** use one of the vent systems described in the Installing the Fireplace section of the *Installers Guide*. **NO OTHER** vent systems or components **MAY BE USED**.



This gas fireplace and vent assembly **MUST** be vented directly to the outside and **MUST NEVER** be attached to a chimney serving a separate solid fuel burning appliance. Each gas appliance **MUST USE** a separate vent system. Common vent systems are **PROHIBITED**.



**INSPECT** the external vent cap on a regular basis to make sure that no debris is interfering with the air flow.



The glass door assembly **MUST** be in place and sealed, and the trim door assembly **MUST** be in place on the fireplace before the unit can be placed into safe operation.



**DO NOT OPERATE** this appliance with the glass door removed, cracked, or broken. Replacement of the glass door should be performed by a licensed or qualified service person. **DO NOT** strike or slam the glass door.



The glass door assembly **SHALL ONLY** be replaced as a complete unit, as supplied by the gas fireplace manufacturer. **NO SUBSTITUTE** material may be used.



**DO NOT USE** abrasive cleaners on the glass door assembly. **DO NOT ATTEMPT** to clean the glass door when it is hot.



Turn off the gas before servicing this appliance. It is recommended that a qualified service technician perform an appliance check-up at the beginning of each heating season.



Any safety screen or guard removed for servicing must be replaced before operating this appliance.

## Table of Contents

<b>Safety and Warning Information .....</b>	<b>i</b>
<b>Section 1: Approvals and Codes .....</b>	<b>1</b>
Approval Listings and Codes .....	1
Appliance Certification .....	1
Installation Codes .....	1
High Altitude Installations .....	1
<b>Section 2: Getting Started .....</b>	<b>2</b>
Introducing the Heat-N-Glo Gas Appliances .....	2
Pre-installation Preparation .....	2
Venting and Installation .....	3
<b>Section 3: Installing the Insert .....</b>	<b>5</b>
Step 1 Installing the Vent System .....	5
Vent System Approvals .....	6
Step 2 Positioning, Leveling, and Securing the Insert .....	10
Step 3 The Gas Control Systems .....	10
Step 4 The Gas Supply Line .....	11
Step 5 Gas Pressure Requirements .....	12
Step 6 Wiring the Appliance .....	12
Step 7 Installing Logs and Ember Material .....	14
Positioning the Logs .....	14
Placing the Ember Material .....	14
Step 8 Installing Trim and Surrounds .....	16
Step 9 Before Lighting the Appliance .....	18
Step 10 Lighting the Appliance .....	18
After the Installation .....	18
<b>Section 4: Maintenance and Servicing .....</b>	<b>19</b>
<b>Section 5: Replacement Parts and Accessories .....</b>	<b>21</b>
Replacement Parts .....	21
Accessories .....	24

# 1

## Approvals and Codes

### Approval Listings and Codes

### Appliance Certification

The Heat-N-Glo models discussed in this *Installers Guide* have been tested to certification standards and listed by the applicable laboratories.

MODEL	LABORATORY	TYPE	CERTIFICATION STANDARD
AT-ZC	Underwriters Laboratories	Direct Vent Wall Furnace	ANSI Z21.44•CGA2.19/IR#41

### Installation Codes

The appliance installation must conform to local codes. Before installing the appliance, consult the local building code agency to ensure that you are in compliance with all applicable codes, including permits and inspections.

In the absence of local codes, the fireplace installation must conform to the National Fuel Gas Code ANSI Z223.1 (in the United States) or the CAN/CGA-B149 Installation Codes (in Canada). The appliance must be electrically grounded in accordance with local codes or, in the absence of local codes with the National Electric Code ANSI/NFPA No. 70 (in the United States), or to the CSA C22.1 Canadian Electric Code (in Canada).

These models may be installed in a bedroom or bed-sitting room in the U.S.A. and Canada.

### High Altitude Installations

U.L. Listed gas appliances are tested and approved for elevations from 0 to 2,000 feet in the U. S. A. and are tested and approved for elevations from 0 to 4,500 feet in Canada.

When installing this appliance at an elevation above 2,000 feet (in the United States), it may be necessary to decrease the input rating by changing the existing burner orifice to a smaller size. Input should be reduced four percent (4%) for each 1,000 feet above sea level, unless the heating value of the gas has been reduced, in which case this general rule will not apply. To identify the proper orifice size, check with the local gas utility.

When installing this appliance at an elevation between 2,000 and 4,500 feet (in Canada), the input rating must be reduced by ten percent (10%).

When installing this appliance at an elevation above 4,500 feet (in Canada), check with local authorities.

Consult your local gas utility for assistance in determining the proper orifice for your location.

## Introducing the Heat-N-Glo Gas Appliances

Heat-N-Glo direct vent gas appliances are designed to operate with all combustion air siphoned from outside of the building and all exhaust gases expelled to the outside.

The information contained in this *Installers Guide*, unless noted otherwise, applies to all models and gas control systems.

Gas appliance diagrams, including the dimensions, are shown in this section.

## Pre-installation Preparation

This gas insert and its components are tested and safe when installed in accordance with this *Installers Guide*. Report to your dealer any parts damaged in shipment, particularly the condition of the glass. **Do not install any unit with damaged, incomplete, or substitute parts.**

The vent system components and trim surrounds are shipped in separate packages. The gas logs are packaged separately and must be field installed. **Read all of the instructions before starting the installation. Follow these instructions carefully during the installation to ensure maximum safety and benefit. Failure to follow these instructions will void the owner's warranty and may present a fire hazard.**

The Heat-N-Glo Fireplace Products, Inc. Warranty will be voided by, and Heat-N-Glo Fireplace Products, Inc. disclaims any responsibility for, the following actions:

- Installation of any damaged fireplace or vent system component.
- Modification of the fireplace or direct vent system.
- Installation other than as instructed by Heat-N-Glo Fireplace Products, Inc.
- Improper positioning of the gas logs or the glass door.
- Installation and/or use of any component part not manufactured and approved by Heat-N-Glo Fireplace Products, Inc., notwithstanding any independent testing laboratory or other party approval of such component part or accessory.

**ANY SUCH ACTION MAY POSSIBLY CAUSE A FIRE HAZARD.**

# 2

## Getting Started

## VENTING AND INSTALLATION

1. Heat -N-Glo gas inserts are designed for recessed installations into solid fuel Masonry or Factory Built Non Combustible fireplaces that have been installed in accordance with the National, Provincial, State and local building codes.
2. Minimum fireplace opening requirements are shown in Figure 1 of this installation manual. The firebrick (refractory) can be removed from a factory built fireplace in order to gain minimum gas insert opening requirements.
3. To assure top performance, safety and efficiency, inserts must be installed with an approved flue liner as per CAN/CGA B-149 or National Fuel Code ANSI Z223 and these instructions.



### **WARNING**

**THE SOLID FUEL FIREPLACE HAS BEEN CONVERTED FOR USE WITH GAS ONLY AND CANNOT BE USED FOR BURNING WOOD OR SOLID FUELS UNLESS ALL ORIGINAL PARTS HAVE BEEN REPLACED AND THE FIREPLACE HAS BEEN REAPPROVED BY THE AUTHORITY HAVING JURISDICTION.**

4. The solid fuel fireplace's flue damper must be fully locked in the open position or removed for installation.
5. The chimney must be cleaned and in good working order and constructed of noncombustible materials.
6. Make sure that all chimney cleanouts fit properly so air cannot leak into the chimney.
7. Install the insert without the trim surround and make all gas, venting, and electrical connections.



### **WARNING**

**Under no circumstances cutting of sheet metal surfaces are allowed for installation.**



**If the factory built fireplace has no gas access holes provided, an access hole of 1" diameter (25mm) or less may be drilled through the lower sides or bottom of the combustion chamber in a proper workmanship like manner.**

8. Install decorative trim surround. Please refer to instructions included with the trim surround.



**Ensure there are no obstructions to side air passages of decorative trim once installed on insert.**

When planning a fireplace insert installation, it's necessary to determine:

- The vent system configuration to be used.
- Gas supply piping.
- Whether optional accessories—devices such as a wall switch, or remote control—are desired.

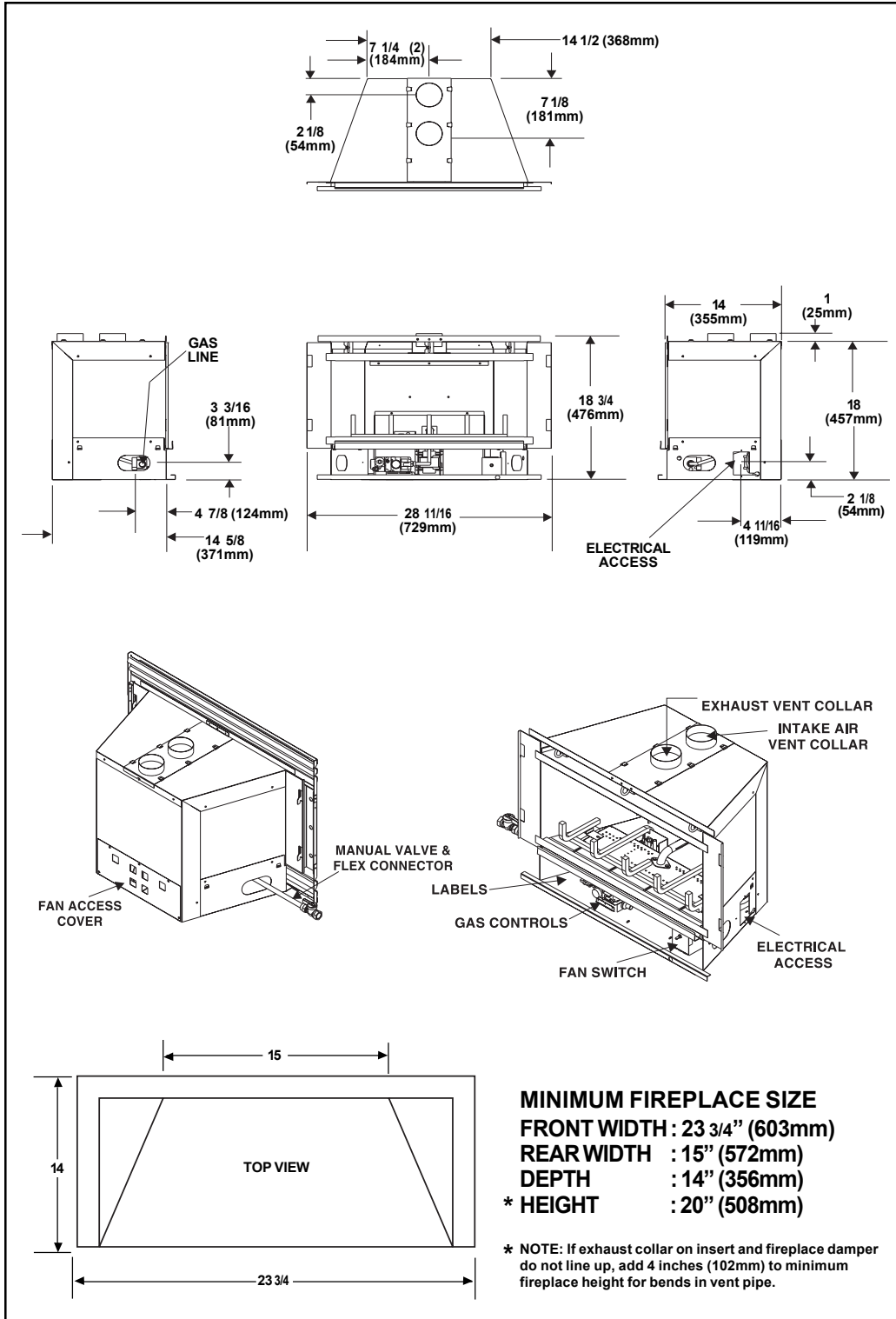


Figure 1. Diagram of the AT-ZC

# 3

## Installing the Insert

### Step 1 Installing the Vent System

#### Vent System Installation Precautions

Before starting installation of vent kits, the installer should read these instructions and the Vent Kit Instructions to ensure that a proper vent installation is completed.

Consult your local Building Codes before beginning the Installation.



#### **WARNING**

**THIS GAS INSERT AND VENT ASSEMBLY MUST BE VENTED DIRECTLY TO THE OUTSIDE AND MUST NEVER BE ATTACHED TO A CHIMNEY SERVING A SEPARATE SOLID FUEL BURNING APPLIANCE. EACH GAS APPLIANCE MUST USE A SEPARATE VENT SYSTEM. COMMON VENT SYSTEMS ARE PROHIBITED.**

#### Vent System Approvals

Table 1 and Figure 3 through 5 shows the vent termination caps and systems approved for the use with these models. Approved vent system terminations are labeled for identification. 3-inch diameter listed flexible aluminum or stainless steel gas vent is used for both the incoming combustion air and exhaust vent pipes. **NO OTHER VENTING SYSTEMS OR COMPONENTS MAY BE USED.** Detailed installation instructions are included with each vent termination kit and should be used in conjunction with this manual.

#### Horizontal Venting

The vent system on this model **CANNOT** be terminated horizontally.

#### Vertical Venting

The vent pipes **MUST** be connected to the proper collars on the unit **AND** the exhaust vent pipe **MUST** be connected to the termination cap or the unit will not operate. The combustion air vent pipe **CAN** be connected to the termination cap or it can terminate inside the chimney. The bottom opening of the chimney must be sealed around the vent pipes if the combustion air vent is **NOT** connected to the termination cap. See Figures 3, 4 and 5.

**NOTE:** The minimum vertical rise (exhaust vent) is 14 feet and the maximum vertical rise is 50 feet. These dimensions are measured from the starting collars of the unit to the end of the last section of vent pipe See dimension V in Figure 3.



A vertical vent termination system installed on this model will include one (1) length of 3-inch flexible vent pipe for the combustion air, one (1) pipe-to-cap adaptor, and one (1) SLK-991DA or SLK-980D Vertical termination Cap.

**NOTE:** The damper of the masonry chimney may need to be removed to allow installation of the flexible-vent pipe.

This fireplace has been altered to accommodate an insert and should be inspected by a qualified person prior to re-use as a conventional fireplace.

**NOTE:** The above label, located in the instruction package, must be affixed to the existing fireplace prior to installation of Model BAY-INS.

For zero clearance, factory built woodburning fireplaces, the use of kit LINK-ZC-ADP, in place of the standard square flashing, will allow you to mount the adaptor and cap on metal pipe. Additionally, the use of kit FLASH-DAMP will seal off the damper opening when terminating the inlet air vent pipe just above the damper. These two kits are recommended for zero clearance, factory built woodburning fireplaces.

### **Connecting the Vent Pipe**

Install the 3-inch flexible vent pipes down through the chimney. Attach and secure the bottom ends of the flex pipes to the starting collars on the unit with 3 sheetmetal screws on each collar. Slide the gas insert into place, and position any excess flex vent pipe back up into the chimney.

**NOTE:** Optional ZC-ADP Kit can be attached to the top of the unit and will increase the depth of the unit's starting collars if needed. See Figures 4 and 5.

Attach the pipe-to-cap adaptor to the termination cap and the top of the flexible vent pipe and set the cap in place at the top of the chimney. See Figures 3, 4 & 5.

**CAUTION**

**TO AVOID DOWNDRAFTS AND/OR COLD AIR PROBLEMS, IT IS RECOMMENDED TO SEAL OFF THE AREA BETWEEN THE TERMINATION CAP AND THE TOP OF THE SOLID-FUEL CHIMNEY OPENING INTO WHICH THE VENT CAP HAS BEEN INSTALLED.**

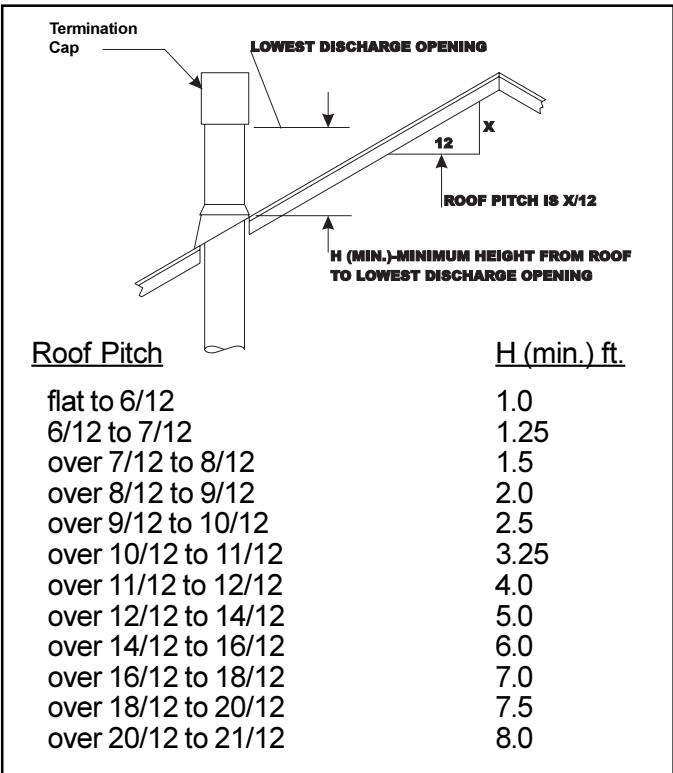
**WHEN USING THE LINK-DV4-30 VENT SYSTEM, IT IS REQUIRED TO SEAL AROUND THE FLEXIBLE VENT PIPES IN THE DAMPER AREA. SEE FIGURE 3. USE FIBERGLASS INSULATION OR OTHER SUITABLE NON-COMBUSTIBLE MATERIAL.**

VENT SYSTEM APPROVALS	
AT-ZC	LINK-DV30
	LINK-DV4-30

**TABLE 1**

**⚠ WARNING: MAJOR U.S. BUILDING CODES SPECIFY MINIMUM CHIMNEY AND/OR VENT HEIGHT ABOVE THE ROOF TOP. THESE MINIMUM HEIGHTS ARE NECESSARY IN THE INTEREST OF SAFETY. FIGURE 2 SHOWS MINIMUM HEIGHTS, PROVIDED THE TERMINATION CAP IS AT LEAST 8-FEET FROM A VERTICAL WALL.**

**NOTE:** This also pertains to vertical vent systems installed on the outside of the building.



**Figure 2. Minimum Height from Roof to Lowest Discharge Opening**

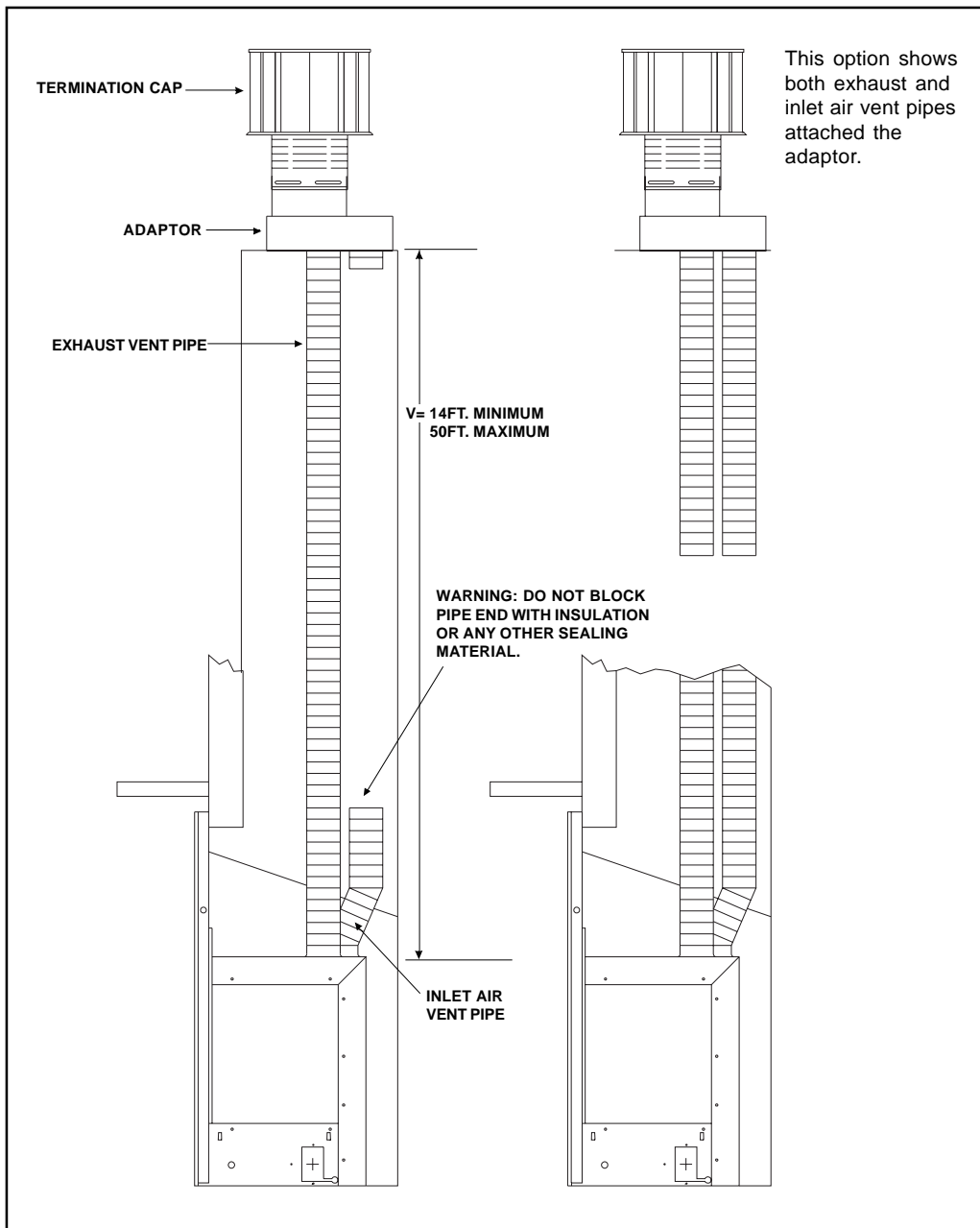
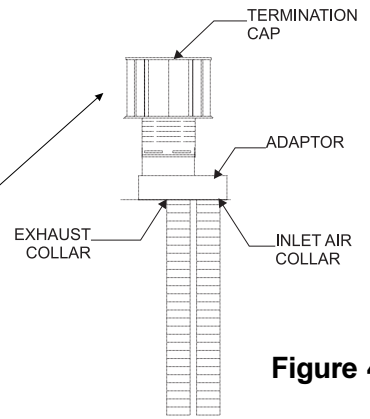


Figure 3.

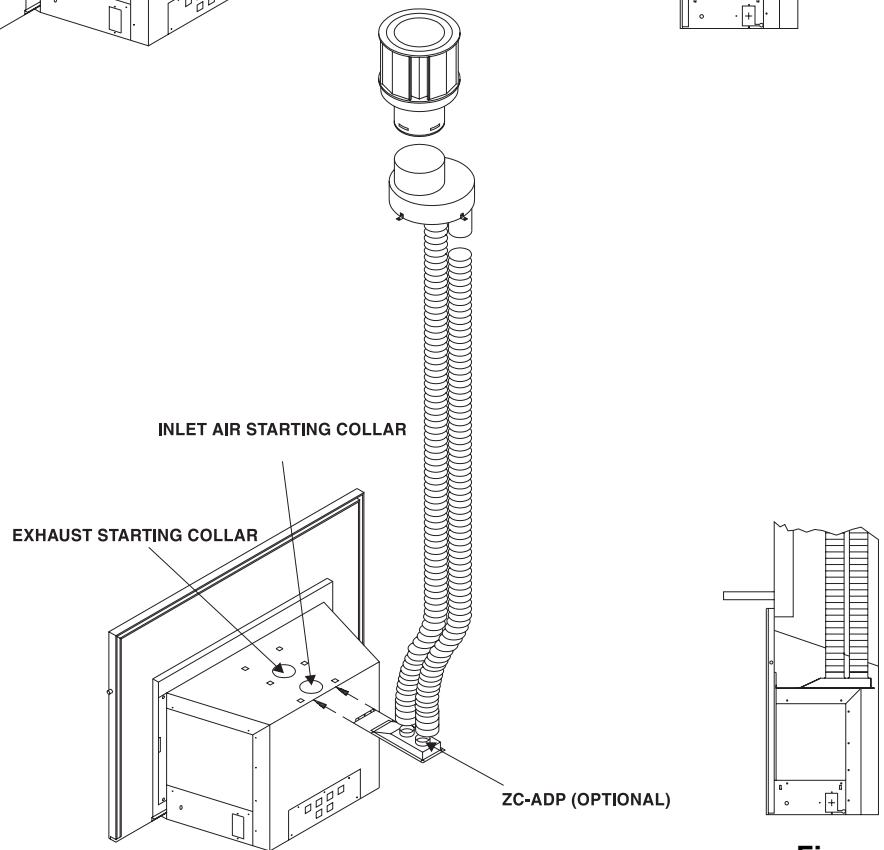
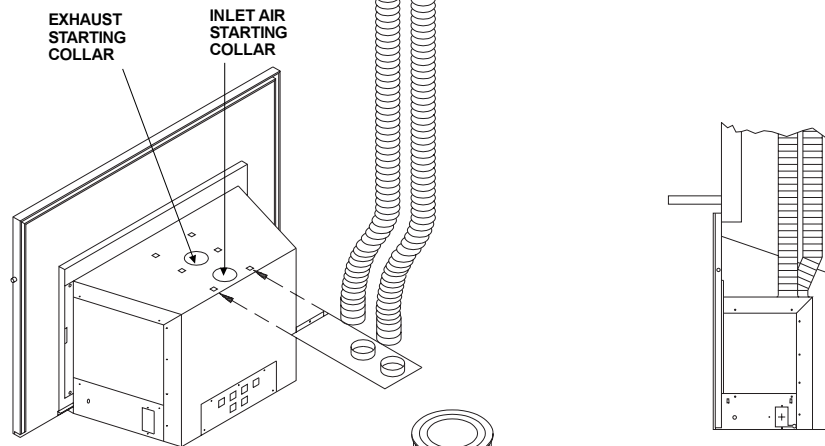


**WARNING**  
**THE EXHAUST PIPE MUST ONLY BE CONNECTED TO THE EXHAUST STARTING COLLAR OF THE UNIT AND THE CENTER COLLAR OF THE TERMINATION CAP.**

**THE INLET AIR PIPE MUST ONLY BE CONNECTED TO THE INLET AIR COLLAR OF THE UNIT AND EITHER ATTACHED TO THE INLET AIR COLLAR OF THE TERMINATION CAP OR TERMINATED IN THE CHIMNEY.**



**Figure 4**



**Figure 5**

## Step 2 Positioning, Leveling, and Securing the Insert

1. Place the insert into position.
2. Level the insert from side to side and from front to back.
  - If necessary use the legs included in the manual bag. Screw the legs into the nuts installed in the bottom rear of the insert. Turn legs in until insert is level.

## Step 3 The Gas Control Systems



**WARNING**  
**THIS UNIT IS NOT FOR USE WITH**  
**SOLID FUEL.**

The gas control systems used with this model is Standing Pilot Ignition.

### Standing Pilot Ignition System

This system includes millivolt control valve, standing pilot, thermopile/thermocouple flame sensor, and piezo ignitor.



**WARNING**  
**110-120 VAC MUST NEVER BE**  
**CONNECTED TO A CONTROL VALVE IN**  
**A MILLIVOLT SYSTEM.**

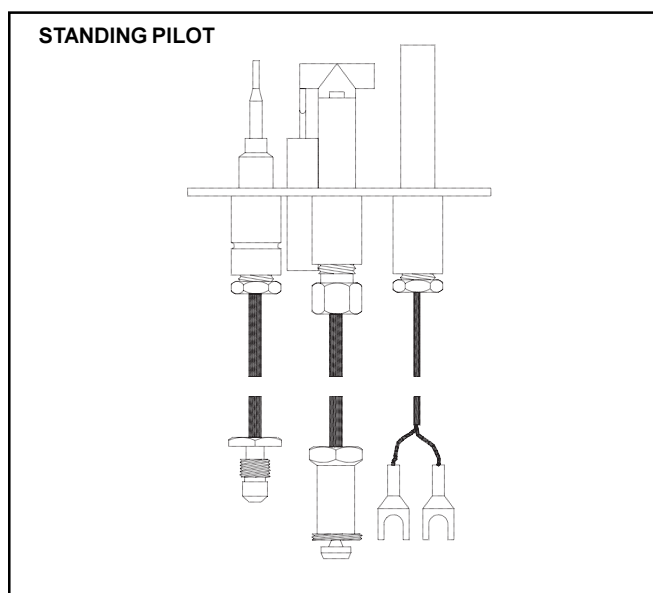


Figure 6. Gas Controls Systems

## Step 4 The Gas Supply Line

**NOTE:** Have the gas supply line installed by a qualified service technician in accordance with all building codes.

**NOTE:** Before the first firing of the fireplace, the gas supply line should be purged of any trapped air.

**NOTE:** Consult local building codes to properly size the gas supply line leading to the 1/2 inch (13 mm) hook-up at the unit.

This gas fireplace is designed to accept a 1/2 inch (13 mm) gas supply line.

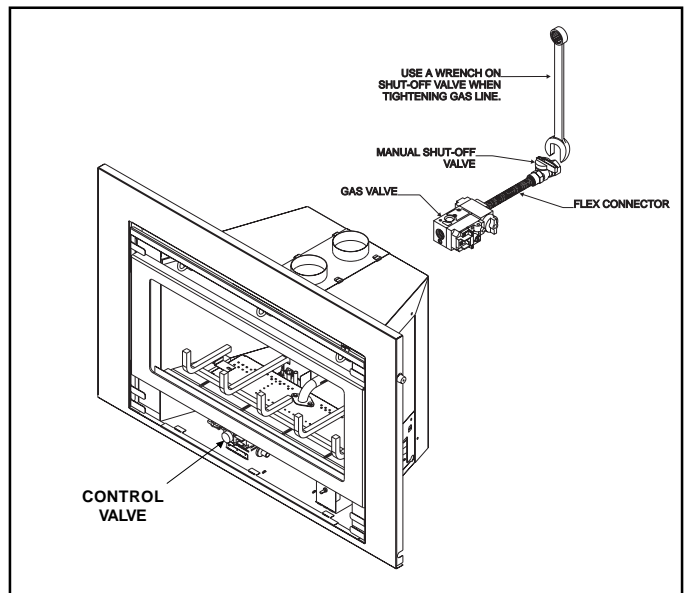
To install the gas supply line:

- A listed 1/2 inch (13 mm) manual shut-off valve and a listed flexible gas connector are connected to the 3/8 inch inlet of the control valve.
- A 1/8 inch (3 mm) N.P.T. plugged tapping, accessible for test gauge connection, should be provided for in the gas supply line leading to the unit's shut-off valve.
- Locate the gas line access hole in the outer casing of the insert.
- Open the lower grille, insert the gas supply line through the gas line hole, and connect it to the shut-off valve.
- When attaching the pipe, support the control so that the lines are not bent or torn.
- After the gas line installation is complete, use a soap solution to carefully check all gas connections for leaks.



**WARNING**  
**DO NOT USE AN OPEN FLAME TO**  
**CHECK FOR GAS LEAKS.**

The gas line should be installed by a qualified service technician.



**Figure 7. Gas Supply Line**

## Step 5 Gas Pressure Requirements

Pressure requirements for Heat-N-Glo gas appliances are shown in the table below.

Pressure	Natural Gas	Propane
Minimum Inlet Pressure	5.0 inches w.c.	11.0 inches w.c.
Maximum Inlet Gas Pressure	14.0 inches w.c.	14.0 inches w.c.
Manifold Pressure	3.5 inches w.c.	10.0 inches w.c.

A one-eighth (1/8) inch (3 mm) N.P.T. plugged tapping is provided on the outlet side of the gas control for a test gauge connection to measure the manifold pressure. To measure inlet pressure, provisions must be made to attach a test gauge to a one-eighth (1/8) inch (3 mm) N.P.T. plugged tapping immediately upstream of the gas supply connection to the fireplace. On some models there may be a tap for the manifold and inlet pressure on the face of the valve. Use a small flat blade screwdriver to open the needle valve tap. Position a rubber hose over the tap to obtain the pressure reading.

The fireplace and its individual shut-off valve must be disconnected from the gas supply piping system during any pressure testing of the system at test pressures in excess of one-half (1/2) psig (3.5 kPa).

The fireplace must be isolated from the gas supply piping system by closing its individual shut-off valve during any pressure testing of the gas supply piping system at test pressures equal to or less than one-half (1/2) psig (3.5 kPa).

## Step 6 Wiring the Fireplace

**NOTE: Electrical wiring must be installed by a licensed electrician.**

***DISCONNECT REMOTE CONTROLS IF YOU ARE ABSENT FOR EXTENDED TIME PERIODS. THIS WILL PREVENT ACCIDENTAL FIREPLACE OPERATION.***

### For Standing Pilot Ignition Wiring

#### Appliance Requirements

- This appliance **DOES NOT** require 110-120 VAC to operate.



**WARNING  
DO NOT CONNECT 110-120 VAC TO THE GAS CONTROL VALVE OR THE APPLIANCE WILL MALFUNCTION AND THE VALVE WILL BE DESTROYED.**

### Optional Accessories

Optional fan and remote control kits require that 110-120 VAC be supplied to the factory installed junction box. Run the cord out the notch in the surround and plug into a convenient outlet.

### Remote Wall Switch

Position the remote wall switch in the desired position on a wall. Run a maximum of 25 feet (7.8 m) or less length of 18 A.W.G. minimum wire and connect it to the fireplace valve pigtails.



### WARNING

**DO NOT CONNECT 110-120 VAC TO THE REMOTE WALL SWITCH OR THE CONTROL VALVE WILL BE DESTROYED.**

### CAUTION

***LABEL ALL WIRES PRIOR TO DISCONNECTION WHEN SERVICING CONTROLS. WIRING ERRORS CAN CAUSE IMPROPER AND DANGEROUS OPERATION. VERIFY PROPER OPERATION AFTER SERVICING.***

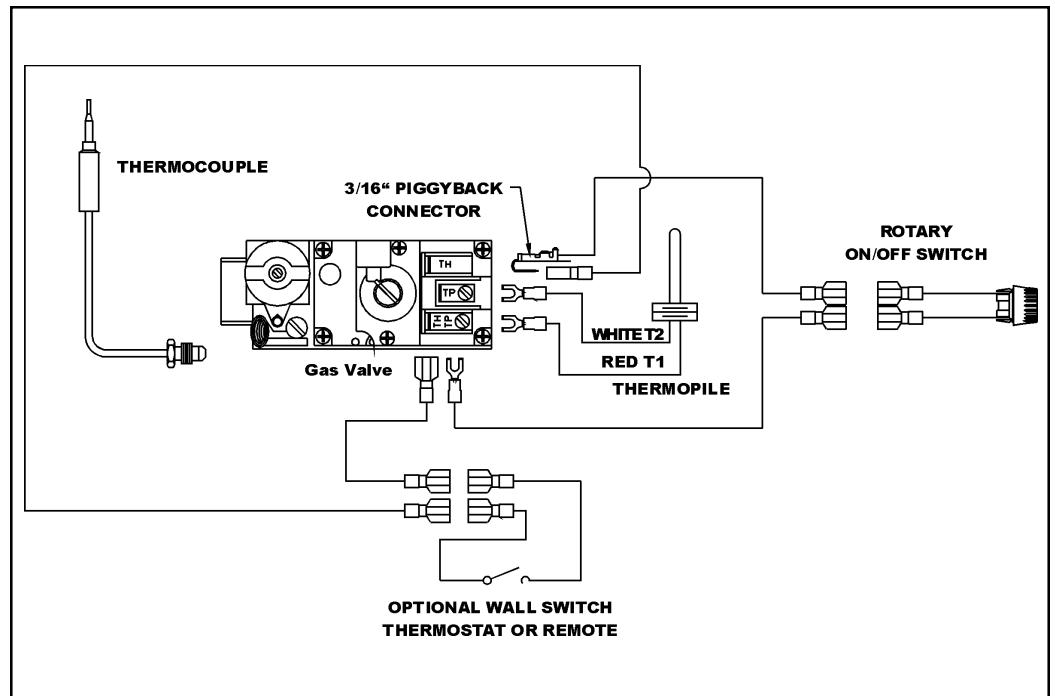
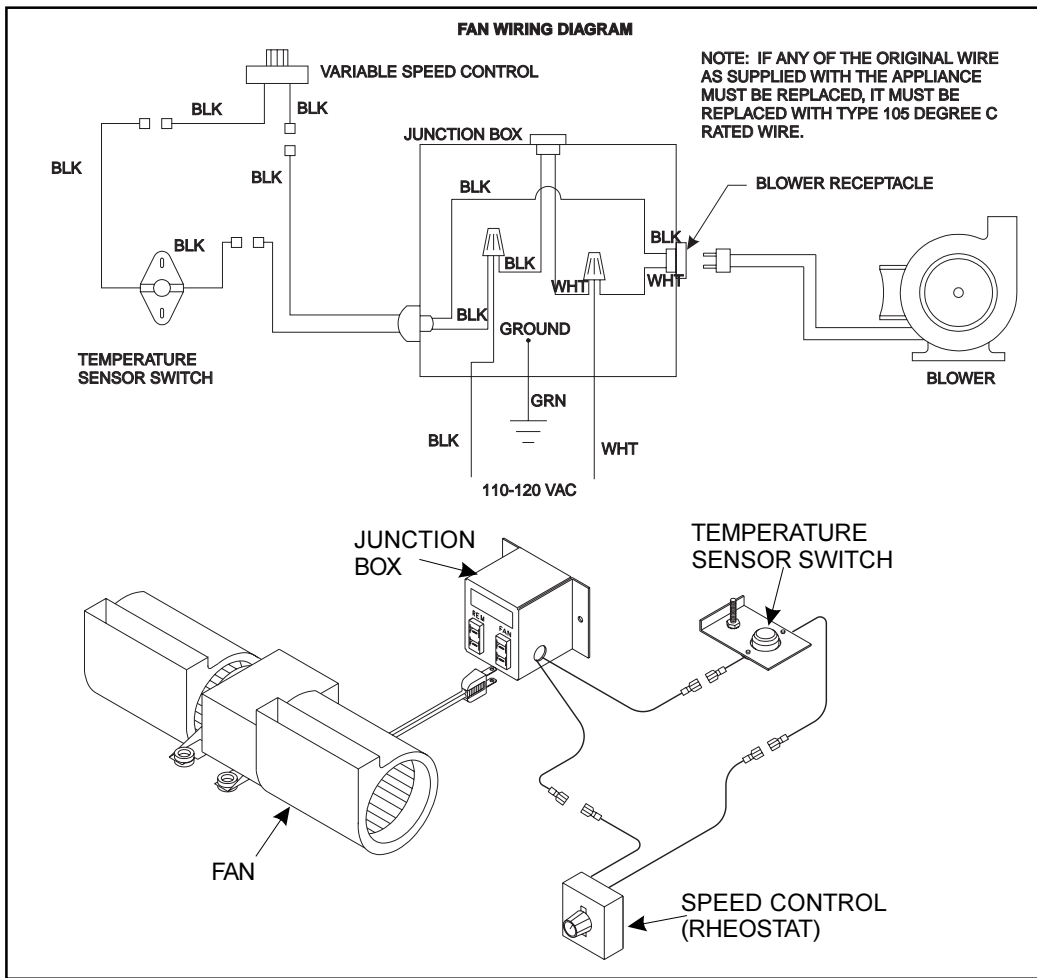


Figure 8. Standing Pilot Ignition Wiring Diagram





**Figure 9. Fan Wiring Diagram**

## Step 7 Installing Logs and Ember Material

### Positioning the Logs

If the gas logs have been factory installed they should not need to be positioned.

If the logs have been packaged separately, refer to the installation instructions that accompany the logs.

**Save the log instructions with this manual.**

If sooting occurs, the logs might need to be repositioned slightly to avoid excessive flame impingement.

### Placing the Ember Material

Two separate bags of ember material are shipped with this gas appliance:

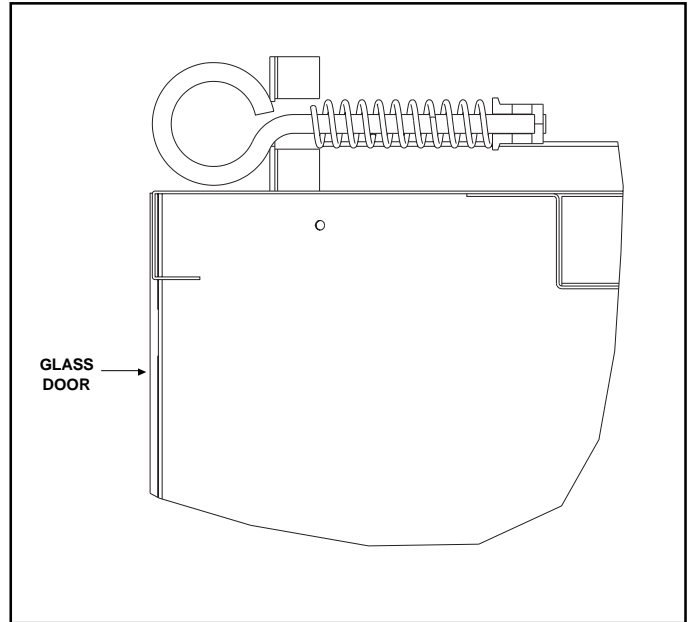
- The bag labeled Golden Ember (GE-93) is flame colorant material.
- The bag labeled Glowing Ember (050-721) is standard glowing ember material.

To place the ember material:

- Remove the trim door by lifting up and removing from the unit.
- Pull out and rotate the three glass release eye bolts at the top of the glass.

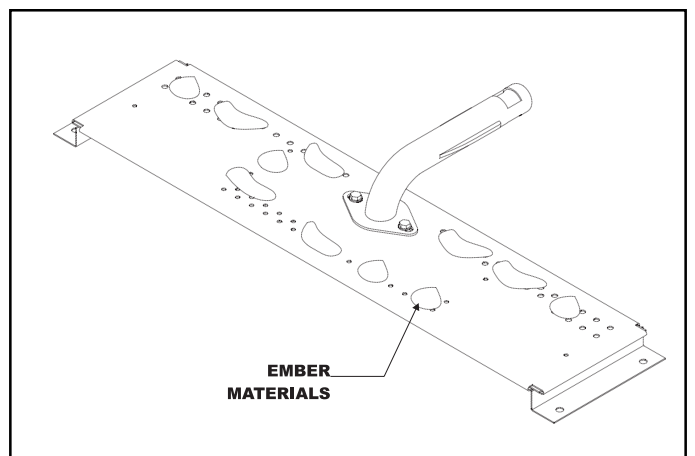
- Remove the glass door from the unit.
- Cover the top of the burner with a single layer of ember material. Then sprinkle GE-93 on top of the burner.
- Save the remaining ember materials for use during fireplace servicing.
- Replace the glass door.
- Reset the three glass eye bolts, be sure they are securely latched.
- Replace the trim door.

1. Lift the top trim door up and out of the unit.
2. Pull out and rotate glass release eye bolts at the top edge and remove the glass door from the unit.



**Figure 10. Glass Assembly**

1. Place the ember material onto the top of the burner.



**Figure 11. Placement of the Ember Material**

## Step 8 Installing Trim Surrounds

Combustible materials **MUST NEVER** overlap onto the front face.



**WARNING - WHEN FINISHING THE FIREPLACE INSERT, NEVER OBSTRUCT OR MODIFY THE AIR INLET/OUTLET GRILLES ON THE INSERT IN ANY MANNER.**

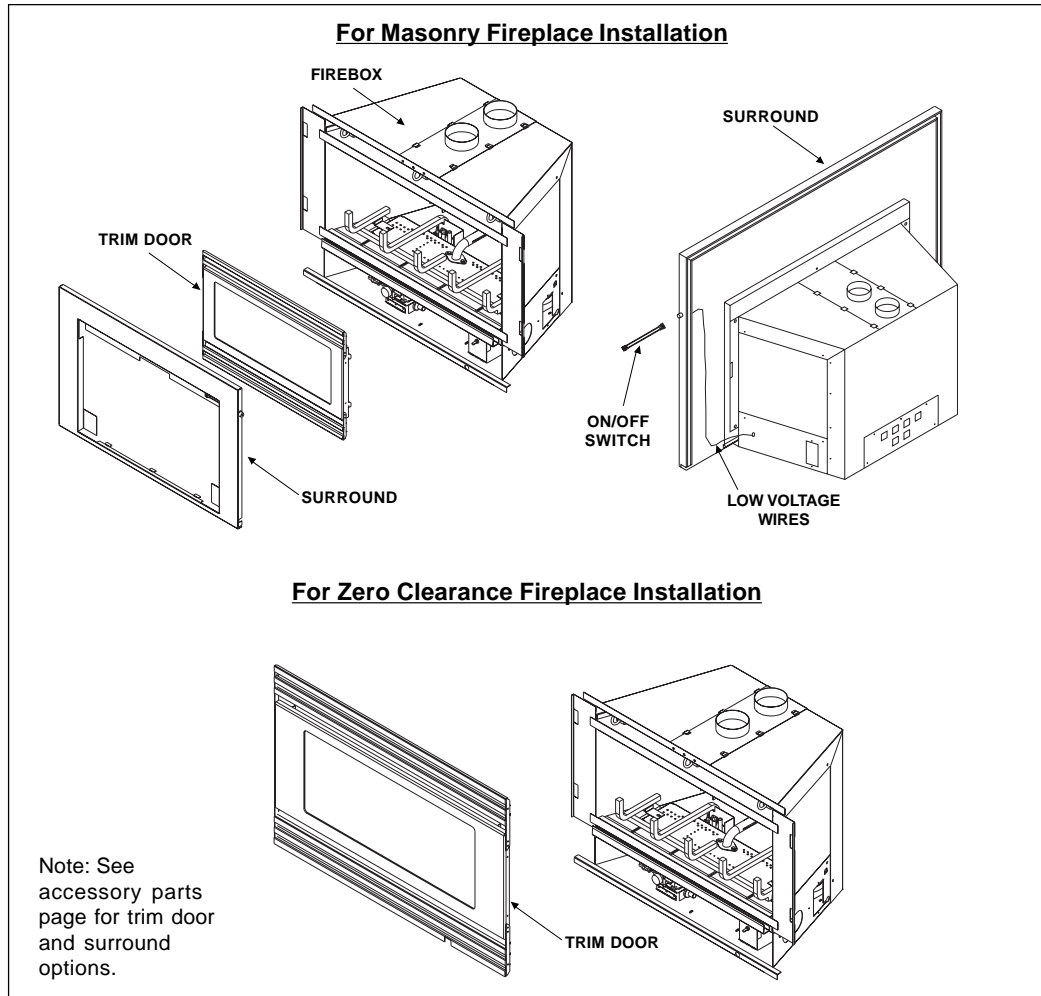


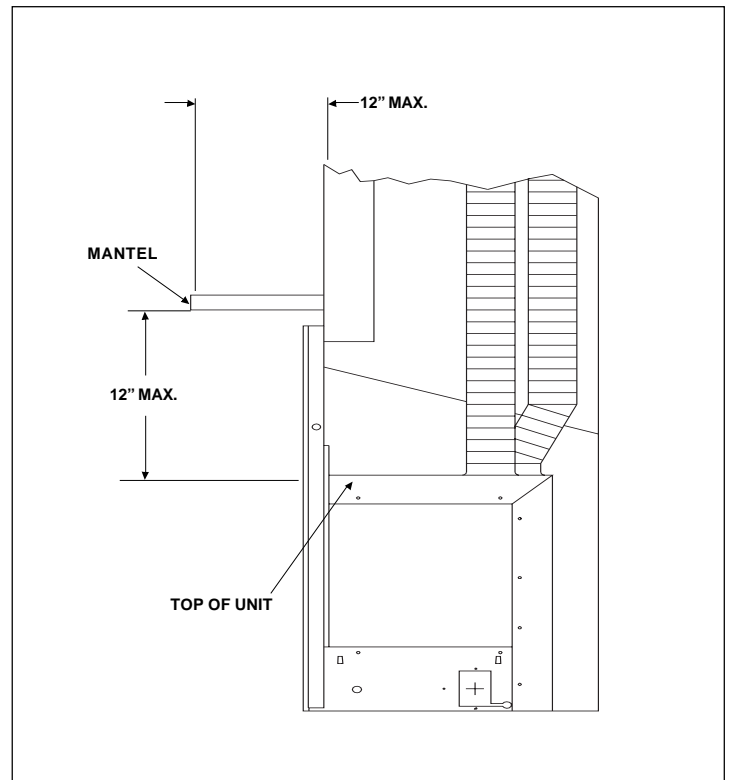
Figure 12

**NOTE: REMOVE FRONT TRIM DOOR AND GLASS DOOR ASSEMBLIES FROM THE INSERT BEFORE SURROUND INSTALLATION.**

1. Find the coiled low voltage wires and ON/OFF switch attached to outer right side of the insert. See Figure 12.
2. Disconnect the ON/OFF switch from the low voltage wire leads, and insert the short wires of the ON/OFF switch through the hole at the upper right corner of the surround and push the back of the switch through the hole - it will be retained in the hole.

3. Run the low voltage lead wires up the back of the right side of the surround and secure them with the three wire ties found there. Re-connect the low voltage wires to the short wires of the ON/OFF switch.
4. Position surround on face of unit by hooking surround behind top ledge on unit. Then push flush on unit and secure by bending three holding tabs downward.

**NOTE: PLACE THE THREE INSULATION PIECES INTO THE CAVITIES AT THE BACK OF THE SURROUND BEFORE POSITIONING THE INSERT INTO THE FACTORY-BUILT OR MASONRY FIREPLACE. THIS INSULATION WILL HELP SEAL FOR COLD AIR LEAKS.**



**Figure 13**

Figure 13 shows the minimum vertical and corresponding maximum horizontal dimensions of mantels or other combustible projections above the gas fireplace.

## Step 9 Before Lighting the Appliance

Before lighting the appliance, be sure to do the following:

### Review safety warnings and cautions

- Read the **Safety and Warning Information** section at the beginning of this *Installers Guide*.

### Double-check for gas leaks

- Before lighting the appliance, double-check the unit for possible gas leaks.

### Double-check vent terminations and front grilles for obstructions.

- Before lighting the appliance, double-check the unit for possible obstructions that could be blocking the vent terminations or the front grilles.

### Double-check for faulty components

- Any component that is found to be faulty **MUST BE** replaced with an approved component. Tampering with the appliance components is **DANGEROUS** and voids all warranties.

A small amount of air will be in the gas supply lines. When first lighting the appliance, it will take a few minutes for the lines to purge themselves of this air. Once the purging is complete, the appliance will light and will operate normally.

Subsequent lightings of the appliance will not require this purging of air from the gas supply lines, **unless the gas valve has been turned to the OFF position**, in which case the air would have to be purged.

You've reviewed all safety warnings, you've checked the appliance for gas leaks, you know the vent system is unobstructed, and you've checked for faulty components. Now you're ready to light the appliance.

## Step 10 Lighting the Appliance



### WARNING

PLEASE REFER TO THE USER'S MANUAL FOR ALL CAUTIONS, SAFETY, AND WARNING INFORMATION PERTAINING TO THE LIGHTING AND OPERATION OF THE APPLIANCE.

## After the Installation

LEAVE THIS INSTALLATION MANUAL WITH THE APPLIANCE FOR FUTURE REFERENCE.

# 4

## Maintaining and Servicing Your Appliance

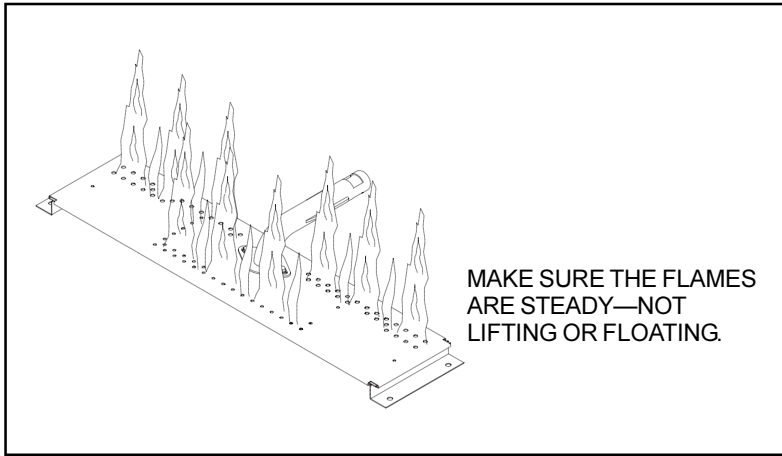
### Appliance Maintenance

Although the frequency of servicing and maintenance will depend on use and the type of installation, you should have a qualified service technician perform an appliance check-up at the beginning of each heating season. See the table below for specific guidelines regarding each maintenance task.

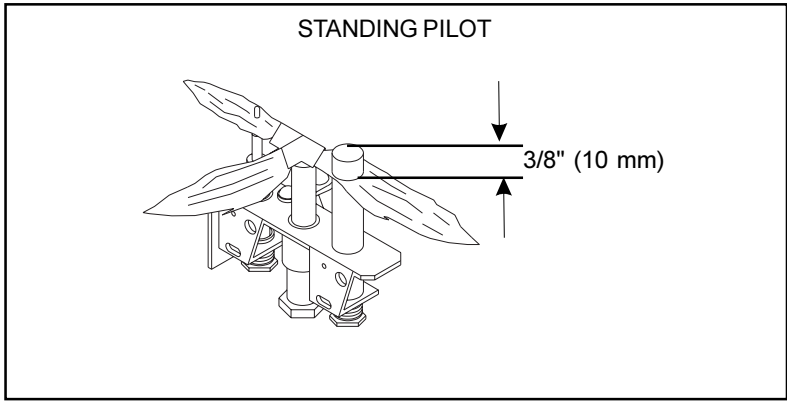
#### **IMPORTANT**

*TURN OFF THE GAS BEFORE SERVICING YOUR APPLIANCE.*

Type of Fireplace Maintenance	Frequency	By	Fireplace Maintenance Task To Be Completed
<b>Replacing Old Ember Material</b>	Once annually, during the annual check-up	Qualified Service Technician	Brush away loose ember material near the burner. Replace old ember material with new dime-size and -shape pieces of Golden Ember (GE-93) and Glowing Ember (050-721). New ember material should be placed alternately on top of the burner—a layer of Golden Ember, a layer of Glowing Ember, and so on. Save the remaining ember material and repeat this procedure at your next servicing. For more information, see <b>Placing Ember Material</b> in the <b>INSTALLERS GUIDE</b> .
<b>Cleaning Burner &amp; Controls</b>	Once annually	Qualified Service Technician	Brush or vacuum the control compartment, fireplace logs, and burner areas surrounding the logs.
<b>Checking Flame Patterns, Flame Height</b>	Periodically	Qualified Service Technician/ Owner	Make a visual check of your fireplace's flame patterns. Make sure the flames are steady—not lifting or floating. See the picture in Figure 14. The flame sensor (DSI) or thermopile/thermocouple (standing pilot) tips should be covered with flame. See the picture in Figure 15.
<b>Checking Vent System</b>	Before initial use and at least annually thereafter, more frequently if possible	Qualified Service Technician/ Owner	Inspect the external vent cap on a regular basis to ensure that no debris is interfering with the flow of air. Inspect venting system for proper function.
<b>Cleaning Glass Door</b>	As necessary	Homeowner	Clean as necessary, particularly after adding new ember (flame colorant) material. Film deposits on the inside of the glass door should be cleaned off using a household glass cleaner. <b>NOTE: DO NOT handle or attempt to clean the door when it is hot and DO NOT use abrasive cleaners.</b>



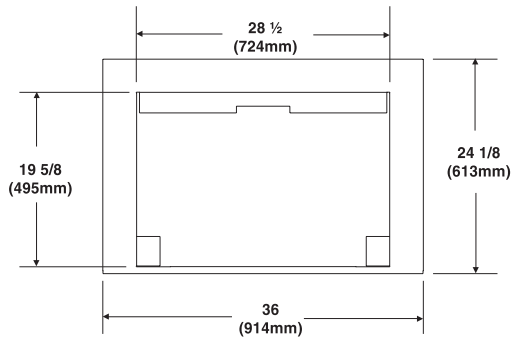
**Figure 14. Burner Flame Patterns**



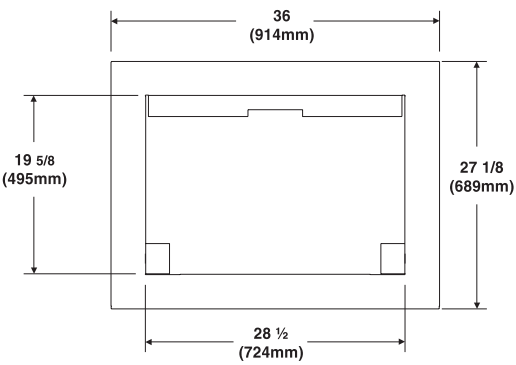
**Figure 15. Pilot/Ignitor Flame Patterns**

# Accessories - (Continued)

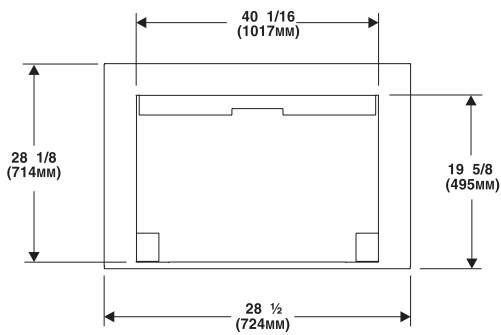
**ZC-3624-3**



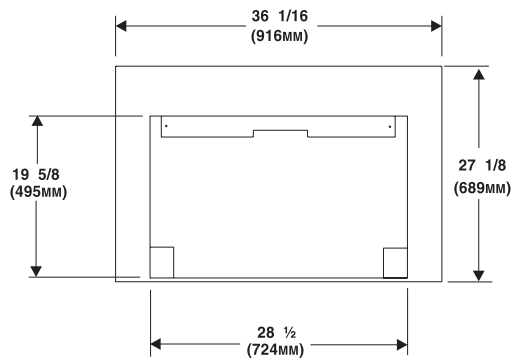
**ZC-3627-4**



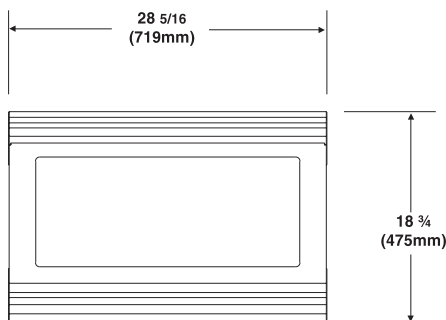
**ZC-4028-3**



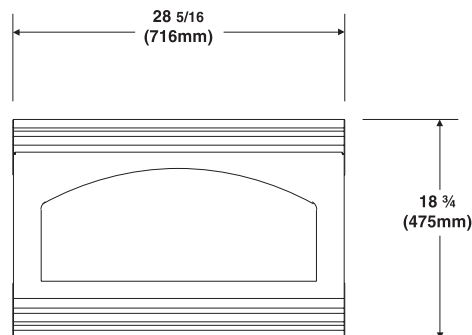
**ZC-3627-3**



**DF-ZC Trim Door**



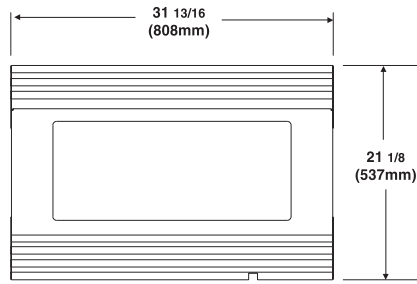
**DF-ZC-Carch Trim Door**



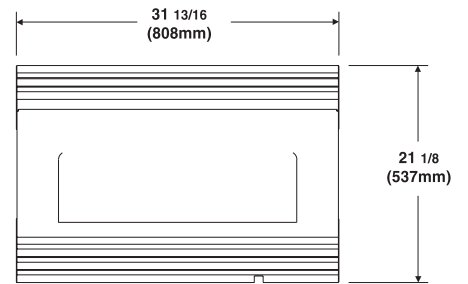


## Accessories - (Continued)

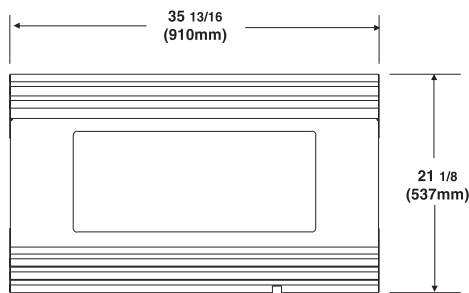
**DF-ZC32- Trim Door**



**DF-ZC32-Carch Trim Door**



**DF-ZC36- Trim Door**



**DF-ZC36- Carch Door**

