

Installation Manual

Installation and Fireplace Setup

Pour demander un exemplaire en français de ce Manuel du propriétaire, visitez www.heatnglo.com/translations.

INSTALLER: Leave this manual with party responsible for use and operation.

OWNER: Retain this manual for future reference.

NOTICE: DO NOT discard this manual!



Model(s):

ODVILLAG-36T

ODVILLAG-36H

ODVILLAG-42T

ODVILLAG-42H

Outdoor Decorative Gas Appliance

⚠ WARNING



HOT SURFACES!

Glass and other surfaces are hot during operation AND cool down.

Hot glass will cause burns.

- **DO NOT** touch glass until it is cooled
- **NEVER** allow children to touch glass
- Keep children away

- **CAREFULLY SUPERVISE** children in same area as fireplace.
- Alert children and adults to hazards of high temperatures.

High temperatures may ignite clothing or other flammable materials.

- Keep clothing, furniture, draperies and other flammable materials away.

⚠ WARNING: If the information in this manual is not followed exactly, a fire or explosion may result causing property damage, personal injury, or loss of life.

⚠ DANGER

FIRE OR EXPLOSION HAZARD

If you smell gas:

- Shut off gas to the appliance.
- Extinguish any open flame.
- If odor continues, leave the area immediately.
- After leaving the area, call your gas supplier or fire department.
- Failure to follow these instructions could result in fire or explosion, which could cause property damage, personal injury, or death.

⚠ WARNING

Do not store or use gasoline or other flammable vapors and liquids in the vicinity of this or any other appliance

An LP-cylinder not connected for use shall not be stored in the vicinity of this or any other appliance.

⚠ WARNING: For outdoor use only.

Installation and service must be performed by a qualified installer, service agency, or the gas supplier.

⚠ WARNING: Improper installation, adjustment, alteration, service or maintenance can cause injury or property damage. Read the installation, operating and maintenance instructions thoroughly before installing or servicing this equipment.

This appliance is only for use with the type(s) of gas indicated on the rating plate. This appliance is not convertible for use with other gases, unless a certified kit is used.

NOT for use with solid wood fuel.

⚠ DANGER



CARBON MONOXIDE HAZARD

This appliance can produce carbon monoxide which has no odor.

Using it in an enclosed space can kill you.

Never use this appliance in an enclosed space such as a camper, tent, car or home.

Safety Alert Key:

- **DANGER!** Indicates a hazardous situation which, if not avoided will result in death or serious injury.
- **WARNING!** Indicates a hazardous situation which, if not avoided could result in death or serious injury.
- **CAUTION!** Indicates a hazardous situation which, if not avoided, could result in minor or moderate injury.
- **NOTICE:** Indicates practices which may cause damage to the fireplace or to property.

Table of Contents

1 Welcome		6 Finishing	
A. Congratulations	4	A. Facing Material	16
Listing Label Information/Location	4	B. Mantel and Wall Projections	17
B. Warranty	5	C. Good Faith TV Guidelines	18
2 Product Specific & Important Safety Information		7 Appliance Setup	
A. Appliance Certification	7	A. Remove the Shipping Materials	20
B. BTU Specifications	7	B. Clean the Appliance	20
C. Non-Combustible Materials	7	D. Install Gas Hearth Kit (provided)	20
D. Combustible Materials	7	E. Install Mesh Door (optional)	20
E. High Altitude Installations	7	8 Maintenance and Service	
3 Getting Started		9 Reference Materials	
A. Design and Installation Considerations	8	A. Service Parts	22
Moisture Resistance	8	B. Accessories	28
B. Inspect Appliance and Components	8	C. Contact Information	29
4 Framing and Clearances			
A. Appliance Dimension/Weight Diagram	9		
B. Clearances to Combustibles	10		
C. Vent Termination Minimum Clearances	12		
▶ D. Constructing the Appliance Enclosure	13		
E. Securing and Leveling the Appliance	13		
F. Non-Combustible Material Installation	13		
5 Gas Information			
A. Fuel Conversion	14		
B. Gas Pressure	14		
C. Gas Connections Provision	14		
D. High Altitude Installations	15		
E. Air Shutter Setting	15		

ATTENTION INSTALLER: Follow this Standard Work Checklist

This standard work checklist is to be used by the installer in conjunction with, not instead of, the instructions contained in this installation manual.

Customer: _____	Date Installed: _____
Lot/Address _____ _____	Location of Appliance _____
	Installer: _____
	Dealer/Distributor Phone # _____
Model (circle one): ODVILLAG-36T	
ODVILLAG-36H	Serial #: _____
ODVILLAG-42T	
ODVILLAG-42H	

WARNING! Risk of Fire or Explosion! Failure to install fireplace according to these instructions can lead to a fire or explosion.

<u>Appliance Install</u>	YES	IF NO, WHY?
The enclosure is sealed. (Pg. 8)	<input type="checkbox"/>	_____
Required non-combustible board is installed (if applicable). (Pg. 13)	<input type="checkbox"/>	_____
Verified clearances to combustibles. (Pg. 10)	<input type="checkbox"/>	_____
Appliance is leveled and secured. (Pg. 12)	<input type="checkbox"/>	_____

Finishing Section 6 (Pg. 16)		
Combustible materials not installed in non-combustible areas.	<input type="checkbox"/>	_____
Verified all clearances meet installation manual requirements.	<input type="checkbox"/>	_____
Mantels and wall projections comply with installation manual requirements.	<input type="checkbox"/>	_____

Appliance Setup Section 7 (Pg. 18)		
All packaging and protective materials removed.	<input type="checkbox"/>	_____
Refractory, logs, media and embers installed correctly.	<input type="checkbox"/>	_____
Optional mesh doors properly installed.	<input type="checkbox"/>	_____
Manual bag and all of its contents are removed from the fireplace and given to the party responsible for use and operation.	<input type="checkbox"/>	_____
Started appliance and verified no gas leaks exist.	<input type="checkbox"/>	_____

- Hearth & Home Technologies recommends the following:**
- Photographing the installation and copying this checklist for your file.
 - That this checklist remain visible at all times on the fireplace until the installation is complete.

Comments: Further description of the issues, who is responsible (Installer/Builder/Other Trades, etc.) and corrective action needed:

Comments communicated to party responsible _____ by _____ on _____
(Builder/Gen. Contractor) (Installer) (Date)

4072-171 • Rev B • 09/28/15

1 Welcome

Read this manual before installing or operating this fireplace.
Please retain this owner's manual for future references.

A. Congratulations

Congratulations on selecting a Outdoor Lifestyles decorative gas appliance. The HHT gas appliance you have selected is designed to provide the utmost in safety and reliability.

As the owner of a new gas appliance, you'll want to read and carefully follow all of the instructions contained in this Owner's Manual. Pay special attention to all Cautions and Warnings.

This Owner's Manual should be retained for future reference. We suggest that you keep it with your other important documents and product manuals.

Your new Outdoor Lifestyles decorative gas appliance will give you years of durable use and trouble-free enjoyment.

Outdoor Lifestyles is a registered trademark of Hearth & Home Technologies.

Local Dealer Information

DEALER: Fill in your name, address, phone and e-mail information here and fireplace information below.

Dealer Name: _____
 Address: _____


 Phone: _____
 E-mail: _____

Fireplace Information:

Brand: _____ Model Name: _____
 Serial Number: _____ Date Installed: _____


Listing Label Information/Location

The model information regarding your specific fireplace can be found on the rating plate usually located in the control area of the fireplace.



Outdoor Lifestyles by
Hearth & Home Technologies
7571-215th St. West, Lakeville, MN 55044

This appliance must be installed in accordance with local codes, if any; if not, follow ANSI Z223.1 in the USA installation codes.

GAS-FIRED

 LISTED
 MH61458

ANSI Z21.97-2017
 CSA 2.41-2017
 Outdoor Decorative
 Gas Appliances

Serial Number → [] **Fireplace Model** → []

<p>Outdoor decorative gas appliance - for outdoor use only. Not for use with solid fuel. (Foyer au gaz à évacuation - pour installation à l'extérieur seulement. Ne doit pas être utilisé avec un combustible solide.)</p>	<table border="0" style="width: 100%;"> <tr> <td style="width: 50%;">Natural Gas</td> <td style="width: 50%;">Propane Gas</td> </tr> <tr> <td>Min. Gas Supply for Input Adj.: 5.0 in. w.c. (1.24 kPa)</td> <td>11.0 in. w.c. (2.74 kPa)</td> </tr> <tr> <td>Max. Gas Supply 10.0 in. w.c. (2.49 kPa)</td> <td>13.0 in. w.c. (3.23 kPa)</td> </tr> <tr> <td>Max. Input (36 in.): 40,000 BTU/hr (11.72 kW)</td> <td>40,000 BTU/hr (11.72 kW)</td> </tr> <tr> <td>Max. Input (42 in.): 42,000 BTU/hr (12.31 kW)</td> <td>42,000 BTU/hr (12.31 kW)</td> </tr> </table>	Natural Gas	Propane Gas	Min. Gas Supply for Input Adj.: 5.0 in. w.c. (1.24 kPa)	11.0 in. w.c. (2.74 kPa)	Max. Gas Supply 10.0 in. w.c. (2.49 kPa)	13.0 in. w.c. (3.23 kPa)	Max. Input (36 in.): 40,000 BTU/hr (11.72 kW)	40,000 BTU/hr (11.72 kW)	Max. Input (42 in.): 42,000 BTU/hr (12.31 kW)	42,000 BTU/hr (12.31 kW)	<p>Model (Modele):</p> <p><input type="checkbox"/> ODVILLAG-36T</p> <p><input type="checkbox"/> ODVILLAG-36H</p> <p><input type="checkbox"/> ODVILLAG-42T</p> <p><input type="checkbox"/> ODVILLAG-42H</p>
Natural Gas	Propane Gas											
Min. Gas Supply for Input Adj.: 5.0 in. w.c. (1.24 kPa)	11.0 in. w.c. (2.74 kPa)											
Max. Gas Supply 10.0 in. w.c. (2.49 kPa)	13.0 in. w.c. (3.23 kPa)											
Max. Input (36 in.): 40,000 BTU/hr (11.72 kW)	40,000 BTU/hr (11.72 kW)											
Max. Input (42 in.): 42,000 BTU/hr (12.31 kW)	42,000 BTU/hr (12.31 kW)											

<p>WARNING! Improper installation, adjustment, alteration, service or maintenance can cause property damage, personal injury or loss of life. Refer to the owner's information manual provided with this appliance. Installation and service must be performed by a qualified installer, service agency, or gas supplier.</p>	<p>WARNING! DO NOT store or use gasoline or other flammable vapors and liquids in the vicinity of this or any other appliance. An LP-cylinder not connected for use shall not be stored in the vicinity of this or any other appliance.</p>
<p>AVERTISSEMENT! Une installation, un ajustement, une modification, un service ou un entretien inadéquats peuvent causer des dommages matériels, des blessures corporelles ou des pertes de vie. Consultez le manuel d'information du propriétaire fourni avec cet appareil. L'installation et le service doivent être effectués par un installateur qualifié, une agence de service ou un fournisseur de gaz.</p>	<p>AVERTISSEMENT! Ne pas entreposer ni utiliser de l'essence ni d'autres vapeurs ou liquides inflammables dans le voisinage de l'appareil, ni de tout autre appareil. Une bouteille de propane qui n'est pas raccordée en vue de son utilisation, ne doit pas être entreposée dans le voisinage de cet appareil ou de tout autre appareil.</p>

This product is covered by one or more of the following patents: (Nos produits sont couverts par un ou plusieurs des brevets suivants): (United States) 4,112,913; 4,408,594; 4,422,426; 4,424,792; 4,520,791; 4,793,322; 4,862,548; 4,875,464; 5,000,162; 5,016,609; 5,076,254; 5,191,877; 5,218,953; 5,328,396; 5,429,495; 5,452,708; 5,542,407; 5,613,487; (Australia) 543790; 566393; (Canada) 1,123,296; 1,207,746; 2,195,294; (Mexico) 97-0457; (New Zealand) 200265; or other U.S. and foreign patents pending (ou autres brevets américains et étrangers en attente).

B. Warranty

Outdoor Lifestyles by Hearth & Home Technologies™ Limited Lifetime Warranty

Hearth & Home Technologies (“HHT”) extends the following warranty for all Outdoor Lifestyles by HHT™ brand products (“Products”) that are purchased from an HHT authorized dealer.

WARRANTY COVERAGE:

HHT warrants to the original owner of the Product at the site of installation, and to any transferee taking ownership of the Product at the site of installation within one year following the date of original purchase, that the Product will be free from defects in materials and workmanship at the time of manufacture. After installation, if covered components manufactured by HHT are found to be defective in materials or workmanship during the applicable warranty period, HHT will, at its option, repair or replace the covered components. This warranty is subject to conditions, exclusions and limitations as described below.

WARRANTY PERIOD:

The warranty period begins on the earlier of: (i) the date of invoice for the Product; (ii) in the case of new home construction, the date of first occupancy of the residence or six months after the date of sale of the Product by an HHT authorized dealer, whichever occurs first; or (iii) the date 24 months following the date of Product shipment from HHT, regardless of the invoice or occupancy date.

WARRANTY CONDITIONS:

- The Limited Lifetime Warranty covers Products that are purchased through a HHT authorized dealer or distributor. A list of HHT authorized dealers is available on the HHT branded websites.
- This warranty is only valid while the Product remains at the site of original installation.
- Contact your installing dealer for warranty service. If the installing dealer is unable to provide necessary parts, contact the nearest HHT authorized dealer. Additional service fees may apply if you are seeking warranty service from a dealer other than the dealer from whom you originally purchased the Product.
- Check with your dealer in advance for any costs to you when arranging a warranty call. Travel and shipping charges for parts are not covered by this warranty.
- The Product body, metal firebox and heat exchanger carry the Limited Lifetime Warranty from the date of installation.
- The following components do not carry the Limited Lifetime Warranty but are warranted as follows:
 - One Year from Date of Installation:
 - Gas and Electrical Components or Gaskets
 - Nickel Plated Materials
 - Excludes tarnishing
 - Glass Breakage, Logs/Refractory/Glass Panels due to thermal breakage
 - Surface, hairline cracks, scratches and slight color changes are not covered
 - Venting, optional accessories, optional glass doors
 - Labor Associated with Warranty Service Work

WARRANTY EXCLUSIONS:

This warranty does not cover the following:

- Changes in surface finishes as a result of normal use. As a heating appliance, some changes in color of interior and exterior surface finishes may occur; this is not a flaw and not covered under warranty.
- Damage to printed, plated, or enameled surfaces caused by fingerprints, accidents, misuse, scratches, melted items, or other external sources and residues left on surfaces from the use of abrasive cleaners or polishes.
- Repair or replacement of parts that are subject to normal wear and tear during the warranty period. These parts include: paint, firebricks, grates, flame guides and the discoloration of glass.
- Minor expansion, contraction, or movement of certain parts causing noise. These conditions are normal and complaints related to this noise are not covered by this warranty.

- Damages resulting from: (1) failure to install, operate, or maintain the Product in accordance with the installation instructions, operating instructions, and listing agent identification label furnished with the Product; (2) failure to install the Product in accordance with local building codes; (3) shipping or improper handling; (4) improper operation, abuse, misuse, continued operation with damaged, corroded or failed components, accident, or incorrectly performed repairs; (5) inadequate ventilation, negative pressure or environmental conditions, including, without limitation: hail, snow, ice, fallen branches, flooding, water damage and fading of color; (6) use of fuels other than those specified in the operating instructions; (7) installation or use of components not supplied with the Product or any other components not expressly authorized and approved by HHT; (8) modification of the Product not expressly authorized and approved by HHT in writing; and/or (9) interruptions or fluctuations of electrical power supply to the Product.
- Non-HHT venting components, hearth components or other accessories used in conjunction with the Product.
- Any part of a pre-existing fireplace system in which an insert or a decorative gas appliance is installed.
- The Product's capability to heat the desired space. Information is provided to assist the consumer and the dealer in selecting the proper appliance for the application. Consideration must be given to the Product's location and configuration and environmental conditions.

This warranty is void if:

- The Product has been over-fired or operated in atmospheres contaminated by chlorine, fluorine, or other damaging chemicals. Over-firing can be identified by, but not limited to, warped plates or tubes, rust colored cast iron, bubbling, cracking and discoloration of steel or enamel finishes and cracking or spalling of refractory or cementitious materials.
- The Product is subjected to prolonged periods of dampness, condensation, ice or snow.
- There is any damage to the Product or other components due to water or weather damage which is the result of, but not limited to, improper chimney or venting installation.

LIMITATIONS OF LIABILITY:

Repair or replacement in accordance with the provisions of this warranty will be the owner's exclusive remedy for and will constitute HHT's sole obligation under this warranty, under any other warranty (express or implied), or in contract, tort or otherwise; provided, however, that if HHT is unable to provide repair or replacement in an expedient and cost effective manner, HHT may discharge all such obligations by refunding the purchase price of the Product. No employee, agent, dealer, or other person is authorized to give any warranty on behalf of HHT. TO THE EXTENT ALLOWED BY LAW, HHT MAKES NO OTHER WARRANTY, EXPRESS OR IMPLIED, INCLUDING ANY WARRANTY OF MERCHANTABILITY OR FITNESS FOR A PARTICULAR PURPOSE. HHT WILL NOT BE LIABLE FOR ANY CONSEQUENTIAL OR INCIDENTAL DAMAGES ARISING OUT OF DEFECTS IN OR USE OF THE PRODUCTS. Some states do not allow exclusions or limitation of incidental or consequential damages, so these limitations may not apply to you. This warranty gives you specific rights; you also may have other rights, which vary from state to state. The duration of any implied warranty is limited to the duration of the warranty period specified herein.

2 Product Specific & Important Safety Information

A. Appliance Certification

MODELS: ODVILLAG-36T, ODVILLAG-36H,
ODVILLAG-42T, ODVILLAG-42H
LABORATORY: Underwriters Laboratories Inc. (UL)
TYPE: Outdoor Decorative Gas Appliance
STANDARD: ANSI Z21.97-2012/ CSA 2.41-2012

This product is listed to ANSI standards for outdoor decorative gas appliances.

Outdoor Lifestyles is a registered trademark of Hearth & Home Technologies.

When an appliance is for connection to a fixed piping system, the installation must conform with local codes, or in the absence of local codes with the **National Fuel Gas Code, ANSI Z223.1/NFPA 54, or International Fuel Gas Code.**

B. BTU Specifications

This appliance is listed for use with the outdoor decorative hearth kit supplied.

Maximum allowable BTU ratings:

Unit	Max BTU/HR
ODVILLAG-36	40,000
ODVILLAG-42	42,000

C. Non-Combustible Materials

- Materials which will not ignite and burn, composed of any combination of the following:
 - Steel
 - Iron
 - Brick
 - Tile
 - Concrete
 - Slate
 - Glass
 - Plasters
- Materials reported as passing **ASTM E 136, Standard Test Method for Behavior of Metals, in a Vertical Tube Furnace at 750° C**

D. Combustible Materials

- Materials made of or surfaced with any of the following materials:
 - Wood
 - Compressed paper
 - Plant fibers
 - Plastic
 - Plywood/OSB
 - Sheet rock (drywall)
- Any material that can ignite and burn; flame proofed or not, plastered or un-plastered

E. High Altitude Installations

NOTICE: If the heating value of the gas has been reduced, these rules do not apply. Check with your local gas utility or authorities having jurisdiction.

When installing above 2000 feet elevation:

- In the USA: Reduce input rate 4% for each 1000 feet above 2000 feet.
- In CANADA: Input ratings are certified without a reduction of input rate for elevations up to 4500 feet (1370 m) above sea level. Please consult provincial and/or local authorities having jurisdiction for installations at elevations above 4500 feet (1370 m).

Check with your local gas utility to determine proper orifice size.



WARNING: This product and the fuels used to operate this product (liquid propane or natural gas), and the products of combustion of such fuels, can expose you to chemicals including benzene, which is known to the State of California to cause cancer and reproductive harm. For more information go to: www.P65Warnings.ca.gov.

Installation and service of this appliances should be performed by qualified personnel. Hearth & Home Technologies recommends HHT Factory Trained or NFI certified professionals.



NOTE: Installation and repair should be done by a qualified person. The appliance should be inspected before use and at least annually by a qualified person. More frequent cleaning may be required as necessary. It is imperative that the control compartment, burners, and circulating air passageways of the appliance are kept clean.

3 Getting Started

A. Design and Installation Considerations

These appliances must be installed outdoors.

Outdoor spaces - For the purpose of these instructions, an appliance is considered to be outdoors if installed with shelter no more inclusive than:

1. With walls on all sides, but no overhead cover
2. Within a partial enclosure which includes an overhead cover and no more than two side walls. These side walls may be parallel, as in a breezeway, or at right angles to each other; or
3. within a partial enclosure which includes an overhead cover and three sidewalls, as long as 30 % or more of the horizontal periphery of the enclosure is permanently open.

NOTE: Screen may be used on the open sides of the shelter. 14x18 and 16x18 screen mesh is approved for use. DO NOT use solar screen or no-see-um screen.

CAUTION

Check building codes prior to installation.

- Installation MUST comply with local, regional, state and national codes and regulations.
- Consult insurance carrier, local building, fire officials or authorities having jurisdiction about restrictions, installation inspection, and permits.

Installation MUST comply with local, regional, state and national codes and regulations. Consult the authorities having jurisdiction over restrictions, installation inspection and permits.

Before installing, determine the following:

- Where the appliance is to be installed.
 - Clearance to side walls
 - Location of indoor appliance terminations, air inlets, gas meters, etc.
 - Doors
 - Location of the fireplace to a door that swings open to ensure it does not interfere with the fireplace when opened
 - Windows
 - Walkways
 - Wires
 - Possibility of flooding or running water
- Gas supply piping requirements.
- Electrical wiring requirements.
- Framing and finishing details.

Moisture Resistance

This outdoor gas appliance will shed moderate amounts of water, but is not waterproof. Water and condensing water vapor may enter the enclosure under certain conditions.

The appliance will not perform as an exterior wall. Moisture penetration must be considered for construction that places the appliance in structure walls or on moisture sensitive surfaces.

When installed on exterior walls: Hearth & Home Technologies recommends that the appliance enclosure be constructed outside the structure's weather envelope. Where the platform meets the wall, use a flashing detail similar to that required for attached decks. Enclosure platforms, including hearths should slope away from the structure at 1/8 in. to 1/4 in. per foot. The appliance can be shimmed level.

When installed on surfaces where water may collect or cause damage: Hearth & Home Technologies recommends that a drainage pan be placed under the unit. This can be constructed of metal, adhesive polymer membrane (such as ice and water shield) or other suitable materials. A means of drainage out of the pan such as tubes or weep holes should be provided. A slope of 1/8 in. to 1/4 in. per foot towards the drain port is suggested. The appliance can be shimmed level.

Hearths should slope away from the front of the appliance and enclosure at 1/8 in. to 1/4 in. per foot.

B. Inspect Appliance and Components

- Remove the appliance and components from the packaging and inspect for damage.
- Report any parts damaged in shipment to your dealer.
- **Read all the instructions before starting the installation. Follow these instructions carefully during the installation to ensure maximum safety and benefit.**

WARNING! Risk of Fire or Explosion! Damaged parts could impair safe operation. DO NOT install damaged, incomplete or substitute components. Keep appliance dry.

Hearth & Home Technologies disclaims any responsibility for, and the warranty will be voided by, the following actions:

- Installation and use of any damaged appliance.
- Modification of the appliance.
- Installation other than as instructed by Hearth & Home Technologies.
- Improper positioning of the gas logs.
- Installation and/or use of any component part not approved by Hearth & Home Technologies.

Any such action may cause a fire hazard.

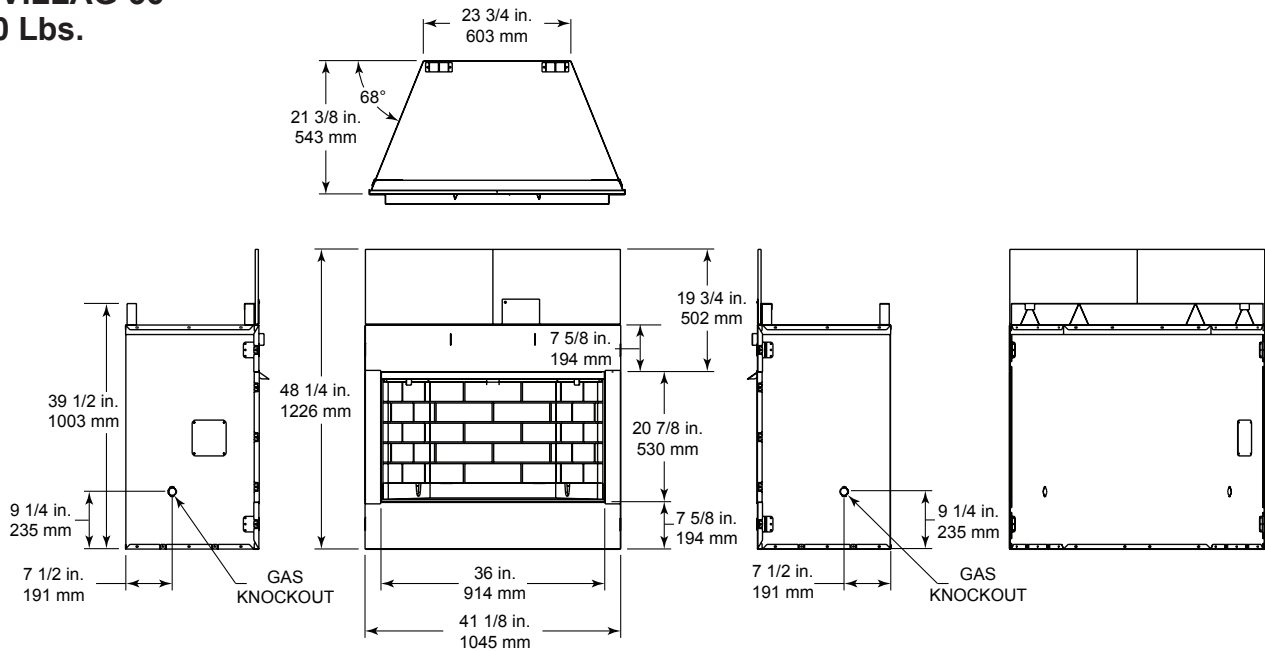
WARNING! Risk of Fire or Explosion! DO NOT use this appliance if any part has been under water. Call a qualified service technician to inspect the appliance and to replace any part of the gas control system which has been under water.

4 Framing and Clearances

A. Appliance Dimension/Weight Diagram

Dimensions are actual appliance dimensions. Use for reference only. For framing dimensions and clearances refer to Figures 4.2, 4.3, 4.4, 4.5, 4.6.

ODVILLAG-36 240 Lbs.



ODVILLAG-42 260 Lbs.

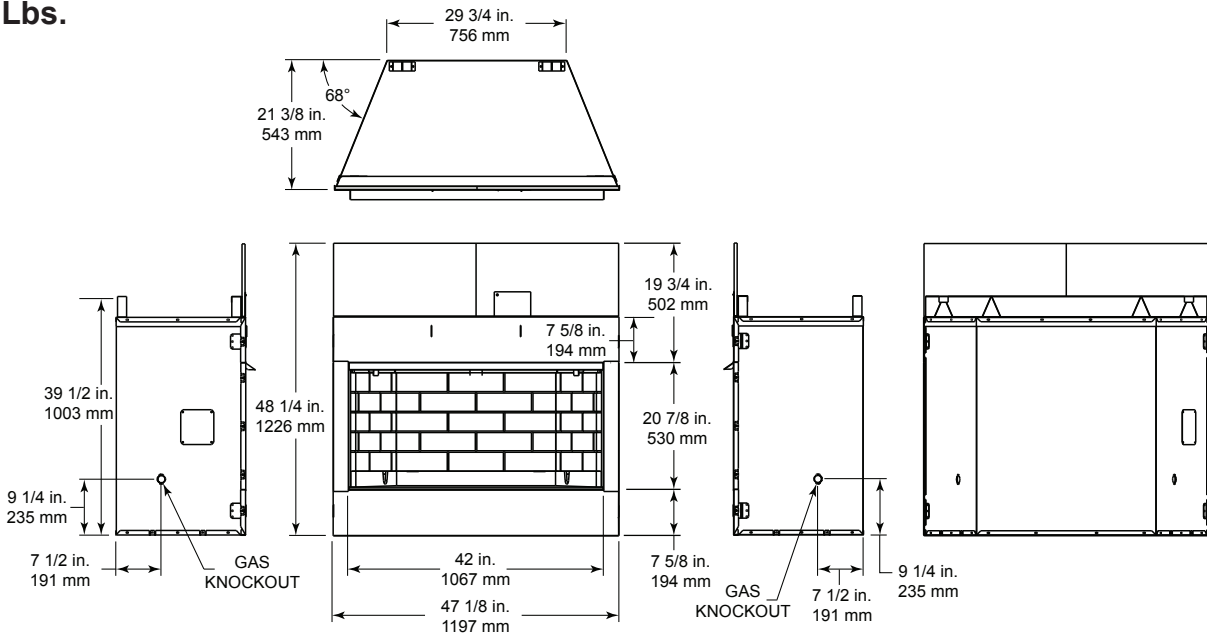


Figure 4.1 Appliance Dimensions

B. Clearances to Combustibles

When selecting a location for the appliance it is important to consider the required clearances to walls (see Figure 4.2).

WARNING! Risk of Fire or Burns! Provide adequate clearance around air openings and for service access. Due to high temperatures, the appliance should be located out of traffic and away from furniture and draperies.

NOTICE: Illustrations reflect typical installations and are FOR DESIGN PURPOSES ONLY. Illustrations/diagrams are not drawn to scale. Actual installation may vary due to individual design preference.

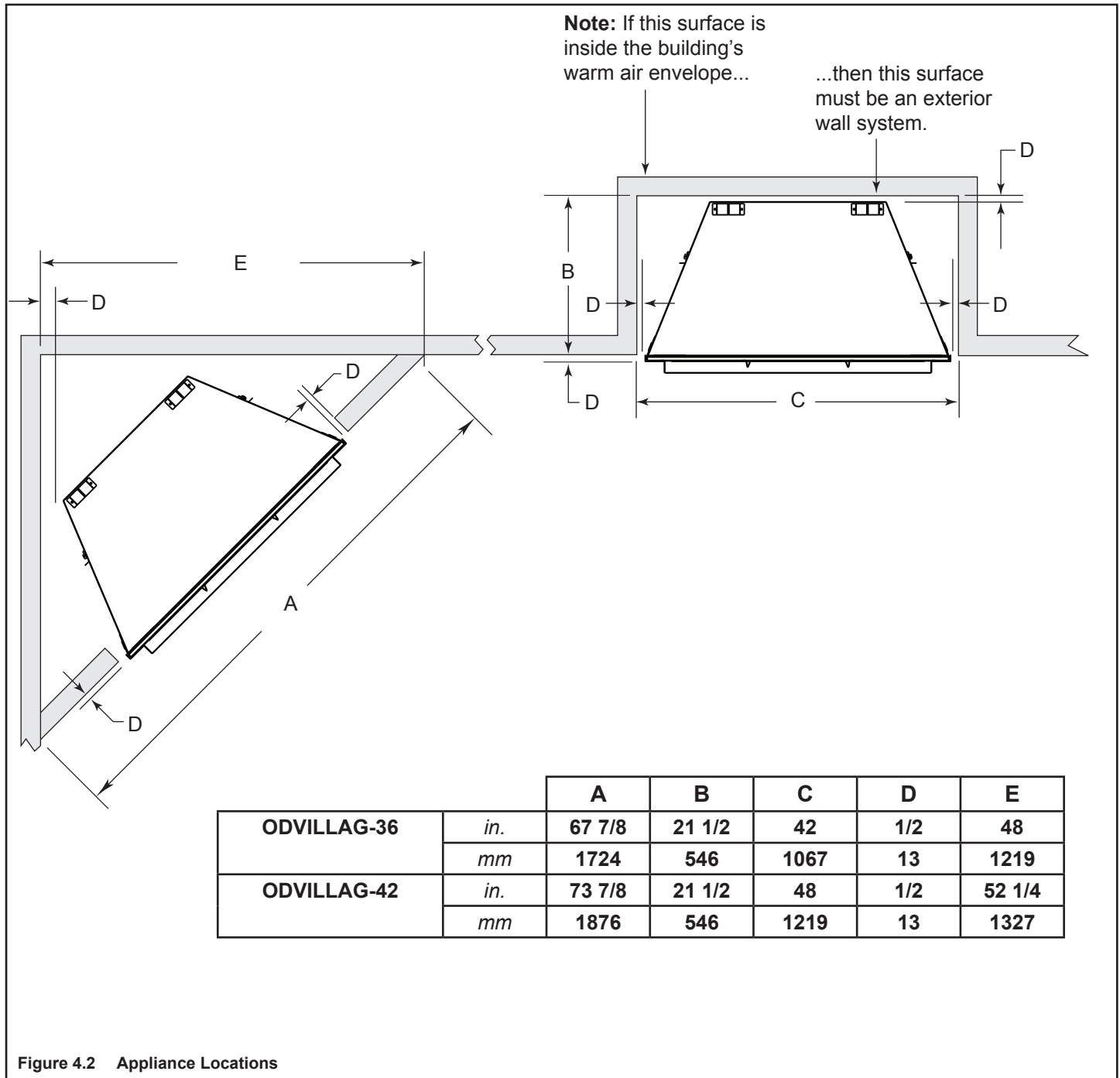
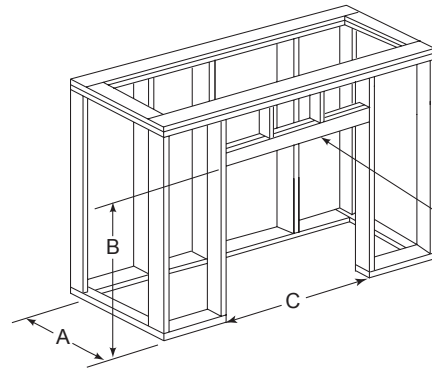


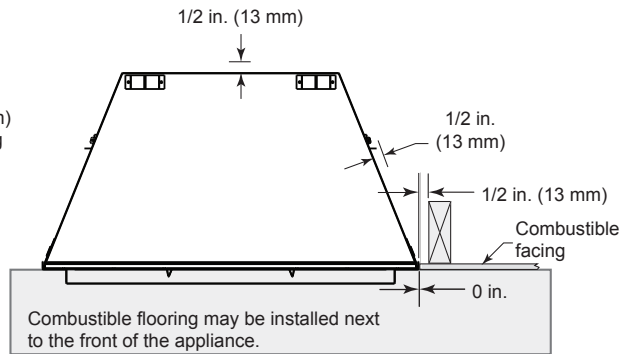
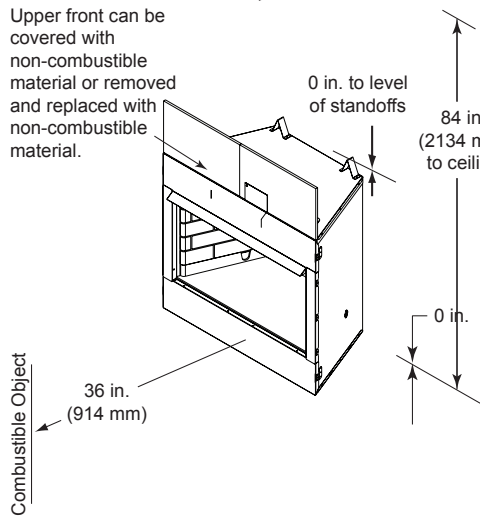
Figure 4.2 Appliance Locations



Framing Dimensions		A	B	C
ODVILLAG-36	<i>in.</i>	21 1/2	39 3/4	42
	<i>mm</i>	546	1010	1067
ODVILLAG-42	<i>in.</i>	21 1/2	39 3/4	48
	<i>mm</i>	546	1010	1219

Use only noncombustible material below the top of the top standoffs.

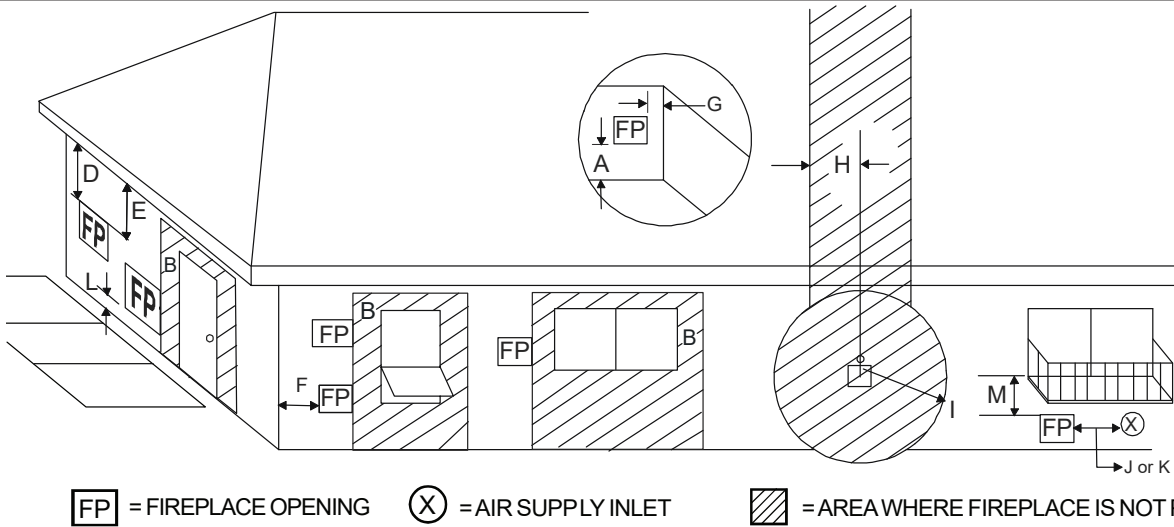
Upper front can be covered with non-combustible material or removed and replaced with non-combustible material.



Combustible flooring may be installed next to the front of the appliance.

Figure 4.3 Framing Dimensions

C. Vent Termination Minimum Clearances



FP = FIREPLACE OPENING	X = AIR SUPPLY INLET	▨ = AREA WHERE FIREPLACE IS NOT PERMITTED
-------------------------------	-----------------------------	--

A = 0 in. clearances above grade, veranda, porch, deck or balcony.	I = 3 ft. (USA) 6 ft. (Canada) . clearance to service regulator vent outlet and electric service.
B = 12 in. clearances to window or door that may be opened, or to permanently closed window.	J = 9 in. (USA) 12 in. (Canada) . clearance to non-mechanical air supply inlet to building or the combustion air inlet to any other appliance.
20 in. vinyl windows or siding.	K = 3 ft. (USA) 6 ft. (Canada) . clearance to a mechanical air supply inlet.
D = 47 in. vertical clearance to unventilated soffit or to ventilated soffit located above the terminal.	L = (See note 4)
60 in. vinyl clad soffits.	M** = 47 in. clearance under veranda, porch, deck, balcony or overhang.
F = 9 in. clearance to outside corner.	Not allowed: vinyl
G* = 12 in. clearance to inside corner, non-vinyl siding.	
H = 3 ft. (Canada) . not to be installed above a gas meter/regulator assembly within 3 ft (914 mm) horizontally from the center line of the regulator.	

* 48 in. minimum for vinyl windows or vinyl siding.

** only permitted if veranda, porch, deck or balcony is fully open on a minimum of 2 sides beneath the floor, or if the screened porch guidelines are followed.

Note 1: Local codes or regulations may require different clearances.

Note 2: There may be some odor and small amounts of soot associated with burning outdoor gas fireplaces on a screened porch. Consider prevailing wind direction for best flame performance.

Note 3: For appliances installed facing or opening onto public property or property servicing more than one single family dwelling, such as driveways, sidewalks, etc. refer to local building codes/regulations for proper clearances.

Figure 4.4 Minimum Clearances

D. Constructing the Appliance Enclosure

- ▶ Install on wood, composite or noncombustible continuous flat surface, extending full width and depth of the appliance to prevent damage.

WARNING! Risk of Fire! Maintain specified air space clearances to appliance.

- Insulation and other materials must be secured to prevent accidental contact.
- The enclosure must be properly blocked to prevent combustibles from entering and making contact with fireplace.
- Failure to maintain airspace may cause overheating and a fire.

E. Securing and Leveling the Appliance

WARNING! Risk of Fire! Prevent contact with:

- Sagging or loose insulation
- Insulation backing or plastic
- Framing and other combustible materials

DO NOT notch the framing around the appliance standoffs.

Failure to maintain air space clearance may cause overheating and fire.

The diagram shows how to properly position and secure the appliance (see Figure 4.4). Nailing tabs are provided to secure the appliance to the framing members.

- Bend out nailing tabs on each side.
- Place the appliance into position.
- Keep nailing tabs flush with the framing.
- Level the appliance from side to side and front to back.
- Shim the appliance as necessary. It is acceptable to use wood shims underneath the appliance.
- Secure the appliance to the framing by using nails or screws through the nailing tabs.
- Secure the appliance to the floor by inserting two screws through the pilot holes at the bottom of the appliance.

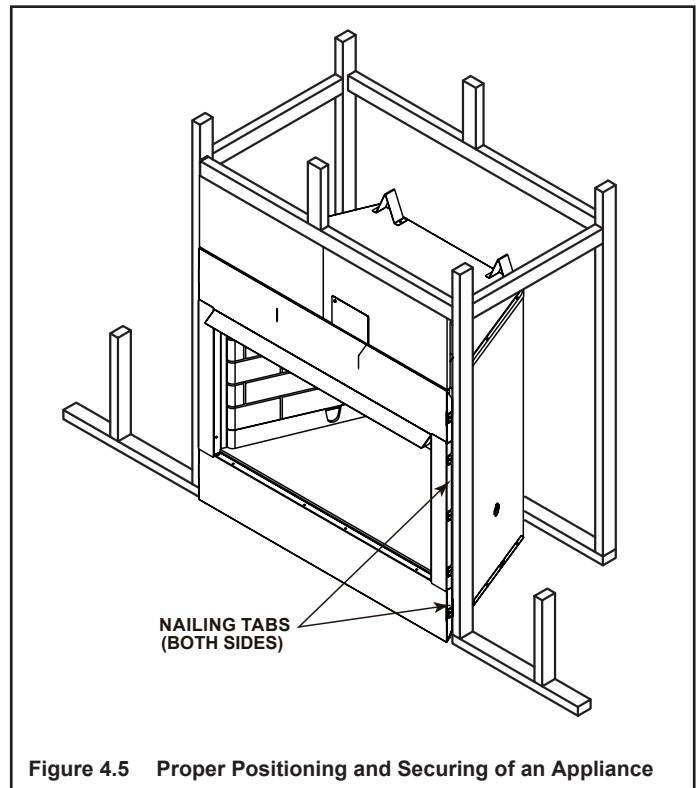


Figure 4.5 Proper Positioning and Securing of an Appliance

F. Non-Combustible Material Installation

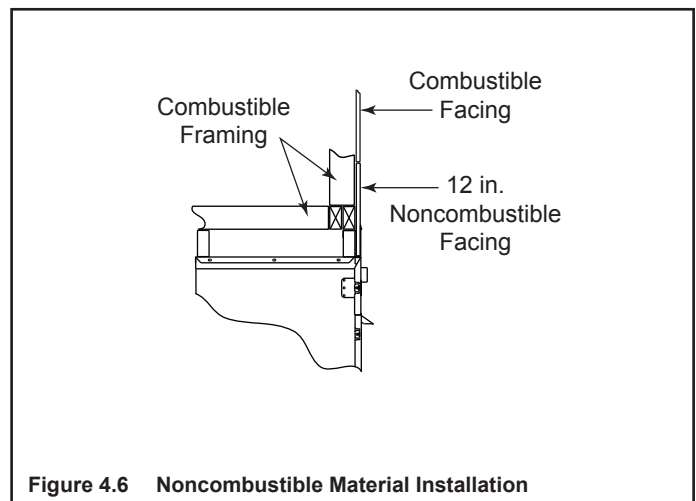


Figure 4.6 Noncombustible Material Installation

- A 12 in. noncombustible facing material (supplied) is required off the top of the appliance. Above 12 in., a combustible facing material is acceptable.
- Combustible framing can be installed above appliance top standoffs, behind the 12 in. noncombustible facing.

5 Gas Information

A. Fuel Conversion



- Make sure the appliance is compatible with available gas types.
- Conversions must be made by a qualified service technician using Hearth & Home Technologies specified and approved parts.

B. Gas Pressure

Refer to instructions provided with hearth kit (4072-179).

WARNING! Risk of Fire or Explosion! High pressure will damage valve. Low pressure may cause explosion.

- Verify inlet pressures. Verify minimum pressures when other household gas appliances are operating.
- Install regulator upstream of valve if line pressure is greater than 1/2 psig (14 in. w.c.).

⚠ WARNING	
	Fire Risk.
	Explosion Hazard.
	High pressure will damage valve.
	<ul style="list-style-type: none">• Disconnect gas supply piping BEFORE pressure testing gas line at test pressures above 1/2 psig.• Close the manual shutoff valve BEFORE pressure testing gas line at test pressures equal to or less than 1/2 psig.

When an appliance is for connection to a fixed piping system, the installation must conform with local codes, or in the absence of local codes with the **National Fuel Gas Code, ANSI Z223.1/NFPA 54, or International Fuel Gas Code.**

C. Gas Connections Provision

WARNING! Fire and/or Asphyxiation Risk! Use with outdoor decorative appliance only. Not for use with solid fuel.

The certified outdoor decorative hearth kit (supplied) must be installed in this fireplace.

- Knockouts are provided on both sides of the fireplace and in refractories for 1/2 in. (13 mm) iron pipe.
- Seal refractory around pipe with fireplace mortar or a non-combustible sealant.

NOTE: Hearth & Home Technologies recommends when installing rigid gas pipe in the Villa Gas appliance that an accessible pipe joint (not a union) be provided inside of the firebox to aid in replacement of the appliance hearth refractory, should it become necessary.

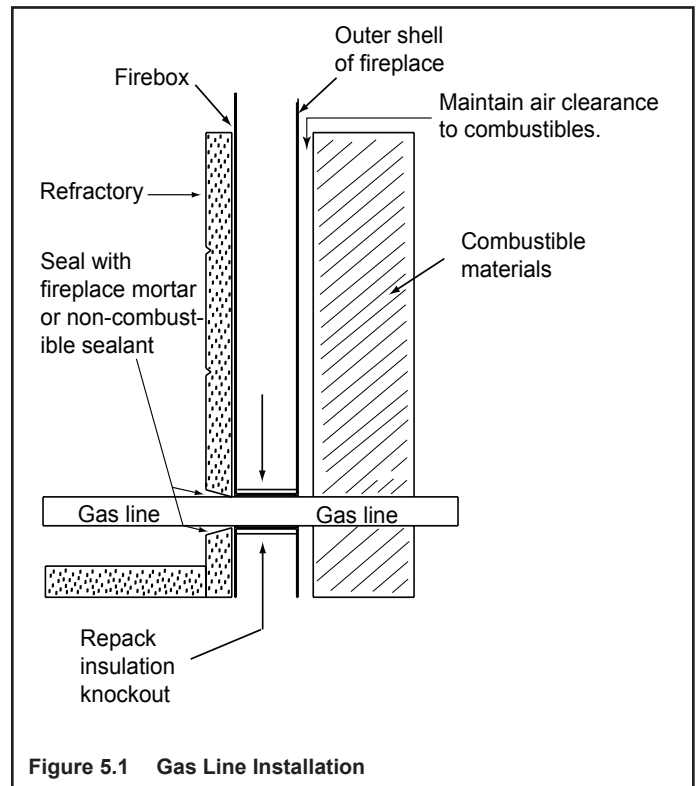


Figure 5.1 Gas Line Installation

D. High Altitude Installations

NOTICE: *If the heating value of the gas has been reduced, these rules do not apply. Check with your local gas utility or authorities having jurisdiction.*

When installing above 2000 feet elevation:

- In the USA: Reduce input rate 4% for each 1000 feet above 2000 feet.
- In CANADA: Input ratings are certified without a reduction of input rate for elevations up to 4500 feet (1370 m) above sea level. Please consult provincial and/or local authorities having jurisdiction for installations at elevations above 4500 feet (1370 m).

Check with your local gas utility to determine proper orifice size.

E. Air Shutter Setting

Refer to instructions provided with hearth kit (4072-179).

6 Finishing

A. Facing Material

- The Villa Gas appliance requires the front of the appliance to be covered with noncombustible material (e.g.: stone, marble, tile, etc.) A maximum of one (1) inch of exposed metal on all sides is permitted.
- Facing and/or finishing materials must not interfere with air flow through louvers, operation of louvers or doors, or access for service.
- Facing and/or finishing materials must never overhang into the appliance opening.
- Observe all clearances when applying combustible materials.
- Seal joints between the finished wall and appliance top and sides using a 300° F minimum sealant. Refer to Figure 6.1.

WARNING! Risk of Fire! DO NOT apply combustible materials beyond the minimum clearances. Comply with all minimum clearances to combustibles as specified in this manual. Overlapping materials could ignite and will interfere with proper operation of doors and louvers.

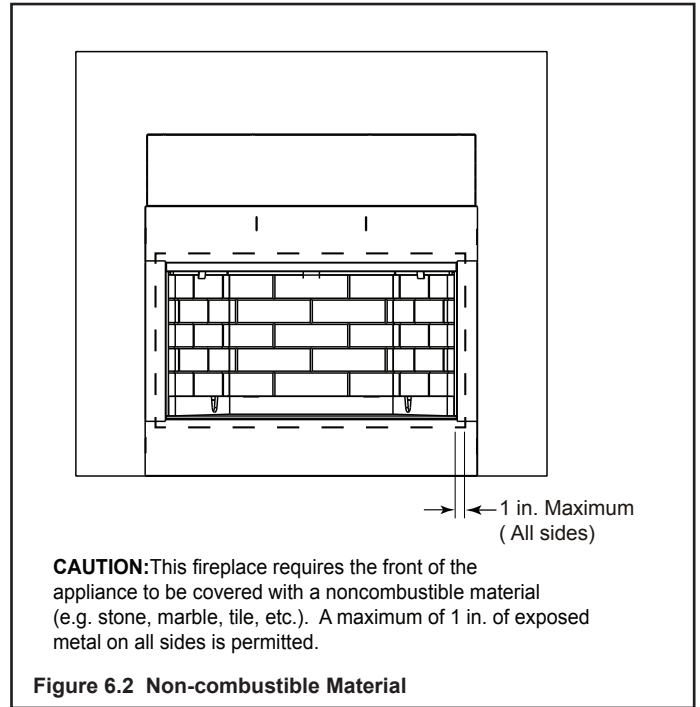
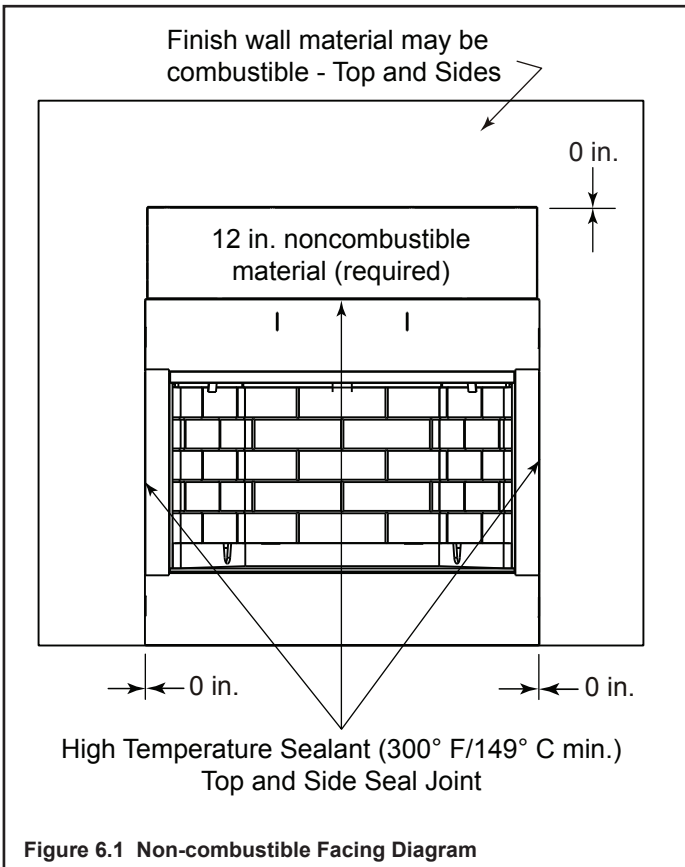
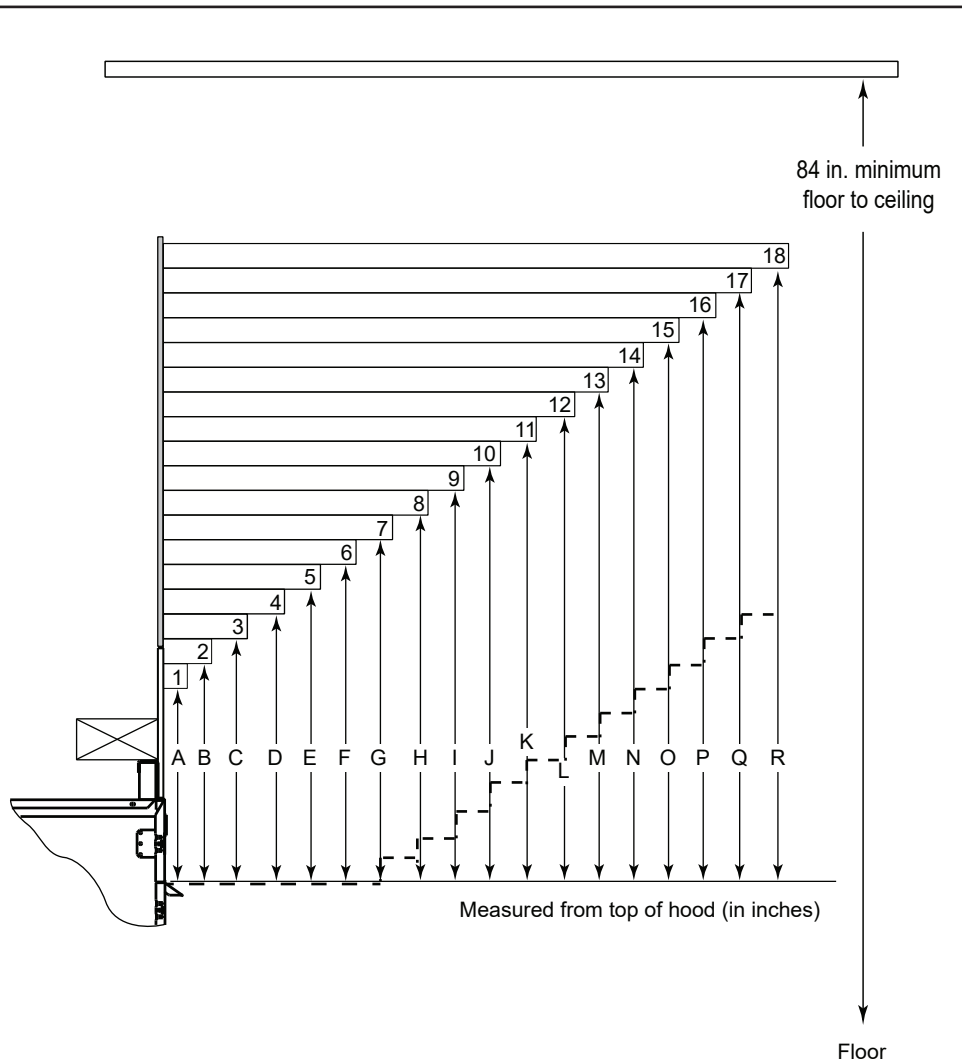


Figure 6.2 Non-combustible Material

B. Mantel and Wall Projections

WARNING! Risk of Fire! Comply with all minimum clearances as specified. Framing closer than the minimums listed must be constructed entirely of non-combustible materials (i.e., steel studs, concrete board, etc.).

Mantels



	A	B	C	D	E	F	G	H	I	J	K	L	M	N	O	P	Q	R
Combustible																		
in.	16	17	18	19	20	21	22	23	24	25	26	27	28	29	30	31	32	33
mm	406	432	457	483	508	533	559	584	610	635	660	686	711	737	762	787	813	838
Noncombustible																		
in.				0			1	2	3	4	5	6	7	8	9	10	11	12
mm				0			457	483	508	533	559	584	610	635	660	686	711	737

Dotted line on chart represents noncombustible dimensions

Figure 6.3 Minimum Vertical and Maximum Horizontal Dimensions of Combustibles

C. Good Faith TV Guidelines

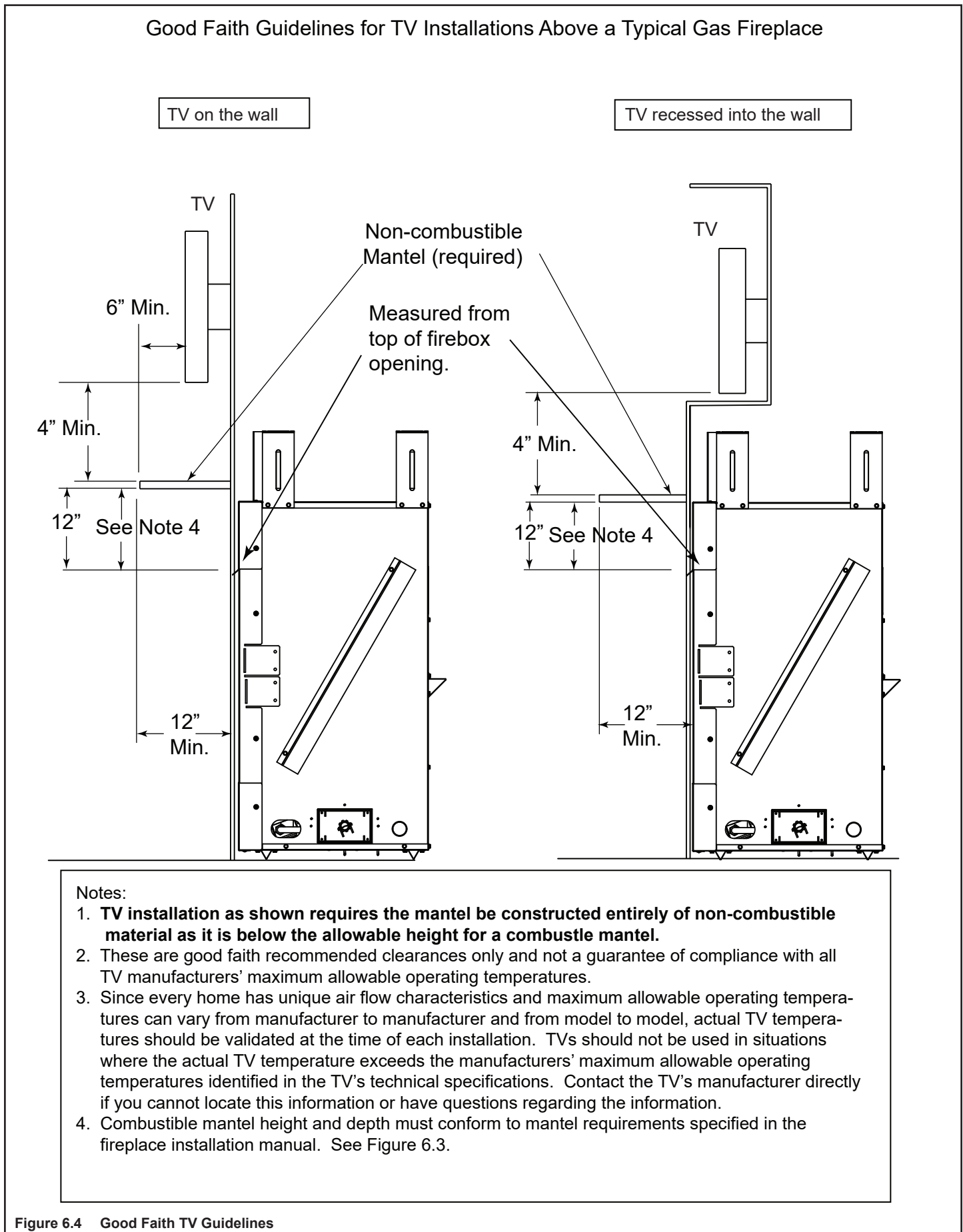
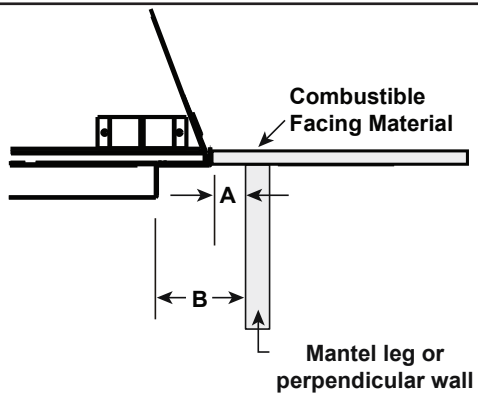


Figure 6.4 Good Faith TV Guidelines

Mantel Legs or Wall Projections



Combustible	
A	12 IN. (305 MM) MIN. TO PERPENDICULAR WALL
B	14-1/2 IN. (368 MM) MIN. FROM FIREPLACE OPENING TO PERPENDICULAR WALL

Noncombustible	
A	6 IN. (152 MM) MIN. TO PERPENDICULAR WALL
B	8-1/2 IN. (216 MM) MIN. FROM FIREPLACE OPENING TO PERPENDICULAR WALL

Figure 6.5 Mantel Leg or Wall Projections (Acceptable on both sides of opening)

7 Appliance Setup

A. Remove the Shipping Materials

Remove hearth kit (2 boxes) from inside the firebox.

B. Clean the Appliance

Clean/vacuum any sawdust that may have accumulated inside the firebox.

C. Install Hood

- Loosen six screws located on bottom edge of upper face.
- Slide hood into position.
- Tighten six screws previously loosened.

D. Install Hearth Kit (provided)

Refer to instructions provided with hearth kit (4072-179).

E. Install Mesh Door (optional)

Refer to instructions provided with mesh doors.

WARNING! Risk of Fire! Install *ONLY* doors or fronts approved by *Hearth & Home Technologies*. Unapproved doors or fronts may cause fireplace to overheat.

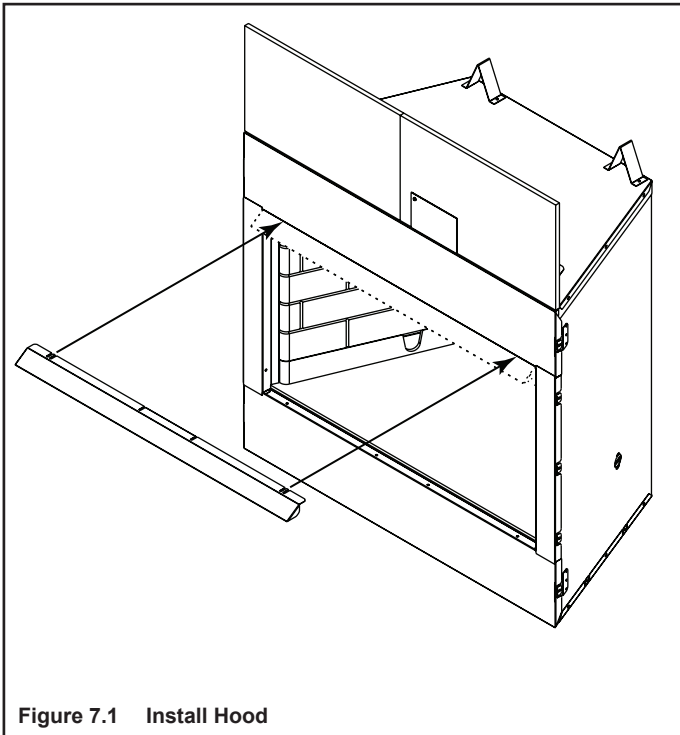


Figure 7.1 Install Hood

8 Maintenance and Service

- Refer to installation instructions provided with the hearth kit (4072-179).
- Any guard or other protective device removed for servicing the appliance must be replaced prior to operating the appliance.
- Installation and repair should be done by a qualified service person. The appliance should be inspected before use and at least annually by a qualified service person. More frequent cleaning may be required as necessary. It is imperative that control compartment, burners, and circulating air passageways of the appliance be kept clean.

9 Reference Materials

A. Service Parts



Service Parts **ODVILLAG-36T, ODVILLAG-36H**

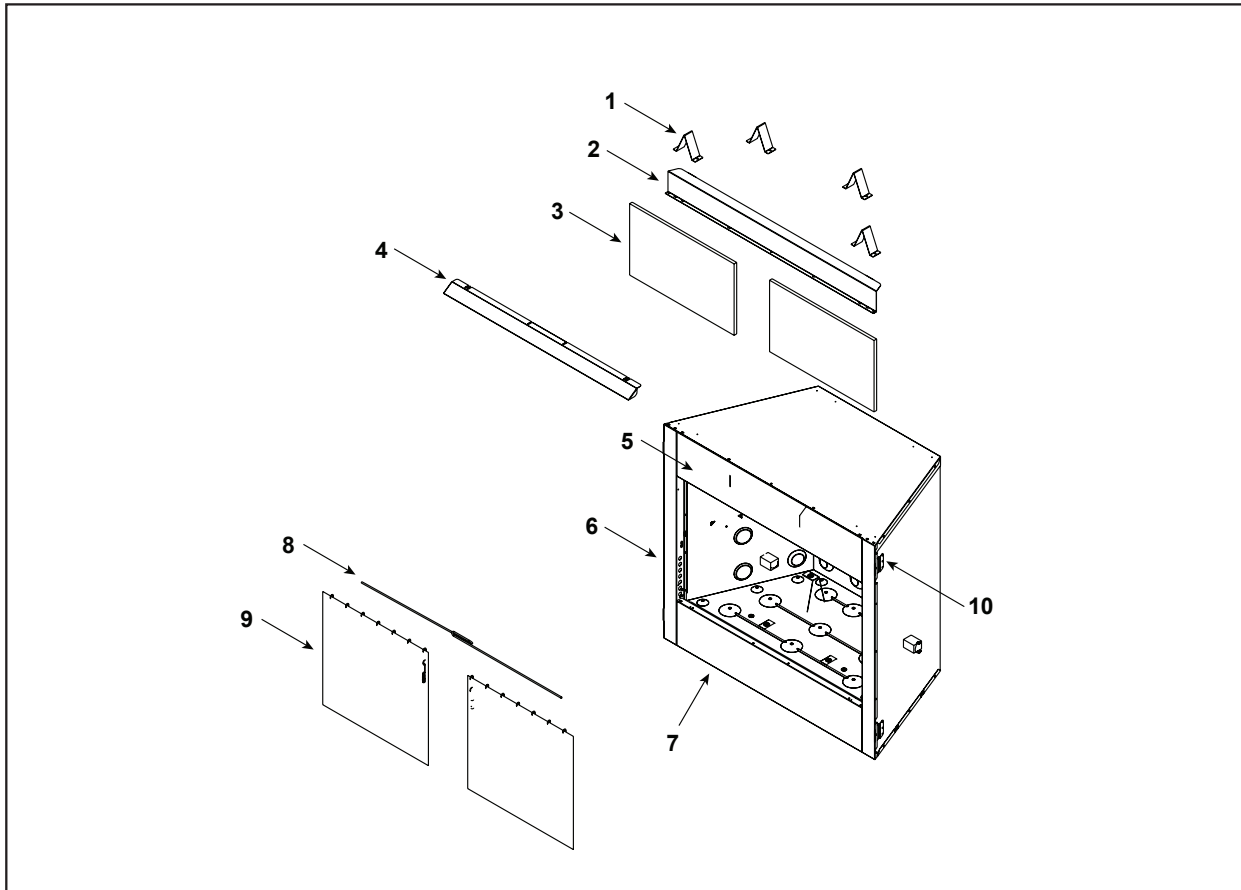
36" Outdoor Gas Fireplace

Beginning Manufacturing Date: Jan 2011

ODVILLAG-36H

Ending Manufacturing Date: Active

Ending Manufacturing Date : April 2017



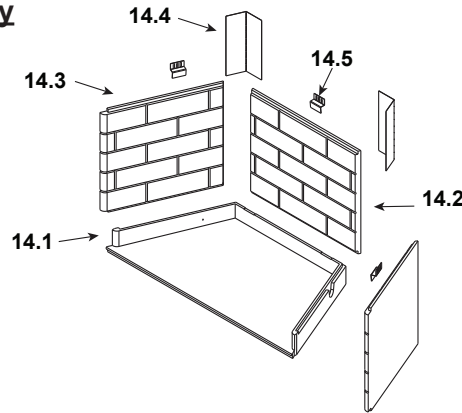
IMPORTANT: THIS IS DATED INFORMATION. Parts must be ordered from a dealer or distributor. **Hearth and Home Technologies does not sell directly to consumers.** Provide model number and serial number when requesting service parts from your dealer or distributor.



Stocked at Depot

ITEM	DESCRIPTION	COMMENTS	PART NUMBER	
1	Top Standoff	Qty 4 req	SRV4044-111	
2	Non-combustible Lip, 36"		SRV4072-254	
3	Non-combustible Front		SRV4072-174	
4	Hood		SRV4072-244	
5	Upper Face	Overlay	SRV4072-188	
6	Left & Right Column	Overlay	SRV4072-176	
7	Lower Face	Overlay	SRV4072-178	
8	Firescreen Rod	1 piece	SRV4072-133	
9	Firescreen Assembly	Qty 2 req	SRV4072-019	Y
10	Nailing Flange	Qty 4 req	SRV4044-161	
	Conversion Kit	NG	NGK-ODVILLAG	Y
		Propane	LPK-ODVILLAG	Y
	Installation Instructions and Owner's Manual		4072-204	

#14 Traditional Refractory



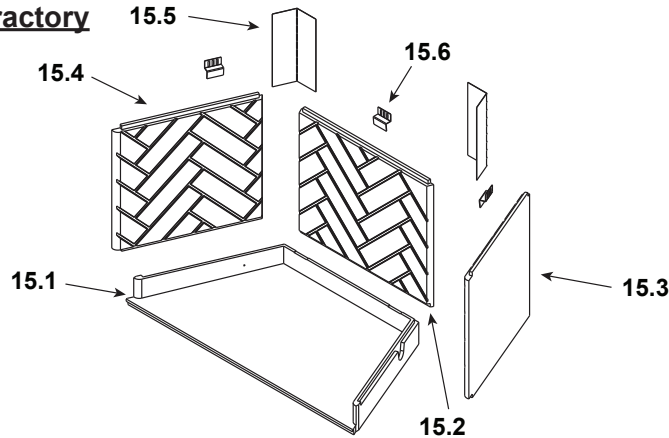
IMPORTANT: THIS IS DATED INFORMATION. Parts must be ordered from a dealer or distributor. **Hearth and Home Technologies does not sell directly to consumers.** Provide model number and serial number when requesting service parts from your dealer or distributor.



Stocked at Depot

ITEM	DESCRIPTION	COMMENTS	PART NUMBER
Traditional Refractory			
14.1	Hearth Refractory, 36.38" F x 17.88" D x 21.18 B		SRV4072-101
14.2	Back Refractory, 17.25" H x 20.93" W		SRV4072-102
14.3	Side Refractory, 17.25" H x 18.21" W	Qty 2 req	SRV4072-103
14.4	Corner Shield	Qty 2 req	4072-145
14.5	Retainer	Qty 3 req	SRV11847

#15 Herringbone Refractory



Herringbone Refractory			
ITEM	DESCRIPTION	COMMENTS	PART NUMBER
15.1	Hearth Refractory, 36.38" F x 17.88" D x 21.18 B		SRV4072-101
15.2	Back Refractory, 17.25" H x 20.93" W		SRV4072-106
15.3	Side Refractory, Right, 17.25" H x 18.21" W		SRV4072-108
15.4	Side Refractory, Left, 17.25" H x 18.21" W		SRV4072-109
15.5	Corner Shield	Qty 2 req	4072-145
15.6	Retainer	Qty 3 req	SRV11847



Service Parts ODVILLAG-36T, ODVILLAG-36H

Beginning Manufacturing Date: Jan 2011

Ending Manufacturing Date: Active

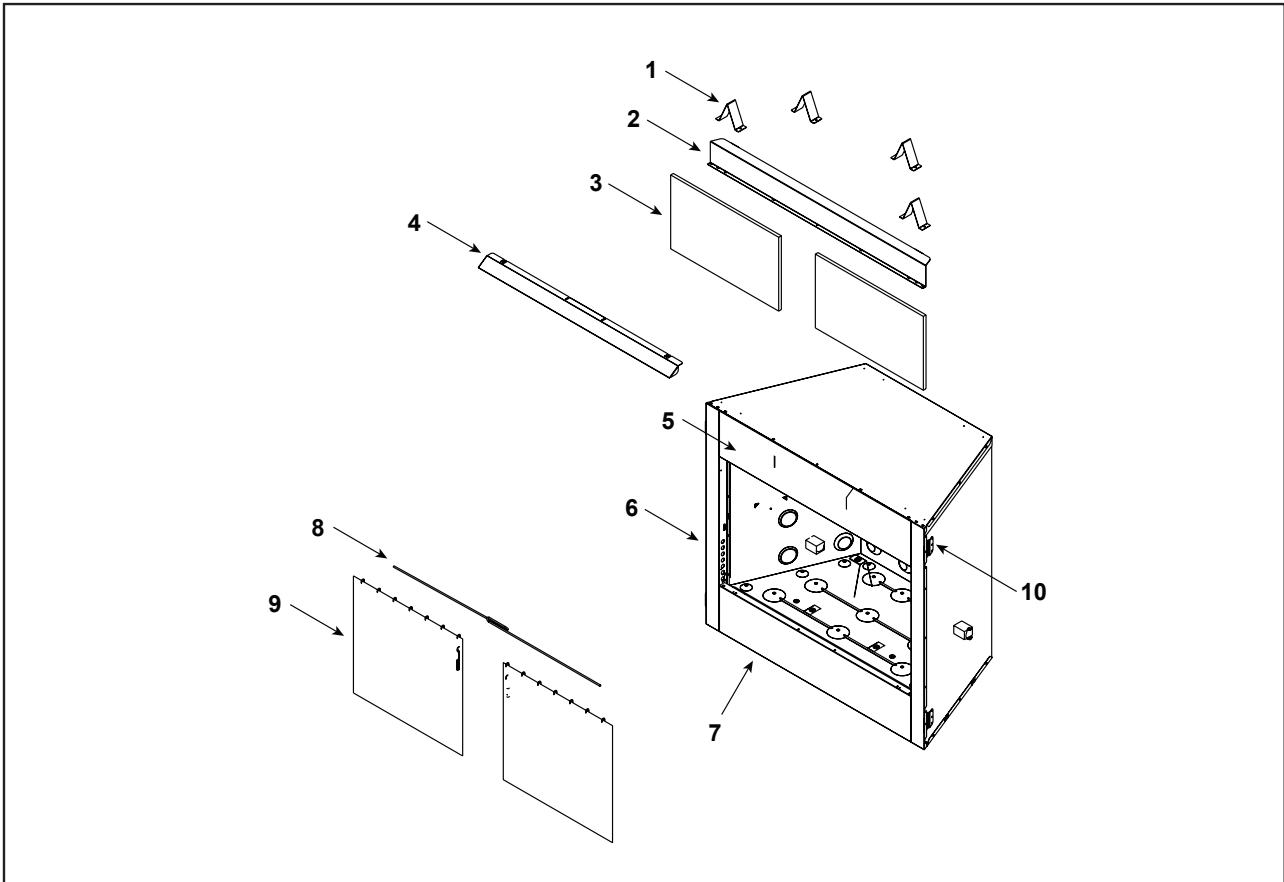
by hearth & home technologies®

IMPORTANT: THIS IS DATED INFORMATION. Parts must be ordered from a dealer or distributor. **Hearth and Home Technologies does not sell directly to consumers.** Provide model number and serial number when requesting service parts from your dealer or distributor.



Stocked at Depot

ITEM	DESCRIPTION	COMMENTS	PART NUMBER	
Hearth Kit With Logs				
	Hearth Kit w/Logs, 24" NG		SRV4072-180	Y
	Back Log		H-819	
	Front Log		H-0821	
	Middle Log		H-0820	
	Left Log		H-0818	
	Log		H-0817	
	Right Log		H-0816	
	4072 Grate Assembly 24"		11-1270SS	
	4072 Burner Assembly		11-1182SS	
	Control Knob		07-1030	
	Valve, Copreci (No longer available, must order SRV4072-211 Conversion Kit)		07-1025	
	Valve, Dexen		SRV07-1044	
	Pilot		SRV07-1008	
	Strap Plate	Copreci Only	MT-1200-SP	
	Pilot Bracket		MT-1200-PB	
	Orifice		4072-24N	
	Union, 3/8" MFL x MIP	Dexen requires 2 pcs.	01-1004	
	Elbow, 3/8" FL x 3/8" MIP Forged	Copreci Only	11-1300	
	Elbow, 3/8" Flare x 3/8" FIP	Copreci Only	10-1037	
	Aluminum Gas Line, 24"		FT-1-24	
	Lava Rock		SRVACC10	
	Hearth Kit Install Manual (Reference Only, None saleable)		4072-179	
	Conversion Kit, Copreci to Dexen		SRV4072-211	



IMPORTANT: THIS IS DATED INFORMATION. Parts must be ordered from a dealer or distributor. **Hearth and Home Technologies does not sell directly to consumers.** Provide model number and serial number when requesting service parts from your dealer or distributor.



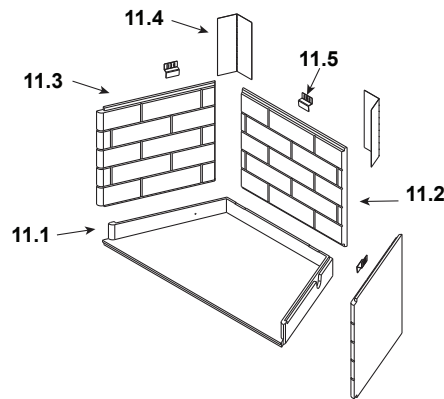
Stocked at Depot

ITEM	DESCRIPTION	COMMENTS	PART NUMBER	
	On/Off Valve		SRV07-1025	Y
1	Top Standoff	Qty 4 req	SRV4044-111	
2	Non-combustible Lip, 42"		SRV4072-255	
3	Non-combustible Front		SRV4072-175	
4	Hood		SRV4072-210	
5	Upper Face	Overlay	SRV4072-199	
6	Left & Right Column	Overlay	SRV4072-176	
7	Lower Face	Overlay	SRV4072-169	
8	Firescreen Rod	1 piece	SRV4072-134	
9	Firescreen Assembly	Qty 2 req	SRV4072-020	Y
10	Nailing Flange	Qty 4 req	SRV4044-161	
	Conversion Kit	NG	NGK-ODVILLAG	Y
		Propane	LPK-ODVILLAG	Y
	Installation Instructions and Owner's Manual		4072-204	

Additional service parts following page.

1/23

#11 Traditional Refractory



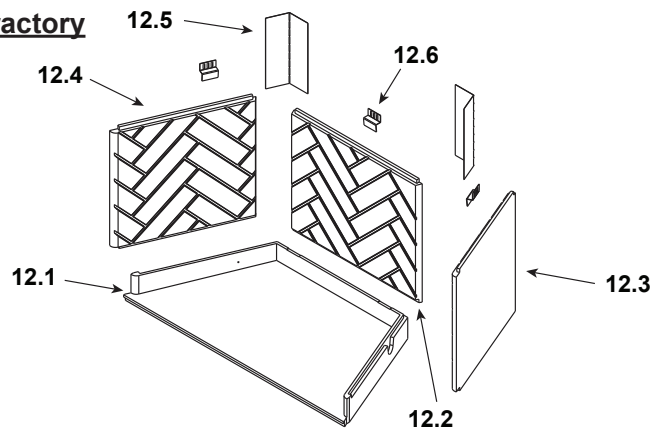
IMPORTANT: THIS IS DATED INFORMATION. Parts must be ordered from a dealer or distributor. **Hearth and Home Technologies does not sell directly to consumers.** Provide model number and serial number when requesting service parts from your dealer or distributor.



Stocked at Depot

ITEM	DESCRIPTION	COMMENTS	PART NUMBER	
Traditional Refractory				
11.1	Hearth Refractory, 42.38" F x 17.88" D x 27.18 B		SRV4072-159	
11.2	Back Refractory, 17.25" H x 26.93" W		SRV4072-105	
11.3	Side Refractory, Right, 17.25" H x 18.21" W	Qty 2 req	SRV4072-103	
11.4	Corner Shield	Qty 2 req	SRV4072-145	
11.5	Retainer	Qty 3 req	SRV4072-250	

#12 Herringbone Refractory



Herringbone Refractory

12.1	Hearth Refractory, 42.38" F x 17.88" D x 27.18 B		SRV4072-159	
12.2	Back Refractory, 17.25" H x 26.93" W		SRV4072-107	
12.3	Side Refractory, Right, 17.25" H x 18.21" W		SRV4072-108	
12.4	Side Refractory, Left, 17.25" H x 18.21" W		SRV4072-109	
12.5	Corner Shield	Qty 2 req	SRV4072-145	
12.6	Retainer	Qty 3 req	SRV4072-250	

B. Accessories

Mesh Doors



DSVILLA36
DSVILLA42

C. Contact Information



Hearth & Home Technologies
7571 215th Street West
Lakeville, MN 55044
www.hearthnhome.com

Please contact your Outdoor Lifestyles dealer with any questions or concerns.

For the number of your nearest Outdoor Lifestyles dealer, please visit www.hearthnhome.com.

- NOTES -

NOTICE

DO NOT DISCARD THIS MANUAL



- Important operating and maintenance instructions included.

- Read, understand and follow these instructions for safe installation and operation.

- Leave this manual with party responsible for use and operation.



This product may be covered by one or more of the following patents: (United States) 6601579, 6769426, 6863064, 7077122, 7074035, 7098269, 7234932, 7258116, 7322819, 7422011, 7470729, 7726300, 8147240, 9625149 or other U.S. and foreign patents pending.

2000-945E

Printed in U.S.A. - Copyright 2013