

Installation Manual

Installation and Fireplace Setup

INSTALLER: Leave this manual with party responsible for use and operation.

OWNER: Retain this manual for future reference.

This fireplace uses SL1100 Series Chimney

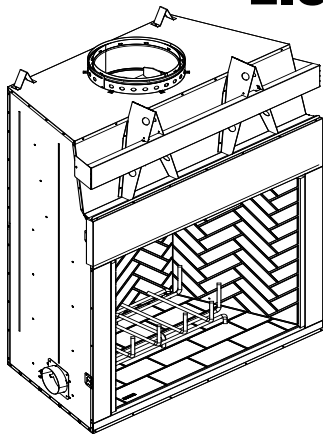
2" CLEARANCE TO COMBUSTIBLES AND BUILDING INSULATION FROM CHIMNEY REQUIRED.

NOTICE: DO NOT discard this manual!



Model(s):

ASH42



WOODBURNING FIREPLACE

Installation and service of this appliance should be performed by qualified personnel. Hearth & Home Technologies recommends HHT Factory Trained or NFI certified professionals.



⚠ WARNING: If the information in these instructions is not followed exactly, a fire or explosion may result causing property damage, personal injury, or death.

- **DO NOT** store or use gasoline or other flammable vapors and liquids in the vicinity of this or any other appliance.
- **DO NOT** overfire. Overfiring will void your warranty.
- Comply with all minimum clearances to combustibles as specified. Failure to comply may cause house fire.

⚠ WARNING



HOT SURFACES!

Glass and other surfaces are hot during operation AND cool down.

Hot glass will cause burns.

- **DO NOT** touch glass until it is cooled
 - **NEVER** allow children to touch glass
 - Keep children away
 - **CAREFULLY SUPERVISE** children in same room as fireplace.
 - Alert children and adults to hazards of high temperatures.
- High temperatures may ignite clothing or other flammable materials.**
- Keep clothing, furniture, draperies and other flammable materials away.

⚠ WARNING



Fire Risk.

For use with solid wood fuel only.
Other fuels may overfire and generate poisonous gases (i.e. carbon monoxide).

Safety Alert Key:

- **DANGER!** Indicates a hazardous situation which, if not avoided will result in death or serious injury.
- **WARNING!** Indicates a hazardous situation which, if not avoided could result in death or serious injury.
- **CAUTION!** Indicates a hazardous situation which, if not avoided, could result in minor or moderate injury.
- **NOTICE:** Indicates practices which may cause damage to the fireplace or to property.

Table of Contents

| | | | |
|--------------------------------------------------------------|----|------------------------------------------------------------------------------------------------------------|----|
| 1 Product Specific & Important Safety Information | | 6 Shrouds | |
| A. Fireplace Certification | 4 | A. Radiation Shield | 25 |
| B. Non-Combustible Materials | 4 | B. Field Constructed Shrouds | 25 |
| C. Combustible Materials | 4 | 1. Open Top Shroud | 25 |
| | | 2. Mailbox Style Shroud | 26 |
| 2 Getting Started | | 3. Roofed Style Shroud | 26 |
| A. Typical Fireplace System | 5 | 7 Finishing | |
| B. Design and Installation Considerations | 6 | A. Finishing Material | 27 |
| 1. Selecting Fireplace Locations | 6 | B. Hearth Extension, Building and Finishing | 29 |
| 2. Locating Fireplace & Chimney | 7 | ▶ 1. Fireplace Installed Flush on the Floor and Hearth Extension Raised to Bottom of Firebox Opening | 30 |
| C. Tools and Supplies Needed | 8 | 2. Raised Hearth Extension and Raised Fireplace | 31 |
| D. Inspect Fireplace and Components | 8 | 3. Fireplace Opening and Hearth Extension Flush with the Floor | 32 |
| E. Fireplace System Requirements | 8 | C. Non-Combustible Sealant Material | 32 |
| | | D. Sidewalls/Surrounds | 32 |
| 3 Framing and Clearances | | E. Mantel and Wall Projections | 33 |
| A. Appliance Dimensions/Weight | 9 | 8 Fireplace Setup | |
| B. Clearances | 10 | A. Install Hearth Molded Brick Panel | 34 |
| Minimum Clearances to Combustibles | 10 | B. Install Back Molded Brick Panel | 34 |
| C. Construct the Chase | 11 | C. Install Side Molded Brick Panel | 34 |
| D. Frame the Fireplace | 12 | D. Install Screens | 35 |
| E. Secure and Level the Fireplace | 13 | E. Install Mortar (Optional) | 35 |
| F. Protective Metal Hearth Strips | 13 | F. Grate | 35 |
| G. Outside Air Kit | 13 | I. Gas Log/Lighter Provision | 36 |
| | | J. Wood Burning Inserts | 36 |
| 4 Chimney and Termination Requirements | | 9 Reference Materials | |
| A. Chimney Requirements | 15 | A. Chimney Components | 37 |
| B. Offsets>Returns | 16 | B. Optional Components | 41 |
| C. Termination Requirements | 17 | | |
| 5 Chimney Installation | | | |
| A. Typical Chimney System | 18 | | |
| B. Assemble Chimney Sections | 19 | | |
| C. Intall Chimney Air Kit | 19 | | |
| D. Secure Offset/Return | 20 | | |
| E. Install Ceiling Firestops | 20 | | |
| F. Install Attic Insulation Shield | 21 | | |
| G. Roof Penetration | 22 | | |
| H. Install Chase/Chase Top | 22 | | |
| I. Termination Cap Requirements | 23 | | |
| J. Install Termination Cap | 23 | | |

Note: An arrow ▶ found in the text signifies change in content.

ATTENTION INSTALLER:
Follow this Standard Work Checklist

This standard work checklist is to be used by the installer in conjunction with, not instead of, the instructions contained in this installation manual.

| | | | |
|----------------------------|-------|-----------------------------------|-------|
| Customer: | _____ | Date Installed: | _____ |
| Lot/Address | _____ | Location of Fireplace: | _____ |
| | _____ | Installer: | _____ |
| Model (circle one): | ASH42 | Dealer/Distributor Phone # | _____ |
| | | Serial #: | _____ |

! WARNING! Risk of Fire or Explosion! Failure to install fireplace according to these instructions can lead to a fire or explosion.

| <u>Fireplace Install</u> | YES | IF NO, WHY? |
|-----------------------------------------------------------------------------------------------------------------------------|--------------------------|--------------------|
| Verified that the chase is insulated and sealed. (Pg. 11) | <input type="checkbox"/> | _____ |
| Verified clearances to combustibles. (Pg. 10) | <input type="checkbox"/> | _____ |
| Fireplace is leveled and secured. (Pg. 13) | <input type="checkbox"/> | _____ |
| Protective hearth strips installed per manual requirements. (Pg. 13) | <input type="checkbox"/> | _____ |
| Hearth extension size/height decided. (Pg. 29) | <input type="checkbox"/> | _____ |
| Outside air kit installed. (Pg. 14) | <input type="checkbox"/> | _____ |
| <u>Chimney Sections 4 & 5 (Pg. 15)</u> | | |
| Chimney configuration complies with diagrams. | <input type="checkbox"/> | _____ |
| Chimney installed, locked and secured in place with proper clearance. | <input type="checkbox"/> | _____ |
| Chimney air kit installed. | <input type="checkbox"/> | _____ |
| Firestops installed. | <input type="checkbox"/> | _____ |
| Attic insulation shields are installed. | <input type="checkbox"/> | _____ |
| Roof flashing installed. | <input type="checkbox"/> | _____ |
| Terminations installed. | <input type="checkbox"/> | _____ |
| <u>Shrouds Section 6 (Pg. 25)</u> | | |
| Shrouds properly installed per instructions | <input type="checkbox"/> | _____ |
| <u>Finishing Section 7 (Pg. 27)</u> | | |
| Combustible materials not installed in non-combustible areas. | <input type="checkbox"/> | _____ |
| Verified all clearances meet installation manual requirements. | <input type="checkbox"/> | _____ |
| Mantels and wall projections comply with installation manual requirements. | <input type="checkbox"/> | _____ |
| Hearth extension installed per manual requirements. | <input type="checkbox"/> | _____ |
| <u>Fireplace Setup Section 8 (Pg. 34)</u> | | |
| All packaging and protective materials removed. | <input type="checkbox"/> | _____ |
| Molded brick panels installed correctly. | <input type="checkbox"/> | _____ |
| Grate is properly installed. | <input type="checkbox"/> | _____ |
| Firescreen installed properly. | <input type="checkbox"/> | _____ |
| Optional doors properly installed. | <input type="checkbox"/> | _____ |
| Manual bag and all of its contents are removed from the fireplace and given to the party responsible for use and operation. | <input type="checkbox"/> | _____ |

- Hearth & Home Technologies recommends the following:**
- Photographing the installation and copying this checklist for your file.
 - That this checklist remain visible at all times on the fireplace until the installation is complete.

Comments: Further description of the issues, who is responsible (Installer/Builder/Other Trades, etc.) and corrective action needed: _____

Comments communicated to party responsible _____ by _____ on _____
 (Builder/Gen. Contractor) (Installer) (Date)

1 Product Specific & Important Safety Information

A. Fireplace Certification

This fireplace system has been tested and listed in accordance with UL 127 standards by Underwriters Laboratories Inc. for installation and operation in the United States.

This fireplace may be installed in sleeping rooms. This fireplace is not approved for manufactured housing. If installed with a gas log set, provisions for the National Fuel Gas Code must be met.

This fireplace has been tested and listed for use with the optional components specified in this manual. These optional components may be purchased separately and installed at a later date. Installation of an outside air kit will require significant reconstruction and is best if installed at the time of fireplace installation.

WARNING! Risk of Fire! *Hearth & Home Technologies disclaims any responsibility for, and the warranty and agency listing will be voided by the following actions.*

DO NOT:

- *install or operate damaged fireplace*
- *modify fireplace*
- *install other than as instructed by Hearth & Home Technologies*
- *operate the fireplace without fully assembling all components*
- *overfire*
- *install any component not approved by Hearth & Home Technologies*
- *install parts or components not Listed or approved*


Improper installation, adjustment, alteration, service or maintenance can cause injury or property damage. For assistance or additional information, consult a qualified installer, service agency or your dealer.

B. Non-Combustible Materials

- Materials which will not ignite and burn, composed of any combination of the following:
 - Steel
 - Iron
 - Brick
 - Tile
 - Concrete
 - Slate
 - Glass
 - Plasters
- Materials reported as passing **ASTM E 136, Standard Test Method for Behavior of Metals, in a Vertical Tube Furnace at 750° C**

C. Combustible Materials

- Materials made of or surfaced with any of the following materials:
 - Wood
 - Compressed paper
 - Plant fibers
 - Plastic
 - Plywood/OSB
 - Sheet rock (drywall)
- Any material that can ignite and burn; flame proofed or not, plastered or un-plastered

 **WARNING:** This product and the fuels used to operate this product (wood and wood pellets), and the products of combustion of such fuels, can expose you to chemicals including carbon black, which is known to the State of California to cause cancer and carbon monoxide, which is known to the State of California to cause birth defects or other reproductive harm. For more information go to: www.P65Warnings.ca.gov.

2 Getting Started

A. Typical Fireplace System

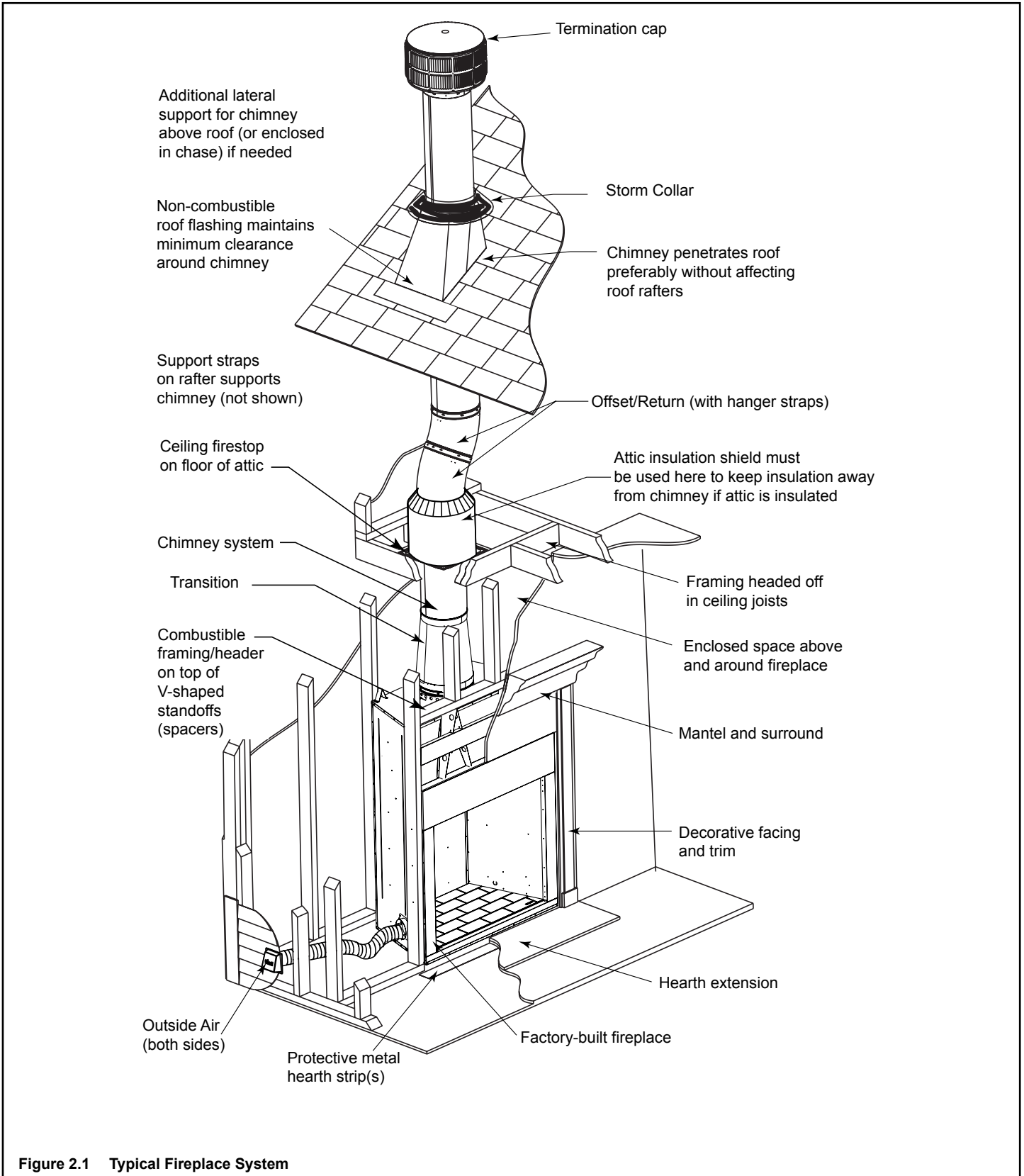


Figure 2.1 Typical Fireplace System

B. Design and Installation Considerations

NOTICE: Check building codes prior to installation.

- Installation MUST comply with local, regional, state and national codes and regulations.
- Consult insurance carrier, local building inspector, fire officials or authorities having jurisdiction over restrictions, installation inspection and permits.
- **Before installing**, determine the following:
 - Where the fireplace is to be installed.
 - The vent system configuration to be used.
 - Gas supply piping.
 - Electrical wiring.
 - Framing and finishing details.
 - Whether optional accessories - devices such as a fan, wall switch or remote control - are desired.

1. Selecting Fireplace Locations

This fireplace may be used as a room divider, installed along a wall, across a corner or used in an exterior chase. See Figure 2.2.

Locating the fireplace in a basement is not recommended. Locating near frequently opened doors, central heat outlets or returns, or other locations of considerable air movement can affect the performance.

Consideration should be given to these factors before deciding on a location.

NOTICE: In addition to these framing dimensions, also reference the following section:

- Clearances (Section 3).

NOTICE:

- Illustrations and photos reflect typical installations and are **FOR DESIGN PURPOSES ONLY**.
- Illustrations/diagrams are not drawn to scale.
- Actual installation/appearance may vary due to individual design preference.
- Hearth & Home Technologies reserves the right to alter its products.

NOTICE:

A minimum 1-1/2 in. air clearance at the back and a minimum 1-1/2 in. air clearance to the sides of the fireplace assembly must be maintained.

Chimney sections at any level require a 2 in. minimum air space clearance between the framing and chimney sections.

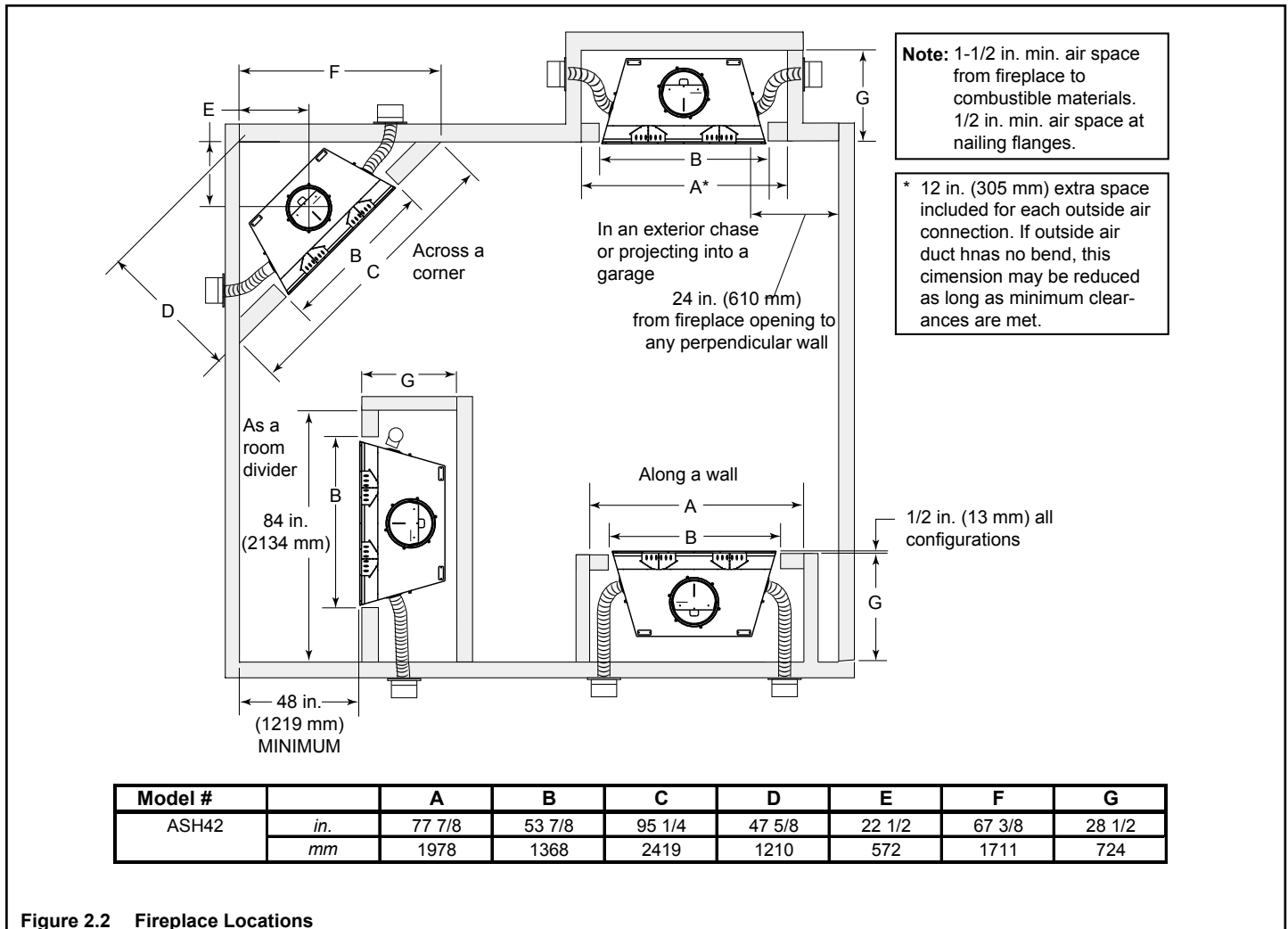
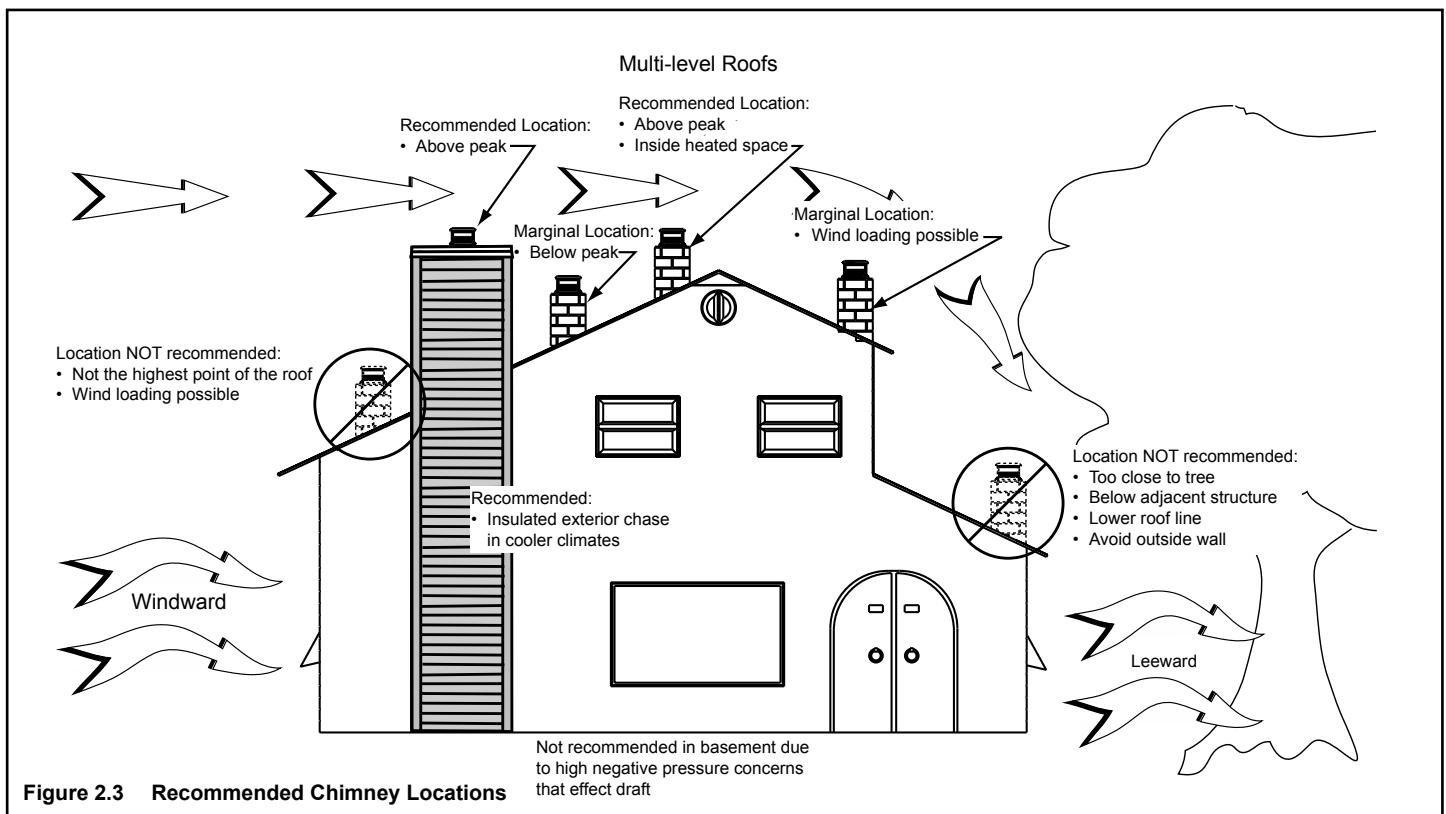


Figure 2.2 Fireplace Locations

2. Locating Fireplace & Chimney

Location of the fireplace and chimney will affect performance.

- Install within the warm airspace enclosed by the building envelope. This helps to produce more draft, especially during lighting and die-down of the fire.
- Installing the fireplace in a basement is not recommended.
- Penetrate the highest part of the roof. This minimizes the effects of wind loading.
- Locate termination cap away from trees, adjacent structures, uneven roof lines and other obstructions.
- Minimize the use of chimney offsets.
- Consider the fireplace location relative to floor and ceiling and attic joists.
- Take into consideration the termination requirements in Section 5.
- Install the outside air kit with the intake facing prevailing winds during the heating season.
- Ensure adequate outdoor air for all combustion appliances and exhaust equipment.
- Ensure furnace and air conditioning return vents are not located in the immediate vicinity of the fireplace.
- Avoid installing the fireplace near doors, walkways or small isolated spaces.
- Recessed lighting should be a “sealed can” design.
- Attic hatches weather stripped or sealed.
- Attic mounted duct work and air handler joints and seams taped or sealed.



C. Tools and Supplies Needed

Before beginning the installation be sure the following tools and building supplies are available:

| | |
|---------------------------------------------------|-------------------------|
| Reciprocating saw | Framing material |
| Pliers | Non-combustible sealant |
| Hammer | Gloves |
| Phillips screwdriver | Framing square |
| Flat blade screwdriver | Electric drill and bits |
| Plumb line | Safety glasses |
| Level | Tape measure |
| 1/2-3/4 in. length, #6 or #8 self-drilling screws | |
| Misc. screws and nails | |

D. Inspect Fireplace and Components

WARNING! Risk of Fire and/or Explosion! Damaged parts could impair safe operation. DO NOT install damaged, incomplete or substitute components. Keep fireplace dry.

- Remove fireplace and components from packaging and inspect for damage.
- Vent system components and doors are shipped in separate packages.
- Report to your dealer any parts damaged in shipment.
- **Read all the instructions before starting the installation. Follow these instructions carefully during the installation to ensure maximum safety and benefit.**

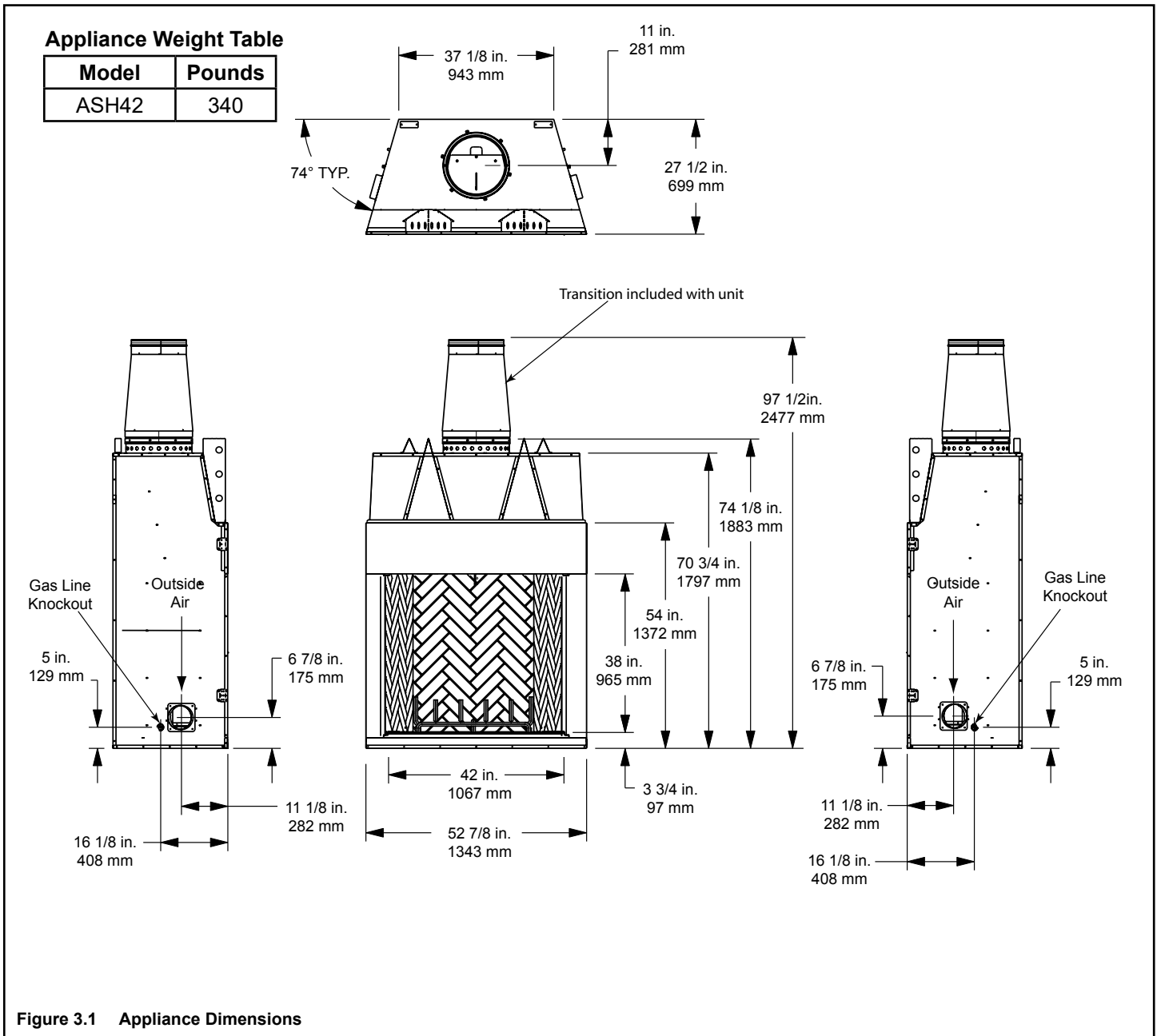
E. Fireplace System Requirements

The HHT fireplace system requirements consist of the following:

- Fireplace
 - Molded brick panels (hearth panel Included with fireplace, side and back panels sold separately)
 - Firescreen (included with fireplace)
 - Hearth Extension (sold separately)
 - Grate (included with fireplace)
- Outside Air System
 - Air Inlet Hood x2 (included with fireplace)
 - Flex (required, sold separately)
- Chimney System
 - Attic insulation shield (included with fireplace)
 - Chimney termination cap (sold separately)
- Non-combustible finish material

3 Framing and Clearances

A. Appliance Dimensions/Weight



B. Clearances

WARNING! Risk of Fire!

You must comply with all minimum air space clearances to combustibles as specified in Figure 3.2. **DO NOT** pack required air spaces with insulation or other materials. Framing or finishing material used on the front of, or in front of, the fireplace closer than the minimums listed must be constructed entirely of non-combustible materials (i.e., steel studs, concrete board, etc.). Failure to comply may cause fire.

Minimum Clearances to Combustibles

| WITHIN ENCLOSURE AREA | |
|------------------------------|----------------------------------|
| Fireplace to backwall | 1-1/2 in. (38 mm) |
| Fireplace to sidewall | 1-1/2 in. (38 mm) |
| Top standoffs to header | 0 in. (0 mm) |
| Door opening to sidewall | 24 in. (610 mm) |
| MANTEL | |
| Mantel minimum height | 22 in. (559 mm) above opening |
| Maximum mantel depth | 12 in. (305 mm) |

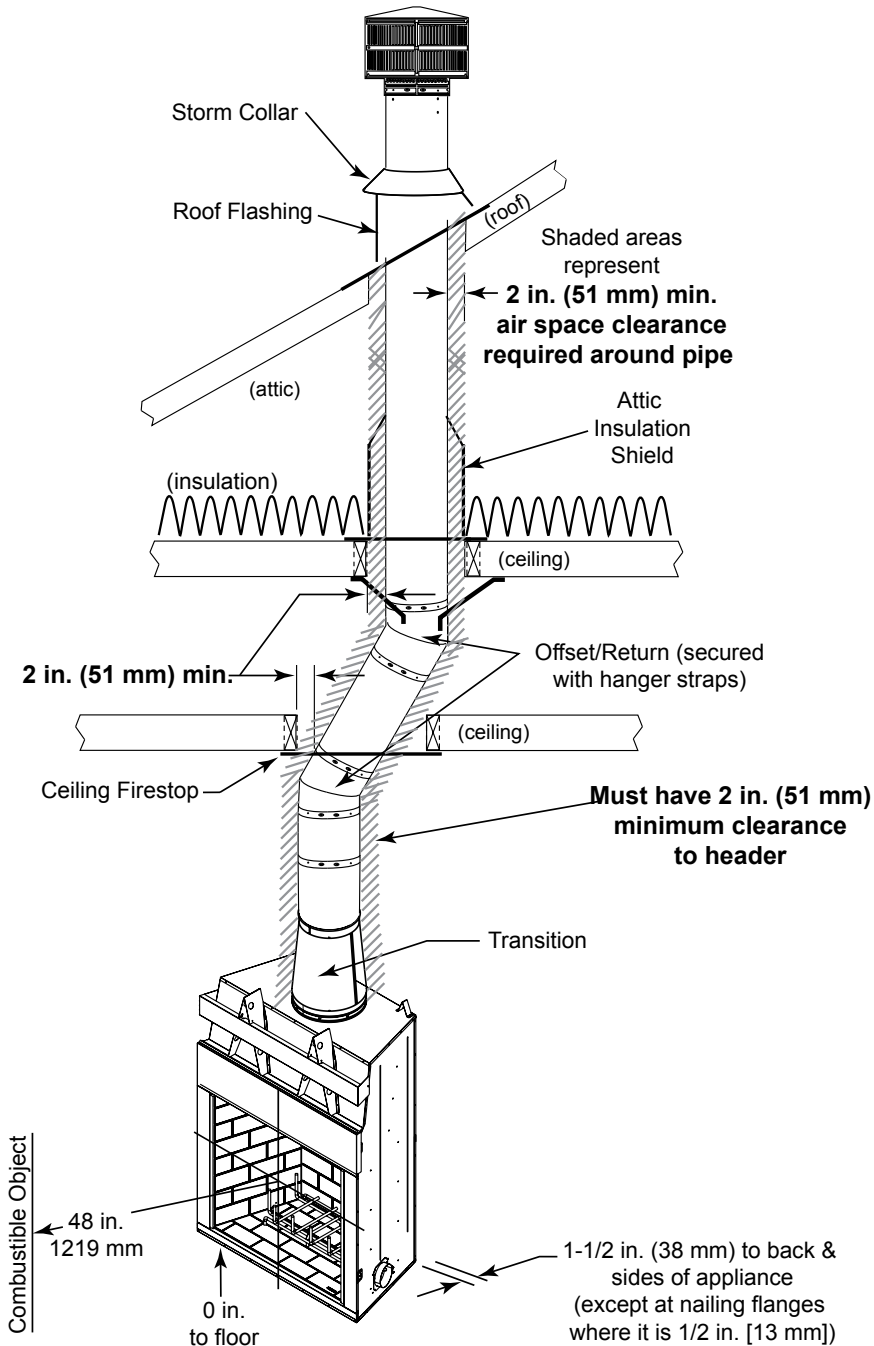


Figure 3.2 Clearances to Combustible Materials

C. Construct the Chase

A chase is a vertical boxlike structure built to enclose the fireplace and/or its vent system. Vertical chimneys that run on the outside of a building must be installed inside a chase.

In cold climates, Hearth & Home Technologies recommends that the chase be well insulated using batt type insulation between the joists.

Construction of the chase may vary with the type of building. These instructions are not substitutes for the requirements of local building codes. Local building codes **MUST** be checked.

Chases should be constructed in the manner of all outside walls of the home to prevent cold air drafting problems. The chase should not break the outside building envelope in any manner. All outer walls need to be insulated.

Building codes require false ceiling and ceiling firestops/attic shields at each floor of the chase or every 10 ft (3048 mm) of clear space to control spread of fire.

Walls, ceiling, base plate and cantilever floor at the first level of the chase should be insulated (see Figure 3.3.) Vapor and air infiltration barriers should be installed in the chase as per regional codes for the rest of the home. Additionally, Hearth & Home Technologies recommends that the inside surfaces be drywalled and taped (or the use of an equivalent method) for maximum air tightness.

Holes and other openings should be caulked with high temperature caulk or stuffed with unfaced fiber glass insulation.

WARNING! You must install false ceilings and ceiling firestops at each floor of the chase or every 10 ft (3.05 m) to control spread of fire.

WARNING! Risk of Fire! DO NOT seal area between fire stop opening and chimney pipe except where they enter the attic or leave the warm air envelope of the home (use 600° F sealant).

- The chase is constructed using framing materials much the same as the walls in your home. A variety of siding materials may be used including brick, stone, veneer brick, or standard siding materials.
- In constructing the chase, several factors must be considered:
 - **Maintain a 2 in. (51 mm) air space around the chimney.**
 - The chase top must be constructed of non-combustible material.
 - In cold climates, a firestop spacer and attic insulation shield should be installed in an insulated false ceiling at the 8 ft. (2438 mm) level above the fireplace assembly. This reduces heat loss through the chase.
 - In cold climates, the walls of the chase should be insulated to the level of the false ceiling as shown in Figure 3.3. This will help reduce heat loss from the home around the fireplace.

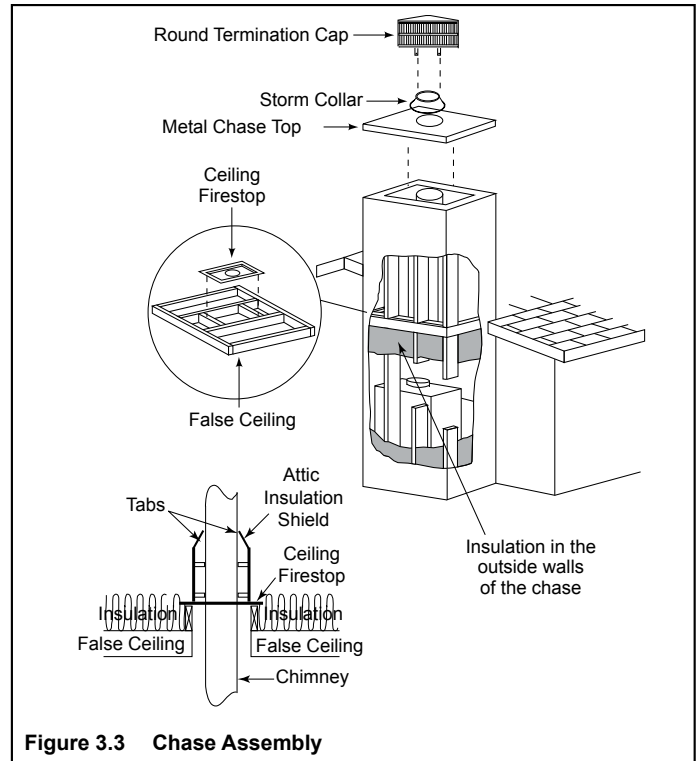


Figure 3.3 Chase Assembly

WARNING! Risk of Fire! You must maintain a minimum 2 in. (51 mm) air space clearance to insulation and other materials surrounding the chimney system.

- Insulation and other materials must be firmly secured to prevent accidental contact with chimney system.
- The chase must be properly blocked to prevent blown insulation or other combustibles from entering and making contact with fireplace or chimney.
- Failure to prevent contact between insulation or other materials and chimney system may cause overheating and fire.

Three examples of chase applications are shown in Figure 3.4.

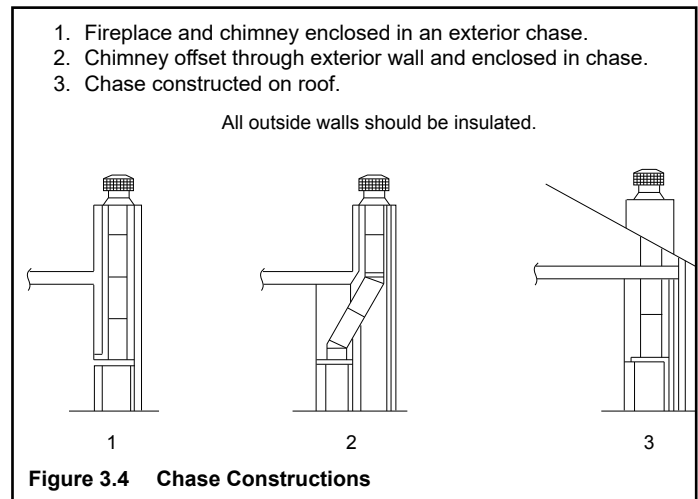


Figure 3.4 Chase Constructions

D. Frame the Fireplace

NOTICE: Hearth extension design must be determined before installation of fireplace.

If the fireplace is placed on the floor, the maximum height of a finished raised hearth is 3-3/4", if you want a higher raised hearth the fireplace must be placed on a platform.

Figure 3.5 shows a typical framing (using 2 x 4 lumber) of the fireplace, assuming combustible materials are used. All required clearances to combustibles around the fireplace must be adhered to. See Figure 3.2. Any framing across the top of the fireplace must be above the level of the top standoffs. (No recess above standoffs.)

The finished cavity depth must be no less than 28-1/2 in. (724 mm) from the finished backwall to the outside of front wall framing. Framing must extend straight up all the way to the ceiling.

Note: Before framing up the chase, consider where and how the chimney will run. If there are obstacles that might be in the way, it may be necessary to make the chase larger than shown to allow offsets to be used. Refer to offset chart on page 16.

WARNING! Risk of Fire! Comply with all minimum clearances specified.

- **A minimum 1-1/2 in. (38 mm) air clearance must be maintained at the back and 1-1/2 in. (38 mm) to the sides of the fireplace assembly.**
- *Chimney sections at any level require a 2 in. (51 mm) minimum air space clearance between the framing and chimney section.*

WARNING! Risk of Fire! You must comply with all minimum air space clearances to combustibles. **DO NOT** pack required air spaces with insulation or other materials.

CAUTION! Risk of Cuts/Abrasions. Wear protective gloves and safety glasses during installation. Sheet metal edges are sharp.

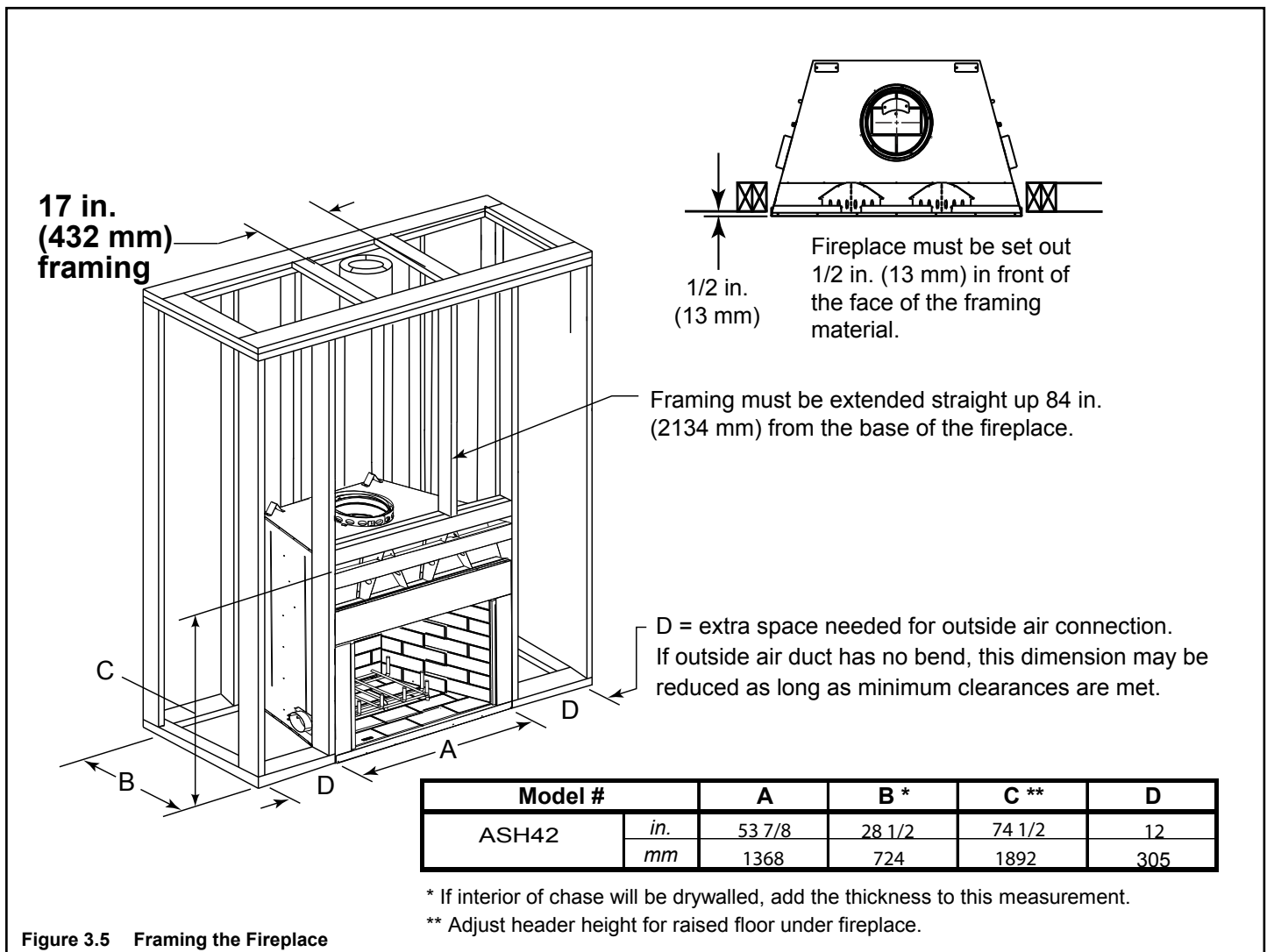


Figure 3.5 Framing the Fireplace

E. Secure and Level the Fireplace

This fireplace may be placed on either a combustible or noncombustible continuous flat surface. Slide the fireplace into position. Be sure to provide the minimum 1-1/2 in. air clearance at the sides and 1-1/2 in. at the back of the fireplace.

The fireplace should be positioned so the face of the non-combustible material on the fireplace will be flush with the face of the drywall on the walls.

Level the fireplace and shim as necessary.

WARNING! Risk of Fire! Prevent contact with sagging, loose insulation.

- **DO NOT** install against vapor barriers or exposed insulation.
- Secure insulation and vapor barriers.
- Provide minimum air space clearances at the sides and back of the fireplace assembly.

F. Protective Metal Hearth Strips

WARNING! Risk of Fire! Protective metal hearth strips MUST be installed on combustible surfaces. DO NOT cover metal strips with combustible materials. Sparks or embers may ignite flooring.

WARNING! Risk of fire! High temperatures, sparks, embers or other burning material falling from the fireplace may ignite flooring or concealed combustible surfaces.

- Protective metal hearth strips MUST be installed.
 - Hearth extensions MUST be installed exactly as specified.
-
- Locate the two protective metal hearth strips measuring approximately 26 in. x 4 in. (660 mm x 102 mm) included with this fireplace.
 - Slide each metal strip 2 in. (51 mm) under front edge of fireplace.
 - Overlap strips in the middle of fireplace opening by 1 in. (25 mm) minimum.
 - Metal strips must extend beyond the front and sides of the fireplace opening by at least 2 in. (51 mm), Figure 3.6).
 - Protect the front of a platform elevated above the hearth extension with metal strips (not included with fireplace) per Figure 3.7. See Section 7 for hearth extension instructions.

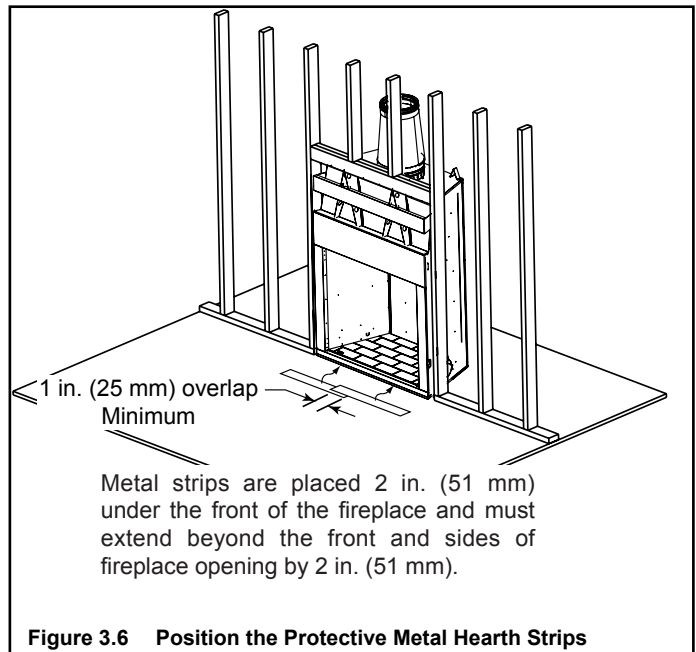


Figure 3.6 Position the Protective Metal Hearth Strips

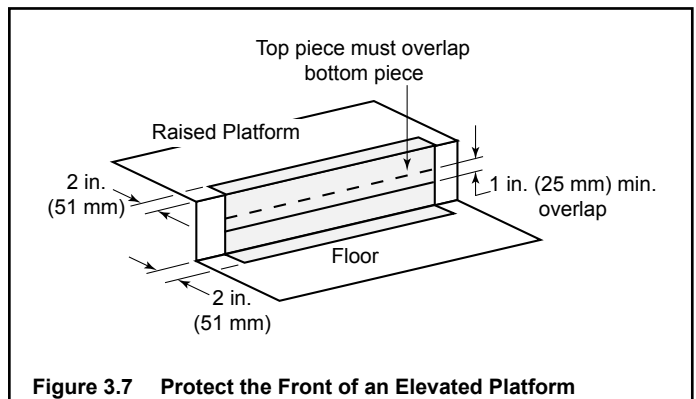


Figure 3.7 Protect the Front of an Elevated Platform

G. Outside Air Kit (Required on both sides)

Outside air kits must be used for combustion and to provide cooling air to prevent overheating. Hearth & Home Technologies recommends you utilize the shortest duct run to optimize the performance of the outside air kit and install a P-Trap (see Figure 3.10). The outside air inlet hoods should be positioned in a manner that will not allow snow, leaves, etc. to block the inlet. In some installations the air duct may need to be run vertically. In such an installation, a 3 ft (914 mm) height difference must be maintained from the top of the uppermost chimney section to the outside air inlet hoods.

Refer to Figures 3.8 and 3.9 when placing the outside air inlets.

Note: Maximum length is 40 feet.

WARNING! Risk of Fire! The outside air kits are installed on the both sides of the fireplace to prevent overheating and fire.

- Cut a 6-1/2in. (165 mm) hole in outside wall to accommodate air piping.
- Use 6 in. (152 mm) flex (not supplied) to directly connect outside air to fireplace intake. Insulate the pipe to prevent frost condensation.
- Use the supplied outside air inlet hoods.
- Seal between the wall and the pipe with silicone to prevent moisture penetration and air leaks.
- Seal between the outside air inlet hoods and the house with silicone to prevent air infiltration.

CAUTION! Risk of Fire or Asphyxiation! DO NOT draw outside combustion air from wall, floor or ceiling cavity, or enclosed spaces such as an attic or garage.

- **DO NOT** place outside air inlet hood close to exhaust vents or chimneys. Fumes or odor could be drawn into the room through the fireplace.
- Locate outside air inlet hood to prevent blockage from leaves, snow/ice, or other debris. Blockages could cause combustion air starvation and unit overheat.

NOTICE: The fireplace provides some outside air for combustion. Other methods may be necessary if more air is required.

CAUTION! Risk of Cuts/Abrasions. Wear protective gloves and safety glasses during installation. Sheet metal edges are sharp.

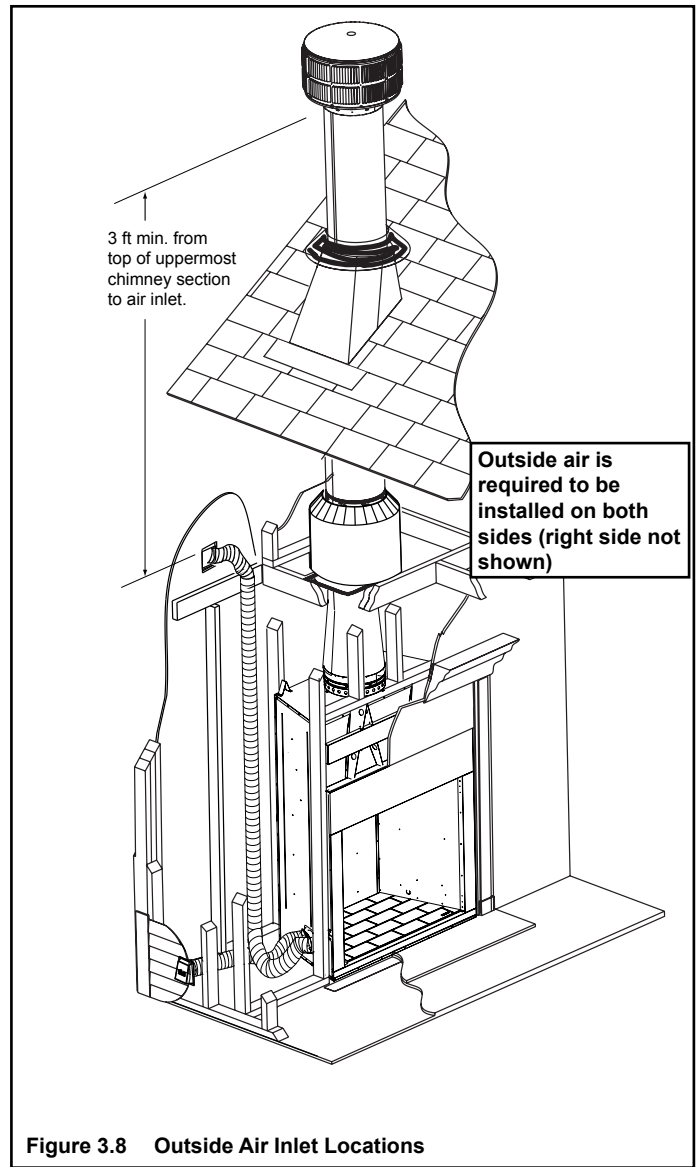


Figure 3.8 Outside Air Inlet Locations

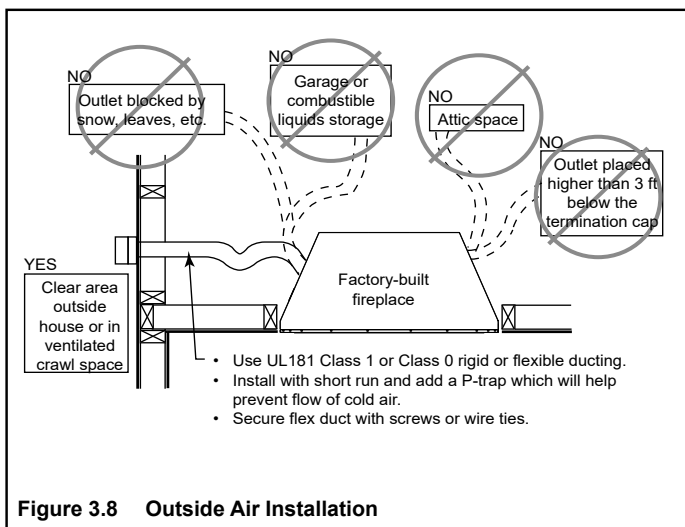


Figure 3.8 Outside Air Installation

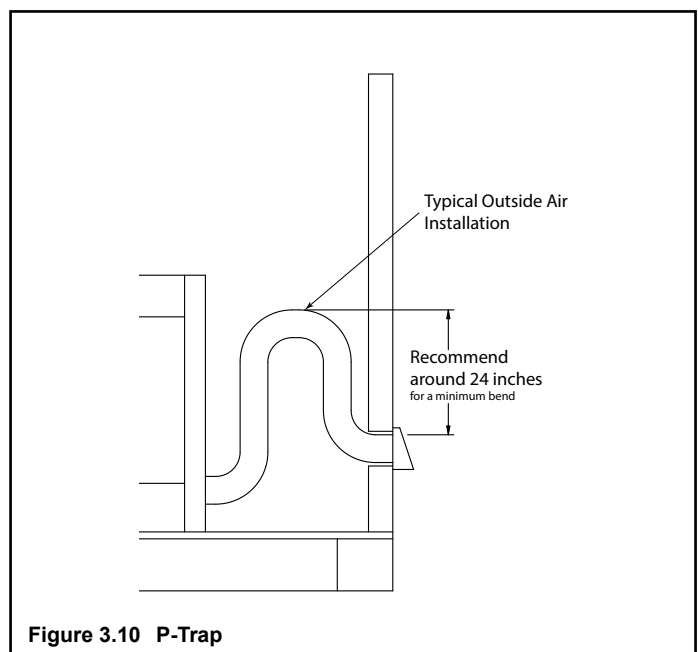


Figure 3.10 P-Trap

4 Chimney and Termination Requirements

A. Chimney Requirements

Vertical distances are measured from the base of the fireplace as shown in Figure 4.1.

Table 4.1 Chimney Requirements

| | | |
|--------------------------------------------------------------------|---------|-----------|
| • Minimum overall straight height | 18 ft | (5.5 m) |
| • Minimum height with offset/return | 18.5 ft | (5.64 m) |
| • Maximum height | 90 ft | (27.43 m) |
| • Maximum chimney length between an offset and return | 20 ft | (6.1 m) |
| • Maximum distance between chimney stabilizers | 35 ft | (10.67 m) |
| • Maximum unsupported chimney length between the offset and return | 6 ft | (1.83 m) |
| • Maximum unsupported chimney height above the fireplace | 35 ft | (10.67 m) |
| • Maximum unsupported chimney above roof | 6 ft | (1.83 m) |
| • Minimum height with double offset/return | 22.5 ft | (6.86 m) |

NOTICE: A maximum of two pairs of offsets and returns may be used.

WARNING! Risk of Fire! You must maintain 2 in. (51 mm) air space clearance to insulation and other combustible materials around the chimney system. Failure to do so may cause overheating and fire.

NOTICE: You must provide support for the pipe during construction and check to be sure inadvertent loading has not dislodged the chimney section from the fireplace or at any chimney joint.

Table 4.2 Chimney Component Dimensions

| HEIGHT OF CHIMNEY COMPONENTS | | in. | mm |
|------------------------------|--------|--------|------|
| Chimney Stabilizer | | | |
| | SL11 | 4-3/4 | 121 |
| Offsets/Returns | | | |
| | SL1130 | 18 | 457 |
| Chimney Sections* | | | |
| | SL1106 | 4-3/4 | 121 |
| | SL1112 | 10-3/4 | 273 |
| | SL1118 | 16-3/4 | 425 |
| | SL1136 | 34-3/4 | 883 |
| | SL1148 | 46-3/4 | 1187 |

* Dimensions reflect effective height.

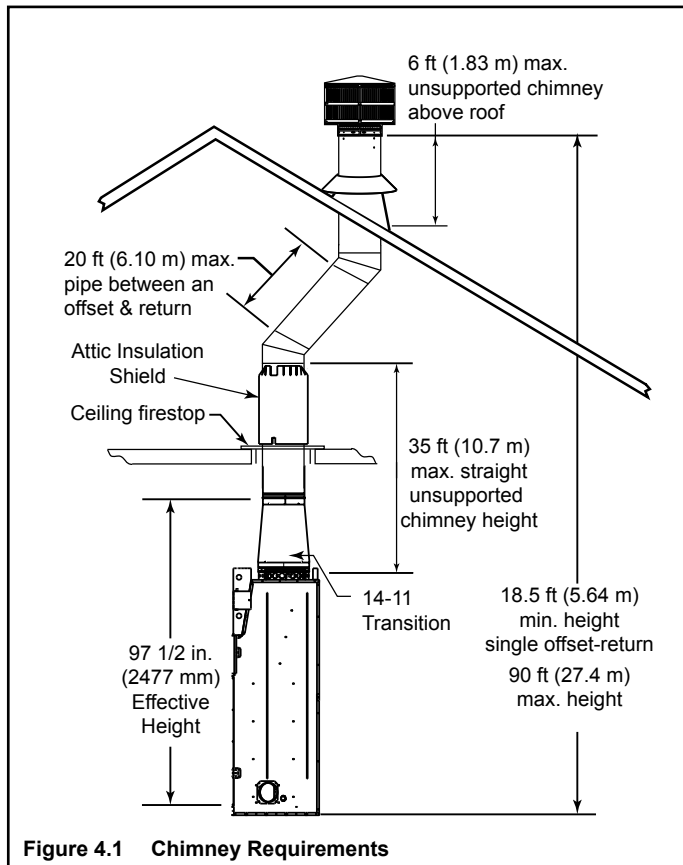


Figure 4.1 Chimney Requirements

B. Offsets/Returns

- Use an offset/return to bypass overhead obstructions.
- An offset and return can be used as a single entity or separated by chimney section(s).

WARNING! Risk of Fire! DO NOT use offset/returns greater than 30°. Chimney draft will be restricted and could cause overheating and fire. Secure offsets with screws (not to exceed 1/2" / 13 mm in length) Secure returns with strapping. Straight chimney sections may be secured with screws. Keep chimney sections from separating or twisting.

- Measure the shift needed to avoid the overhead obstruction. Refer to dimension A in Figure 4.2.
- Find the appropriate A dimension listed in Table 4.3. The B dimension coinciding with the A dimension measurement in Table 4.3 represents the required vertical clearance needed to complete the offset/return.
- Read across the chart to find the number of chimney sections/model numbers needed between the offset and return.

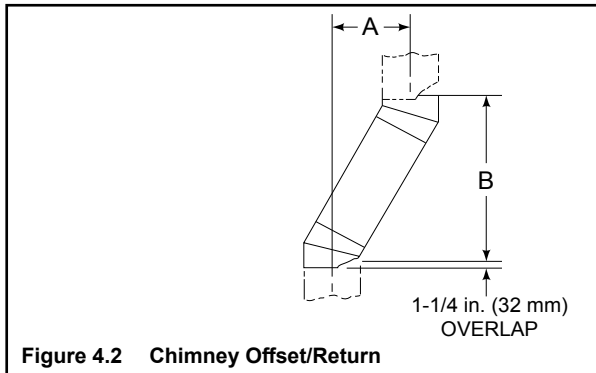


Figure 4.2 Chimney Offset/Return

Example:

Your "A" dimension from Figure 4.2 is 14-1/2 in. (368 mm). Using Table 4.3 the dimension closest to, but not less than 14-1/2 in. (368 mm) is 15-3/4 in. (400 mm) using a 30° offset/return.

You determine from the table that you need 36-5/8 in. (930 mm) (Dimension "B") between the offset and return.

The chimney components that best fits your application are two SL1112's.

Table 4.3 Offset Dimensions

| A | | B | | SL1106 | SL1112 | SL1118 | SL1136 | SL1148 |
|--------|------|--------|------|--------|--------|--------|--------|--------|
| in. | mm | in. | mm | | | | | |
| 4 7/8 | 124 | 17 7/8 | 454 | - | - | - | - | - |
| 7 1/4 | 184 | 22 | 559 | 1 | - | - | - | - |
| 9 3/4 | 248 | 26 1/8 | 664 | 2 | - | - | - | - |
| 10 1/4 | 260 | 27 1/4 | 692 | - | 1 | - | - | - |
| 12 3/4 | 324 | 31 3/8 | 797 | 1 | 1 | - | - | - |
| 13 1/4 | 337 | 32 3/8 | 822 | - | - | 1 | - | - |
| 15 3/4 | 400 | 36 5/8 | 930 | - | 2 | - | - | - |
| 18 1/8 | 460 | 40 3/4 | 1035 | 1 | 2 | - | - | - |
| 18 3/4 | 476 | 41 3/4 | 1060 | - | 1 | 1 | - | - |
| 21 3/4 | 552 | 47 | 1194 | - | - | 2 | - | - |
| 22 1/4 | 565 | 48 | 1219 | - | - | - | 1 | - |
| 24 3/4 | 629 | 52 1/8 | 1324 | 1 | - | - | 1 | - |
| 27 3/4 | 705 | 57 3/8 | 1457 | - | 1 | - | 1 | - |
| 28 1/4 | 718 | 58 3/8 | 1483 | - | - | - | - | 1 |
| 30 3/4 | 781 | 62 1/2 | 1588 | 1 | - | - | - | 1 |
| 33 3/4 | 857 | 67 3/4 | 1721 | - | 1 | - | - | 1 |
| 36 3/4 | 933 | 73 | 1854 | - | - | 1 | - | 1 |
| 39 3/4 | 1010 | 78 1/8 | 1984 | - | - | - | 2 | - |
| 41 1/8 | 1045 | 82 3/8 | 2092 | 1 | - | - | 2 | - |
| 45 3/4 | 1162 | 88 1/2 | 2248 | - | - | - | 1 | 1 |
| 48 1/8 | 1222 | 92 3/4 | 2356 | 1 | - | - | 1 | 1 |
| 51 3/4 | 1314 | 98 7/8 | 2511 | - | - | - | - | 2 |

Proper assembly of air cooled chimney parts results in an overlap of chimney joints of 1-1/4 in. (32 mm). Effective length is built into this table.

C. Termination Requirements

- Install a cap approved and listed for this fireplace system.
- Locate cap where it will not become plugged by snow or other materials.
- Locate cap away from trees or other structures.
- The bottom of the termination cap must be at least 3 ft (.91 m) above the roof AND at least 2 ft (.61 m) above any portion of roof within 10 ft (3.05 m).
- The distance required between caps is shown below.

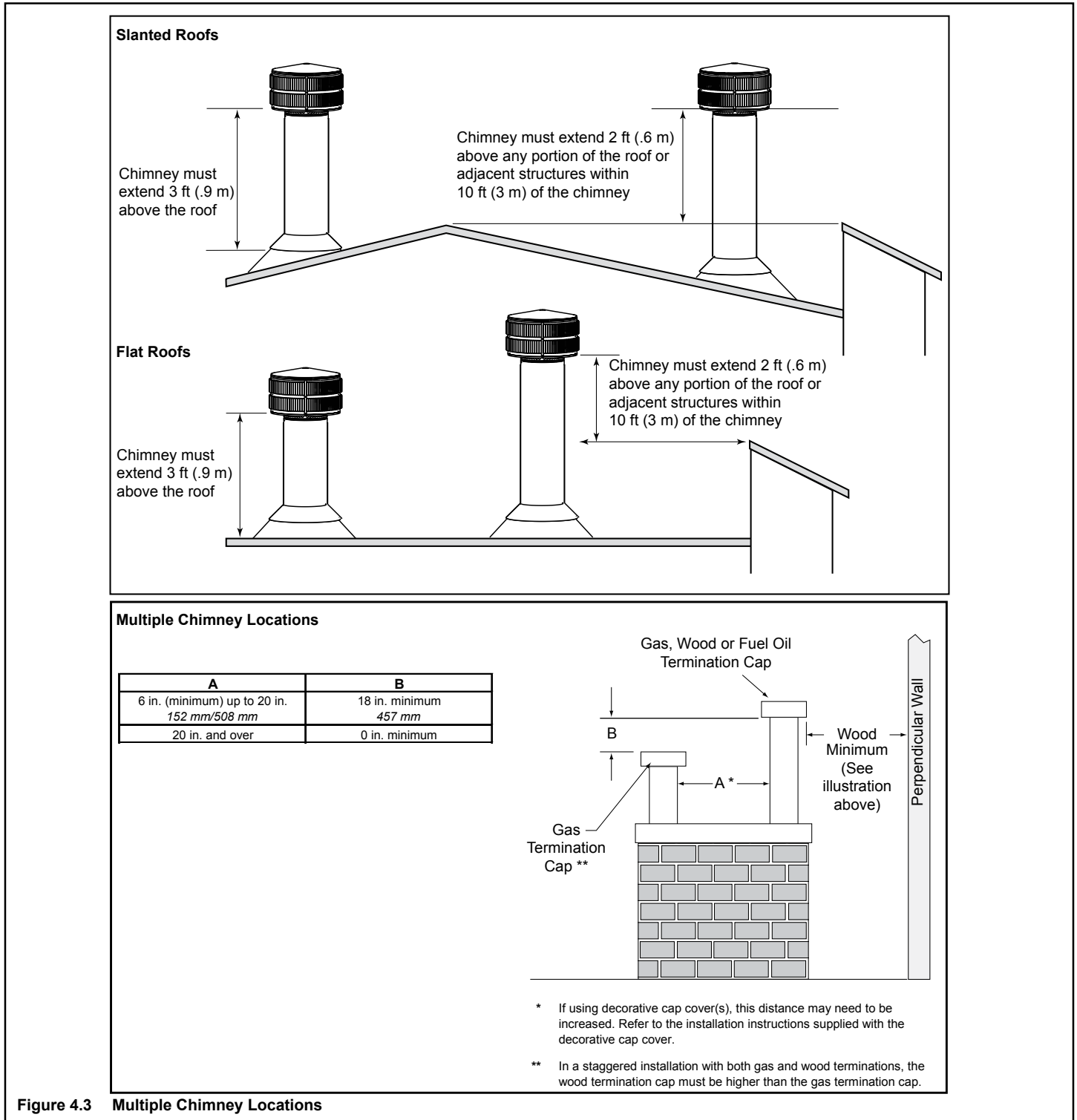


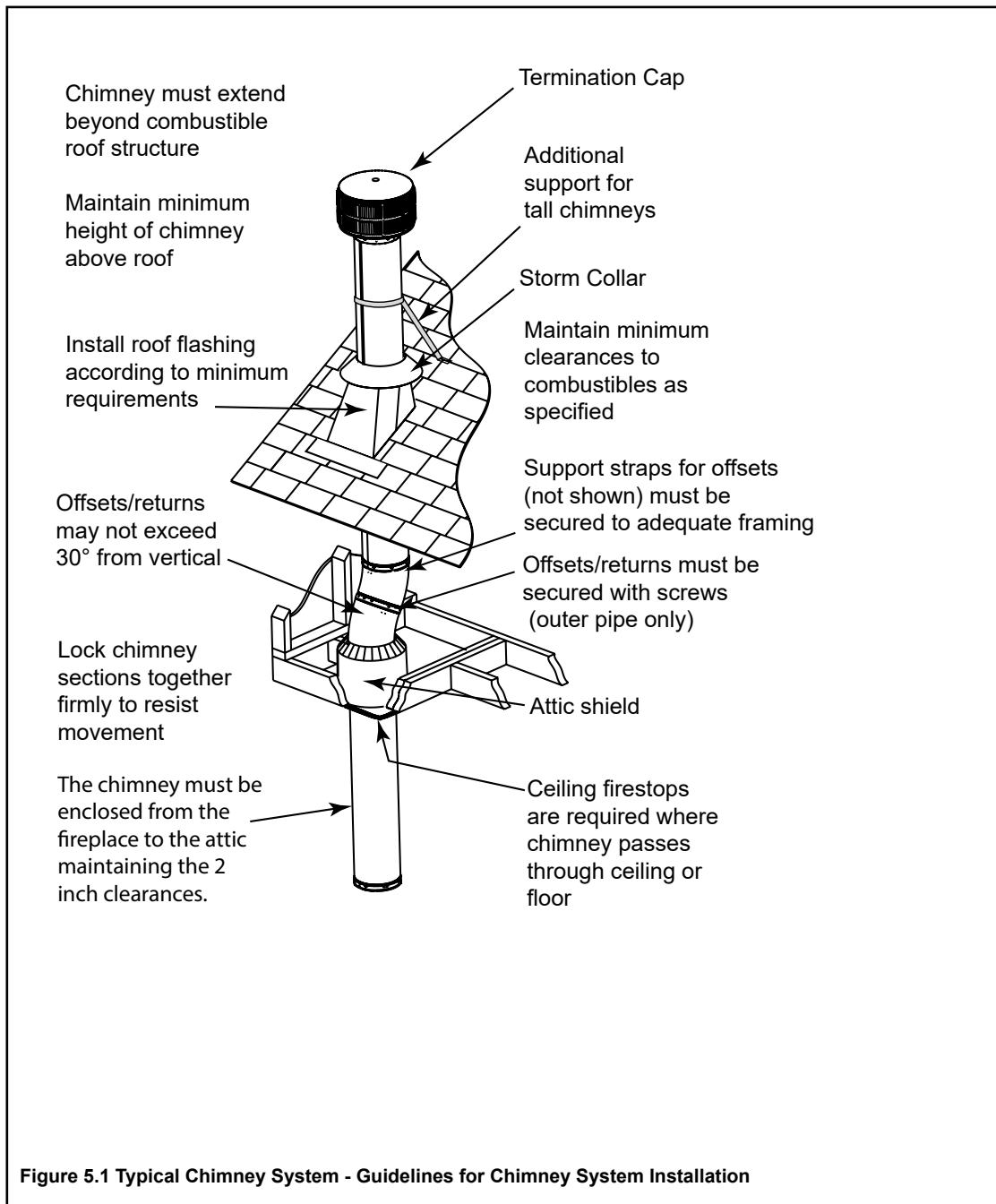
Figure 4.3 Multiple Chimney Locations

5 Chimney Installation

A. Typical Chimney System

NOTICE: Chimney performance may vary.

- Trees, buildings, roof lines and wind conditions affect performance.
- Chimney height may need adjustment if smoking or overdraft occurs.



B. Assemble Chimney Sections

Use only those components described in this manual.

Substitute or damaged chimney components could impair safe operation and cause overheating and fire.

Attach either a straight chimney section or an offset to the top of the fireplace (depending on your installation requirement). Chimney sections are locked together by pushing downward until the top section meets the stop bead on the lower section.

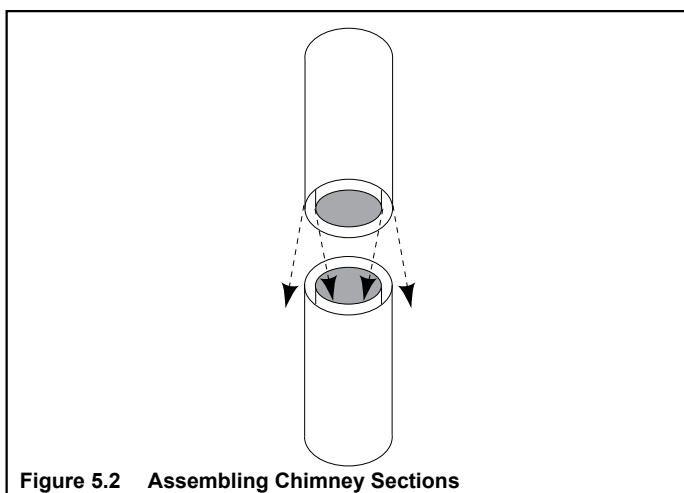
The inner flue is placed to the inside of the flue section below it. The outer casing is placed outside the outer casing of the chimney section below it. See Figure 5.2.

NOTICE: Chimney sections cannot be disassembled once locked together. Plan ahead!

- Lock chimney sections and/or offsets/returns together by pushing downward until the top section meets the stop bead on the lower section.
- Pull on the top section to make sure it is fully engaged and will not separate.
- You may use #6 or #8 sheet metal screws no longer than 1/2 in. (13 mm) to fasten chimney sections together. Do NOT penetrate inner flue.

WARNING! Risk of Fire! You **MUST** use screws to fasten offset/returns to chimney sections to keep the chimney parts from twisting. Failure to do so could cause fire.

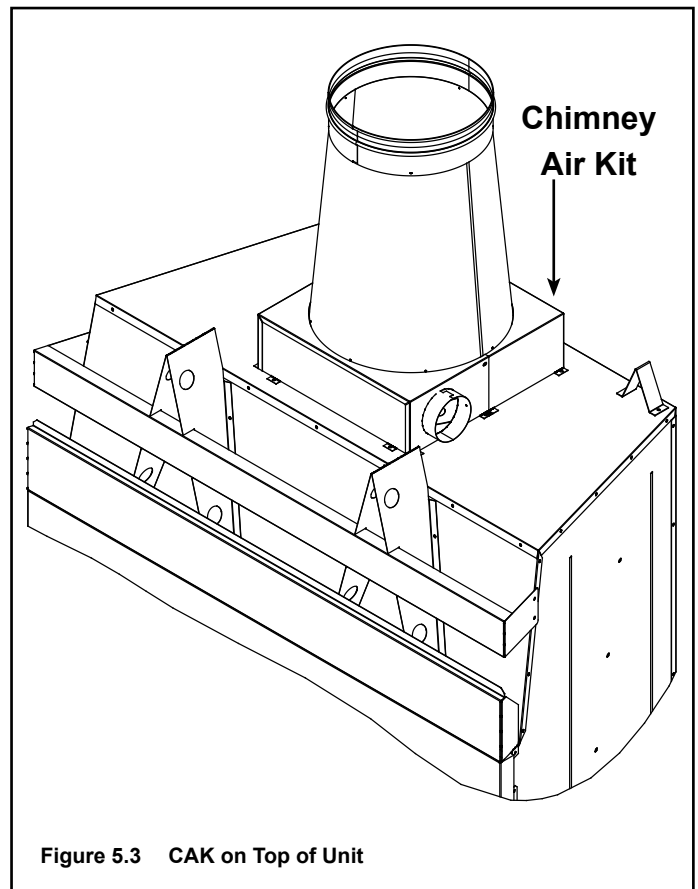
- Fasten offset/returns to chimney sections. Do NOT penetrate inner flue.
- Secure chimney returns with hanger straps provided; fasten to studs or joists.
- Vertical straight runs of chimney must be supported every 35 ft (10.7 m).



WARNING! Risk of Fire! DO NOT install substitute or damaged chimney components.

C. Install Chimney Air Kit (optional)

- Follow instructions included with accessory.



D. Secure Offset/Return

When offsets and returns are joined to straight pipe sections, they must be locked into position with the screws (outer only). To prevent gravity from pulling the chimney sections apart, the returns and the chimney stabilizers have hanger straps for securing these parts to joists or rafters. See Figure 5.4.

- * Use # 6 or # 8 sheet metal screw, or larger, no longer than 1/2 in. (13 mm).

WARNING! Risk of Fire!

- Secure offsets with screws (not to exceed 1/2 in./13 mm in length).
- Secure returns with strapping.
- Straight chimney sections may be secured with screws (not to exceed 1/2 in./13 mm in length) at the joints.
- Keep chimney sections from separating or twisting.

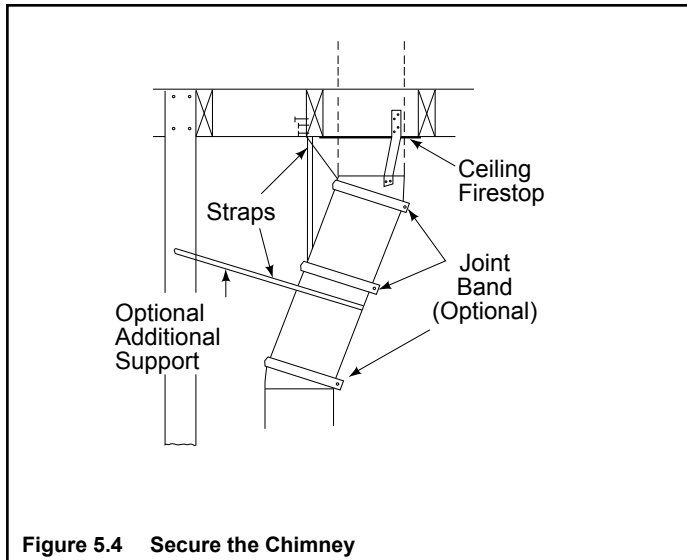


Figure 5.4 Secure the Chimney

E. Install Ceiling Firestops

CAUTION! Risk of Fire! Ceiling firestops must be used whenever the chimney penetrates a ceiling/floor.

- Chase construction requires ceiling firestops at each floor or every 10 ft. (3.05 m) of clear space.
- The ceiling firestop slows spread of fire and reduces cold air infiltration.
- Install a ceiling firestop whenever chimney penetrates ceiling/floor.
- Mark and cut an opening in ceiling as shown in Figure 5.5.
- Frame the opening with the same size lumber used in the ceiling joists.
- Nail the ceiling firestop to the bottom of the ceiling joists when there is a room above.
- Use an attic insulation shield if the ceiling is insulated. The ceiling firestop may then be attached above or below the joists.

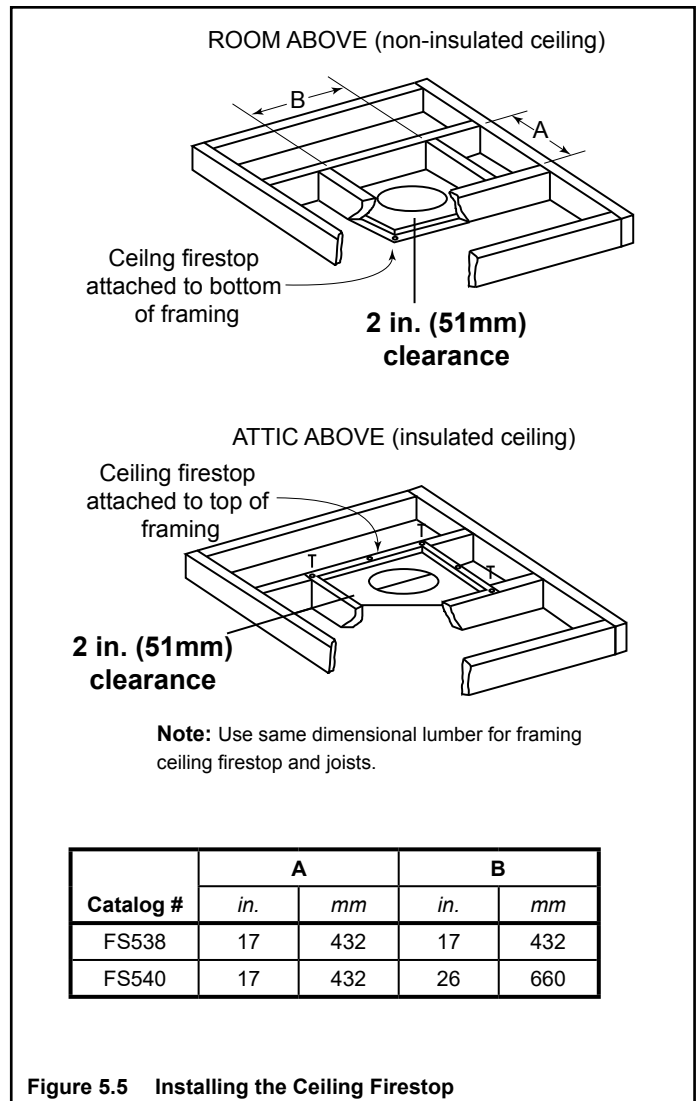


Figure 5.5 Installing the Ceiling Firestop

WARNING! Risk of Fire! DO NOT seal area between firestop opening and chimney pipe except where they enter the attic or leave the warm air envelope of the home (use 600° F sealant).

F. Install Attic Insulation Shield

WARNING! Risk of Fire! You **MUST** install an attic insulation shield when there is any possibility of insulation or other combustible material coming into contact with the chimney.

- **DO NOT** pack insulation between the chimney and the attic insulation shield.
- Failure to keep insulation and other materials away from chimney pipe could cause fire.
- **DO NOT** offset chimney inside insulation shield.
- Combustible material may come into contact with the attic insulation shield as long as the required clearances are maintained to the chimney pipe.

Installation of a ceiling firestop is required:

- Refer to Figures 5.5, 5.6, 5.7.
- If the attic shield is pre-rolled continue. If it is a flat part, try and roll it up to aid in wrapping it around the chimney.
- Pre-bend all the tabs in at the top to 45°.
- Wrap the shield (around the chimney if already installed) until you have an overlap and the three holes on each side match up (large holes on top).
- Insert three screws into the matching holes to form a tube starting at the bottom.
- Bend the tabs on the bottom of the tube inward to 90° to maintain chimney air space.
- Rest the insulation shield on the ceiling firestop below.
- Tape off any opening around the bottom.

If you wish to make a custom shield or barrier, follow these guidelines:

- Metal is preferred, although any material stiff enough to hold back the insulation can be used.

WARNING! Risk of Fire! Use of cardboard or other materials that can deflect under humidity or other environmental conditions is not recommended.

- The shield or barrier must be tall enough to extend above the insulation and prevent blown-in insulation from spilling into the cavity.
- Maintain specified air spaces around chimney.
- Check instructions and local codes for further details.

Double-check the Chimney Assembly

Continue assembling the chimney sections up through the ceiling firestops as needed. While doing so, be aware of the height and unsupported chimney length limitations given under Section 5.

Check each section by pulling up slightly from the top to ensure proper engagement before installing the succeeding sections. If they have been connected correctly, they will not disengage when tested.

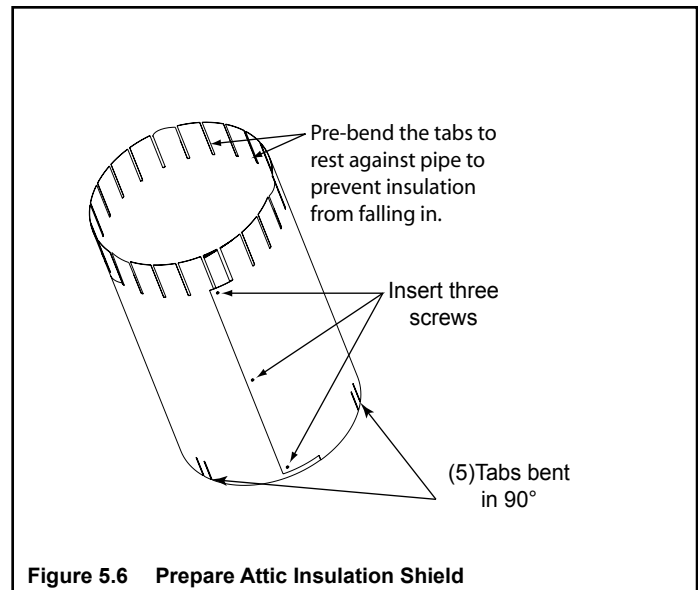


Figure 5.6 Prepare Attic Insulation Shield

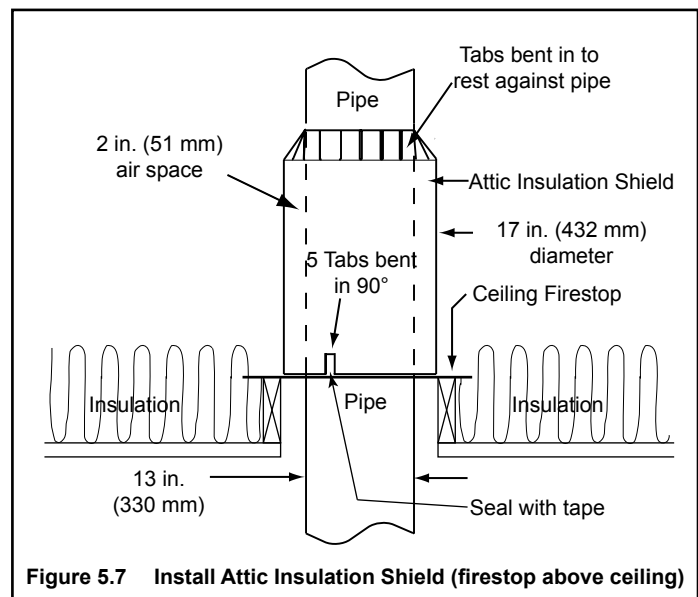


Figure 5.7 Install Attic Insulation Shield (firestop above ceiling)

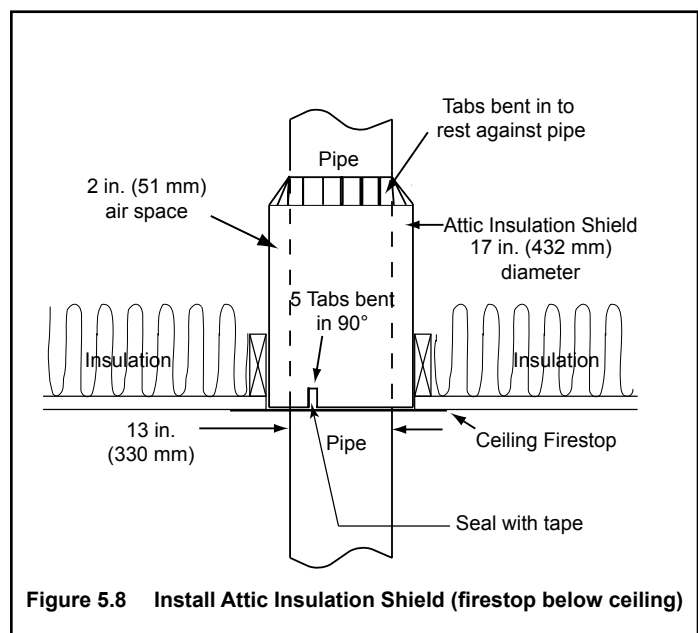


Figure 5.8 Install Attic Insulation Shield (firestop below ceiling)

G. Roof Penetration

- Refer to Figure 5.9.
- Plumb from roof to center of chimney.
- Drive a nail up through roof to mark center of pipe.
- Measure to either side of nail and mark the 17 in. x 17 in. (432 mm x 432 mm) opening required.
- Measure opening on the horizontal; actual length may be larger depending on roof pitch.
- Cut out and frame opening.

Install Flashing

- Assemble chimney so it passes through the framed opening.
- Slip the flashing over the chimney.

NOTICE: Roofing shingles must be below the flashing plate on the lower side of a sloped roof and over the flashing plate on the sides and top.

- Nail the flashing to the roof. Keep gaps between the flashing plate and the roof to a minimum.
- Caulk the flashing plate and roof junction as well as the vertical seam on the flashing. All nail heads must be caulked with a roofing sealant.
- Caulk the overlap seam of any exposed pipe sections that are located above the roof line to prevent leaks.

H. Install Chase/Chase Top

- You **MUST** use a chase top in a chase installation. Chase tops may be field constructed.
- Include a turndown and drip edge to prevent water from seeping into the chase.
- Include a 2 in. (51 mm) soldered, welded or spun collar around pipe opening to keep water out.
- Provide a 1/8 in. (3 mm) gap around the flue pipe.
- Slope the chase top downward away from the opening.

WARNING! Risk of Fire! DO NOT caulk the pipe to the chase top collar.

- Caulk all seams to prevent leaks.

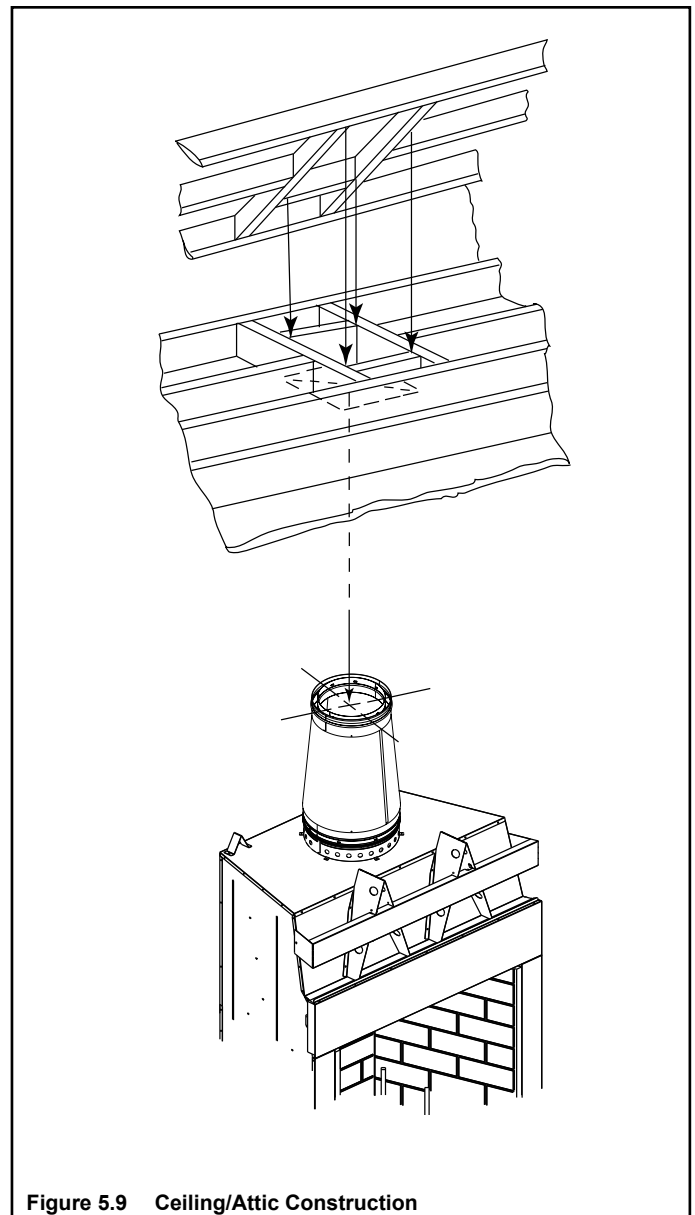


Figure 5.9 Ceiling/Attic Construction

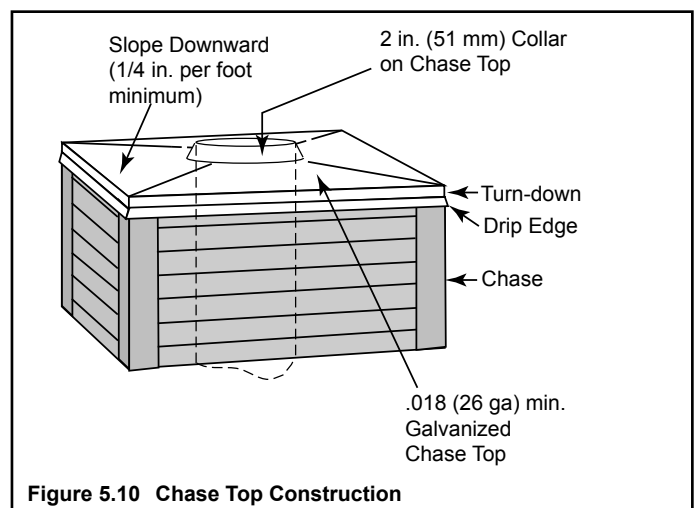


Figure 5.10 Chase Top Construction

I. Termination Cap Requirements

- Install a cap approved and listed for this fireplace system.
- Locate cap where it will not become plugged by snow or other materials.
- Locate cap away from trees or other structures.
- The bottom of the termination cap must be at least 3 ft (.91 m) above the roof AND at least 2 ft (.61 m) above any portion of roof within 10 ft (3.05 m).

J. Install Termination Cap

Install the chimney sections up through the chase enclosure.

- Caulk the overlap seam of any exposed pipe sections that are located above the roof line to prevent leaks.
- Refer to termination cap instructions.

WARNING! Risk of Fire! Use only termination caps described in this manual. The minimum overlap of cap to pipe (as shown in the following illustrations) **MUST** be met or chimney may separate from cap. Separation allows sparks, heat and embers to escape.

NOTICE: Paint the termination cap with a rust-resistant paint to protect against the effects of corrosion on those parts exposed to the weather.

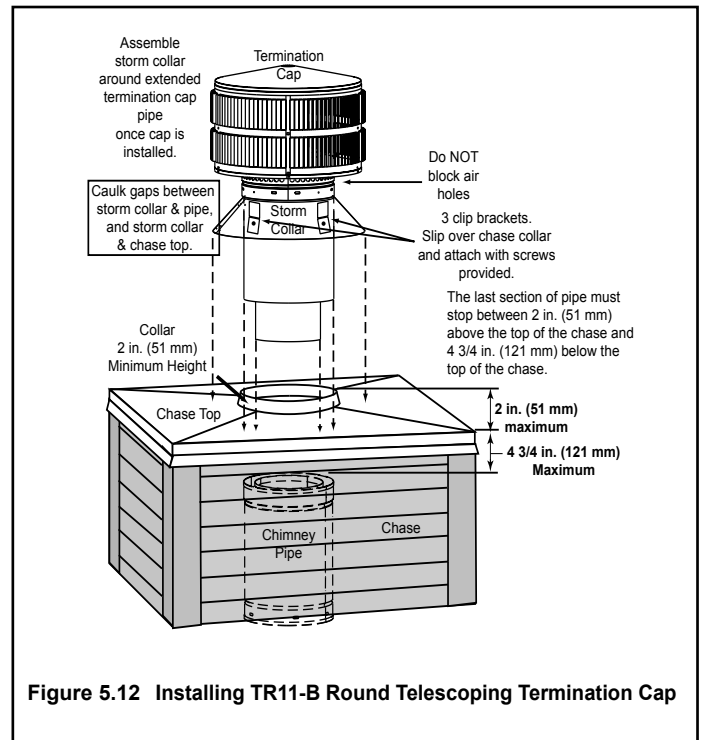


Figure 5.12 Installing TR11-B Round Telescoping Termination Cap

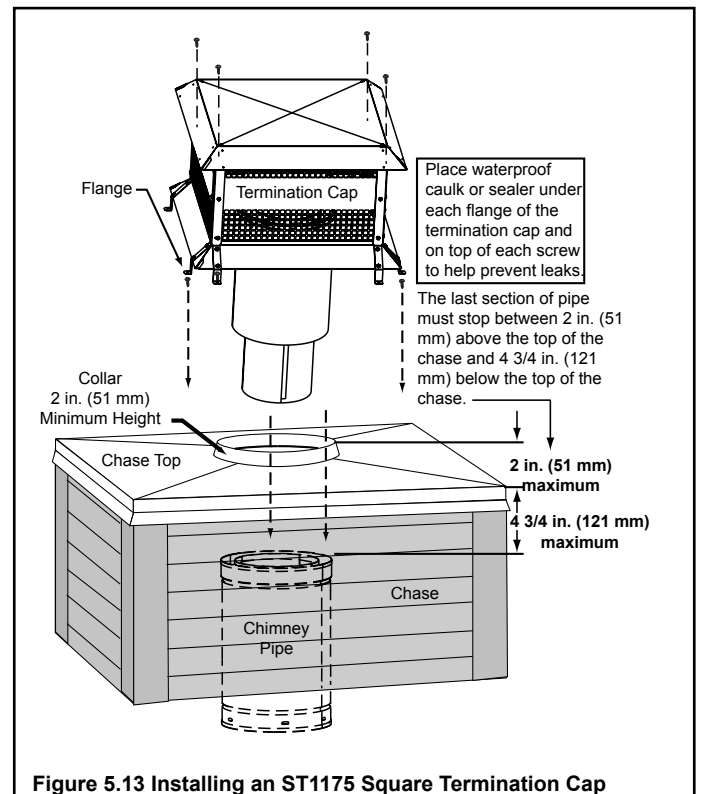


Figure 5.13 Installing an ST1175 Square Termination Cap

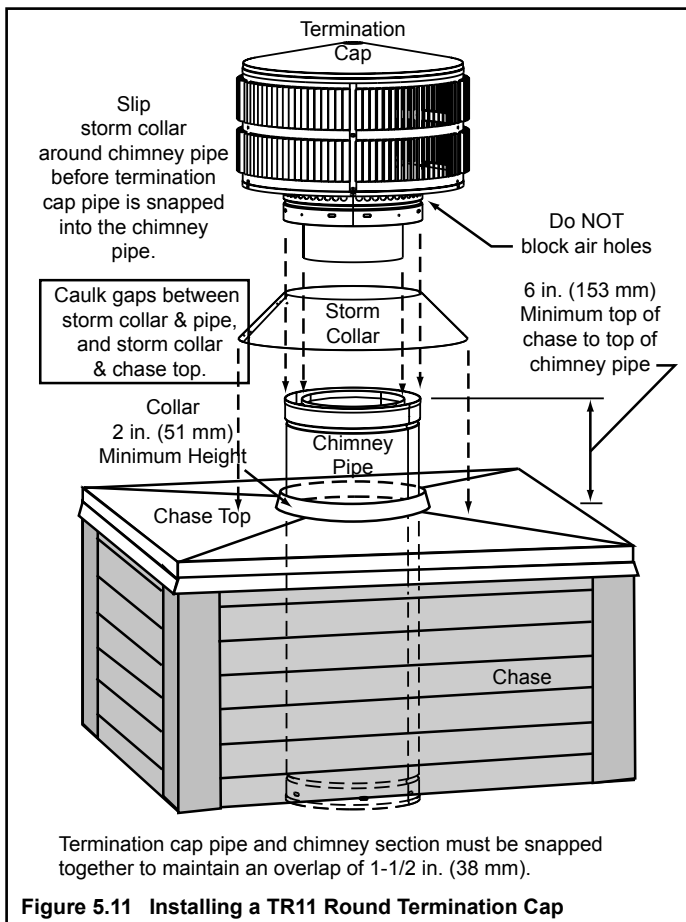
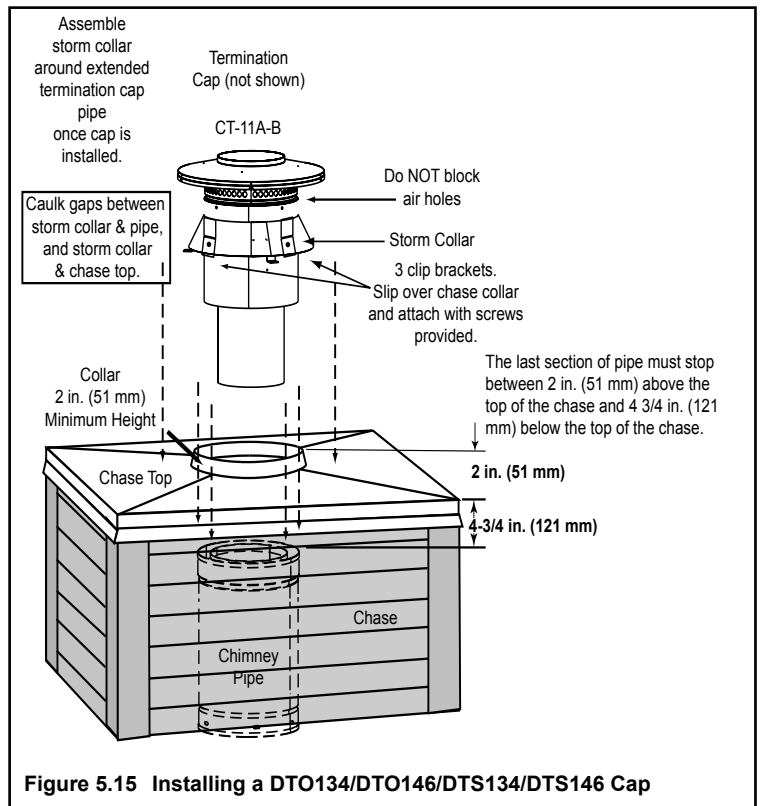
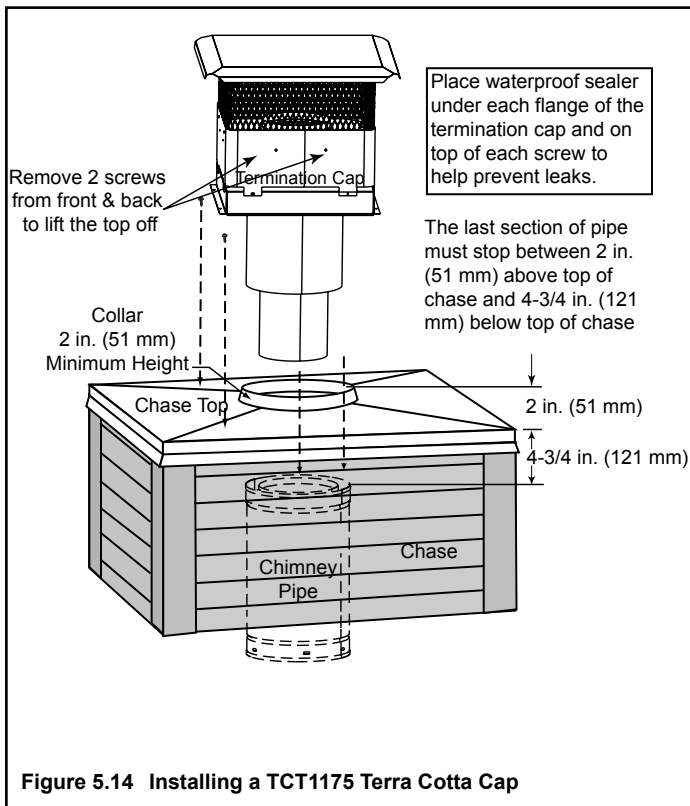


Figure 5.11 Installing a TR11 Round Termination Cap



6 Shrouds

WARNING! Risk of Fire! Shrouds must be constructed as specified. Improper construction may overheat chase top.

Shrouds may be field constructed where permitted by regional building codes.

NOTICE: Some regional codes require an agency-Listed shroud. Consult your local building officials.

The shrouds must be constructed from minimum .018 in. (26 ga) thick aluminized steel.

Some shrouds require a radiation shield. Use where specified.

A. Radiation Shield

Radiation shield must be constructed of minimum 26 ga thick sheet metal.

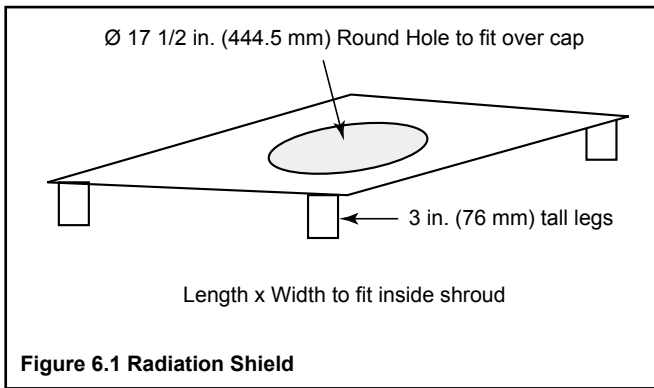


Figure 6.1 Radiation Shield

B. Field Constructed Shrouds

The following field constructed shroud designs have been tested for HHT fireplace systems and termination caps.

1. Open Top Shroud

TR11/TR11T TV (top vent) caps do not require radiation shield.

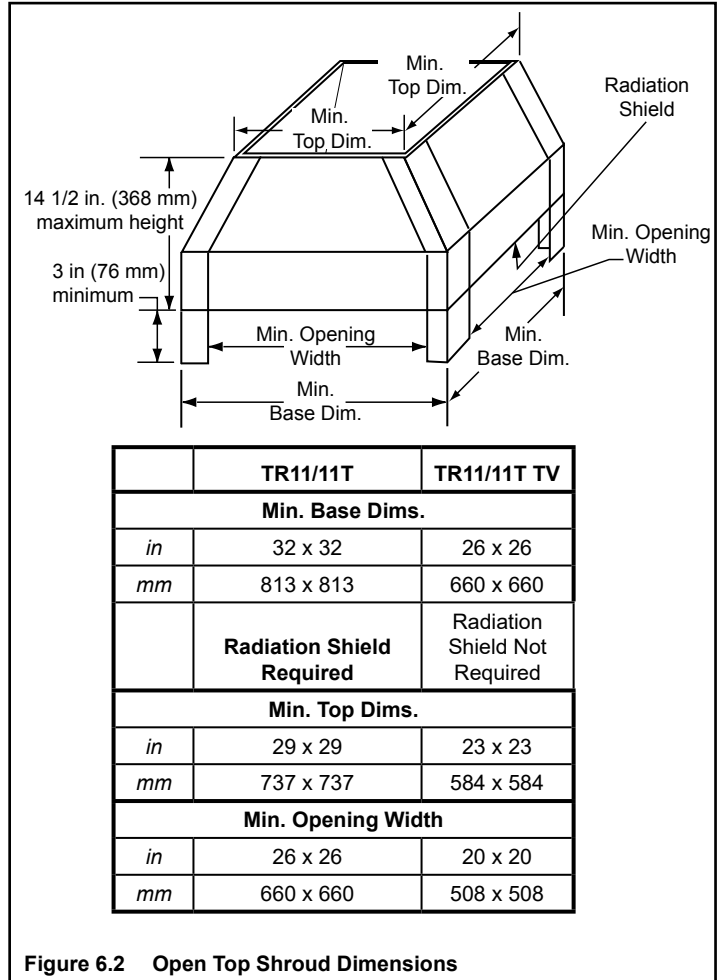


Figure 6.2 Open Top Shroud Dimensions

TR11/TR11T caps require radiation shield unless installed partially above the shroud. The TR cap must be raised to the minimum dimensions (or greater) above the shroud. Refer to Figure 6.3.

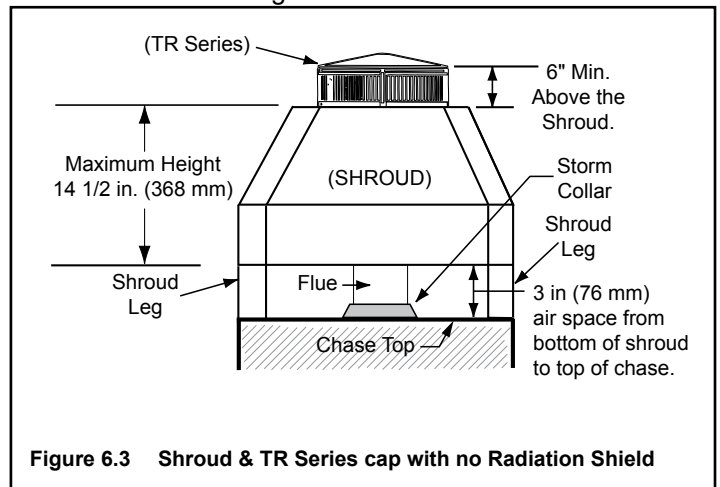


Figure 6.3 Shroud & TR Series cap with no Radiation Shield

2. Mailbox Style Shroud

Radiation shield required

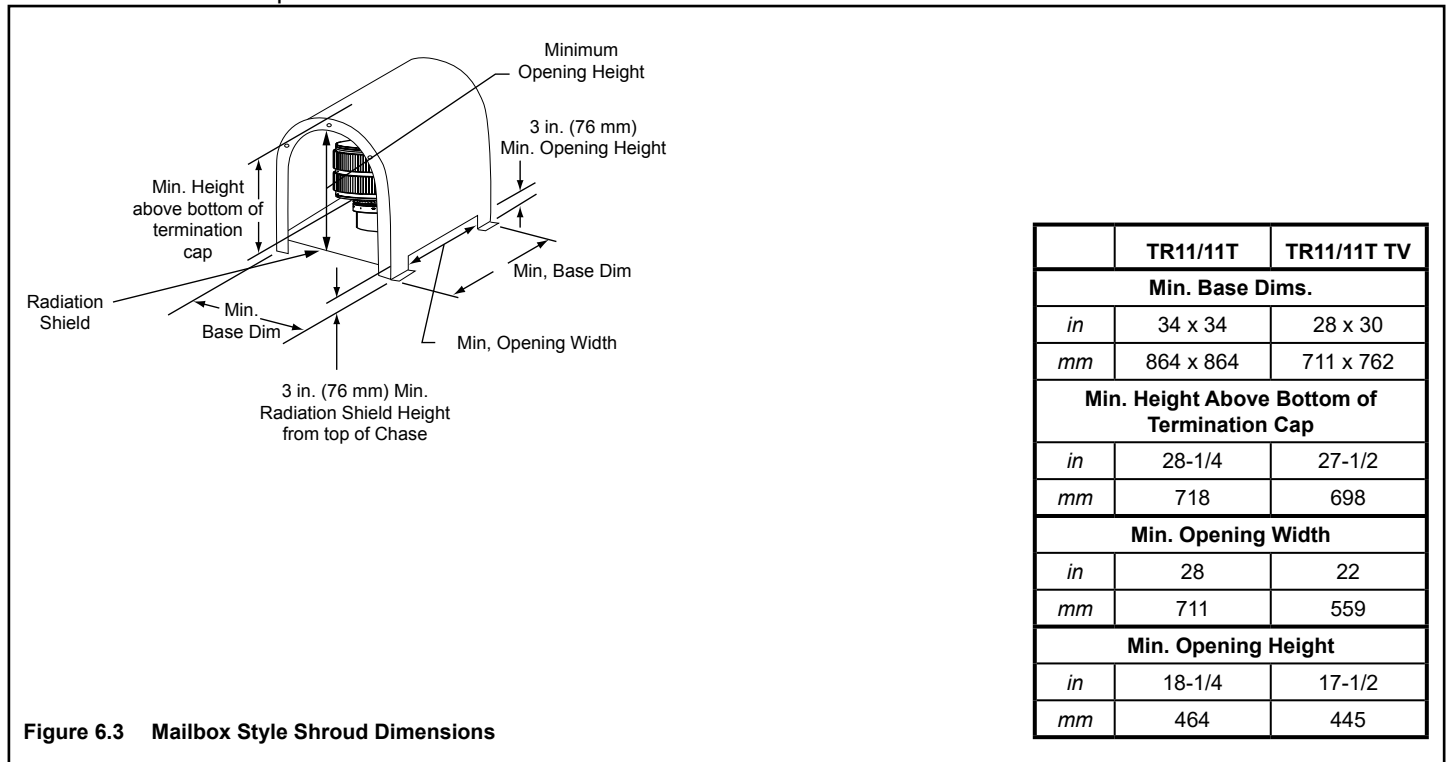


Figure 6.3 Mailbox Style Shroud Dimensions

3. Roofed Style Shroud

Radiation shield required

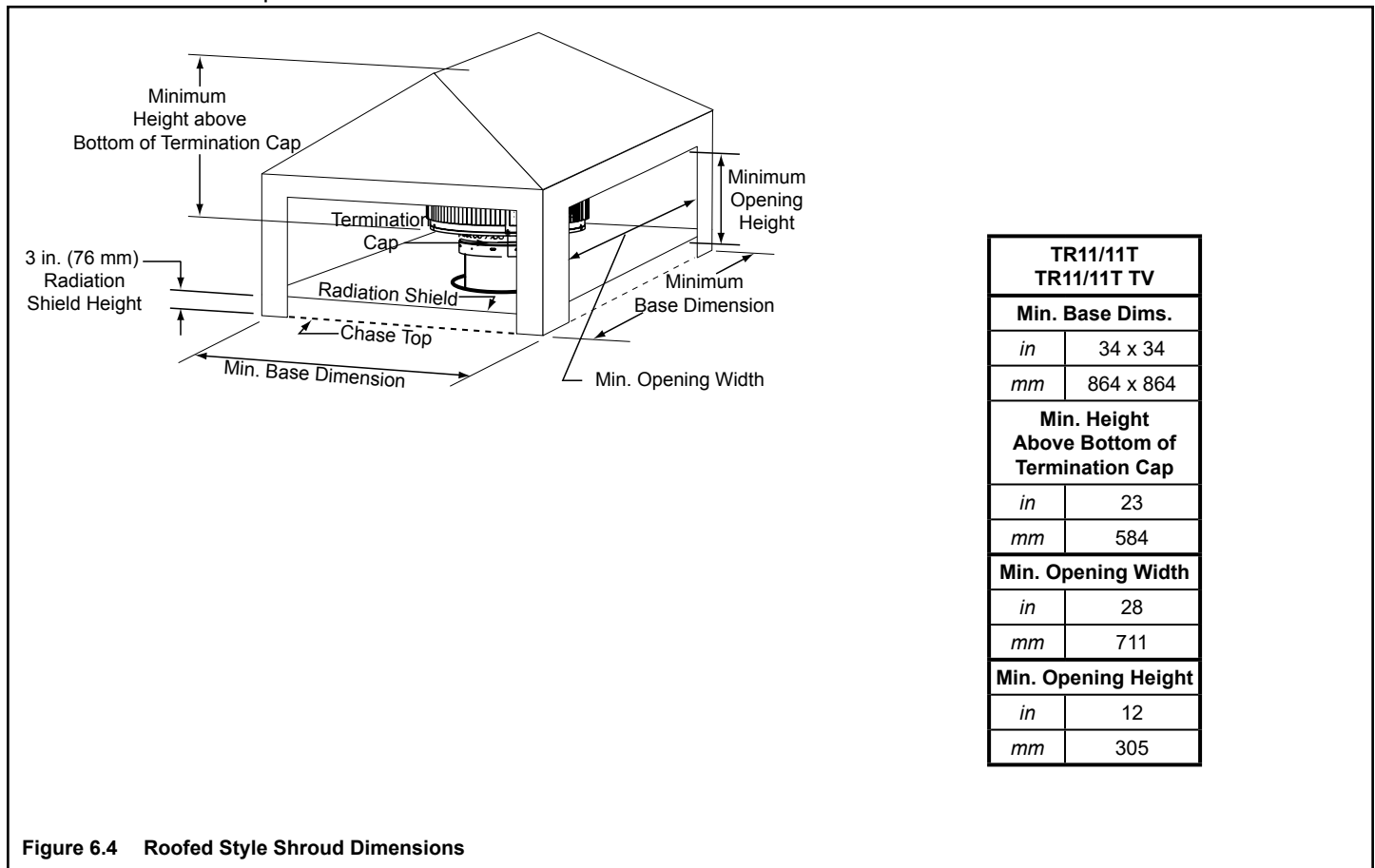


Figure 6.4 Roofed Style Shroud Dimensions

7 Finishing

A. Finishing Material

Refer to Sections 1.B. and Sections 1.C. for combustible/non-combustible materials. Refer to Figure 7.1 for non-combustible zone.

WARNING! Risk of Fire! You must maintain clearances.

- **DO NOT** cover metal fireplace front with combustible materials.
- Install combustible materials only to specified clearances on top front and side edges.
- Apply metal lath to the metal face or non-combustible board with corrosion-resistant, self-drilling, self-tapping screws capable of penetrating the metal surface of the fireplace face in preparation for final finishing material.
- Complete framing and apply facing material drywall over framing.
- A bead of 300-deg F minimum non-combustible sealant must be used to close off any gaps at the top and sides between the fireplace and drywall to prevent cold air leaks.
- Only non-combustible materials may be used to cover the metal fireplace front.

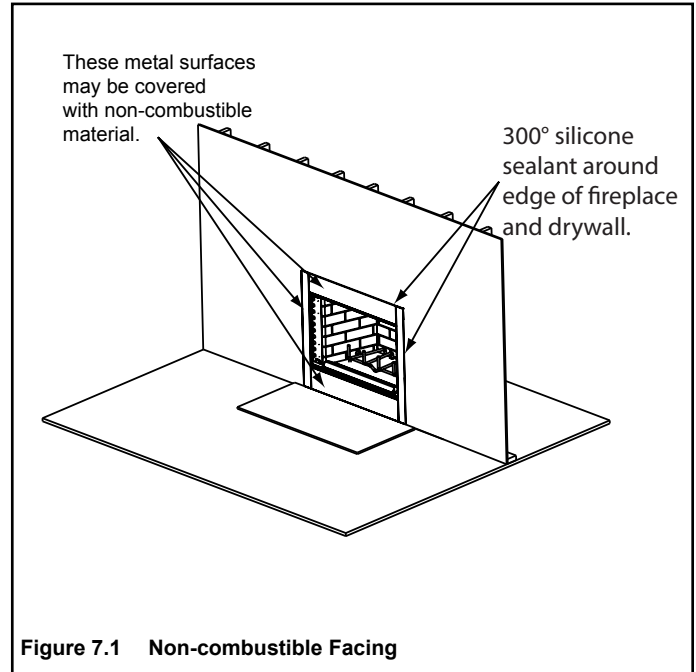


Figure 7.1 Non-combustible Facing

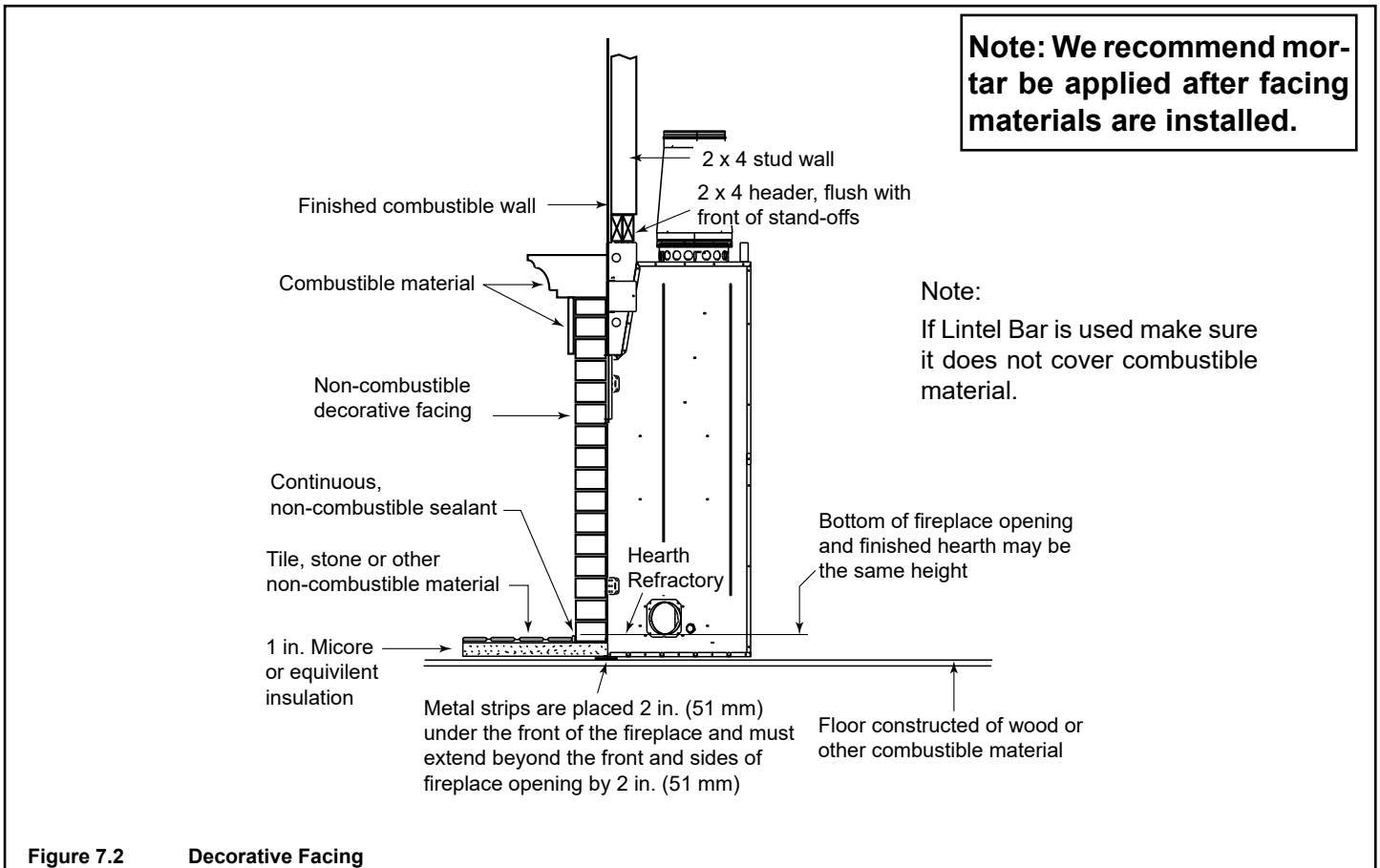


Figure 7.2 Decorative Facing

VERY IMPORTANT: Allow the mortar 72 hours to cure before operating the fireplace.

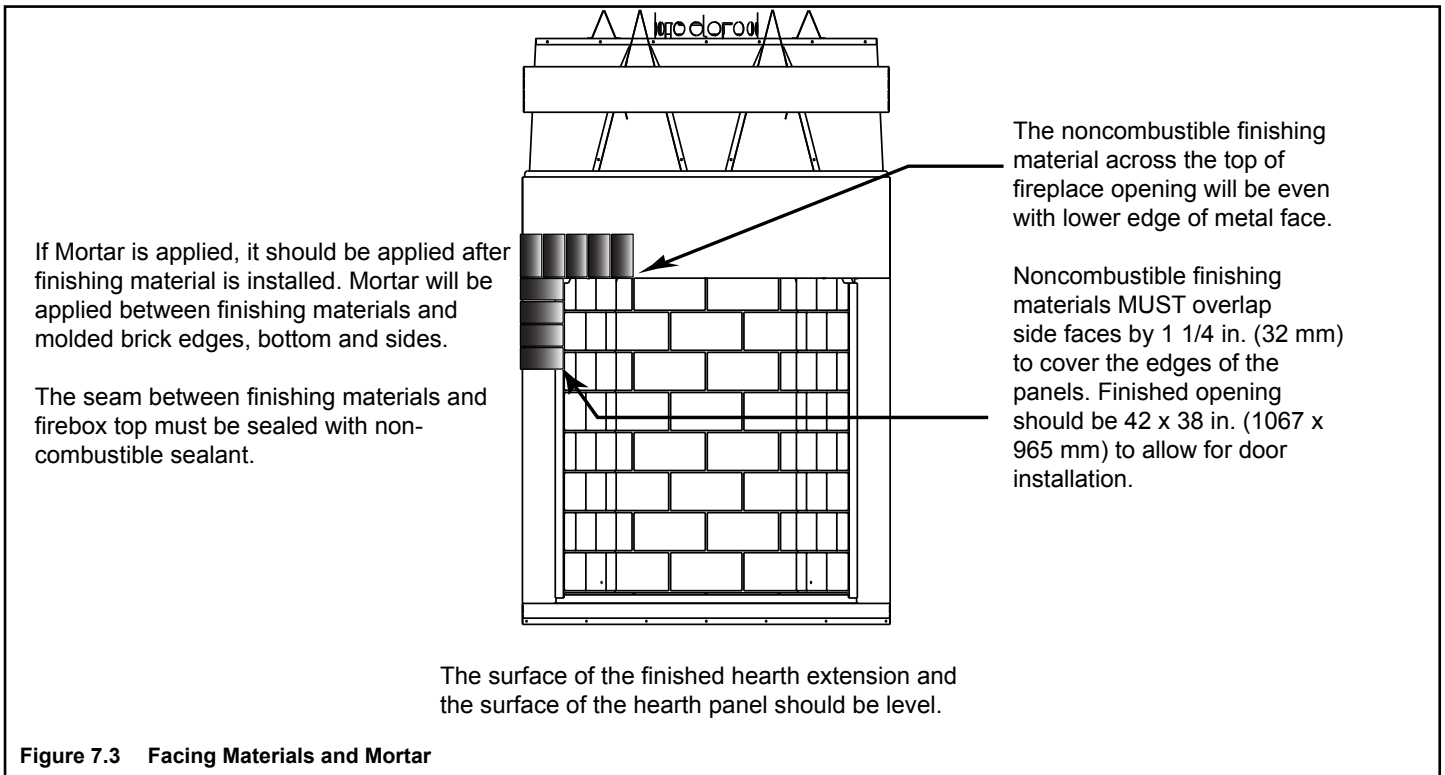


Figure 7.3 Facing Materials and Mortar

B. Hearth Extension, Building and Finishing

WARNING! Risk of Fire! High temperatures, sparks, embers or other burning material falling from the fireplace may ignite flooring or concealed combustible surfaces.

- Protective metal hearth strips **MUST** be installed.
- Hearth extensions **MUST** be installed exactly as specified.

A hearth extension must be installed with all fireplaces to protect the combustible floor in front of the fireplace from both radiant heat and sparks.

- You **MUST** use a hearth extension with this fireplace.
- Refer to Figure 7.4 for minimum dimensions.
- This fireplace has been tested and approved for use with a hearth extension insulated to a minimum R value of 2.06.
- The hearth extension material **MUST** be covered with tile, stone or other non-combustible material.
- Manufactured hearth materials will usually have a published **R value** (resistance to heat) or **k value** (conductivity of heat). Refer to the formula in Table 6.1 to convert a k value to an R value,
- Refer to Table 6.2 for hearth extension insulation alternatives.

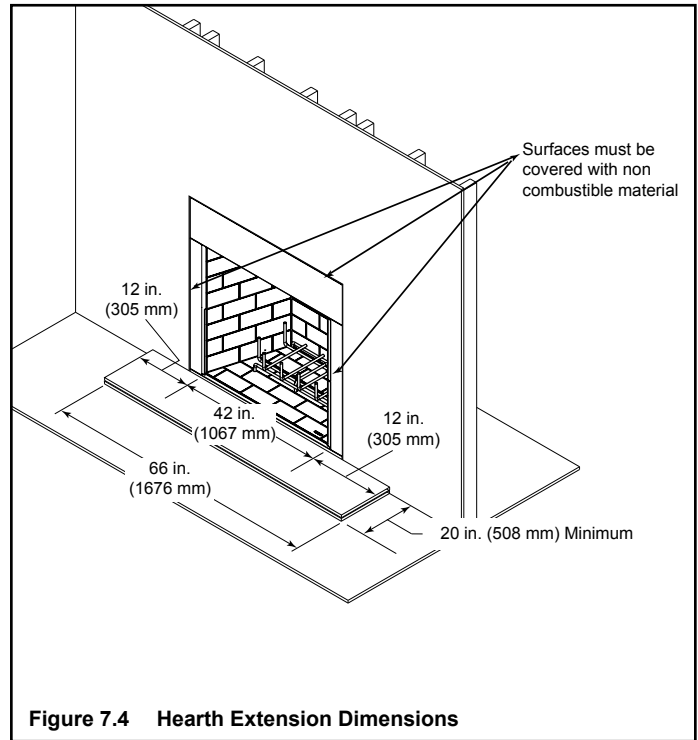


Figure 7.4 Hearth Extension Dimensions

Table 6.1

$$R = 1/k \times \text{inches of thickness}$$

Table 6.2

| Hearth Extension Insulation Alternatives, R Value = 2.06 | | | |
|----------------------------------------------------------|------------------|------------------|----------------------------|
| Material | k per inch thick | r per inch thick | Minimum thickness required |
| Hearth & Home HX3, HX4 | 0.49 | 2.06 | 1 in. |
| USG Micore 300™ | 0.49 | 2.06 | 1 in. |
| USG Durock™ Cement Board | 1.92 | 0.52 | 4 in. |
| Cement Mortar | 5.0 | 0.20 | 10 1/2 in. |
| Common Brick | 5.0 | 0.20 | 10 1/2 in. |
| Ceramic Tile | 12.50 | 0.08 | 25 3/4 in. |
| Armstrong™ Privacy Guard Plus | 0.46 | 2.18 | 1 in. |
| Marble | 14.3-20.0 | 0.07-0.05 | 29 1/2 - 41 1/4 in. |

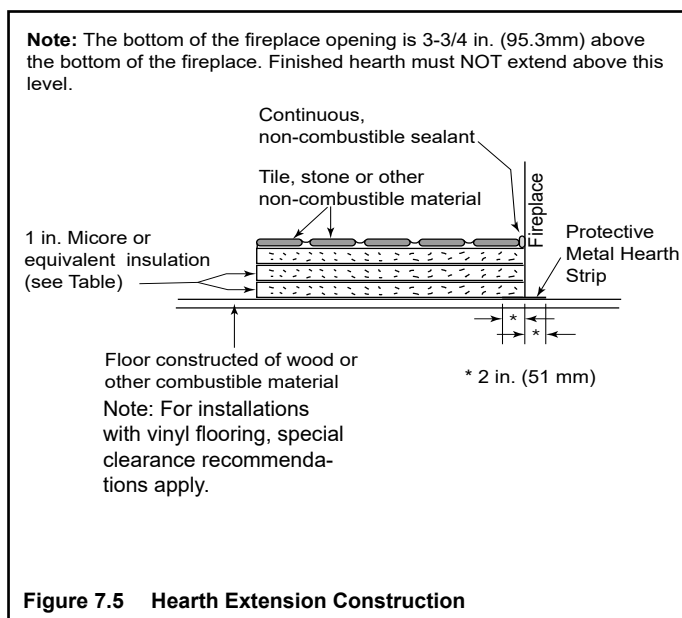
1. Fireplace Installed Flush on the Floor and Hearth Extension Raised to Bottom of Firebox Opening

Non-combustible flooring a minimum of 20 in. (508 mm) in front of and 12 in. (305 mm) to each side of the fireplace opening is required.

The hearth framing must be constructed of non-combustible materials (such as metal framing or equivalent material) and placed on HX3(s) or HX4(s) or equivalent material. Refer to Figure 7.5.

When creating the platform, allow for the thickness of the non-combustible finishing materials.

Seal gaps between the hearth extension and the front of the fireplace with a bead of non-combustible sealant or grout.



Vinyl Flooring

Vinyl Flooring is sensitive to heat. A 48 inch minimum depth hearth extension is recommended when using vinyl flooring up to the wall. See Figure 7.5.

Notice: Clearances that do not meet the minimum guidelines could result in damage or buckling to the vinyl flooring and is done at the installer's or homeowner's risk.

Hearth and Home Technologies does not recommend adhesive based vinyl flooring due to thermal expansion. Floating-style flooring can be used, but will reach temperatures up to 110°F in a room with ambient temperatures of 70°F. Consult flooring specifications to ensure compatibility.

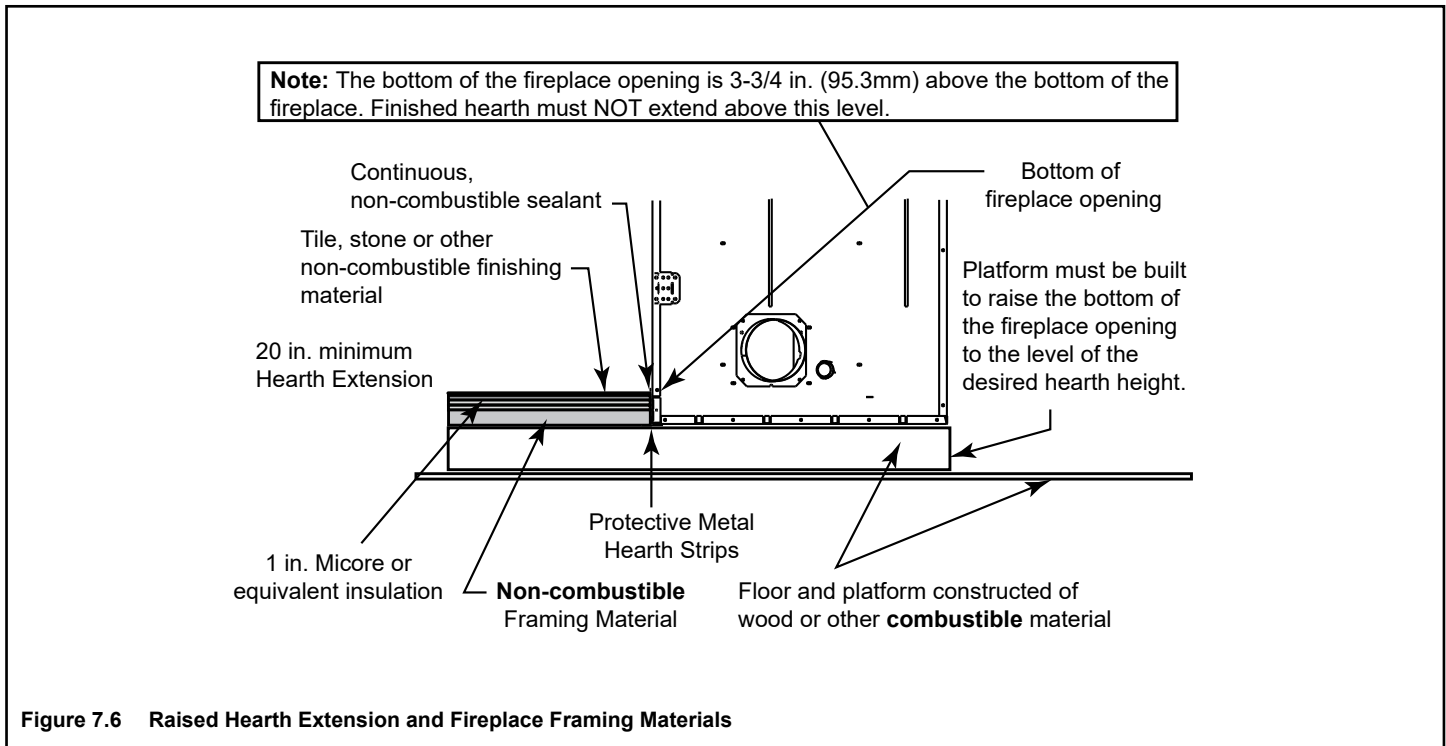
2. Raised Hearth Extension and Raised Fire- place

Non-combustible flooring a minimum of 20 in. (508 mm) in front of and 12 in. (305 mm) to each side of the fire-
place opening is required.

The hearth framing must be constructed of non-com-
bustible materials (such as metal framing or equivalent
material) and placed on HX3(s) or HX4(s) or equivalent
material. Refer to Figure 7.6.

**When creating the platform, allow for the thickness
of the non-combustible finishing materials.**

Seal gaps between the hearth extension and the front
of the fireplace with a bead of non-combustible sealant
or grout.



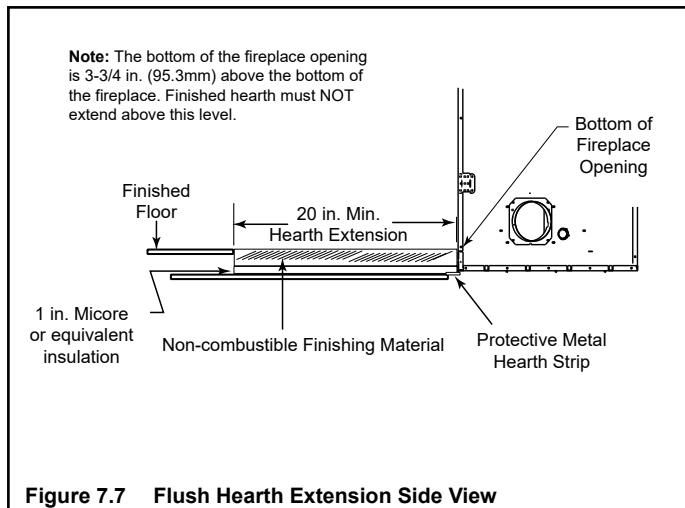
3. Fireplace Opening and Hearth Extension Flush with the Floor

Non-combustible flooring a minimum of 20 in. (508 mm) in front of and 12 in. (305 mm) to each side of the fireplace opening is required.

The hearth framing must be constructed of non-combustible materials (such as metal framing or equivalent material) and placed on HX3(s) or HX4(s) or equivalent material. Refer to Figure 7.7.

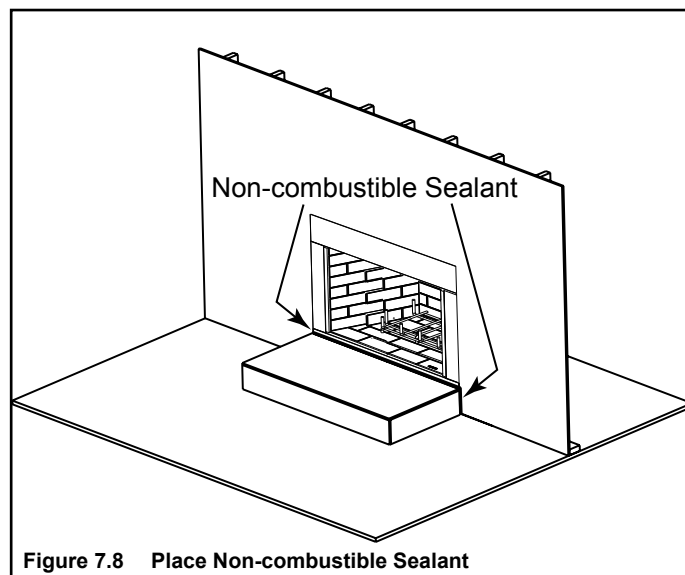
When creating the platform, allow for the thickness of the non-combustible finishing materials.

Seal gaps between the hearth extension and the front of the fireplace with a bead of non-combustible sealant or grout.



C. Non-Combustible Sealant Material

After completing the framing and applying the facing materials over the framing, a bead of non-combustible sealant must be used to close off any gaps at the top and sides between the fireplace and hearth.



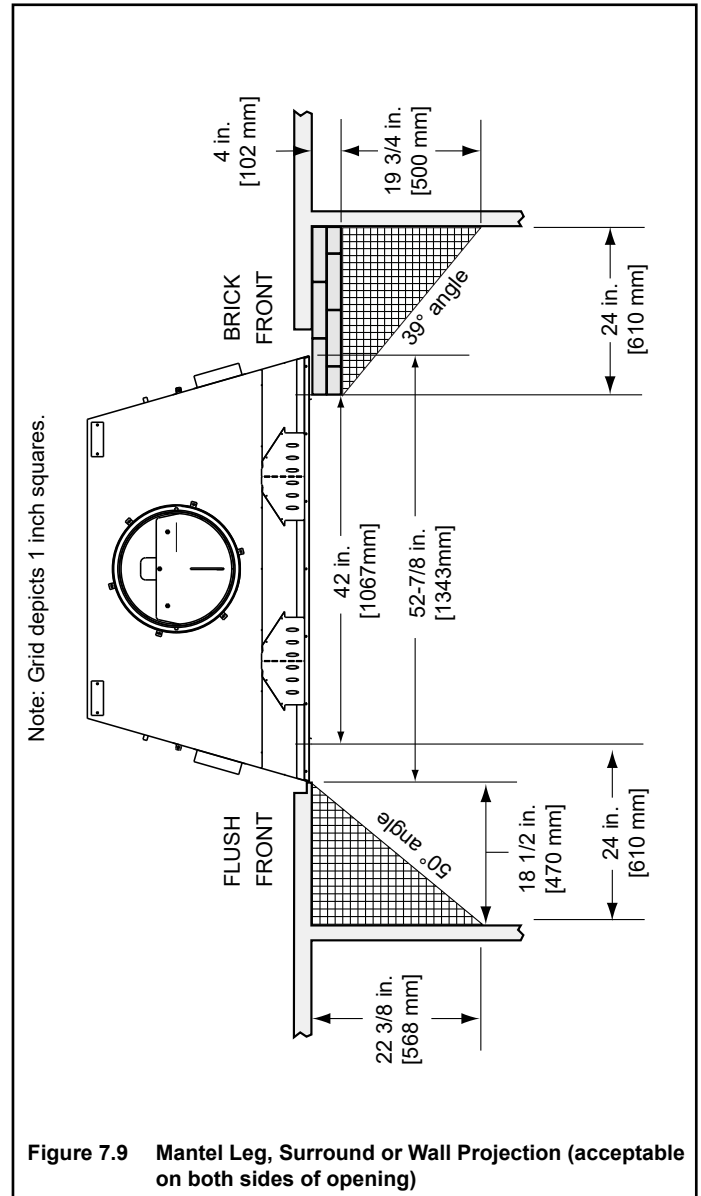
WARNING! Risk of Fire!

Hearth & Home Technologies is not responsible for discoloration, cracking or other material failures of finishing materials due to heat exposure or smoke.

- Choose finishing materials carefully.

D. Sidewalls/Surrounds

- Locate adjacent combustible sidewalls a minimum of 24 in. (610 mm) from fireplace opening.
- Mantle leg, surround, stub wall, whether combustible or non-combustible, may be constructed as shown in Figure 7.9.



E. Mantel and Wall Projections

The combustible mantel may have a maximum depth of 12 in. (305 mm) that is positioned 22 in. (559 mm) above the opening. Combustible trim pieces that project no more than 1-1/2 in. (38 mm) from the face of the fireplace can be placed no closer than 6 in. (152 mm) from the top of the opening.

- the metal surfaces of the fireplace,
- where the non-combustible board is placed over the metal surfaces,
- the space between the metal face of the fireplace and framing members

WARNING! Risk of Fire!

- *You must seal around the finishing material to fireplace.*

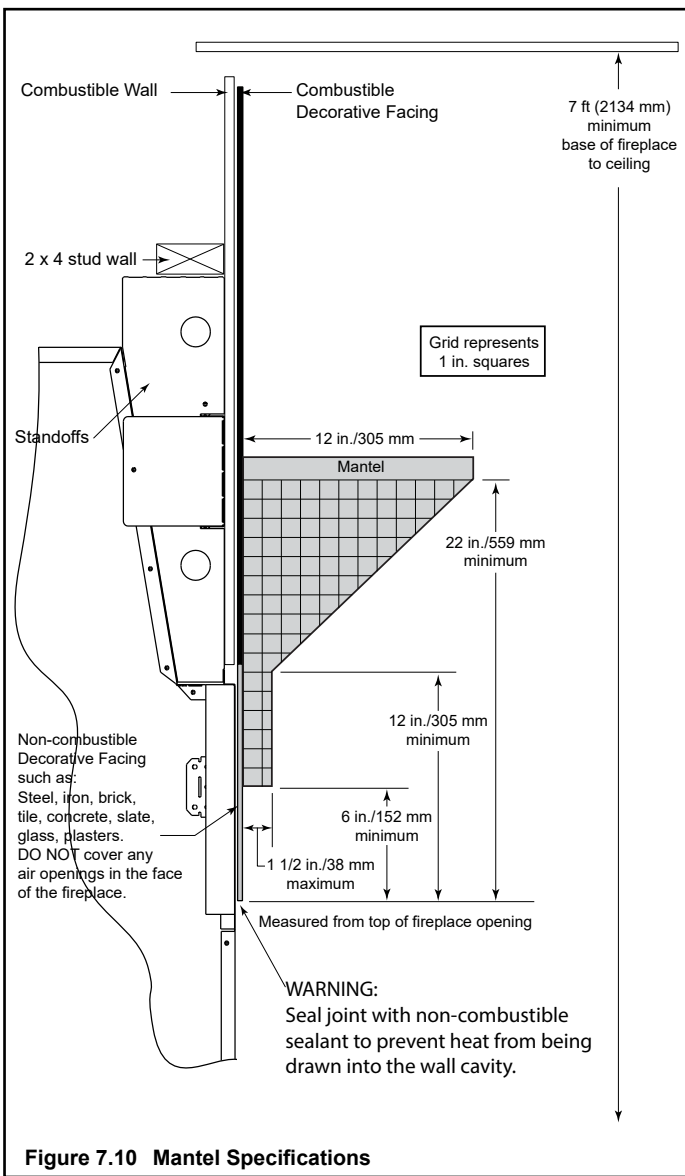


Figure 7.10 Mantel Specifications

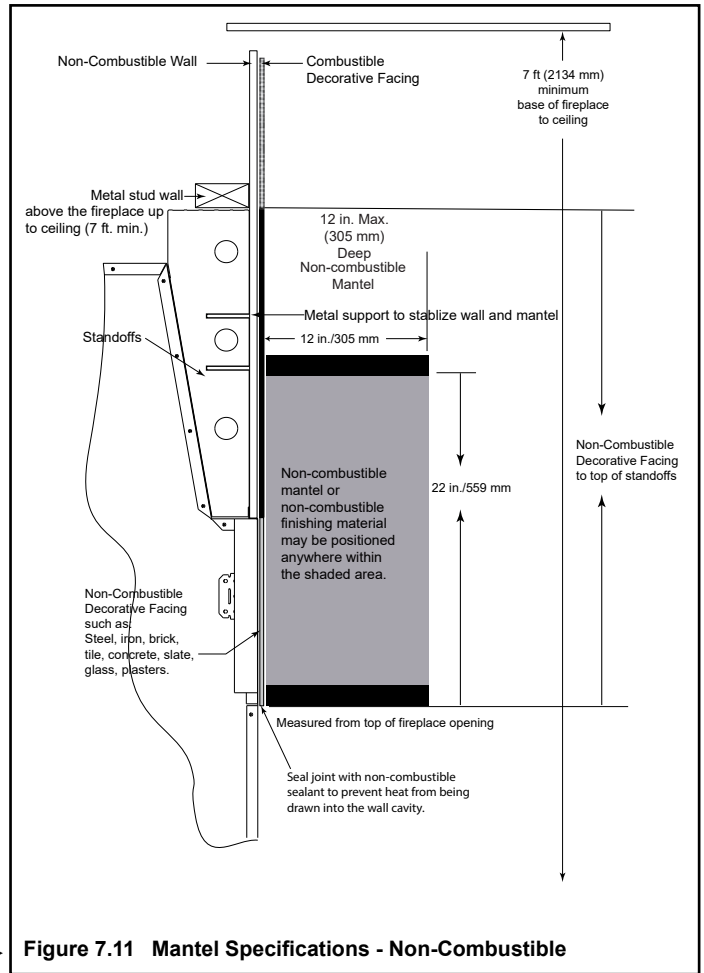


Figure 7.11 Mantel Specifications - Non-Combustible

8 Fireplace Setup

A. Install Hearth Molded Brick Panel

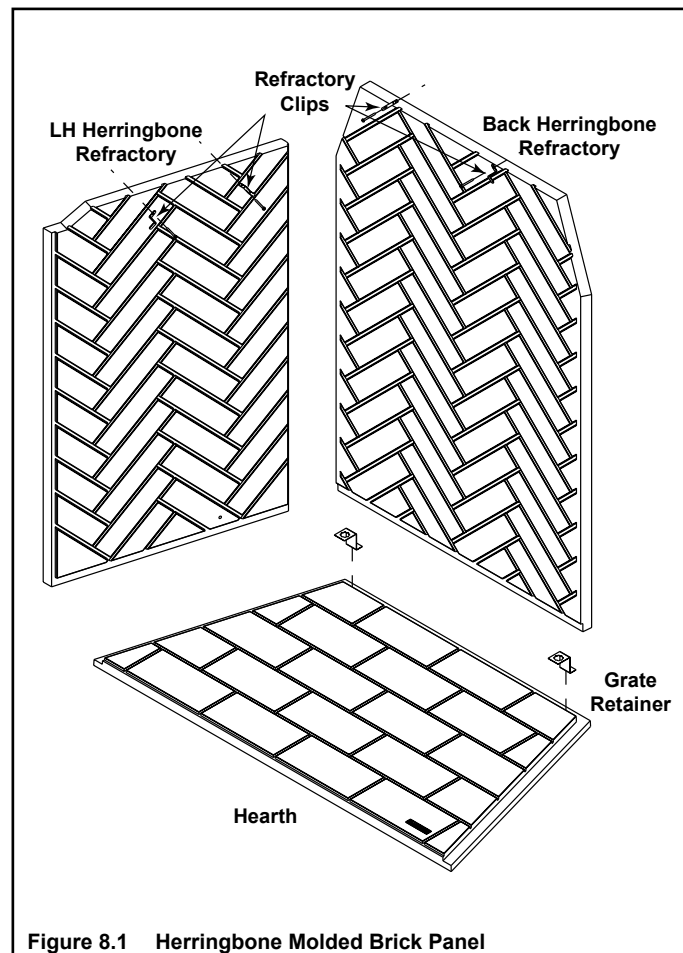
- Place hearth panel into the fireplace.

B. Install Back Molded Brick Panel

- Remove screen rods.
- Remove smoke shield.
- Refer to Figure 8.1.
- Set the grate brackets in place, 26.5 in. (673 mm) center to center.
- Install the back panel. Center from side to side.
- Install two refractory clips in the mortar lines across the top. Tighten these and all previously installed brackets.

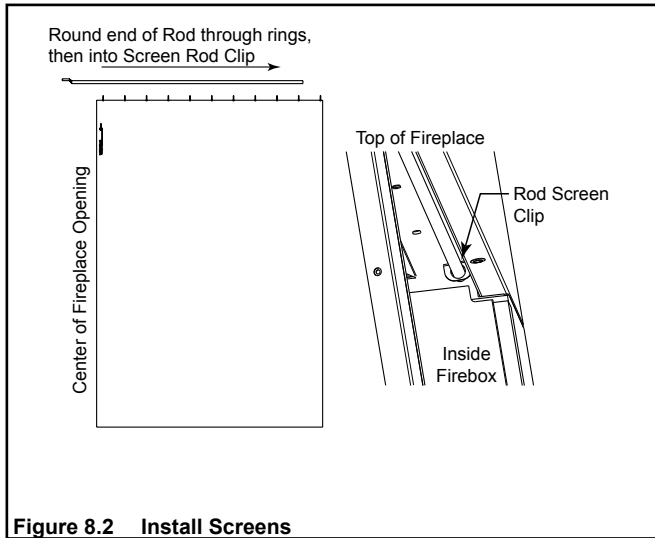
C. Install Side Molded Brick Panel

- If a gas line is to be installed, remove the knockouts in the inner firebox and in the outer shell on the side of your choice. Refer to dimension drawings for location of knockouts and Section 8.I. for gas provisions.
- Install side panel, tapered edge to the front. Align the front edge with the front of the column (or butted to the surround if installed).
- Install two refractory clips in the mortar lines across the top. Tighten these and all previously installed brackets.
- Install second side panel following the steps above.
- Replace smoke shield.



D. Install Screens

- Lay one screen panel flat and slide the round end of the rod through the rings starting at the handle side of the screen. Leave the last ring off the rod.
- Insert the rod through the hole in the bracket. Slip the last ring over the rod on the other side of the bracket.
- Fasten the flat end of the screen rod back in place using the screw removed earlier.
- Repeat for the other screen panel.



E. Install Mortar (Optional)

The brick panels have been designed for installation without the use of mortar being necessary. If the look of mortar is preferred, it is available and can be installed. Follow the directions on the container for mixing.

F. Grate

- Install the grate if a gas log set is not going to be installed.
- Position the rear gate legs into the grate retainers.

I. Gas Log/Lighter Provision

WARNING! Fire and/or Asphyxiation Risk! Use with solid wood fuel or decorative gas appliance only. Gas fire generates fumes.

- Damper must be locked fully open when gas logs are installed

A certified gas log lighter or decorative gas log set can be installed in this fireplace.

Vented Gas Logs

- Maximum input is 100,000 BTU/hr.
- Decorative gas appliance must be certified to **ANSI Z21.60/CSA 2.26** "Standard for Decorative Gas Appliances for Installation in Vented Fireplaces".
- Must be installed in accordance with the **National Fuel Gas Code, ANSI Z223.1** and **Natural Gas Installation Code, CAN/CGA-B149.1-M95** or the **Propane Installation Code, CAN/CGA-B149.2-M95**.
- A gas log set must incorporate a gas shutoff.
- Gas Log set requires the damper to be locked fully open.
- A listed automatic damper system with safety interlock may be used in this fireplace with only compatible, listed gas log sets. See damper system manufacturer's instructions.
- Knockouts are provided on both sides of the fireplace and in refractories a masonry hole saw of at least 1 in. (26 mm) must be used to make the hole at the gas line dimple location for 1/2 in. (13 mm) iron pipe.
- Seal refractory around pipe with fireplace mortar or a non-combustible sealant.

Unvented Gas Logs

CAUTION! If an unvented gas appliance is installed in the fireplace, the gas appliance must only be operated with the fireplace glass door fully open (if included). Only unvented gas log sets which have been found to comply with the standard for unvented room heaters, ANSI Z211.11.2, are to be installed in this fireplace. If an unvented gas appliance is installed it must incorporate an automatic shutoff device, and must be installed in accordance with the National Fuel Gas Code Z223.1, Latest edition.

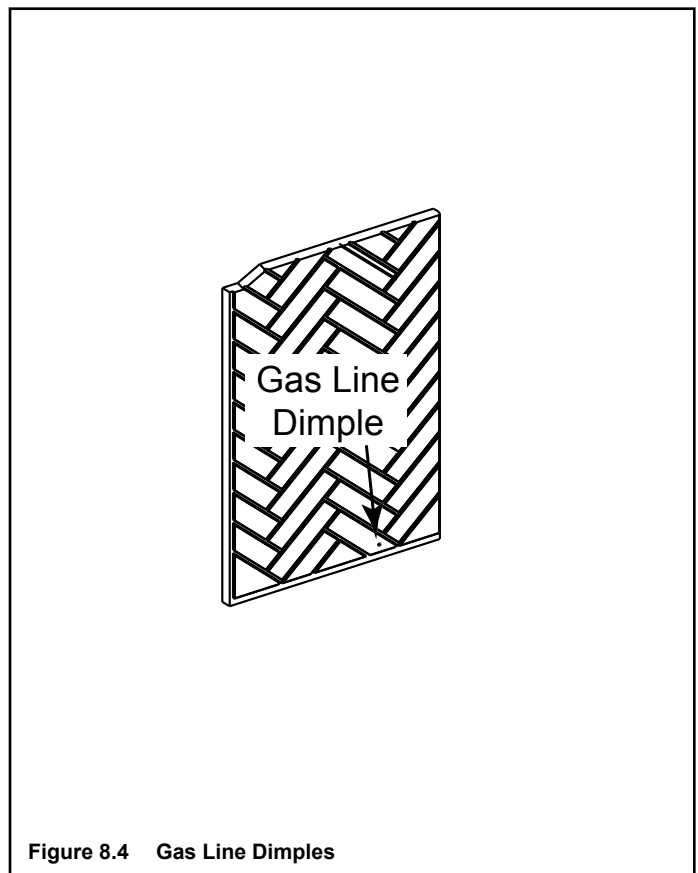
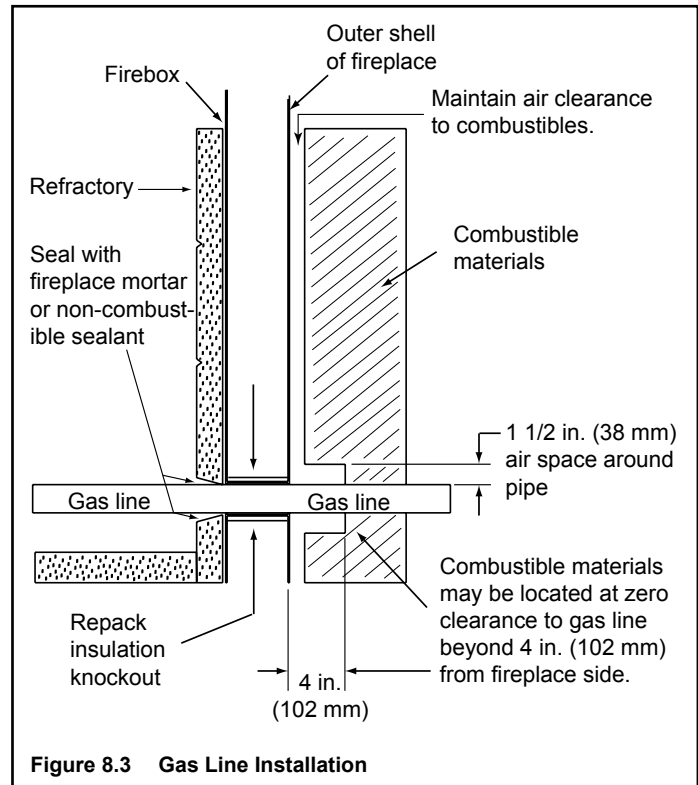
WARNING! Do Not operate an unvented gas log set in this fireplace with the chimney removed.

J. Wood Burning Inserts

WARNING! Risk of Fire! Improper installation of wood inserts may cause fireplace or chimney system to overheat.

If a wood burning insert is being installed in this fireplace, Hearth & Home Technologies recommends full relining of the chimney.

- Cooling air openings at the top of the chimney must not be obstructed in any manner.
- Hearth & Home Technologies recommends securing the reline at the top of the flue and using the cap certified for use with this fireplace system.

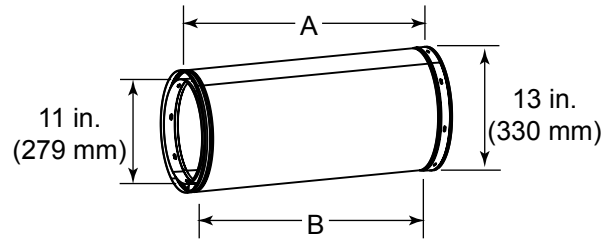


9 Reference Materials

A. Chimney Components

The following pictures show only those chimney components which may be safely used with this fireplace.

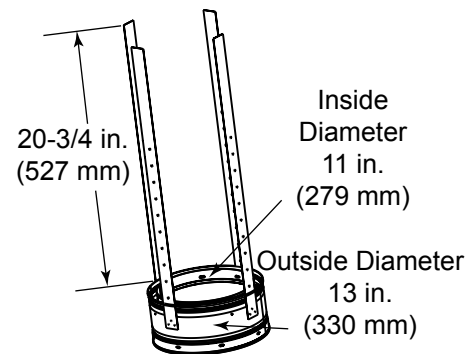
| Catalog # | Description |
|-----------|---------------------------------------------------------------|
| CAK8A | Chimney Air Kit |
| ID4/ID6 | Insulated Duct/Outside Air |
| UD4/UD6 | Uninsulated Duct/Outside Air |
| SL1106 | Chimney Section - 6 in. (152 mm) long |
| SL1112 | Chimney Section - 12 in. (305 mm) long |
| SL1118 | Chimney Section - 18 in. (457 mm) long |
| SL1136 | Chimney Section - 36 in. (914 mm) long |
| SL1148 | Chimney Section - 48 in. (1219 mm) long |
| SL11 | Chimney Stabilizer |
| SL1130 | Chimney Offset/Return - 30 deg |
| FS538 | Ceiling Firestop - Straight |
| FS540 | Ceiling Firestop - 30 deg |
| AS10 | Straight Attic Insulation Shield, 24 in. (610 mm) |
| JB577 | Chimney Joint Band |
| CB576 | Chimney Bracket |
| RF570 | Roof Flashing - Flat to 6/12 Pitch |
| RF571 | Roof Flashing - 6/12 to 12/12 Pitch |
| TR11 | Round Termination Cap |
| TR11T-B | Round Telescoping Termination Cap |
| TCT1175 | Terra Cotta Termination Cap |
| ST1175 | Square Termination Cap |
| TR-TVK | TR Top Vent Kit |
| DTO134 | Short Octagon Decorative Cap |
| DTO146 | Tall Octagon Decorative Cap |
| DTS134 | Short Square Decorative Cap |
| DTS146 | Tall Square Decorative Cap |
| LDS33 | Decorative Shroud - 3 ft x 3 ft (.91 m x .91 m) |
| LDS46 | Decorative Shroud - 4 ft x 6 ft (1.22 m x 1.83 m) |
| LDS-BV | Decorative Shroud - 26 in. x 26 in. (660 mm x 660 mm) |
| | Field Constructed Shrouds (See "Woodburning Termination Cap") |
| CT-11A-B | Adapter-May be used with the following caps |
| | CT-Series |
| | DT-Series |



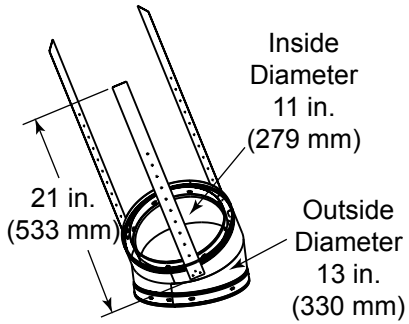
Chimney Sections

| Catalog # | A | | B | |
|-----------|----|------|--------|------|
| | in | mm | in | mm |
| SL1106 | 6 | 152 | 4-3/4 | 121 |
| SL1112 | 12 | 305 | 10-3/4 | 273 |
| SL1118 | 18 | 457 | 16-3/4 | 425 |
| SL1136 | 36 | 914 | 34-3/4 | 883 |
| SL1148 | 48 | 1219 | 46-3/4 | 1187 |

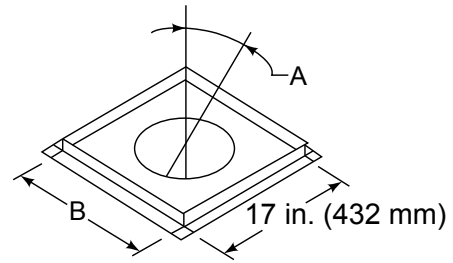
A = Actual Length
B = Effective Length (length of chimney part after it has been snapped to another)



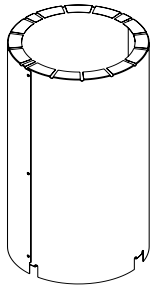
SL11 Chimney Stabilizer



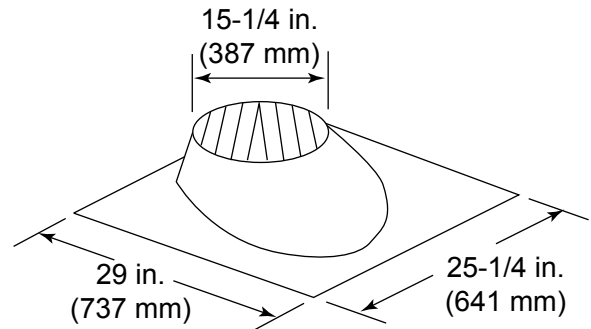
SL1130 Offset/Return



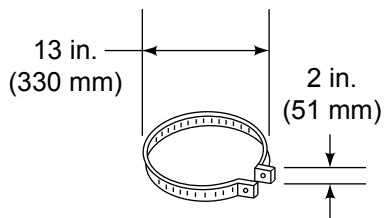
| Catalog # | A | B | |
|-----------|---------|--------|--------|
| FS538 | 0-deg. | 17 in. | 432 mm |
| FS540 | 30-deg. | 26 in. | 660 mm |



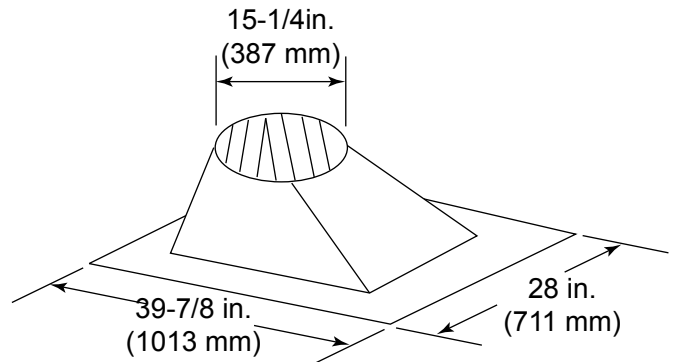
Assembled
Diameter: 17 in./432 mm
Height: 24 in./610 mm
AS10 Straight Attic Insulation Shield



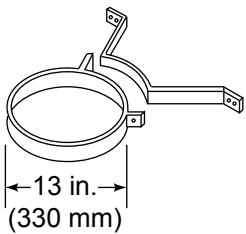
RF570 Roof Flashing



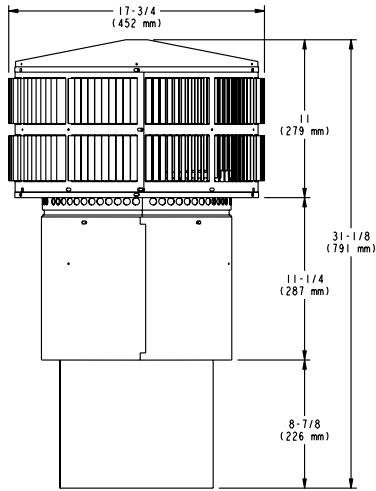
JB577 Chimney Joint Band



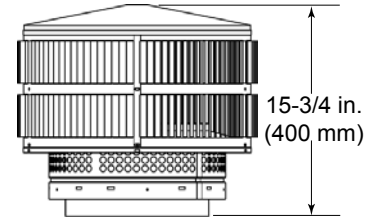
RF571 Roof Flashing



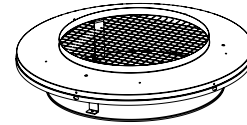
CB576 Chimney Joint Band



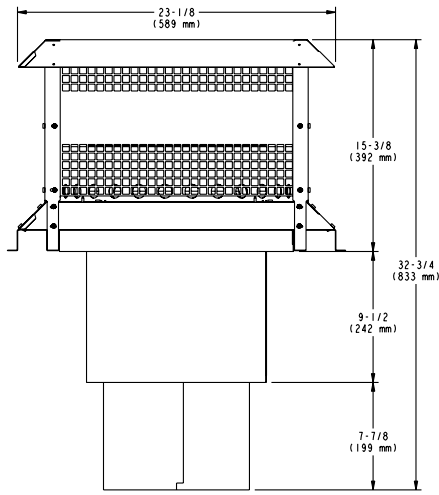
TR11T-B - Round Telescoping Termination Cap



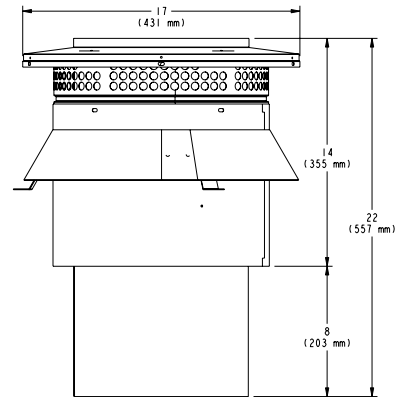
TR11/TR444 - Round Termination Cap



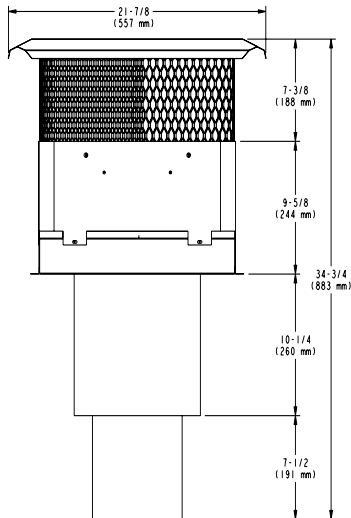
TR-TVK



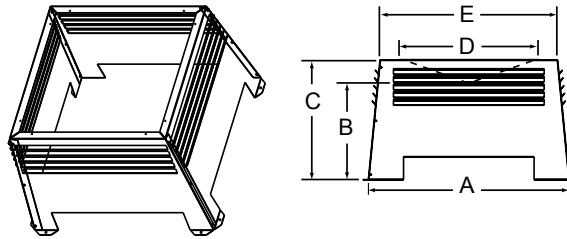
ST1175/ST475 - Square Termination Cap



CT-11A-B

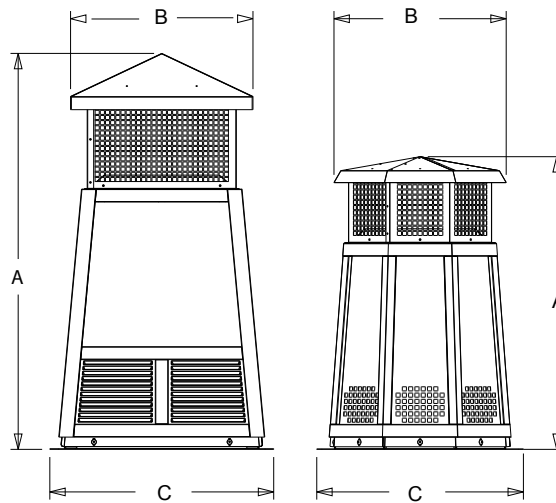


TCT1175 - Terra Cotta Cap



LDS-BV Decorative Shroud

| Catalog # | | A | B | C | E | E |
|-----------|-----|-----|------|------|-----|-----|
| LDS-BV | in. | 26 | 12.5 | 15.5 | 22 | 23 |
| | mm | 660 | 318 | 394 | 533 | 584 |



DTS134/DTS146

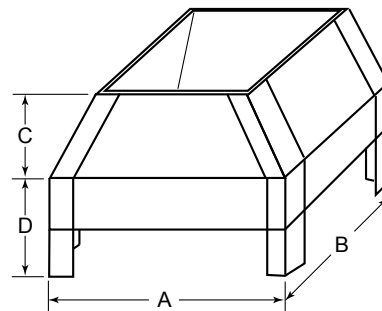
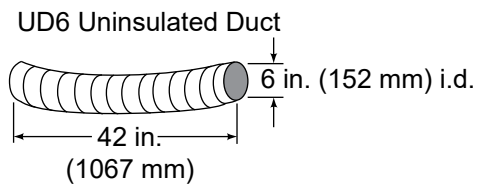
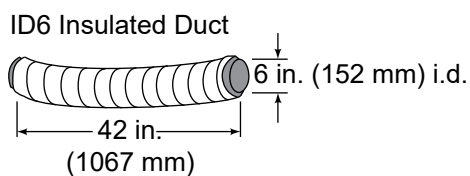
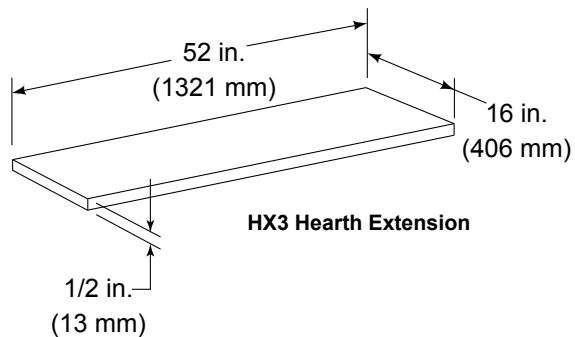
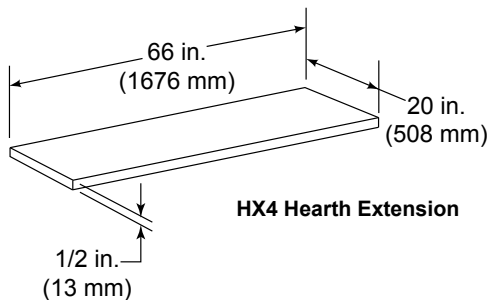
DTO134/DTO146

Decorative Caps

| DTO134 | | A | B | C |
|--------|----|------|------|-----|
| | in | 34 | 20 | 24 |
| | mm | 864 | 508 | 610 |
| DTO146 | | A | B | C |
| | in | 46 | 22.7 | 26 |
| | mm | 1168 | 576 | 660 |

| DTS134 | | A | B | C |
|--------|----|------|-------|-----|
| | in | 34 | 21.18 | 24 |
| | mm | 864 | 538 | 610 |
| DTS146 | | A | B | C |
| | in | 46 | 21.18 | 26 |
| | mm | 1168 | 538 | 660 |

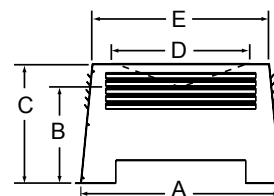
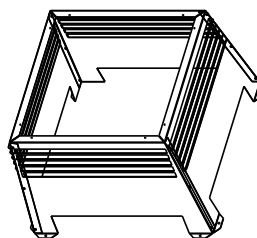
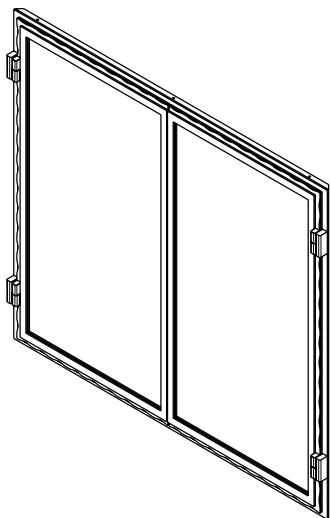
B. Optional Components



LDS33/LDS46 Decorative Shroud

| Catalog # | A | | B | | C | | D | |
|-----------|------------|-----------|------------|-----------|------------|-----------|------------|-----------|
| | <i>in.</i> | <i>mm</i> | <i>in.</i> | <i>mm</i> | <i>in.</i> | <i>mm</i> | <i>in.</i> | <i>mm</i> |
| LDS33 | 36 | 914 | 36 | 914 | 8.5 | 216 | 11 | 279 |
| LDS46 | 48 | 1219 | 72 | 1829 | 8.5 | 216 | 11 | 279 |

LDSCPM - Corner Post Kit (for custom sizes)



LDS-BV Decorative Shroud

| Catalog # | | A | B | C | E | E |
|-----------|------------|-----|------|------|-----|-----|
| LDS-BV | <i>in.</i> | 26 | 12.5 | 15.5 | 22 | 23 |
| | <i>mm</i> | 660 | 318 | 394 | 533 | 584 |

This page intentionally left blank.

This page intentionally left blank.

Majestic, a brand of Hearth & Home Technologies
7571 215th Street West, Lakeville, MN 55044
www.majesticproducts.com

