

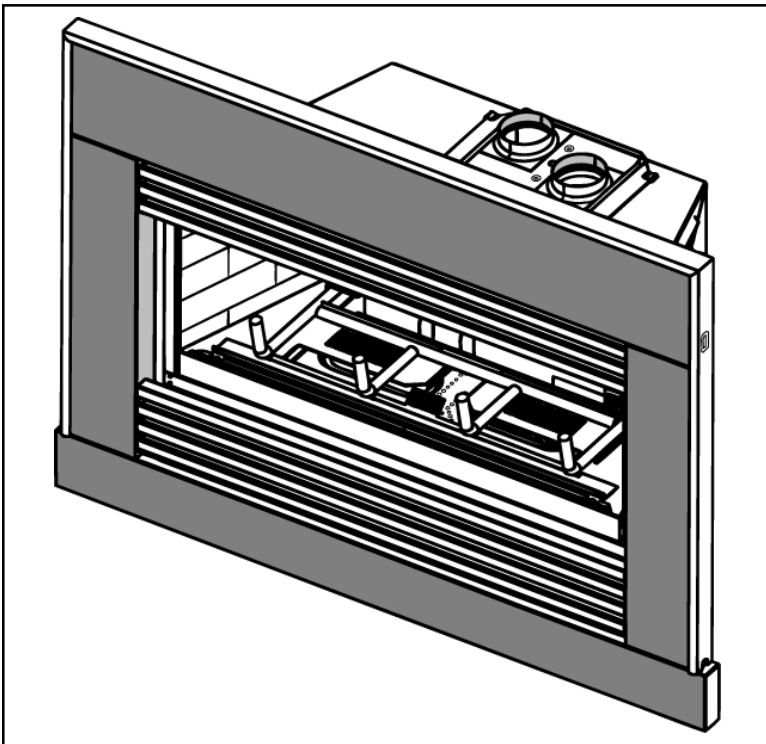
heatilator®

The first name in fireplaces

Hearth Technologies-Mt. Pleasant
1915 W. Saunders Street
Mt. Pleasant, Iowa 52641
Division, HON INDUSTRIES
www.heatilator.com



NOVi30 AND NOVi35 DIRECT VENT GAS-FIRED FIREPLACE INSERT ROOM HEATER Installation & Operating Instructions



WARNING: If the information in this manual is not followed exactly, a fire or explosion may result causing property damage, personal injury or loss of life.

- Do not store or use gasoline or other flammable vapors and liquids in the vicinity of this or any other appliance.
- What to do if you smell gas
 - Do not try to light any appliance.
 - Do not touch any electrical switch; do not use any phone in your building.
 - Immediately call your gas supplier from a neighbor's phone. Follow the gas supplier's instructions.
 - If you cannot reach your gas supplier, call the fire department.
- Installation and service must be performed by a qualified installer, service agency or the gas supplier.

This manual must be used for installation of the **NOVi30 and NOVi35 Direct Vent Gas Fired Fireplace Insert Room Heater** and retained by the homeowner for operating and maintenance instructions.

WARNING!

Improper installation, adjustment, alteration, service or maintenance can cause injury or property damage. Refer to this manual. For assistance or additional information, consult a qualified installer, service agency or the gas supplier.

TABLE OF CONTENTS

A. Listings and Code Approvals	2	K. Lighting Instructions	13
B. Description of the Appliance System	2	L. Seasonal Checklist	15
C. Appliance System Components	3	M. Field Fuel Conversion	15
D. Dimensional Requirements	4	N. Start-up Issues	16
E. Clearances to Appliance	5	O. Maintenance Instructions	17
F. Venting	5	P. Cleaning the Glass	18
G. Utilities	8	Q. Optional Components	19
H. Appliance Entry	10	R. Replacement Parts	19
I. Surround Installation	10	Index	23
J. Appliance Preparation	12	Warranty	24

A. LISTINGS AND CODE APPROVALS

U.S. CERTIFICATION

The NOVi30 and NOVi35 have been tested in accordance with ANSI Z21.88-1998 and has been listed by Underwriters Laboratory (UL) for installation and operation as described in these installation and operating instructions. All components are A.G.A. or UL safety certified.

CANADA CERTIFICATION

The NOVi30 and NOVi35 have been tested in accordance with CSA 2.33-M98 and have been listed by UL for installation and operation as described in these installation and operating instructions. All components are C.G.A. or C.S.A safety certified.

LOCAL CODES

Check with your local building code agency prior to installing this appliance to ensure compliance with all local codes, including the need for permits and follow-up

inspections. This installation must conform with local codes or, in the absence of local codes, with the National Fuel Gas Code, ANSI Z23.1-latest edition, in the U.S.A. and the CANI-B149-latest edition, in Canada.

EFFICIENCY

The efficiency rating of the appliance is a product thermal efficiency rating determined under continuous operating conditions and was determined independently of any installed system.

HEATILATOR® is a registered trademark of Hearth Technologies Inc., division HON INDUSTRIES.

If any assistance is required during installation please contact your local dealer or contact the Heatilator Technical Services Department, Hearth Technologies Inc., 1915 W. Saunders Street, Mt. Pleasant, Iowa, 1-800-843-2848.

B. DESCRIPTION OF THE APPLIANCE SYSTEM

The NOVi30 and NOVi35 are direct vent gas-fired fireplace insert room heaters. Combustion air is supplied from outside, not from inside the house as with other types of appliance.

The NOVi30 and NOVi35 systems consist of the following:

1. Appliance
2. Venting System (must be purchased separately)
3. Termination (must be purchased separately)
4. Blower
5. Surround (must be purchased separately)

Optional components include:

1. Remote Control
2. Surround Bottom

Note: Illustrations throughout these instructions reflect typical installations and are for design purposes only. Actual installation may vary slightly due to individual design preferences. However, minimum and maximum clearances must be maintained at all times.

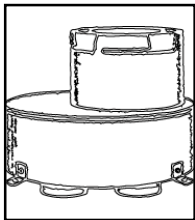
The illustrations and diagrams used throughout these installation instructions are not drawn to scale.

Note: Operation of a direct vent appliance may be sporadic in high wind situations.

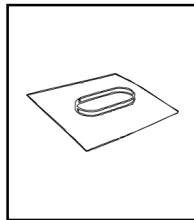
C. APPLIANCE SYSTEM COMPONENTS

Catalog #	Description
NOVi30	Direct Vent Gas Fired Insert - Natural gas
NOVi30L	Direct Vent Gas Fired Insert - Propane
NOVi35	Direct Vent Gas Fired Insert - Natural gas
NOVi35L	Direct Vent Gas Fired Insert - Propane
RC-SMART-HT-L	Remote Control (Standing Pilot)
RC-BATT-HTL	Battery-operated Remote Control (Standing Pilot)
SMART-STAT-HTL	Remote Control with Thermostat Control
SMART-BATT-HTL	Battery-operated Remote Control with Thermostat Control
LINK-DV-30	Flex Kit includes Adapter, Flashing, Termination Cap, and (2) 3" Flex Liners - 30'
LINK-DV4-30	Flex Kit includes Adapter, Flashing, Termination Cap, (1) 3" Flex Liner - 4' and (1) 3" Flex Liner - 30'
31692	3" Direct Vent Chimney Liner Termination Kit (Dura-Vent product #923GK)
31691	3" Chimney Liner Flex 30' (Dura-Vent product #710)
980	Vertical Termination Cap with Wind Halo (Dura-Vent product #980)
31694	High Wind Termination Cap (Dura-Vent product #991)
NS30M	Medium Surround (28-1/2" x 40-1/2") with trim
NS30L	Large Surround (33" x 46") with trim
NS35M	Medium Surround (28-1/2" x 44") with trim
NS35L	Large Surround (33" x 48") with trim
NSB35M	Medium Surround Bottom (4" x 45")
NSB30M	Medium Surround Bottom (4" x 41-1/2")
NSB30L	Large Surround Bottom (4" x 47")
NSB35L	Large Surround Bottom (4" x 49")
SCKVN	Natural Gas Conversion Kit
SCKVP	Propane Conversion Kit

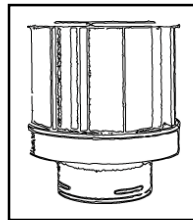
LINK - DV-30



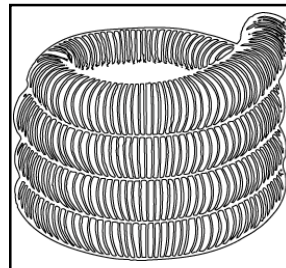
#31692



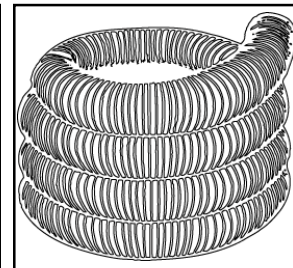
#31693



#31694

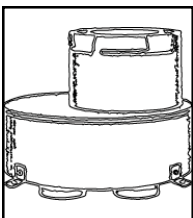


30' - #31691

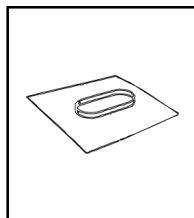


30' - #31691

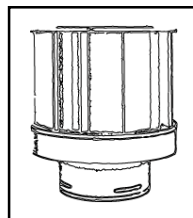
LINK - DV4-30



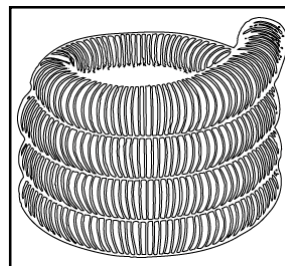
#31692



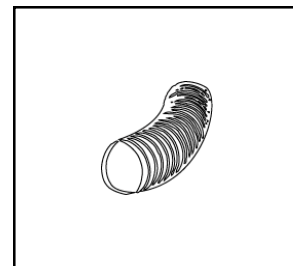
#31693



#31694



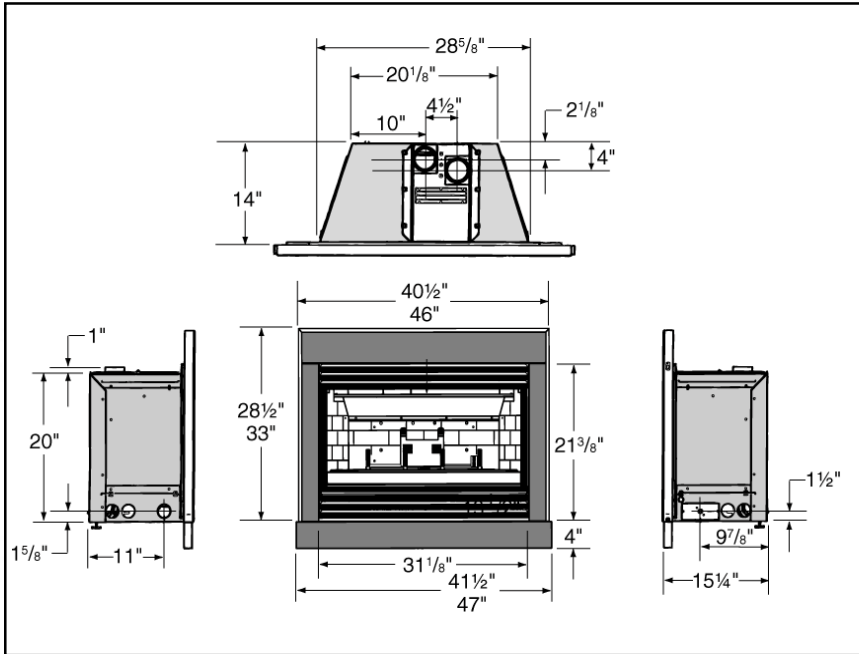
30' - #31691



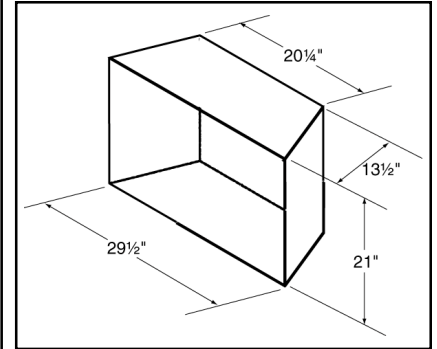
4' - #31695

The first name in fireplaces

D. DIMENSIONAL REQUIREMENTS

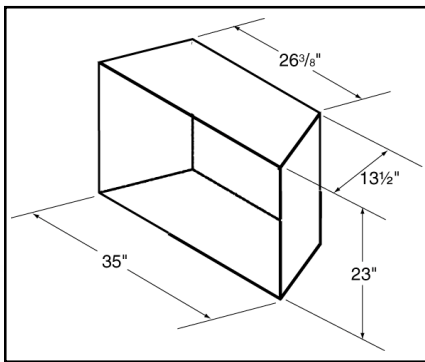


NOVI30 Dimensions

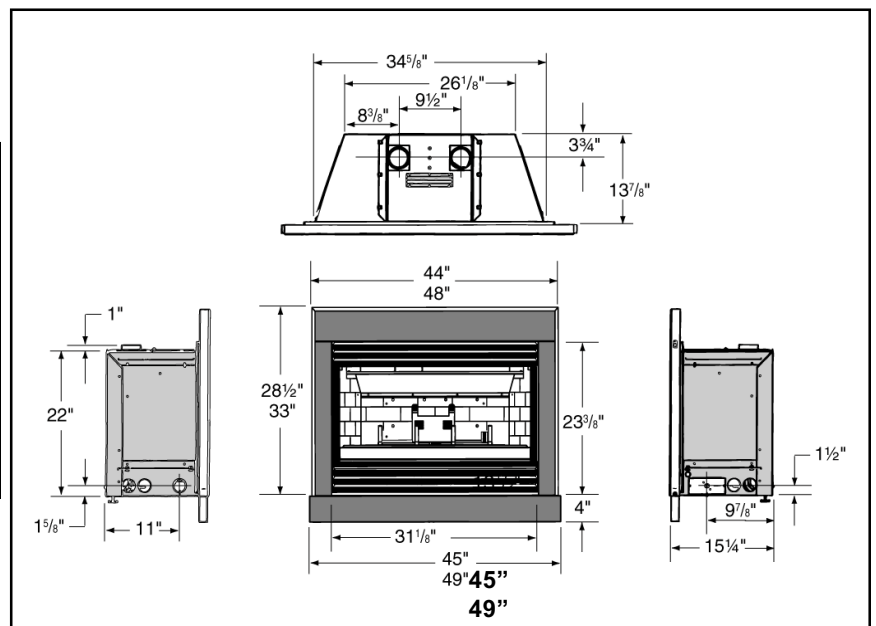


NOVI30 Minimum Fireplace Opening

WARNING!
Due to high temperatures, the appliance should be located out of traffic and away from furniture and draperies.



NOVI35 Minimum Fireplace Opening



NOVI35 Dimensions

E. CLEARANCES TO APPLIANCE

Diagram A shows the minimum vertical and corresponding maximum horizontal dimensions of mantels or other combustible projections.

When finishing the appliance, **never obstruct or modify the air inlet/outlet openings in any manner.**

While a hearth extension may be desirable for aesthetic reasons, it is not required for gas wall heaters per ANSI or CAN/CGA testing standards.

Provide adequate accessibility clearances for servicing and proper operation.

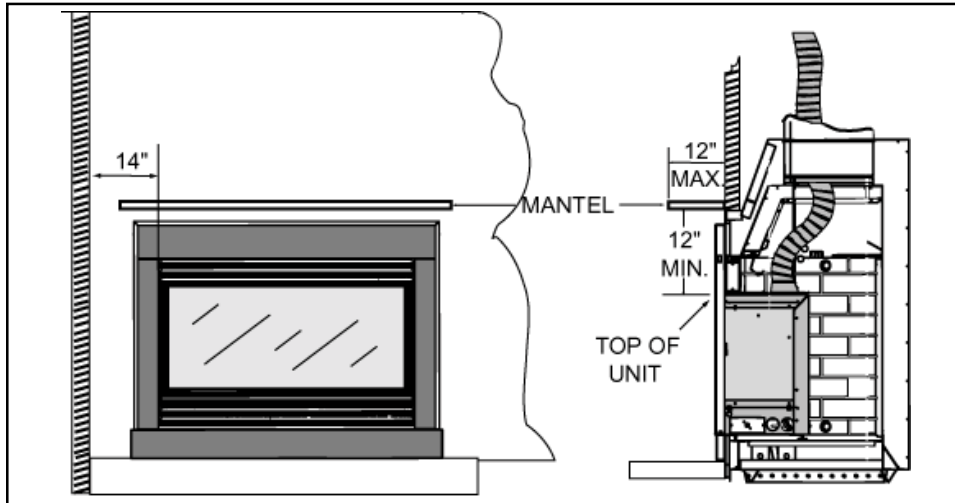


Diagram A - Clearances

WARNING!
To prevent contact with sagging or loose insulation, the appliance must **not** be installed against vapor barriers or exposed insulation.

F. VENTING

WARNING!

Before starting, do the following:

1. Wear gloves and safety glasses for protection.
2. Keep hand tools in good condition. Sharpen cutting edges and make sure tool handles are secure.
3. Always maintain the minimum air space required to the enclosure to prevent fire.
4. Read the following installation instructions.

Tools and building supplies normally required for installation:

Tools:

- Pliers
- Phillips screwdriver
- Tape measure
- Level
- Electric Drill and Bits
- Square

High Temperature Sealant Material:

Sealants that will withstand high temperatures (at least 350 degrees Fahrenheit): General Electric RTV103 (Black) or equivalent; Rutland, Inc. Fireplace Mortar #63 or equivalent; Dow Corning 732 or equivalent.

1. VENT SYSTEM APPROVALS

Approved vent system terminations are labeled for identification. Two separate 3" diameter listed flexible aluminum or stainless steel gas vent is used for both exhaust and for incoming combustion air and must be run up through the existing fireplace chimney and terminated vertically. Horizontal terminations **MUST NOT** be done. Follow the vent manufacturer's installation instructions in conjunction with this manual.

Note: Fireplace chimney systems must be cleaned thoroughly and inspected before installation of the appliance. If any portion of the chimney system shows signs of structural or mechanical weaknesses such as cracks, leaky joints, corroded or warped surfaces, the faulty portion must be repaired or replaced.

The first name in fireplaces

The first name in fireplaces

2. CONNECTING THE VENT PIPE

The damper of the masonry or factory-built chimney may have to be removed to allow installation of the flexible vent pipe.

Before installing the 3" flex vent pipe, mark or label the exhaust pipe at both ends.

Install the 3" flexible vent pipes down through the chimney. Remove the starting collar bracket from the top of the appliance. See Figure 1. Attach and secure the bottom ends of the flex pipes to the starting collar bracket with three sheet metal screws on each collar. Attach the labeled pipe to the exhaust collar on the starter collar bracket.

Place the insert on the hearth and carefully slide it into the fireplace. Be sure the gas line enters the appliance through the gas access opening and that the electrical cord is hanging out of the front of the fireplace.



Figure 1 - Removing the Starter Collar

Position any excess flex vent pipe back up into the chimney. Slide the collar bracket under the lances. See Figure 2. Using the handle on the collar bracket, pull the collar bracket and slide the appliance back. Secure the collar bracket with the two screws removed earlier.

Attach the pipe-to-cap adapter to the termination cap and to the top of the flexible vent pipe and set the cap in place at the top of the chimney. Attach the labeled vent pipe to the labeled collar on the termination. See Figure 3.

Figures 4 and 5 show typical installations of the appliance.

Note: To avoid down drafts and/or cold air problems, it is recommended to seal off the area between the termination cap and the top of the solid-fuel chimney opening into which the vent cap has been installed.

This fireplace has been altered to accommodate an insert and should be inspected by a qualified person prior to reuse as a conventional fireplace.

Note: The above label, located in the instruction package, must be affixed to the existing fireplace prior to installation of the NOVi35 Direct Vent Gas-Fired Heater.

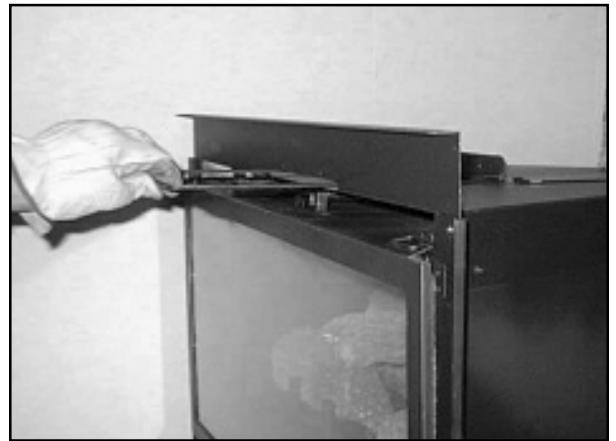


Figure 2
Reinstalling the Starter Collar

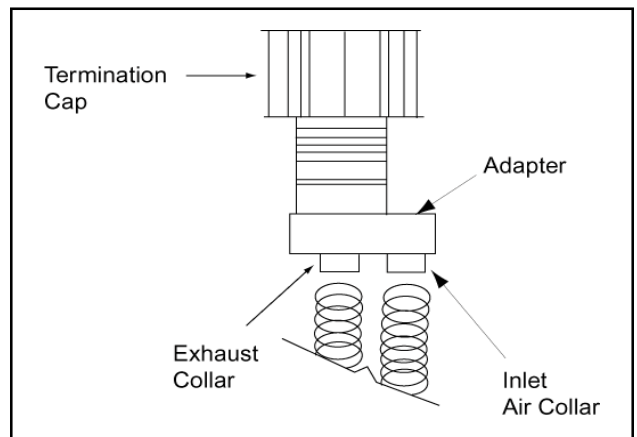


Figure 3 - Pipe-to-Cap Adapter

CAUTION:

For vertically terminated installations, metal tape at each vent joint will help prevent excess air infiltration and improve flame appearance. All joints above the storm collar should be taped and/or sealed with silicone caulk to prevent water penetration.

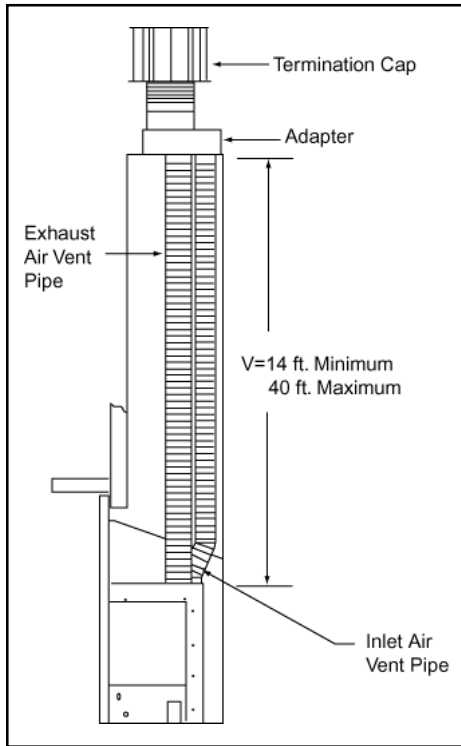


Figure 4 - Typical Installation

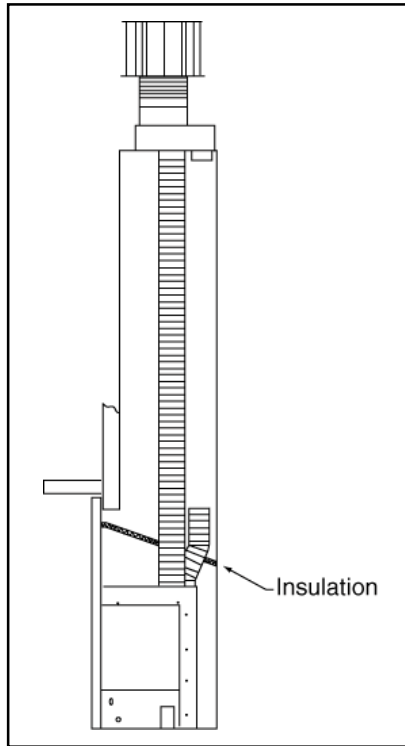


Figure 5 - Air inlet not connected to the adapter at the top

WARNING!
The exhaust pipe must only be connected to the exhaust starting collar of the appliance and the center collar of the termination cap adapter.
The air inlet pipe must only be connected to the air inlet collar on the appliance and either attached to the air inlet collar of the termination cap adapter or terminated in the

Roof Pitch	H (Min.) Ft.
Flat to 6/12	1.0
6/12 to 7/12	1.25
Over 7/12 to 8/12	1.5
Over 8/12 to 9/12	2.0
Over 9/12 to 10/12	2.5
Over 10/12 to 11/12	3.25
Over 11/12 to 12/12	4.0
Over 12/12 to 14/12	5.0
Over 14/12 to 16/12	6.0
Over 16/12 to 18/12	7.0
Over 18/12 to 20/12	7.5
Over 20/12 to 21/12	8.0

Table 1
Minimum Termination Height

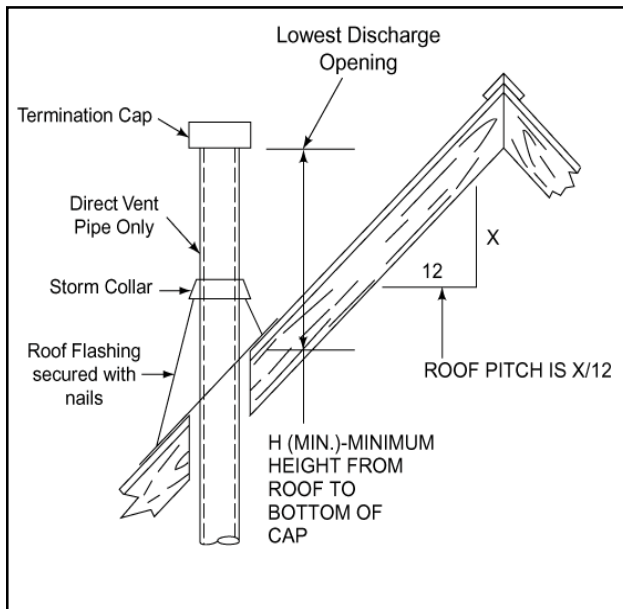


Figure 6 - Termination Height

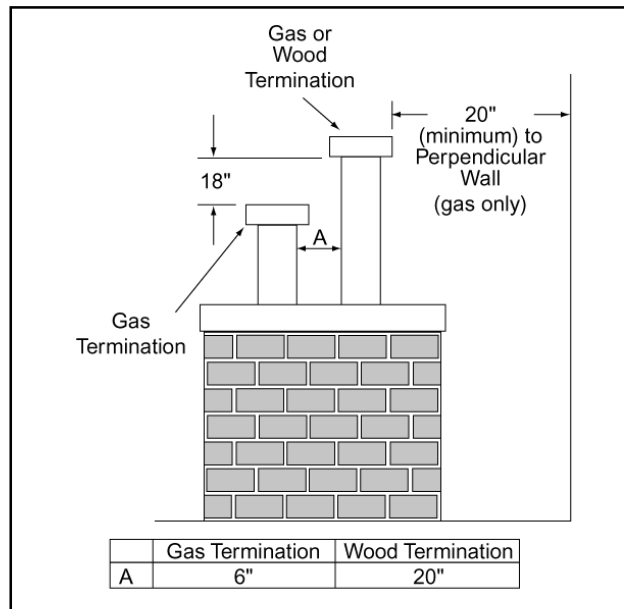


Figure 7 - Multiple Chimney Terminations

The first name in fireplaces

G. UTILITIES

1. HIGH ALTITUDE INSTALLATION

For U.S. installation, appliances are tested and approved for elevations from 0-2000 feet. When installing this appliance at an elevation above 2000 feet, National Fuel Gas Codes require a decrease of the input rating by changing the existing burner orifice to a smaller size. Input should be reduced 4% for each 1000 feet above sea level. Check with the local gas utility for proper orifice size identification. Orifices are available from your Heatilator distributor.

For Canada, appliances are certified for elevations from 0-4500 feet. When installing this appliance at an elevation between 0-4500 feet in Canada, the input rating does not need to be reduced. When installing this appliance at an elevation above 4500 feet in Canada, check with local authorities.

2. GAS LINE CONNECTION

A gas line must be run into the existing woodburning fireplace, for either a factory built fireplace or masonry. It is recommended that a 1/2" inside diameter black pipe be run into the fireplace through the left side. If the existing fireplace already has gas run to it, but through the right side, it is recommended that the gas line be rerouted to the left side. The gas supply line should be installed and connected to the shut-off valve by a qualified service person in accordance with all prevailing building codes.

A 3/8" flare adapter (not supplied) is necessary to connect the flex line (supplied) to the black pipe. Turn gas shut-off valve to the "OFF" position.

Check for leaks using a soap and water solution.

Seal with high temperature silicone the point where the gas line enters the exiting fireplace to prevent cold air infiltration.

3. GAS PRESSURE

On the standing pilot gas control valve, pressure tap is included on the front face of the valve for both inlet and manifold pressures.

Table 2 shows optimum gas pressure information.

Consult your local gas company for assistance in determining the proper orifice for your altitude or refer to ANSI Z223.1-latest edition, Appendix F.

CAUTION:

The gas supply line should be purged of any trapped air prior to the first firing of the appliance.

Note: This appliance and its manual shutoff valve must be disconnected from the gas supply piping system during any pressure testing of that system at test pressures in excess of 1/2 psi (3.5 kPa). The appliance must be isolated from the gas supply piping system by closing its manual shutoff valve during any pressure testing of the gas supply piping system at test pressures equal to or less than 1/2 psi (3.5 kPa).

NOVi30/NOVi35 Gas-Fired Fireplace Insert	
Inlet Gas Supply Pressure (NG)	4.5" (min) - 7.0" (max) w.c.
Optimum Manifold Pressure (NG) Hi/Low	3.5" - 1.7" w.c.
Inlet Gas Supply Pressure (LP)	11.0" (min) - 14.0" (max) w.c.
Optimum Manifold Pressure (LP) Hi/Low	10.0" - 6.3" w.c.
Input Rate: NOVi30 (NG) Hi/Low	30,000/20,000
Input Rate: NOVi35 (NG) Hi/Low	35,000/24,000
Input Rate: NOVi30L (LP) Hi/Low	30,000/24,000
Input Rate: NOVi35L (LP) Hi/Low	33,000/27,000
Burner orifice Size: NOVi30 (NG)	.106"/2.69 mm
Burner Orifice Size NOVi35 (NG)	.115"/2.92 mm
Burner Orifice Size: NOVi30L (LP)	.063"/1.60 mm
Burner Orifice Size: NOVi35L (LP)	.070"/1.77 mm

Table 2 - Gas Information for Standing Pilot Appliances

The first name in fireplaces

4. WIRING

See Figure 7 and 8 below.

Note: This appliance must be electrically wired and grounded in accordance with local codes or, in the absence of local codes, with National Electric Code ANSI/NFPA 70-latest edition. This appliance can be used with a thermostat.

Note: This appliance **DOES** require a 110-120V AC supply for operation of the blower.

WARNING!
DO NOT connect 110-120 V AC to the gas control valve or control wiring system of this appliance.

A 110-120V AC outlet should be located close to the lower right side of the appliance to allow the blower to be plugged in.

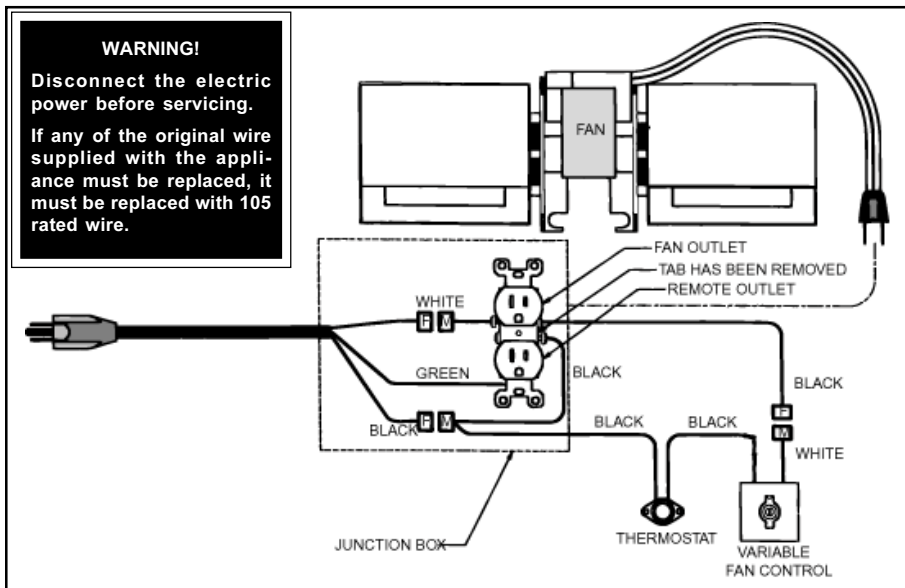


Figure 7 - Fan Wiring Diagram

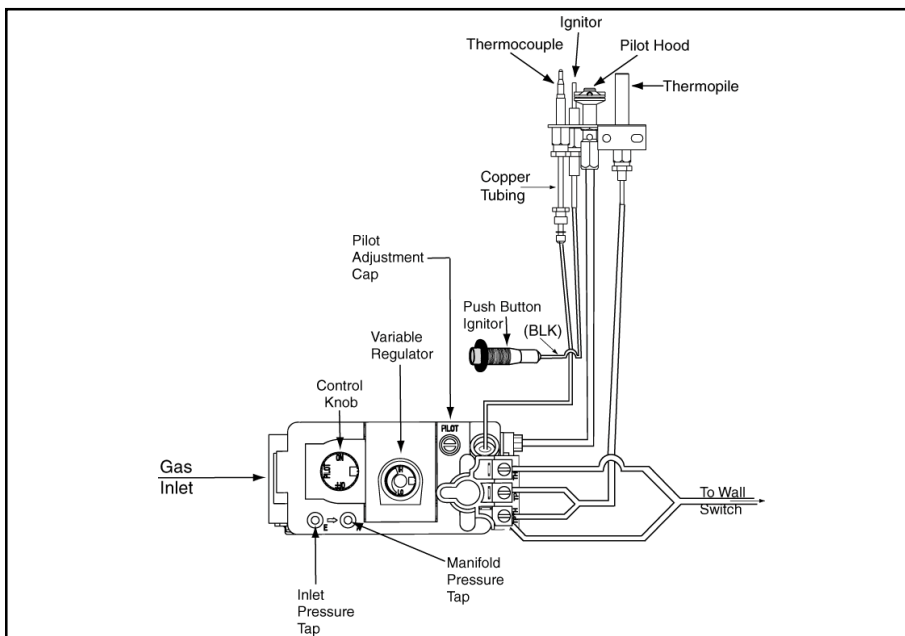


Figure 8 - Standing Pilot Ignition Wiring Diagram

The first name in fireplaces

WARNING!

Failure to position the parts in accordance with these diagrams or failure to use only parts specifically approved with this appliance may result in property damage and/or personal injury.

H. APPLIANCE ENTRY

Remove the glass by pulling out three glass retainer latches. See Figure 9. Lift the glass door assembly up and remove from the bottom retainer. See Figure 10.

Place the glass in a safe place until installation is complete.



Figure 9 - Glass Retainer Latches



Figure 10 - Glass Removal

I. SURROUND INSTALLATION

1. Assemble the surround top to the surround sides with the screws provided. See Figure 11. Assemble the brass trim kit with the corner brackets (provided) and slide the trim around the surround. See Figure 12.

Note: Remove the front face and glass door assemblies from the appliance before beginning the surround installation.



Figure 11 - Assembling the Surround

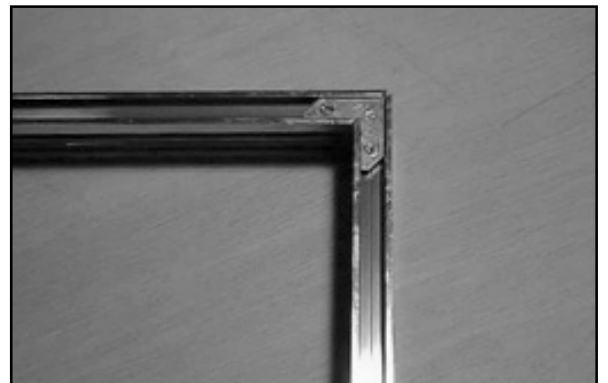


Figure 12 - Assembling the Trim

2. Remove and retain the four attachment screws at the corners of the face of the appliance.
3. Disconnect the ON/OFF switch from the low voltage wire leads. Pull the wires through the surround and trim. Attach the wires to the ON/OFF rocker switch. Push the rocker switch into the hole. See Figures 13 and 14.



Figure 13
Attach ON/OFF Rocker Switch
Wires



Figure 14
ON/OFF Rocker Switch

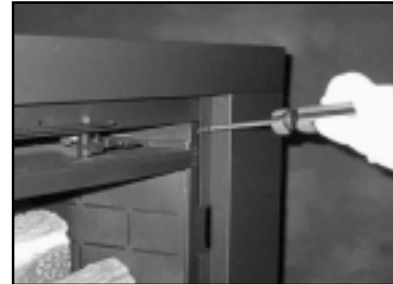


Figure 15
Attaching Surround

4. Slide the surround against the face of the appliance, aligning the holes in the upper and lower, right and left corners and secure the surround to the appliance with the attachment screws. See Figure 15. If optional surround bottom is used, go to Step 5. If surround bottom is not used, slide the appliance back until the surround is tight to the fireplace. Route power cord away from the appliance.
5. Optional Surround Bottom. Remove the surround bottom from the carton. Place hooks on the surround bottom through the slots on the bottom of the surround side. See Figure 16. Slide the surround bottom to the left. Slide the surround back until the it is tight to the appliance. Route power cord away from the appliance.
6. Installing Upper Grille and Control Access Panel. To install the upper grille, place the upper slot on the bracket over the upper screw. Rotate the grille downward. See Figure 17.

To install the control access panel, place the stationary pin (located on the right hand side of the grille) into the lower slot on the surround. Pulling back the spring hinge (located on the left hand side of the grille), slide the grille until the spring hinge lines up with the lower slot on the surround. See Figure 18. Let the spring hinge engage the slot. Rotate the lower grille up and over the screw on the surround.



Figure 16
Optional Surround Bottom



Figure 17
Installing the Upper Grille

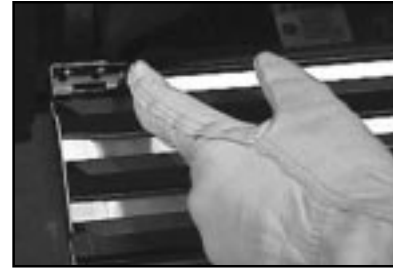


Figure 18
Installing the Control Access
Panel

The first name in fireplaces

7. **Optional Grille Brass Trim.** To place the brass trim on the upper grille and control access panel, place the angled side of the brass trim onto the louver first. From the center of the trim piece, press the bottom edge of the trim onto the louver, moving out to each end. See Figures 19 and 20.

Note: The brass trim is only to be located on the lower louver of the top grille and on the top louver of the control access panel. See Figure 21.

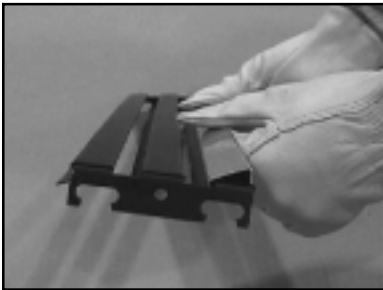


Figure 19
Putting Trim on Upper Grille



Figure 20
Putting Trim on Control Access Panel



Figure 21
Brass Grille Trim Assembled

J. APPLIANCE PREPARATION

The logs are shipped in place. If you have any questions regarding the logs, please contact your local dealer or the Heatilator Technical Services Department.

Note: Placement of the rock wool and lava rock should be done with care and time, as this will effect the look of the fire when burning.

1. PLACING THE LAVA ROCK AND VERMICULITE

Figure 22 shows the proper way to disperse the lava rock. It is not necessary to use the entire bag of lava rock. Lightly sprinkle vermiculite on top of the lava rock to complete the ash bed. See Figure 23.

2. PLACING THE ROCK WOOL

- Tear the rock wool into pieces no larger than 1/2" diameter.
- Lay the rock wool pieces on the top of the burner so that the flame can touch the rock wool and create the look of glowing embers.
- Be sure not to pack the rock wool against the gas ports of the burner. As with the lava rock, it is not necessary to use the entire bag of rock wool. See Figure 24.



Figure 22
Placing the Lava Rock



Figure 23
Placing the Vermiculite



Figure 24
Placing the Rock Wool

K. LIGHTING INSTRUCTIONS

FOR YOUR SAFETY READ BEFORE LIGHTING

WARNING!

If you do not follow these instructions exactly, a fire or explosion may result causing property damage, personal injury or loss of life.

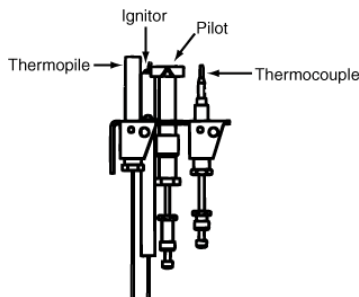
- This gas appliance has a manual ignition device that lights the pilot. When lighting the pilot, follow these instructions exactly.
- STOP!** Before reading further, smell around the appliance area for gas. Be sure to smell next to the floor because some gas is heavier than air and will settle to the floor.

What to do if you smell gas:

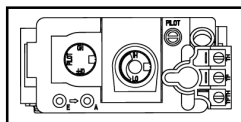
 - Do not try to light the appliance.
 - Do not touch any electric switch; do not use any telephone in your building.
 - Immediately call your gas supplier from a neighbor's telephone. Follow the instructions of your utility.
 - If you cannot reach your utility, call the fire department.
- If the pilot light and burner went out during use, you must take the glass off the appliance and wait to clear out any gas. Follow the light instructions below.
- Use only your hand to push in or turn the gas control knob to light the pilot. Never use tools. If the knob will not push in or turn by hand, do not try to repair it; call a qualified service technician. Using a tool or attempting repairs may result in a fire or explosion.
- Do not use this appliance if any part has been under water. Immediately call a qualified service technician to inspect the appliance and to replace any part of the control system and any gas control that has been under water.

LIGHTING INSTRUCTIONS

- STOP!** Read the safety information above.
- Turn off all electric power to the appliance. If your appliance has a thermostat, set to lowest setting.
- Open control access panel.
- Find the pilot. The pilot is inside the appliance next to the main burner.



- If the gas control knob is at the "OFF" position, go to step 7. If the gas control knob is at the "ON" position, go to step 6.



- If the pilot light went out during normal use with the gas control knob at the "ON" position, turn the gas control knob to the "OFF" position. Remove the fixed glass panel. Wait ten (10) minutes to clear out any gas.

- Smell for gas, including near the floor. If you don't smell gas, go to the next step. If you smell gas, wait another five (5) minutes or until the gas odor is no longer present before continuing. If the odor of gas does not disappear after fifteen (15) minutes, **STOP!** Follow "B" in the safety information above.
- Replace glass panel if it has been removed.
- Turn gas control knob counterclockwise to the "PILOT" position.
- Push the gas control knob in all the way and hold. At the same time, push in the red ignition button repeatedly until the pilot lights. Never hold the gas control knob in for more than ten (10) seconds if the pilot does not light. Once the pilot lights, continue to hold the gas control knob in for 15 seconds. Release the gas control knob and it will pop back up. If pilot does not remain lit, repeat steps 6 through 9.

If gas control knob does not pop back up when released, turn the knob to "OFF" and call your service technician or gas supplier.

If the pilot will not stay on after two attempts, turn the gas control knob to "OFF" and call your service technician or gas supplier.
- Turn gas control knob counterclockwise to the "ON" position. The knob can be turned to the "ON" position only if it is popped out.
- Close the control access panel.
- Turn on electrical power to the appliance. If equipped with a thermostat, set to the desired setting.

TO TURN OFF GAS TO APPLIANCE

- Turn rocker switch to "OFF" or the wall thermostat to lowest setting if your appliance is so equipped.
- Turn off all electric power to the appliance if service is to be performed.
- Open the control access panel.
- Turn the manual shutoff valve clockwise to "OFF".
- Close the control access panel.

1. LIGHTING THE APPLIANCE FOR THE FIRST TIME

Upon completing the gas line connection, a small amount of air will be in the lines. When first lighting the pilot light, it will take a few minutes for the lines to purge themselves of this air. Once the purging is complete, the pilot and burner will light and operate as indicated in the instruction manual.

CAUTION:
During the initial purging and subsequent lightings, NEVER allow the gas valve control knob to remain depressed in the "PILOT" position without pushing the red ignitor button at least once every second.

Subsequent lightings of the appliance will not require such purging.

When lit for the first time, the appliance will emit a slight odor for an hour or two. This is due to paint and lubricants used in the manufacturing process. **Additionally, for the first few minutes after each lighting, vapor may condense and fog the glass and the flames may be blue. After a few minutes, this moisture will disappear and within 15-30 minutes the flames should become yellow.**

2. AIR SHUTTER ADJUSTMENT

CAUTION:
The appliance bottom can get very hot during air shutter adjustment procedures. Allow the appliance to cool before attempting to adjust the air shutter.

The air shutter adjusts the amount of air that mixes with the gas as it enters the burner pan. To adjust the air shutter, locate the wing nut underneath the appliance bottom (see Figure 25). To close the air shutter, turn the wing nut clockwise. To open the air shutter, turn the wing nut counterclockwise. The air shutter is used to fine-tune the flame as necessary for differences in altitude and vent configuration. The air shutter is shipped fully closed with natural gas appliances and fully open with L.P. appliances.

Allow the appliance to operate about 15-20 minutes. This will give the flame time to reach its height and color before making adjustments to the air shutter. As the air shutter is closed, the flame should get taller and darker.

The appliance may produce a noise, caused from metal expansion and contraction as it heats up and cools down. This noise is similar to one that a furnace or heat duct may produce and does not affect the operation or longevity of the appliance.



Figure 25
Air Shutter Wing Nut

L. SEASONAL CHECKLIST

WARNING!

Children and adults should be alerted to the hazards of high surface temperatures and should stay away to avoid burns or clothing ignition. Young children should be carefully supervised when they are in the same room as the appliance.

CAUTION:

Any safety screen or guard removed for servicing an appliance must be replaced prior to operating this appliance. Clothing or other flammable material should not be placed on or near the appliance.

CAUTION:

Installation and repair should be done by a qualified service person. The appliance should be inspected before use and at least annually by a qualified service person. More frequent cleaning may be required due to excessive lint from carpeting, bedding material, etc. It is imperative that control compartments, burners and circulating air passageways of the appliance be kept clean.

STANDING PILOT OPERATION

Hearth Technologies Inc. recommends you leave the pilot on year round.

If you decide to shut down the appliance for a long period of time:

1. Turn all wall switches/thermostats/remote controls to OFF"
2. Turn pilot knob on the valve to OFF.
3. Turn the gas line to CLOSED.

Lighting the Appliance During Regular Use

Turn all wall switches, thermostats, remote controls to ON".

Shutdown During Regular Use

Turn the wall switch to "OFF".

Before operating this appliance have a qualified technician:

1. Review proper placement of logs, rock wool and vermiculite.
2. Check wiring.
3. Check the air shutter adjustment.
4. Ensure there are no gas leaks.
5. Ensure the glass is sealed and in proper position.
6. Ensure the flow of combustion and ventilation air is not obstructed.

WARNING!

Keep the area near the appliance clear and free from combustible materials, gasoline and other flammable vapors and liquids.

WARNING!

Do not use this appliance if any part has been under water. Immediately call a qualified service technician to inspect the appliance and to replace any part of the control system and any gas control which has been under water.

M. FUEL CONVERSION

Do not burn wood or other material in this appliance.

Natural or propane gas conversions necessary to meet the application need to be made by a qualified technician using Hearth Technologies Inc. specified and approved parts.

In the event your appliance must be converted to burn propane, you must use the SCKVP conversion kit. To convert to burn natural gas, you must use the SCKVN conversion kit.

N. START-UP ISSUES

Problem	Cause	Corrective Action
1. Pilot will not ignite.	A. Gas control knob isn't turned to PILOT. B. Gas control knob isn't pushed in. C. Gas is not turned on. D. Ignitor isn't working.	Turn knob to PILOT and push in on the valve. See the lighting instructions on page 15. Check the manual shutoff valve. Check the manual shutoff valve. Check wiring between the Piezo button and the ignitor. Check for cracked ceramic on the electrode. Check the spacing of the ignitor tip and the pilot hood. The spark should be extending approximately 1/8" to the bottom of the pilot hood. Adjust the gap as necessary to give the proper spark.
2. Pilot will not stay lit.	A. Defective thermocouple.	Check the pilot flame. See Figure B, page 19. Adjust the flame if necessary. Be sure the thermocouple is constantly in contact with the pilot flame. Be sure the thermocouple line is attached to the valve.
3. Main burner will not light.	A. Pilot has gone out. B. Gas control knob isn't turned to ON. C. ON/OFF switch D. Thermostat is set too high or is disconnected. E. Bad thermopile.	Relight the pilot. See Page 15. Turn the valve to ON. Turn the switch to ON. Check the wiring connections at the valve and switch. Set the thermostat to a lower temperature. Check the wiring connections and wiring diagram. Not heated up enough (takes about a minute to get up to the correct temperature).
4. Glass fogs up.	A. A normal result of gas combustion	No action is necessary. After the appliance has warmed up, the glass will clear.
5. Blue flames.	A. A normal result during the first 20 minutes of burning.	No action is necessary. The flames will begin to turn more yellowish after about 20 minutes of burning.
6. Flames too short.	A. Valve on low. B. Air shutter too wide.	Turn the variable head to HI. Close down the air shutter; it is not recommended to close it unless it is absolutely necessary.
7. Glass soots.	A. Flame impingement on logs.	Adjust the log set so that the flame does not excessively impinge on it.

The first name in fireplaces

O. MAINTENANCE INSTRUCTIONS

1. CLEANING THE BURNER AND THE CONTROL COMPARTMENT

Keep the burner and control compartment clean by brushing and vacuuming at least once a year. Always turn off the wall switch (or remote control) and gas valve before cleaning.

2. CHECKING THE VENT SYSTEM

The appliance and venting system should be inspected before use, and at least annually, by a qualified field service person, to ensure that the flow of combustion and ventilation air is not obstructed.

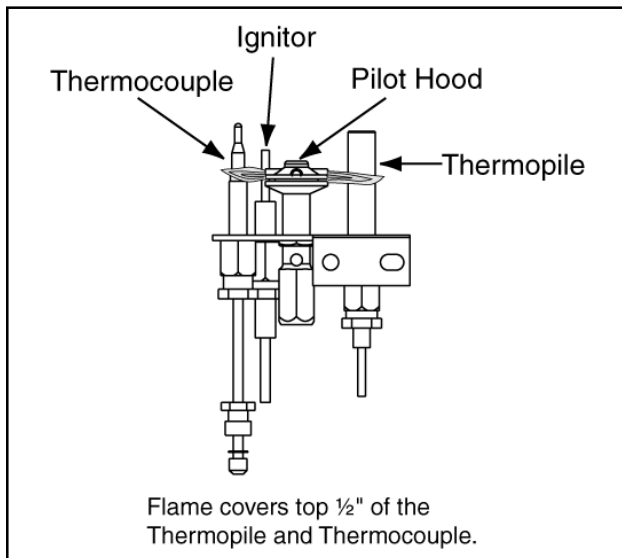


Figure 27 - Standing Pilot

WARNING!

Do not use this appliance if any part has been under water. Immediately call a qualified service technician to inspect the appliance and to replace any part of the control system and any gas control which has been under water.

3. CHECKING FLAME PATTERNS

Check the flame pattern of the burner periodically, making sure the flames are steady, not lifting or floating. The flame color should be blue with yellow tips. See Figure 26

The thermopile and thermocouple (standing pilot) tips should be covered with flame. See Figure 27.

If the vent configuration is installed incorrectly, the vent may cause the flames inside the appliance to lift or "ghost" - a dangerous situation. Inspect the flames after installation to ensure proper performance. See Figure 26. If the vent configuration is correct, yet the flames are lifting or ghosting, shut off the gas to the appliance and contact the dealer.

Note: If the air shutter is open all the way and the flames remain sooty, shut off the gas to the appliance and contact a qualified gas service technician.

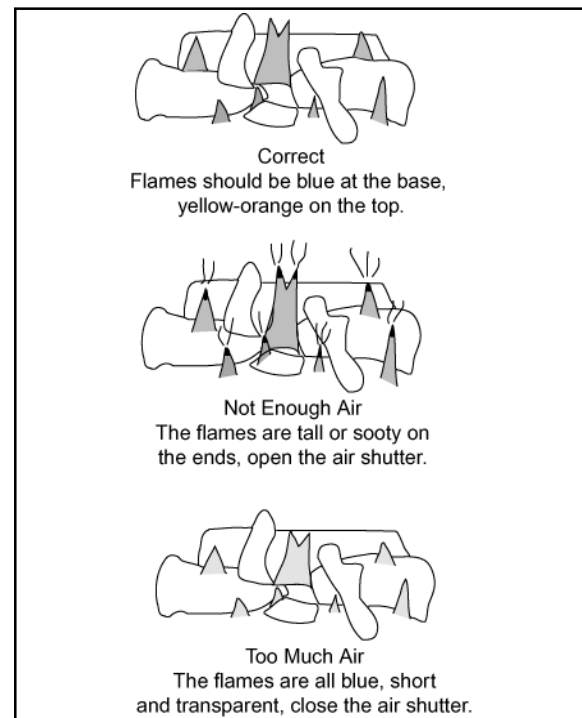


Figure 28 - Flame Patterns

To prevent the possibility of soot buildup, we have provided your appliance with an adjustable air shutter. Your air shutter is set at 1/4" open for natural gas the fully open for propane. In the event soot is accumulating in your appliance, the air shutter should be opened farther.

Note: The look of the flames and embers may differ based on the type of fuel and venting assembly that is used.

P. CLEANING THE GLASS

It is recommended to wear gloves while handling or removing the glass.

Do not remove the glass when hot!

To remove the door frame assembly for cleaning, see Figure 28.

To clean the glass, use a nonabrasive, mild cleaning solution. (For example, a glass cleaner or for stubborn film, an oven cleaner.) Simply apply an adequate amount to the glass and wipe off with a damp cloth. Please be sure all cleaner is thoroughly rinsed from the glass.

Never operate this appliance without the glass properly secured in place or if the glass is broken.

In the event of glass breakage, follow glass removal instructions. This will allow the removal of all glass fragments and sheet metal edge protection strips. Vacuum all remaining glass pieces with a shop vac. **DO NOT VACUUM IF PIECES ARE HOT.** Replace the glass only with Heatilator glass ordered direct or through your local distributor. Never use substitute material. Only ceramic glass may be used on this appliance.



A - Removing the Upper Grille



B - Removing the Control Access Panel



C - Latch Close-up



D - Removing the Glass to be Cleaned

CAUTION:

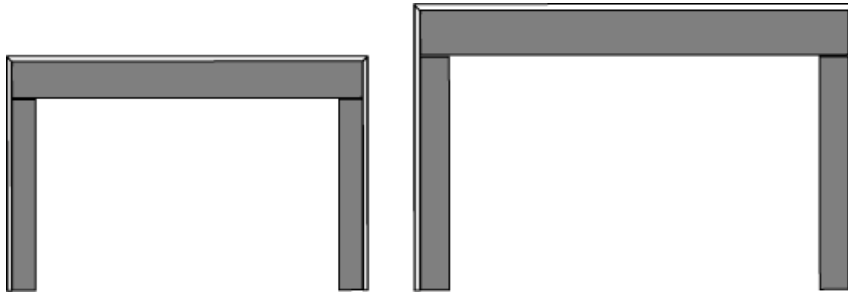
Handle the glass with care to avoid striking, scratching or slamming shut. NEVER clean glass when it is hot. Keep children and pets a safe distance away.

Figure 28 - Glass Cleaning

CAUTION:

Label all wires prior to disconnection when servicing controls. Wiring errors can cause improper and dangerous operation. Verify proper operation after servicing.

Q. OPTIONAL COMPONENTS



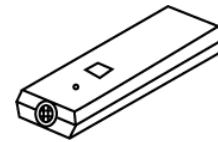
Surrounds:
NS30M NS30L
NS35M NS35L
(Shown Assembled with Trim)

SCKVN
Adjustable Flame Head
(Natural Gas Standing Pilot)

SCKVP
Adjustable Flame Head
(Propane Gas Standing Pilot)



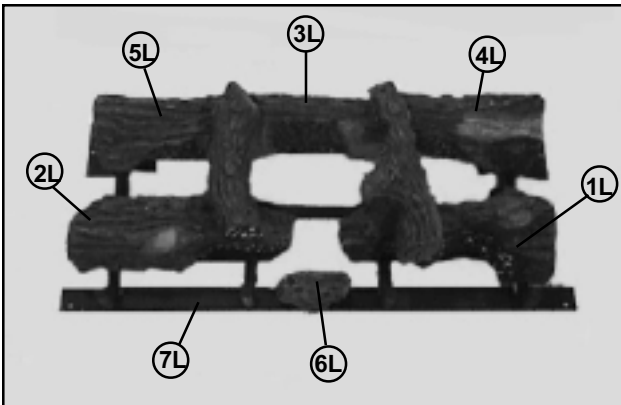
Surround Bottoms:
NSB30M NSB30L
NSB35M NSB35L



RC-SMART-HTL
Remote Control
(Standing Pilot)
RC-BATT-HTL
Battery-operated Remote
Control (Standing Pilot)
SMART-STAT-HTL
Remote Control with
Thermostat Control
SMART-BATT-HTL
Battery-operated Remote
Control with Thermostat
Control

R. REPLACEMENT PARTS

Replacement parts are available from your distributor/dealer.

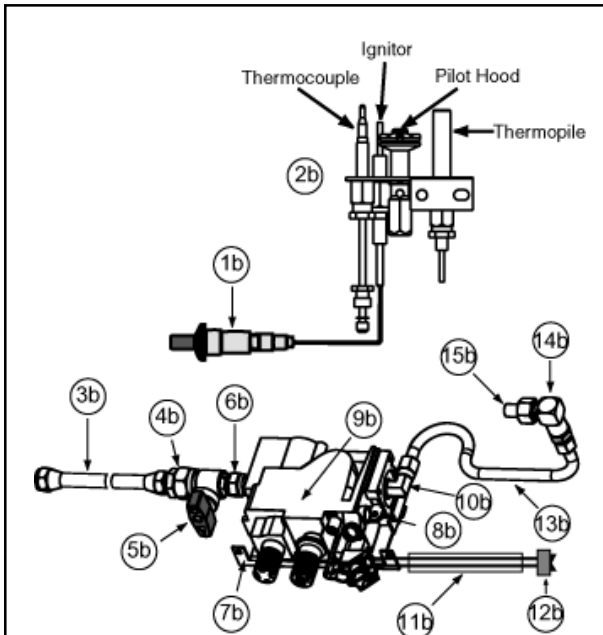


ITEM #	PART #	DESCRIPTION
L	31006	NOVi30 Log/Grate Assembly
	30209	NOVi35 Log/Grate Assembly
1L	27122	Front Log - Right
2L	27123	Front Log - Left
3L	30345	Back Log
4L	27125	Top Log - Right
5L	27127	Top Log - Left
6L	27112	Front Log - Center
7L	31001	NOVi30 Grate Assembly
	30195	NOVi35 Grate Assembly

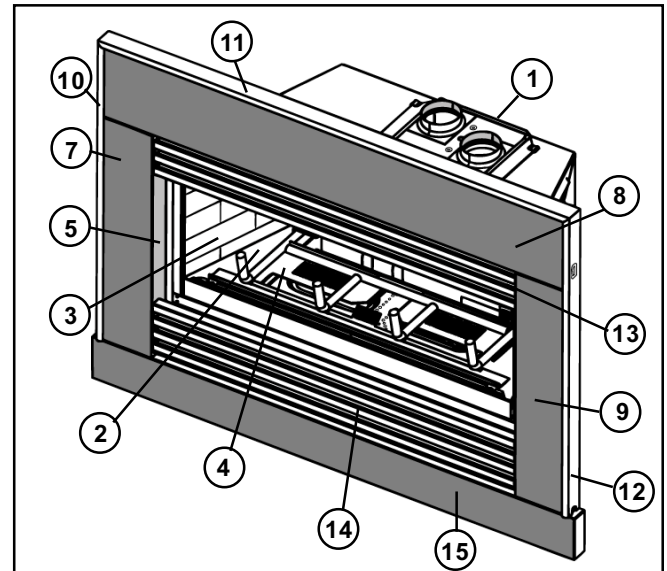
The first name in fireplaces

R. REPLACEMENT PARTS CONTINUED - NOVI30

The first name in fireplaces

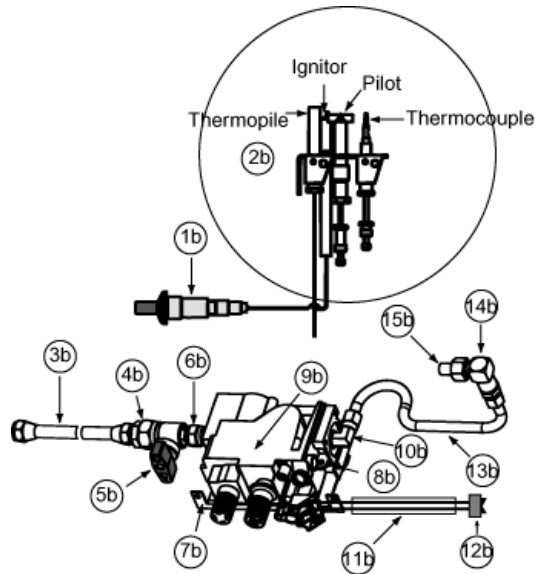


ITEM #	PART #	DESCRIPTION
1b	13416	Push Button Ignitor
2b	29478	Pilot Assembly - Natural Gas
	29479	Pilot Assembly - Propane Gas
3b	17245	SS Flex Gas Line
4b	19641	Brass Fitting - 1/2"-3/8"
5b	15697	"ON/OFF" Valve (Gas Line)
6b	16564	Valve Connector
7b	29850	Valve Connector
8b	30860	5mm x 8mm PPH Screw
9b	29484	Valve - Natural Gas
	29485	Valve - Propane Gas
10b	17524	Brass Elbow
11b	26203	Wire Assembly
12b	25398	"ON/OFF" Rocker Switch
13b	25702	Flex Line
14b	26457	Bulkhead
15b	19837	.106"/2.69 mm.Orifice - N.G.
	17236	.063"/1.60 mm Orifice - L.P.

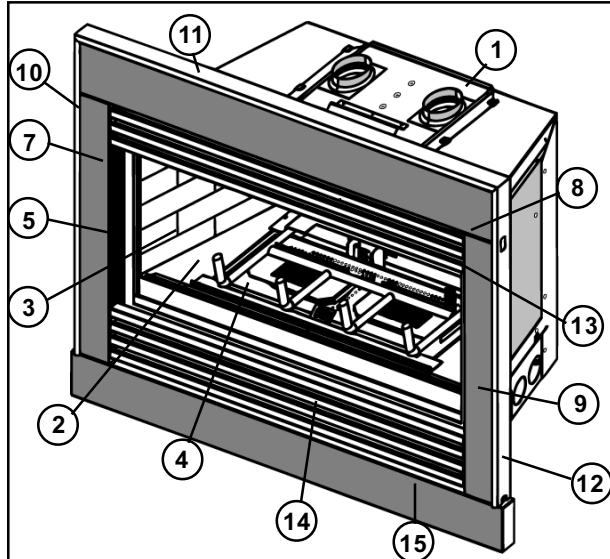


ITEM #	PART #	DESCRIPTION
1	27209	Termination Plate Assembly
2	30999	Hearth Pan
3	30997	Refractory
4	30991	Burner
5	28333	Door Frame Assembly
	27808	Glass Assembly
	27898	Door Frame
6	27895	Glass Latch Assembly (not shown)
7	31011	Surround - Left Side (NS30M)
	31012	Surround - Left Side (NS30L)
8	31015	Surround - Top (NS30M)
	31016	Surround - Top (NS30L)
9	31013	Surround - Right Side (NS30M)
	31014	Surround - Right Side (NS30L)
10	26993	Trim - Left Side (NS30M)
	26994	Trim - Left Side (NS30L)
11	19177	Trim - Top (NS30M)
	19179	Trim - Top (NS30L)
12	26996	Trim - Right Side (NS30M)
	26997	Trim - Right Side (NS30L)
13	31022	Upper Grille Assembly
14	31023	Lower Grille Assembly
15	31019	Bottom Surround Assy. (NSB30M)
	31020	Bottom Surround Assy. (NSB30L)
16	31028	Brass Trim - Upper Grille (not shown)
	31027	Brass Trim - Lower Grille (not shown)
17	27097	Fan Assembly (not shown)
18	20613	Variable Speed Control (not shown)
19	27234	Thermostat Assembly (not shown)

R. REPLACEMENT PARTS CONTINUED - NOVi35



ITEM #	PART #	DESCRIPTION
1b	13416	Push Button Ignitor
2b	29478	Pilot Assembly - Natural Gas
	29479	Pilot Assembly - Propane Gas
3b	17245	SS Flex Gas Line
4b	19641	Brass Fitting - 1/2"-3/8"
5b	15697	"ON/OFF" Valve (Gas Line)
6b	16564	Valve Connector
7b	29850	Valve Connector
8b	30860	5mm x 8mm PPH Screw
9b	29484	Valve - Natural Gas
	29485	Valve - Propane Gas
10b	17524	Brass Elbow
11b	26203	Wire Assembly
12b	25398	"ON/OFF" Rocker Switch
13b	25702	Flex Line
14b	26547	Bulkhead
15b	26617	.115"/2.92 mm Orifice - N.G.
	18678	.070"/1.77 mm Orifice - L.P.



ITEM #	PART #	DESCRIPTION
1	29718	Termination Plate Assembly
2	30351	Hearth Pan
3	29380	Refractory
4	30202	Burner
5	28720	Door Frame Assembly
	28284	Glass Assembly
	28271	Door Frame
6	27895	Glass Latch Assembly (not shown)
7	29372	Surround - Left Side (NS35M)
	29373	Surround - Left Side (NS35L)
8	29368	Surround - Top (NS35M)
	29369	Surround - Top (NS35L)
9	29370	Surround - Right Side (NS35M)
	29371	Surround - Right Side (NS35L)
10	26993	Trim - Left Side (NS35M)
	26994	Trim - Left Side (NS35L)
11	19178	Trim - Top (NS35M)
	28439	Trim - Top (NS35L)
12	26996	Trim - Right Side (NS35M)
	26997	Trim - Right Side (NS35L)
13	29376	Upper Grille Assembly
14	29377	Lower Grille Assembly
15	30358	Bottom Surround Assy. (NSB35M)
	30359	Bottom Surround Assy. (NSB35L)
16	30361	Brass Trim - Upper Grille (not shown)
	30360	Brass Trim - Lower Grille (not shown)
17	27097	Fan Assembly (not shown)
18	20613	Variable Speed Control (not shown)
19	27234	Thermostat Assembly (not shown)

The first name in fireplaces

HOMEOWNER'S NOTES

The first name in fireplaces

Index

A

Air Shutter 17
Air Shutter Adjustment 14

B

Brass Trim Kit 10

C

Certification
 Canada 2
 U.S. 2
Cleaning
 Burner 17
 Control Compartment 17
 Glass 18
Clearances 5
Cold Air Infiltration 6

D

Dimensions
 Novi30 4
 Novi35 4
Down Drafts 6

E

Efficiency rating R 2

F

Firebox Entry 10
Firebox Preparation 12
Flame Patterns 17
Flex Vent Pipe 6
Fuel Conversion 15

G

Gas Line Connection 8
Gas Pressure 8
Glass
 Removal 10
Glass Breakage 18
Grille
 Installation 11
Grille Brass Trim 12

H

Hearth Extension 5
High Altitude Installation 8

I

Insulation 5

L

Lava Rock 12
Lighting Instructions 13
Lighting the Appliance 14
Local Codes 2

M

Maintenance Instructions 17
Mantels 5
Multiple Chimney Terminations 7

O

Optional Components 2, 19
Optional Surround Bottom 11

P

Pipe-to-Cap Adapter 6
Pipe-to-Cap Adaptor 7

R

Remote Control 19
Replacement Parts 19
Rock Wool 12

S

Seasonal Checklist 15
Standing Pilot Operation 15
Start-up Issues 16
Surround Bottom 11
Surround Installation 10
Surrounds 19
System Components 2, 3

T

Termination Height 7
Trapped Air 8
Troubleshooting Problems 16
Typical Installation 7

U

Utilities 8

V

Vent System 5
 Checking 17
 Connecting the Pipe 6
Vermiculite 12

W

Wiring 9
 Fan 9
 Standing Pilot Ignition 9

The first name in fireplaces

heatilator®

The first name in fireplaces

Gas Appliance (Fireplace) Limited Lifetime Warranty

HEARTH TECHNOLOGIES INC. ("HTI") extends the following warranty for HEATILATOR® gas appliances installed in the United States of America or Canada (the "Appliance"). Dealers and employees of HTI have no authority to make any warranty or authorize any remedies in addition to or inconsistent with the terms of this warranty.

Limited Lifetime Warranty.

HTI warrants the Appliance for component failure due to a manufacturing defect of any of the following components: combustion chamber, burner pan, and logs. The Limited Lifetime Warranty specified above is subject to the conditions, exclusions and limitations listed below, is for the period the Appliance is owned by the original homeowner only, and is nontransferable.

1 Year Limited Warranty.

HTI warrants the Appliance to be free from failure of any of the following components for a period of one year after installation: valve, flexible gas line connector, glass panel, fan, direct vent chimney components, factory paint, gasket, piezo ignitor, thermopile, thermocouple, junction box, pilot assembly, shutoff valve, high limit switch, refractory liners, transformer, and control box. If the Heatilator Appliance is found to be defective in either material or workmanship within one year of the date of original installation, HTI will provide replacement parts at no charge and pay reasonable labor and freight costs, and is for the period of one year following the date of original installation of the Appliance.

Conditions, Exclusions, & Limitations of Liability.

- A. Both the Limited Lifetime and 1 Year Limited Warranties supplied by HTI apply only while the Appliance is in its location of original installation. HTI's obligation under this warranty does not extend to damages resulting from (1) installation, operation or maintenance of the Appliance not in accordance with the Installation Instructions, Operating Instructions, and the Listing Agent Identification Label furnished with the Appliance; (2) installation which does not comply with local building codes; (3) shipping, improper handling, improper operation, abuse, misuse, accident or unworkmanlike repairs; (4) environmental conditions, inadequate ventilation or drafting caused by tight sealing construction of the structure, air handling devices such as exhaust fans or forced air furnaces, or other causes; (5) use of fuels other than those specified in the Operating Instructions; (6) installation or use of components not supplied with the Appliance or any other components not expressly authorized and approved by HTI; and/or (7) modification of the Appliance not expressly authorized and approved by HTI in writing. This warranty is limited to only the component parts manufactured or supplied by HTI.
- B. HTI's liability under both the Limited Lifetime Warranty and the 1 Year Limited Warranty is limited to the replacement and repair of defective components or workmanship during the applicable period. HTI may fully discharge all of its obligations under such warranties by repairing the defective component(s) or at HTI's discretion, providing replacement parts at no charge and paying reasonable labor and freight costs.
- C. **EXCEPT TO THE EXTENT PROVIDED BY LAW, HTI MAKES NO EXPRESS WARRANTIES OTHER THAN THE WARRANTY SPECIFIED HEREIN. THE DURATION OF ANY IMPLIED WARRANTY IS LIMITED TO DURATION OF THE WARRANTY SPECIFIED ABOVE.**
- D. Some states do not allow exclusions or limitations of incidental or consequential damages, so those limitations may not apply to you. This warranty gives you specific rights; you may also have other rights which vary from state to state.

How to Obtain Service.

To obtain service under this warranty you must:

1. Send written notice of the claimed condition to Heatilator Technical Service Department, Hearth Technologies Inc., 1915 W. Saunders Street, Mt. Pleasant, Iowa 52641-1563. You may also register your claim online at www.heatilator.com/contact.asp.
2. Provide proof of purchase, model number, serial number, and manufacturing date code to HTI.
3. Provide HTI reasonable opportunity to investigate the claim, including reasonable opportunity to inspect the Appliance prior to any repair or replacement work and before the Appliance or any component of the Appliance has been removed from the place of original installation.
4. Obtain HTI's consent to any warranty work before the work is done.

ADDITIONAL INFORMATION. If you would like information on current HEATILATOR products or want to locate a dealer in your area, call 1-800-843-2848.

©2001 Heatilator is a Registered Trademark of Hearth Technologies Inc.