



Windsor High Efficiency Wood Stove Model WR247001 Owner's Manual

**For Residential Outside Air and Mobile Home Installation
in the US and Canada**

SAFETY NOTICE: IF THIS APPLIANCE IS NOT PROPERLY INSTALLED, OPERATED AND MAINTAINED, A HOUSE FIRE MAY RESULT. TO REDUCE THE RISK OF FIRE, FOLLOW THE INSTALLATION INSTRUCTIONS. FAILURE TO FOLLOW INSTRUCTIONS MAY RESULT IN PROPERTY DAMAGE, BODILY INJURY OR EVEN DEATH. CONTACT LOCAL BUILDING OFFICIALS ABOUT RESTRICTIONS AND INSTALLATION INSPECTION REQUIREMENTS IN YOUR AREA.

This manual describes the installation and operation of the Model WR247001 non-catalytic wood heater. This heater meets US Environmental Protection Agency's emission limits for wood heaters. Under specific conditions this heater has been shown to deliver heat at rates ranging from 11,492 to 18,920 BTU/hr.

This stove is listed by OMNI-Test Laboratories of Portland, Oregon to meet UL1482 for the US and ULC-627 for Canada

6" Flue required

Do Not Discard This Manual: Retain for Future Use

CAUTION

After reading these instructions, if you have any doubt about your ability to complete your installation in a professional like manner you should obtain the services of an installer versed in all aspects as to the correct and safe installation. Do not use temporary makeshift compromises during installation.

Before Installation of Your Appliance

1. Check with the building inspector's office for compliance with local codes; a permit may be required.
2. This appliance requires a masonry or prefabricated chimney listed to ULC S629 (Canada) and UL103HT (U.S.). Sized correctly.
3. A 6" (152 mm) diameter flue is required for proper performance.
4. Always connect this unit to a chimney and **NEVER** vent to another room or inside a building.
5. **DO NOT** connect this unit to any duct work to which another appliance is connected such as a furnace.
6. **DO NOT** connect this unit to a chimney flue serving another appliance.
7. The connector pipe and chimney should be inspected periodically and cleaned if necessary.
8. Remember the clearance distances when you place furniture or other objects within the area. **DO NOT** store wood, flammable liquids or other combustible materials too close to the unit.

Refer to certification label on back of your unit for required clearances.

9. Contact your local municipal or provincial fire authority for information on how to handle a chimney fire. Have a clearly understood plan to handle a chimney fire. In the event of a chimney fire, turn air control to closed position and **CALL THE FIRE DEPARTMENT.**
10. **DO NOT** tamper with combustion air control beyond normal adjustment.

Operation Precautions

Why the correct flue size is important - 6"

Draft is the force which moves air from the appliance up through the chimney. The amount of draft in your chimney depends on the length of the chimney, local geography. Nearby obstructions, and other factors. Too much draft may cause excessive temperatures in the appliance. An uncontrolled burn or a glowing red part or chimney connector indicates excessive draft. Inadequate draft may cause back puffing into the room and "plugging" of the chimney and/or cause the appliance to leak smoke into the room through appliance and chimney connector joints.

Today's solid fuel appliances are much more efficient than in the past. The units are designed to give you controlled combustion, as well as maximum heat transfer, using less fuel to do so.

The design of your new appliance is such that the exhaust "smoke" is now at lower temperatures than in the past, therefore requiring proper chimney size to give adequate draft. If your chimney is too large, the heating appliance will have a difficult time to raise the "chimney flue" temperature to give adequate draft, therefore causing a smoke back up, poor burn or both.

Should you experience such a problem call in a local chimney expert.

With the door closed, the rate of burning is regulated by the amount of air allowed to enter the unit through the air control. With experience you will be able to set the control for heat and burning time desired.

Once the required chimney draft is obtained, operate only with doors closed and open doors slowly when re-fueling. (This will reduce or eliminate smoke from entering the room).

Attempts to achieve higher output rates that exceed heater design specifications can result in permanent damage to the heater. The recommended wood load is level with the top of the firebricks.

Overloading may prevent sufficient air entering the heater to properly fuel the fire.

Operate this heater only with the door closed.

DO NOT BURN GARBAGE OR FLAMMABLE FLUIDS.

DO NOT USE CHEMICALS OR FLUIDS TO START THE FIRE.

ALWAYS PROVIDE A SOURCE OF FRESH AIR INTO THE ROOM WHERE THE UNIT IS INSTALLED. FAILURE TO DO SO MAY RESULT IN AIR STARVATION OF OTHER FUEL BURNING APPLIANCES AND THE POSSIBLE DEVELOPMENT OF HAZARDOUS CONDITIONS.

THIS HEATER IS EXTREMELY HOT WHILE IN OPERATION. SERIOUS BURNS CAN RESULT FROM CONTACT. KEEP CHILDREN, CLOTHING AND FURNITURE AWAY.

Optional Blower: Model S31105
120 V, 60 Hz, 0.75 Amps, 2900 rpm

DANGER: Risk of Electric Shock.

Disconnect power before servicing unit.

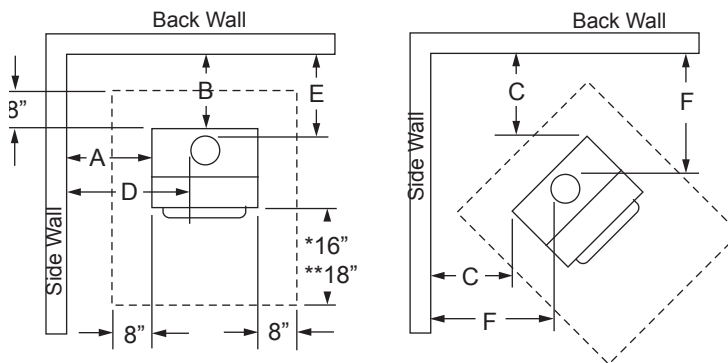
IMPORTANT: For optimum heater performance at "low" burn rate, operate the fan at low speed.

Installation

Contact your local building inspector prior to installation. A permit may be required in your area.

1. Remove all parts from inside the stove body.
2. Select the proper location for the stove. These appliances must not be installed any closer than the minimum clearance to combustible materials, shown in Brick pattern (on diagram sheet). The stove must be installed on a noncombustible surface as shown in Figure 1.

Figure 1
Clearance from Combustible Materials



* 16" (406 mm) in the US ** 18" (457 mm) in Canada

Clearance to Combustible Materials

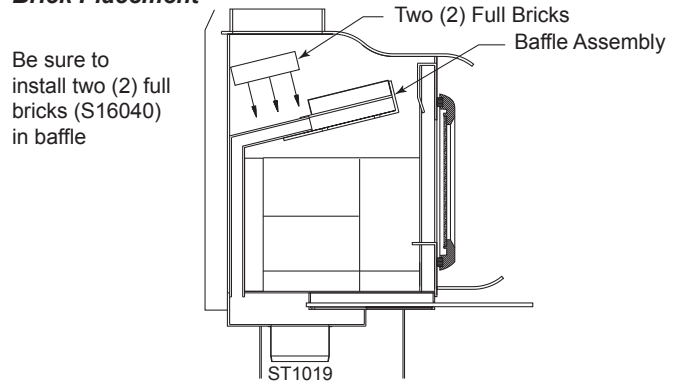
6" Flue Required							
	A	B	C	D	E	F	G
Single wall Connector	10½" (267)	10½" (267)	10½" (267)	19" (483)	11½" (292)	19" (483)	54" (1372)
Double wall Connector	2½" (84)	5" (127)	2½" (64)	10½" (267)	5½" (140)	10" (254)	54" (1372)

Unit must be placed on a noncombustible floor protection equivalent to 3/8" millboard. Floor protector must have min. R value of .893. Consult your local building authorities for further information.

3. If noncombustible materials have been installed on the walls, obtain the minimum clearances from either the manufacturer of these materials or the local building inspector's office.
4. Install the refractory bricks. (Fig. 2) (Refer also to Page 11) Be sure all bricks are in place.
5. Install the stovepipe INSIDE the flue collar on the top of the stove between the stove and chimney.
6. **DO NOT** use a grate to elevate the fire.

Failure to follow the minimum clearance requirements and noncombustible surface requirements may result in an unsafe installation.

Figure 2
Brick Placement



Parts and Tools Required for Unpacking and Assembly

Residential

- Single wall connector pipe or listed double wall connector pipe as required
- 3/8" (10 mm) #6 sheet metal screws to secure connector pipe
- Electric drill with 1/8" (3 mm), 5/32 (4 mm) and 3/16" (4.5 mm) drill bits
- Screwdriver to secure sheet metal screws

Mobile Home and Outside Air Option

In addition to tools required for residential installation you will require:

- 1/4" carbide drill bit
- Hammer
- A saw capable of cutting a 4" diameter hole. Refer to instruction sheet with the outside air kit

Unpacking

Cut and remove strapping bands. Remove cardboard carton, loose parts and packing.

Inspect stove for possible damage received during shipping.

Stove Pipe

1. A clearance of 18" (457 mm) between the stovepipe and combustible materials may be required. Check with authorities having jurisdiction in your area.
2. All pipe sections must be connected with the male end (crimped end) toward the stove.
3. Fasten the stove pipe to the flue collar by the use of three (3) sheet metal screws. Do the same at each additional joint to make the entire installation rigid.
4. Maintain the required diameter flue for the entire installation.

5. If you are connecting the stove to an old masonry flue, be sure to have it inspected for cracks and general condition.
6. It is recommended that no more than two (2) 90° bends be used in the stove pipe installation. More than two (2) 90° bends may decrease the amount of draw and possibly cause smoke spillage.
7. A damper is not required in this installation. Remove damper plate in the chimney or secure in the OPEN position.

Mobile Home: Use only the following chimney and mobile home kits.

Manufacturer	Double Wall Connector Pipe	High Temperature Pipe
Selkirk Metalestos	DS	Sentinal CF-3
Security	DC-2100	S-2100
Oliver MacLeod	PRO-VENT	HT-3000
GSW	SUPER PIPE 6	SUPER CHIMNEY 21

CAUTION: DO NOT open fire-door to a point where it would be in contact with the combustible sidewall.

Optional Fan - An optional heat exchange blower is available for this wood burning appliance. To order please see the local dealer where you purchased your appliance.

Floor Protection

Installation on a Concrete Floor

An appliance mounted on a concrete floor does not require floor protection.

Carpeting and any other combustible material shall not cover Floor Protector.

If a combustible surface is applied to the concrete floor, a clearance must be maintained equivalent to the area reserved for the floor protector. (Fig. 1)

Installation on a Combustible Floor

If the appliance is to be installed on a combustible floor or a combustible floor covering, it must be installed on a 3/8" (10 mm) thick noncombustible millboard floor protector or durable equivalent. The pad must be installed beneath the appliance extending 18" (457 mm) in Canada, 16" (406 mm) in the U.S. On any side equipped with a door, and 8" (203 mm) on all other sides. In the US, the pad must cover any horizontal chimney connector runs and extend 2" (51 mm) beyond each side.

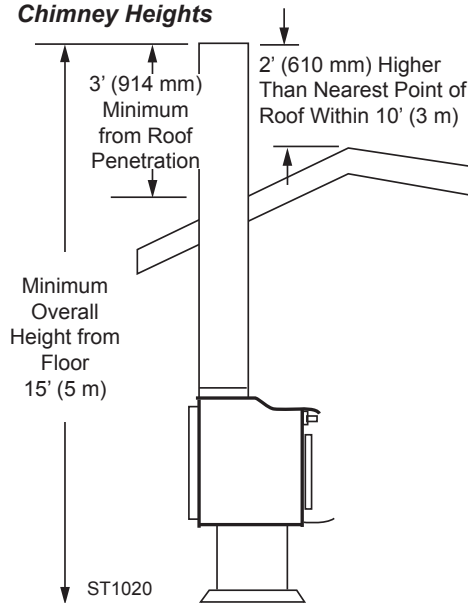
A grouted ceramic floor-tile surface installed per local building code considered equivalent.

Chimney

CONTACT YOUR LOCAL BUILDING AUTHORITY FOR APPROVED METHODS OF INSTALLATION.

1. This appliance requires a masonry or pre-manufactured chimney listed to ULC S629 (Canada) and UL 103HT (US) sized correctly.
2. If a masonry chimney is used, it is advisable to have your chimney inspected for cracks and check the general condition before you install your unit. Relining may be required to reduce the flue diameter to the appropriate functional size.
3. To help ensure a good draft, the top of the chimney should be at least 3 feet (914 mm) above the point of penetration through the roof, and be at least 2 feet (610 mm) higher than any point of the roof within 10 feet (3 m).

Figure 3
Chimney Heights



4. The chimney connector shall not pass through an attic, roof space, closet, concealed space, floor, ceiling, wall or any partition of combustible construction.
5. The minimum overall height of your chimney should be 15 feet (5 m) from the floor. (Fig. 3)

6. Do not use make shift compromises during installation.

Refer to chimney manufacturer's instructions.

Mobile Home Installation

An outside air installation kit must be purchased when installing in a mobile home.

Follow directions in the manual for minimum clearances, hearth requirements, stove location and outside air intake installation.

CAUTION: The structural integrity of the mobile home floor, wall and ceiling roof must be maintained.

WARNING: The stove must be installed to the following criteria:

1. Do not install in sleeping room.
2. An outside air source is required to feed air to the firebox.
3. The stove must be securely fastened to the mobile home floor.
4. The listed chimney package, with spark arrester, must be attached directly to the stove.
5. The stove must be placed on a noncombustible hearth extension pad.
6. Overall height of mobile solid fuel heater and its chimney shall not be less than 10' (3 m) or more than 20' (6 m).

WARNING: It is important that no ceiling or floor joists be cut when installing either the outside air kit or chimney.

Mobile Home Chimney Installation

Locate the stove considering both floor and ceiling construction. Outside air intake vent must pass through the floor or wall. The chimney must pass through the ceiling. Both must be done without interrupting structural forms. Refer to outside air installation instructions supplied with the kit. The first section of connector pipe must be fastened to the stove with three (3) sheet metal screws.

Important Precautions

A source of fresh air must be provided into the room. Your stove has been designed to burn clean and efficiently. Failure to operate as instructed in this manual will result in poor combustion with subsequent smoking, creosote build up and unsatisfactory heat production. Do not store combustible materials within 48" (1.2 m) of the stove. This stove is designed to operate with the doors closed only.

CAUTION: This stove is designed to burn wood only.

DO NOT burn coal. Open the door slowly to allow gases to escape up the chimney and help prevent smoke rollout.

DO NOT burn salt-water driftwood, as it will corrode the stove.

DO NOT over-fire your stove. If any parts of your stove or chimney connector start to glow, you are over-firing.

Outside Air Kit

An optional kit is available for installations utilizing outside combustion air. Order the outside air kit and follow the directions for installation.

Some older masonry chimneys have flue areas of 8" x 12", 12" x 12" or as large as 16" x 16" and are probably unlined. These chimneys would take more than 2 hours to warm up and may smoke frequently (this is

not a stove problem). The solution would be to reduce the area by relining it with an approved chimney liner or replacing the chimney.

Regulations specify the chimney must extend 2' (610 mm) above a 10' (3 m) radius of the top of the chimney.

Operation

Do not use a grate or elevate fire. Build wood fire directly on hearth. When the stove is used for the first time the solvents in the paint will smoke off.

Wood

This heater is designed to burn natural wood only. Higher efficiency and lower emissions generally result when burning air dried seasoned hardwood, as compared to softwood or to green or freshly cut hardwood.

Only use dry seasoned wood. Green wood, besides burning at only 60 percent of the fuel value of dry wood, deposits creosote on the inside of your stove and along the chimney. This can cause an extreme danger of chimney fire. To be called "seasoned", wood must be dried for a year. Regardless of whether the wood is green or seasoned, it should be stored in a well-sheltered, ventilated area to allow proper drying during the year to come. Wood should be stored beyond recommended clearance from combustibles.

DO NOT BURN:

Treated Wood	Solvents	Trash	Coal
Garbage	Cardboard	Colored Paper	

Instructions for First Burn - Curing the Stove Paint

Your stove has been painted with the highest quality stove paint and has special break-in procedures. The heat generated by the normal operation of the stove, will serve to harden the paint.

Ventilate the house during the first three times the stove is used. The paint on the stove will give off smoke, carbon dioxide and an odor. Without adequate ventilation, concentrations of smoke could irritate you or cause damage to person and/or property. Open doors and windows and use a fan if necessary. After the initial burns the paint will be cured and there should be no more smoke.

Each of the initial burns should be conducted as follows:

1. The first and second burns should be approximately 250° F (120° C) for approximately 20 minutes.
2. The third burn should be between 500° F (260 to 370° C) for at least 45 minutes. The important fact is the paint should be cured slowly. Avoid hot fires during the curing process.

During the curing process the paint will be gummy. Once cured the paint will remain hard.

It is normal to see flat spots on painted surfaces of the stove. The flat spots on the paint surface indicate the

hotter surfaces of the stove, and is caused by the heat radiating through the paint. It is also expected that shiny spots caused by friction from the packaging materials, will disappear during the curing of the stove.

SO:

1. Remember to ventilate well.
2. Allow the stove to cure before burning for long periods at high temperatures.
3. Flat spots on the painted surfaces are normal.
4. Shiny spots on the paint surface before burning is normal.
5. Call your dealer if you have any questions.

Building a Fire

Never use gasoline, gasoline-type lantern fuel, kerosene, charcoal lighter fluid or similar liquids to start or 'freshen up' a fire in this heater. Keep all such liquids well away from the heater while it is in use.

1. Open inlet air control fully.
2. Place a small amount of crumpled paper in the stove.
3. Cover the paper with a generous amount of kindling in a teepee fashion and a few small pieces of wood.
4. Ignite the paper and close door. If fire dies down substantially, open door slightly.
5. Add larger pieces of wood as the fire progresses being careful not to overload. Do not fill firebox beyond firebrick area. An ideal coal bed of 1" to 2" should be established to achieve optimum performance.
6. This unit is designed to function most effectively when air is allowed to circulate to all areas of the firebox. An ideal means of achieving this is to rake a slight (1" to 2" wide) trough in the center of the coal bed from front to back prior to loading the fuel.
7. Once fuel has been loaded, close the door and open air inlet control fully until fire is well established (approx. 10 minutes) being careful not to overfire.
8. Readjust air inlet control to desired burn rate. If excessive smoke fills firebox, open air inlet control slightly until flames resume and wood is sufficiently ignited. While a basic rule of thumb is "closed-low", "1/2 way - medium" and "fully open-high", refer to the Inlet Air Control Settings chart.
9. When refueling, adjust air control to the fully open position. When fire brightens, slowly and carefully open the door. This procedure will prevent gases from igniting causing smoke and flame spillage.
10. Add fuel being careful not to overload.

Inlet Air Control Settings

Desired Burn Setting	Inlet Air Setting	**Approx. BTU Output
Low	Closed Fully	11,492
Med / Low	1/4 Open	11,721
Med / High	3/4 Open	15,501
High	Fully Open	18,920

Glass Care

The following use and safety tips should be observed.

1. Inspect the glass regularly for cracks and breaks. If you detect a crack or break, extinguish the fire immediately and contact your dealer for replacement.
2. Do not slam door or otherwise impact the glass. When closing doors, make sure that logs or other objects do not protrude and impact the glass.
3. Do not clean the glass with materials which may scratch (or otherwise damage) the glass. Scratches on the glass can develop into cracks or breaks.
4. Never attempt to clean the glass while unit is hot. If the deposit is not very heavy, normal glass cleaners are adequate with a plain, nonabrasive scouring pad. Heavier deposits may be removed with the use of a readily available oven cleaner.
5. Never put substances which can ignite explosively in the unit since even small explosions in confined areas can blow out the glass.
6. This unit has an airwash system, designed to reduce deposits on glass.

Replace glass only with high temperature Robax Pyroceram of the proper size and thickness.

Gasket Replacement

After extensive use, the sealing material which provides glass and door seal may need to be replaced if it fails to sustain its resilience. Inspect glass and door seal periodically to ensure for proper seal. If gaskets become frayed or worn, replace immediately.

Contact your dealer for approved replacement parts.

The following steps should be followed for glass gasket replacement:

1. Ensure appliance is not in operation and has thoroughly cooled.
2. Remove screw and glass clip.
3. Lift glass out from glass clip.
4. Remove old gasket and clean glass.
5. Replace new gasket starting at the bottom of glass working along edges, being sure to center gasket channel on glass.
6. Trim to length and butt ends together.

7. Replace glass in door, being sure not to over-tighten screw and clip.

The following steps should be followed for door gasket replacement:

1. Ensure appliance is not in operation and has thoroughly cooled.
2. Remove old door gasket and clean channel.
3. Using an approved high temperature gasket cement, apply a thin coat in bottom of channel.
4. Starting at hinge side of door, work into around door unit, and butt and trim to length.
5. Close door and allow three to four hours for cement to set before restarting appliance.

Creosote

When wood is burned slowly, it produces tar and other organic vapors. These combine with moisture to form creosote. Creosote vapors condense in the relatively cool chimney flue of a slow-burning fire. As a result, creosote residue accumulates on the flue lining. When ignited, this creosote makes an extremely hot fire. The chimney should be inspected regularly during the heating season to determine if a creosote build-up has accumulated. If this is the case, the creosote should be removed to reduce the risk of chimney fire.

Ways to Prevent and Keep Unit Free of Creosote

1. Burn with air control open for several minutes at numerous intervals throughout the day during the heating season, being careful not to over-fire unit. This removes the slight film of creosote accumulated during low burn periods.
2. Burn stove with draft control wide open for several minutes every time you apply fresh wood. This allows wood to achieve the charcoal stage faster and burns wood vapors which might otherwise be deposited within the system.

3. Burn only seasoned wood. Avoid burning wet or green wood. Seasoned wood has been dried for at least one year.
4. A small hot fire is preferable to a large smouldering one that can deposit creosote within the system.
5. Establish a routine for the fuel, wood burner and firing technique. Check daily for creosote build-up until experience shows how often you need to clean to be safe. Be aware that the hotter the fire, the less creosote is deposited. Weekly cleaning may be necessary in mild weather even though monthly cleaning may be enough in the coldest months. Contact your local municipal authority for information on how to handle a chimney fire. Have a clearly understood plan to handle a chimney fire.

WARNING: Things to remember in case of chimney fire: 1. Close draft control. 2. Call the fire department.

Ash Disposal

This unit features a convenient ash lip for easy removal of ash. During constant use, ashes should be removed every few days, or whenever ashes get to three to four inches deep in the firebox. Remove ashes only when the fire has died down and the ashes have cooled. Even then, expect to find a few hot embers.

Ashes should be placed in a metal container with a tight-fitting lid. The closed container of ashes should be placed on a noncombustible floor, well away from all combustible materials, pending final disposal. If the ashes are disposed of by burial in soil or otherwise locally dispersed, they should be retained in the closed container until all cinders have thoroughly cooled. Other waste should not be placed in the ash can.

IMPORTANT

Helpful Hints

1. What is the correct way to start a fire?

- a. You will need small pieces of dry wood (kindling) and paper. Use only newspaper or paper that has not been coated or had unknown materials glued or applied to it. Never use coated (typically advertising flyers) or colored paper.
- b. Open the door of the wood stove.
- c. Crumple several pieces of paper and place them in the center of the firebox and directly on to the firebricks of the wood stove. Never use a grate to elevate the fire.
- d. Place small pieces of dry wood kindling) over the paper in a teepee manner. This allows for good air circulation, which is critical for good combustion.
- e. Light the crumpled paper in 2 or 3 locations:
NOTE: It is important to heat the air in the stovepipe for draft to start.
- f. Fully open the air control of the wood stove and close the door until it is slightly open, allowing for much needed air to be introduced into the fire box. Never leave the door fully open as sparks from the kindling may occur causing injury or property damage. As the fire begins to burn the kindling, some additional kindling may be needed to sustain the fire. **DO NOT** add more paper after the fire has started.
- g. Once the kindling has started to burn, add some of the smaller pieces of seasoned (dry) firewood.
NOTE: Adding large pieces at the early stages will only serve to smother the fire. Continue adding small pieces of seasoned (dry) firewood, keeping the door slightly open until each piece starts to ignite. Remember to always open the door slowly when placing wood into the fire.
- h. Once the wood has started to ignite and the smoke has reduced, close the wood stove door fully. The reduction of smoke is a good indication that the draft in the chimney has started and good combustion is now possible. Larger pieces of seasoned (dry) firewood can now be added when there is sufficient space in the firebox. Adjust the air control setting to desired setting.
- i. **NOTE:** The lower the air control setting the longer the burn time of your firewood.

2. What type of wood is best to use as firewood?

Dry seasoned hardwood should be used. Avoid green unseasoned wood. Green wood, besides burning at only 60 percent of the fuel value of dry seasoned wood, will deposit creosote on the inside of your stove and along the inside of your chimney.

3. What does dry seasoned wood mean, and what is considered hardwood?

Wood that has been dried for a period of one year in a well-ventilated and sheltered area would be considered dry seasoned wood. Hardwoods are generally from slow growth trees (Example: Oak and fir) Softwoods are generally from fast growth trees. (Example: Pine and spruce).

4. Will following the above listed steps for starting a fire result in perfect results all the time?

The quick answer is most of the time. There are many variables that may affect your success rate when starting a fire. Most of those variables and how to deal with them will be learned through experience. Your ability to start a good fire will significantly increase with time and patience. Some of the reasons for poor stove performance will be covered next.

5. Why can't I get the fire lit?

Damp or wet wood and poor draft are the main reasons for poor results in starting a fire. Always use dry seasoned wood for your fire. Even wood dried for two years will be difficult to ignite, if it has become wet.

6. Why is there always a large quantity of thick black smoke present in the firebox?

A large quantity of thick black smoke in the firebox, is a good indication that the draft is poor.

7. Is it normal for soot to cover the glass at the beginning of a fire?

Your stove has been built with an air wash system that will help keep the glass clear when the firebox has reached a good operating temperature and has a good draft. Cold firebox temperature and poor draft cause sooting of the glass. Once the firebox temperature and the draft increases, the soot will burn off.

8. What is draft?

Draft is the ability of the chimney to exhaust draw by-products produced during the normal combustion process.

9. What can cause a poor draft?

The most common factors for poor draft are:

- a. Atmospheric pressure and air supply
- b. Environmental conditions
- c. Cold chimney temperature
- d. Poor chimney installation and maintenance

a. Atmospheric Pressure and Air Supply

Atmospheric pressure affecting the draft from a chimney can be either outside the home, inside the home or both. Outside the home, a high-pressure day (clear and cool) generally creates a better draft in the chimney than a low-pressure day (overcast and damp). Inside the home, normal household appliances, such as clothes dryers

and forced air furnaces compete for air resulting in inadequate amounts of air available to fuel a fire and create a condition known as negative pressure. Under extreme conditions of negative pressure the combustion by-products can be drawn from the chimney and into the house. This condition is commonly referred to as down drafting. There are several factors that impact the amount of air available in the home. Increased amounts of insulation vinyl windows, extra caulking in various places and door seals can all keep heat in but may also make a home too airtight. If you are in doubt about whether or not there is sufficient air in your home for your stove, curtail using those appliances known to consume the air where possible, or open a window or door to allow air to enter the home.

b. Environmental Conditions

High trees, low lying house location such as in a valley, tall buildings or structures surrounding your house and windy conditions can cause poor draft or down drafting.

c. Cold Chimney Temperature

Avoid cold chimney temperatures by burning a hot fire for the first fifteen to forty minutes, being careful not to over fire. If any part of the chimney or parts of the stove start to glow, you are over firing the stove. Where possible, install a temperature gauge on the chimney so temperature drops can be seen.

d. Chimney Installation and Maintenance

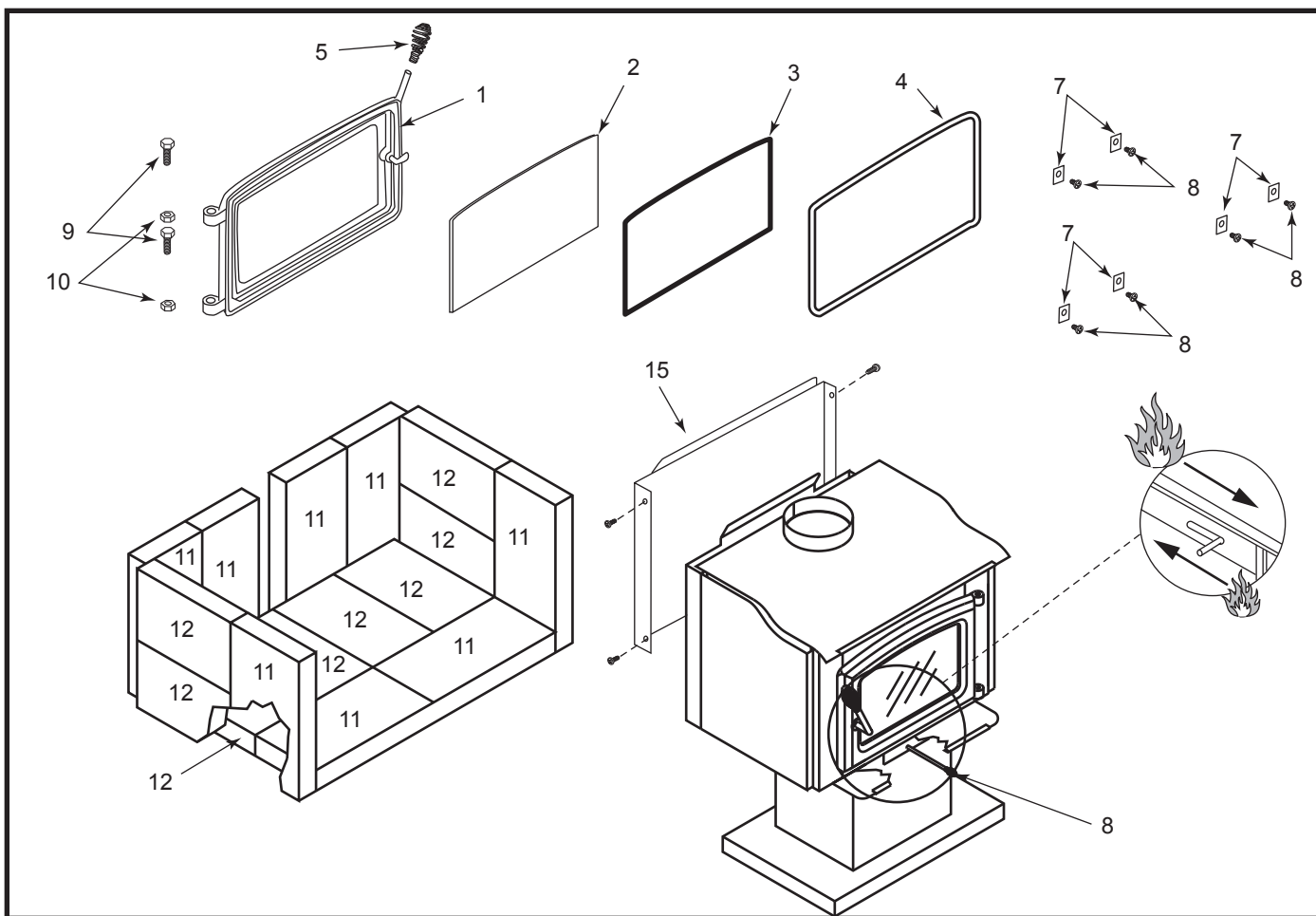
Avoid using too many elbows or long horizontal runs. If in doubt, contact a chimney expert and/or chimney manufacturer for help. Clean chimney, rain caps and especially spark arrester regularly, to prevent creosote build up, which will significantly reduce chimney draw and may cause a chimney fire.

10. Should I close or open the air control fully when shutting down the stove?

When shutting down the stove, fully open the air control. This allows the chimney temperatures to remain as high as possible for as long as possible. Cold chimney temperatures create creosote.

NOTE: This instruction is intended as an aid and does not supersede any local, provincial or state requirements. Check with officials or authorities having jurisdiction in your area.

Proposition 65 Warning: Fuels used in gas, wood-burning or oil fired appliances, and the products of combustion of such fuels, contain chemicals known to the State of California to cause cancer, birth defects and other reproductive harm.
California Health & Safety Code Sec. 25249.6



MHSC reserves the right to make changes in design, materials, specifications, prices and discontinue colors and products at any time, without notice.

WR247001 Wood Stove

Item No.	Description	Qty.	Part No.
1.	Door Assembly	1	S12053G
2 & 3.	Glass and Gasket	1	S31117
3.	1/8" Glass Gasket	4.0'	S15001
4.	5/8" Door Gasket	4.5'	S15011
5.	Spring Handle	1	90000069
6.	Air Control Spring Handle	1	90000070
7.	Glass Clip	6	S37034
8.	Screw	6	S11086
9.	Hinge Pin	2	S11005
10.	Push Nut	2	S11090
11.	Firebrick Lt. 9" x 4 ⁷ / ₁₆ " x 1 ¹ / ₄ "	10	S16040
12.	Firebrick Lt 6 ¹ / ₂ " x 4 ⁷ / ₁₆ " x 1 ¹ / ₄ "	8	S16249
13.	Cast Ashlip	1	S25078
14.	Hex Cap PL 1/4-20 x 1/2	2	S11463

5 Year Warranty

MHSC warrants that your new wood burning stove or masonry wood insert is free from manufacturing and material defects for a period of five years from the date of sale, subject to the following conditions and limitations.

1. This warranty is extended to the original owner only, for residential use, and is subject to proof of purchase.
2. The new MHSC product must be installed and operated at all times in accordance with the installation and operation instructions supplied with the appliance, and installation must be to local and national codes. Any alterations, willful abuse, accident, over firing or misuse will not be covered under warranty. NOTE: Some minor movement of certain parts is normal and is not a defect and therefore, not covered under warranty.
3. The warranty is non-transferable, and is made to the original owner, provided that the purchase was made through an authorized MHSC supplier. The serial number must be supplied along with the Bill of Sale, showing the date of purchase, at the time the claim is submitted.
4. This warranty is limited to the repair or replacement of parts only, found to be defective in material or construction, provided that such parts have been subjected to normal conditions of use and service, after a said defect has been confirmed by MHSC, or an authorized representative's inspection. Defective parts must be shipped back (at MHSC discretion), transportation prepaid, to the manufacturer. Credits will be issued upon receipt of return of the defective product to MHSC.
5. MHSC, at its discretion, can fully discharge all obligation with respect to this warranty by refunding the wholesale price of the defective part(s).
6. Any installation, labor, construction, transportation or other related costs or expenses arising from defective parts, repair, replacement or otherwise of same, will not be covered by this warranty, nor will MHSC assume responsibility for same. Further, MHSC will not be responsible for any incidental, indirect or consequent damages, except as provided by law, and in no event shall they exceed the original purchase price.
7. All other warranties - expressed or implied - with respect to the product, its components and accessories, or any obligations /liabilities on the part of MHSC are hereby expressly excluded.
8. MHSC neither assumes, nor authorizes any third party to assume, on MHSC's behalf, any other liabilities with respect to the sale of this MHSC product.
9. The warranties as outlined within this document do not apply to chimney components or other products made by other manufacturers when used in conjunction with the installation of this product. Improper use or the use of non-approved components may nullify your warranty. If in doubt, contact your nearest authorized MHSC supplier or MHSC Customer Service Department.
10. MHSC will not be responsible for:
 - Down drafts or spillage caused by environmental conditions such as near-by trees, buildings, rooftops, hills, mountains or ineffective chimney design.
 - Inadequate ventilation, excessive offsets or negative air pressure caused by mechanical systems such as furnaces, clothes dryers, fans, etc.
11. This warranty is void if:
 - The appliance has been operated in atmospheres contaminated by chlorine, fluorine, or other damaging chemicals.
 - This appliance has been subjected to prolonged periods of dampness or condensation.

- The appliance has any damage due to water, or weather damage that is the result of, but not limited to, improper chimney/venting installation.
- The appliance has been subjected to willful or accidental abuse or misuse.
- Corrosive driftwood, manufactured logs or other fuels are used other than as outlined in the installation and operating instructions.
- The appliance is not maintained in good condition, including firebrick and gaskets.

Doors with Glass and Plated Parts

Glass is warranted against thermal breakage only. To clean glass, use a ceramic glass cleaner or polish. Do not use ammonia-based cleaners. A suitable cleaner is available from your nearest Hearth Products dealer. **DO NOT CLEAN GLASS WHILE HOT AND DO NOT USE ABRASIVE CLEANERS.**

Plated parts will not be covered under this warranty. Plated parts should be cleaned with soap and warm water and immediately dried. Plated parts may also be damaged by external chemicals.

Plated parts will not be covered under this warranty. Plated surfaces should be cleaned by using denatured alcohol only and rubbed lightly with a lint-free non-abrasive cloth. Excessive rubbing or polishing may remove the plated finish.

Discoloration of certain parts is normal and is not a defect, and therefore not covered under warranty.

Further Exclusions

This warranty will not include or extend to paint, gaskets or firebrick components, and does not cover any removable firebox components such as brick retainers or stainless steel air tubes.

Electrical Components

MHSC warranty coverage extends to electrical components (e.g. blowers, speed controls) for one (1) year only.

IF WARRANTY SERVICE IS REQUIRED

Contact MHSC Customer Service. Make sure you have your sales receipt and the model/serial number of your MHSC product.

Do not attempt to do any service work yourself, unless pre-approved by MHSC in writing this will void the warranty.

MHSC must authorize service and provide a Warranty Claim Number prior to any warranty related service calls. Without an authorization number, any service work will not be deemed warranty.

NOTE: Some states and provinces do not allow the exclusion or limitation of incidental or consequential damages. The above limitation may not apply to you.

MHSC
149 Cleveland Drive
Paris, KY 40361

KEEP THIS WARRANTY

Serial # _____

Model # _____

Date Purchased _____

Poêle à bois Windsor haute efficacité Modèle WR247001

Pour résidentiel de l'air extérieur et l'installation de maisons mobiles aux États-Unis et en Canada.

AVIS DE SÉCURITÉ : Si le poêle n'est pas correctement installé, utilisé et entretenu, il y a risque d'incendie. Pour votre sécurité, veuillez suivre les directives d'installation, d'utilisation et d'entretien. Contactez les responsables locaux de la construction pour connaître les limites et les conditions de vérification de l'installation dans votre région.

Lire avec soin les instructions suivantes avant d'installer le poêle Modèle WR247001 non catalytique. Ce poêle respecte les limites d'émission pour les poêles à bois fixées par l'agence Américaine de protection de l'environnement. Dans des conditions spécifiques, ce poêle dégage entre 11 492 et 18 920 BTU à l'heure.

Cet appareil a été enregistré OMNI-Test Laboratories of Portland, Oregon Itée respectant ou dépassant les normes UL1482 US et ULC-627 Canada

Tuyau de cheminée 6 po

NOTA : Gardez cette feuille pour consultation futur

Mise En Garde

Après avoir lu ces instructions, si vous avez des doutes quant à votre capacité de faire toute l'installation d'une manière professionnelle, vous devriez retenir les services d'un installateur qui s'y connaît relativement à tous les aspects d'une installation à la fois sere et correcte. **NE FAITES PAS** de compromis temporaires lorsque vous faites l'installation.

Avant d'installer votre appareil

1. Assurez-vous avec le bureau de l'inspecteur des bâtiments que votre installation respecte les codes locaux; vous pourriez avoir besoin d'un permis pour installer votre poêle.
2. Cet appareil doit être raccordé à une cheminée en maçonnerie ou à une cheminée préfabriquée portant le numéro ULC S629 (Canada) et UL 103HT (États-Unis) de la bonne dimension.
3. Il faut qu'un chemisage de cheminée de six pouces (152 mm) en acier inoxydable soit raccordé à ce poêle le inséré pour en tirer le meilleur rendement possible.
4. Raccordez toujours cet appareil à une cheminée et ne permettez **JAMAIS** que les émanations soient dirigées vers une autre pièce ou à l'intérieur de l'immeuble.
5. **NE RACCORDEZ PAS** cette unité sur un autre système de conduits auquel un autre appareil est raccordé, comme un four.
6. **NE RACCORDEZ PAS** cet appareil sur une cheminée déjà raccordée sur un autre appareil.
7. Le tuyau de raccordement et la cheminée doivent être inspectés périodiquement et nettoyés lorsque c'est nécessaire.
8. Rappelez-vous les espaces de dégagement requis lorsque vous placez des meubles ou d'autres objets dans la pièce. **N'ENTREPOSEZ PAS** de bois, de liquides inflammables ni d'autres matières combustibles trop près de votre appareil.
Consultez l'étiquette d'homologation à l'endos de votre unité pour connaître les distances de dégagement nécessaires.
9. Communiquez avec vos autorités municipales ou provinciales en matière d'incendie pour avoir des informations sur ce qu'il faut faire en cas d'incendie de cheminée. Ayez un plan bien arrêté sur ce que vous devez faire en cas d'incendie de cheminée. En cas d'incendie de cheminée, fermez le contrôle d'admission d'air et **TÉLÉPHONEZ AU SERVICE DES INCENDIES.**
10. **NE TRAFIQUEZ PAS** la commande d'admission d'air au-delà de son réglage normal.

Fonctionnement précaution

Pourquoi un conduit d'évacuation de 6 po (152 mm)?

Le tirage est le déplacement de l'air dans le conduit d'évacuation et la cheminée, vers l'extérieur. L'efficacité du tirage dépend de la longueur de parcours entre l'appareil et l'air libre, de facteurs géographiques, de la proximité d'autres habitations, etc. Un tirage trop fort peut entraîner une température excessive dans l'appareil. Une combustion non contrôlée ou le rougissement d'une section de tuyau indique un excès de tirage. Un tirage trop faible peut causer un refoulement de fumée dans la pièce ou l'obstruction de la cheminée et (ou) causer des fuites de fumée par les joints du conduit d'évacuation.

De nos jours, les appareils à combustible solide sont d'une grande efficacité. Les unités sont conçues pour produire une combustion contrôlée et un maximum de transfert de chaleur tout en utilisant moins de combustible.

Votre appareil est fait pour évacuer la fumée moins chaude que par le passé; le diamètre de votre cheminée est important pour obtenir un tirage adéquat. Si votre cheminée est trop grande, l'appareil arrivera difficilement à en réchauffer l'intérieur pour obtenir un tirage convenable; il y aura refoulement de fumée ou combustion trop faible ou les deux à la fois.

Si un tel problème se révèle, appeiez un expert en cheminée de votre localité.

Lorsque la porte est fermée, le taux de combustion est déterminé par la quantité d'air pénétrant dans l'appareil par le volet d'admission d'air. Avec un peu d'expérience, vous arriverez à régler le volet en fonction de la chaleur et de la durée de combustions désirées.

Une fois obtenu le tirage de cheminée requis, n'opérez qu'avec la porte fermée et ouvrez lentement.

La porte lors du remplissage.

Toute tentative d'obtenir un taux de combustion dépassant la limite pour laquelle l'appareil a été conçu peut entraîner un dommage permanent. La charge de bois recommandée correspond au remplissage jusqu'au sommet des briques réfractaires. Trop mettre de bois dans l'appareil. Cet appareil est conçu pour fonctionner à porte fermée.

NE PAS BRÛLER DES DÉCHETS NI DE LIQUIDES INFLAMMABLES DANS CE POËLE.

N'UTILISEZ PAS DE PRODUIT CHIMIQUE NI DE LIQUIDE POUR ALLUMER FEU.

TOUJOURS FOURNIR UNE SOURCE D'AIR FRAIS DANS LA PIÈCE OÙ L'UNITÉ EST INSTALLÉE. L'ÉCHEC POUR FAIRE SI PEUT AVOIR POUR RÉSULTAT DE LA FAMINE D'AIR D'AUTRE CARBURANT BRÛLE DES APPAREILS ET LE DÉVELOPPEMENT POSSIBLE DE CONDITIONS HASARDEUSES.

L'APPAREIL DEVIENT TRÈS CHAUD EN UTILISATION. DE GRAVES BRÛLURES PEUVENT ÊTRE CAUSÉES À SON CONTACT. IL FAUT ÊTRE PARTICULIÈREMENT PRUDENT EN PRÉSENCE D'ENFANTS.

Soufflerie Facultative : Modèle S31105
120 V, Frequ 60 Hz, 0.75 Amps 2900 RPM

DANGER : Risque de secousse électrique, débranchez avant de procéder à l'entretien.

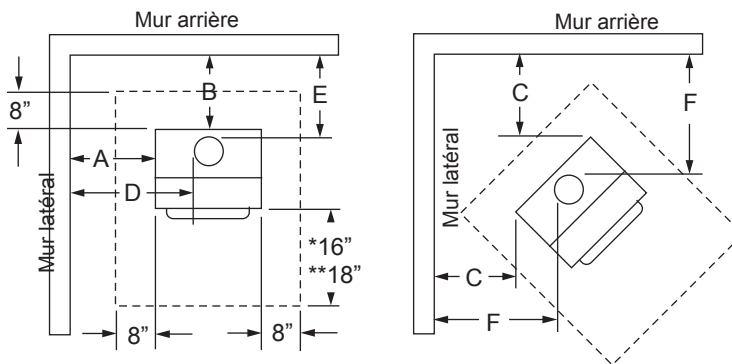
Important : Pour une meilleure performance de cet appareil au "allumage bas" le ventilateur doit fonctionner à vitesse bas.

Installation

1. Retirez tous les composants placés à l'intérieur du poêle.
2. Choisissez l'emplacement pour le poêle. Cet appareil ne doit pas être installé en-deçà des distances de dégagement minimales à respecter par rapport aux matières combustibles (à la page 24). Le poêle doit être installé sur une surface non combustible. (Fig. 1)
3. Si des matériaux non combustibles ont été installés sur les murs, obtenez du fabricant de ces matériaux ou du bureau local d'inspection des bâtiments les distances de dégagement minimales à respecter.
4. Installez des briques réfractaires. (Fig. 2) Assurez-vous que toutes les briques sont en place.
5. Installez le tuyau à fumée à L'INTÉRIEUR du collier de la cheminée, sur le dessus du poêle pour relier le poêle et la cheminée.
6. N'UTILISEZ PAS de chenets dans votre poêle.

Si vous ne respectez pas les distances de dégagement minimales requises et ne disposez pas sur une surface non combustible, votre installation pourrait présenter des problèmes de sécurité.

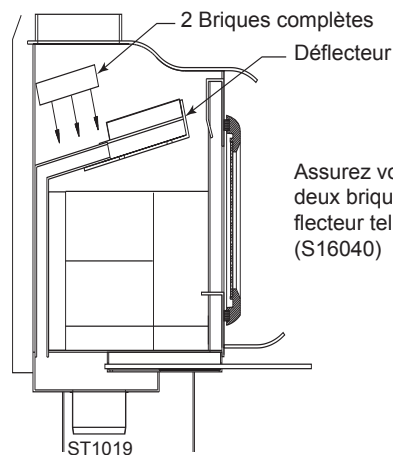
Figure 1
Dégagement entre le poêle et –les matériaux combustibles



Tuyau de cheminée 6 po							
	A	B	C	D	E	F	G
d'un poêle avec raccord de cheminée à parloi simple	10½ (267)	10½ (267)	10½ (267)	19 (483)	11½ (292)	19 (483)	54 (1372)
d'un poêle avec raccord de cheminée à parloi double	2½ (84)	5 (127)	2½ (64)	10½ (267)	5½ (140)	10 (254)	54 (1372)

Le poêle doit être installé sur un plancher inflammable, équivalent à 9,5 mm) 3/8 po "millboard". Protecteur pour le plancher faut être un minimal R evaluer de .893. Informez vous auprès de l'inspecteur en bâtiment de votre localité pour déterminer si un permis est requis.

Figure 2
Installez des briques



Assurez vous de bien installer deux briques entieres dans le déflecteur tel que montre ci dessus (S16040)

Pièces et outils requis pour débiller le poêle et l'assembler

Résidentiel

- Tuyau de raccordement à paroi unique ou tuyau de raccordement à double paroi selon les besoins.
- Vis à métal #6 de 3/8 po (10 mm) pour retenir les tuyaux de raccordement. Perceuse électrique et mèches de 1/8 po (3 mm), 5/32 po (4 mm) et de 3/16 po (4,5 mm). Tournevis pour visser les vis à métal.

Maison mobile et alimentation optionnelle en air provenant de l'extérieur.

En plus des outils requis pour les installations résidentielles, il vous faudra également ce qui suit:

- Une mèche au carbure de 1/4 po.
- Un marteau
- Une scie capabel de découper un orifice de 4 po de diamètre. Voir la feuille d'instructions fournie avec la trousse d'alimentation en air provenant de l'extérieur.

Déballage

Coupez et retirez les sangles. retirez le carton, les pièces amovibles et l'emballage.

Inspectez le poêle pour voir s'il a été endommagé pendant son expédition.

Tuyau à fumée

1. Prévoyez au moins 18 po de dégagement entre le tuyau à fumée et les autres matériaux combustibles. Vérifier avec les autorités ayants juridiction dans votre région.
2. Toutes les sections de tuyau doivent être raccordées de sorte que la partie mâle (extrémité dentelée) soit orientée vers le poêle.
3. Fixez le tuyau à fumée sur le collier de la cheminée à l'aide de trois vis à métal. Faites de même à chaque joint additionnel pour que toute votre installation soit bien rigide.
4. Conservez le diamètre de cheminée requis sur toute la hauteur de l'installation.
5. Si vous raccordez le poêle sur une ancienne cheminée de maçonnerie, faites-la inspecter pour voir si elle est fissurée; obtenez une évaluation de son état général; vous devrez peut-être en faire modifier la dimension à l'aide d'un cheminsage en acier inoxydable.
6. Il est recommandé de limiter à un maximum de 2 le nombre de coudes à 90° dans le tuyau à fumée installé; autrement, vous risquez de réduire le tirage, ce qui pourrait entraîner des refoulements de fumée.

7. Il n'est pas nécessaire d'avoir de régulateur de tirage. Retirez la plaque de régulation du tirage installé dans la cheminée ou fixez-la en position OUVERTE.

Maisons mobile: Les cheminées suivantes sont uniquement réservées aux maisons mobiles.

Manufacturer	Raccord de cheminée double paroi	Raccord de cheminée haut temperature
Selkirk Metalbestos	D.S.	Sentinel CF-3
Security	C-2100	S-2100
Oliver MacLeod	Pro-Vent	HT-300
GSW	Super Pipe 6	Super Chimney

MISE EN GARDE : Ne pas ouvrir la porte pare-feu à un endroit où elle toucherait le mur latéral combustible,

Ventilateur facultatif - Il est possible d'obtenir un ventilateur servant à l'échange de chaleur avec cet appareil de chauffage au bois. Pour le commander, voyez le distributeur local auprès de qui vous avez acheté votre appareil.

Revêtement de protection des planchers

Installation sur un plancher en béton

Il n'est pas nécessaire d'installer un revêtement de protection du plancher sous un appareil posé sur un plancher en béton.

Le revêtement de protection des planchers ne doit pas être recouvert de tapis ou autre matériel combustible.

Lorsqu'une surface combustible est posée sur un plancher en béton, il faut maintenir un dégagement équivalent à la zone réservée pour le revêtement de protection des planchers. voir le diagramme ci-dessous.

Installation sur un plancher combustible

Si l'appareil est installé sur un plancher combustible ou un revêtement de plancher combustible, il doit être installé sur un revêtement de protection des planchers en carton enroulé non combustible épais ou un équivalent durable. Le revêtement doit être installé sous l'appareil et dépasser de 457 mm (18 po) au Canada et de 16 po (406 mm) aux États-Unis de chaque côté comportant une porte, et de 203 mm (8 po) des autres côtés. Aux États-Unis, le revêtement doit couvrir les tuyaux à fumée horizontaux et dépasser de 51 mm (2 po) de chaque côté.

Un plancher en céramique jointoyée installé conformément au code du bâtiment local est considéré comme un équivalent durable.

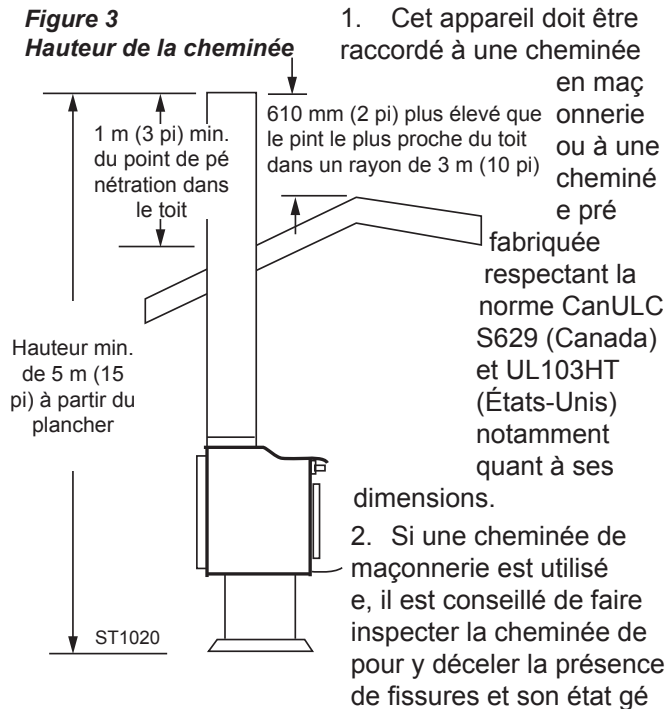
Cheminée

Consultez les instructions du fabricant de la cheminée et des connecteurs de la cheminée.

Communiquez avec les autorités locales du bâtiment pour connaître les méthodes approuvées d'installation.

Figure 3

Hauteur de la cheminée



1. Cet appareil doit être raccordé à une cheminée en maçonnerie ou à une cheminée préfabriquée respectant la norme CanULC S629 (Canada) et UL103HT (États-Unis) notamment quant à ses dimensions.

2. Si une cheminée de maçonnerie est utilisée, il est conseillé de faire inspecter la cheminée de pour y déceler la présence de fissures et son état gé-

néral avant d'installer votre appareil. Vous devrez peut-être faire installer un chemisage pour réduire le diamètre de la cheminée et la ramener à une taille fonctionnelle appropriée.

3. Pour aider à obtenir un bon tirage, le dessus de la cheminée doit être à au moins 914 mm (3 pi) au-dessus du point d'entrée dans la toiture et au moins à (610 mm) 2 pi au-dessus de tout point de la couverture situé dans un rayon de 3 m (10 pi).
4. Le connecteur de la cheminée ne doit pas passer à travers un entre-toit, une garde-robe, un autre espace caché similaire ou à travers un plancher, un plafond, un mur ou une cloison contenant des matériaux combustibles.
5. La hauteur hors tout minimale (pour les constructions résidentielles) de votre cheminée devrait être de 4-5 m (15 pi) à partir du plancher.
6. Ne faites pas de compromis temporaires lorsque vous faites l'installation.

Installation dans les maisons mobiles

Achetez une trousse d'installation pour les maisons mobiles lorsque vous installez le poêle dans une maison mobile. Suivez les instructions contenues dans le manuel pour avoir les distances de dégagement minimales, les exigences au niveau du sol, de l'emplacement du

poêle et de l'installation de l'admission d'air de combustion provenant de l'extérieur.

Mise en garde : L'intégrité structurale du plancher de la maison mobile, des murs, du plafond et de la toiture doit être conservée en tout temps.

Avvertissement : Le poêle doit être en respectant les critères suivants :

1. N'installez pas le poêle dans une chambre à coucher.
2. Il faut un approvisionnement en air provenant de l'extérieur pour alimenter le feu en air.
3. Le poêle doit être solidement fixé au plancher de la maison mobile.
4. Le pare-étincelles de la trousse de la cheminée doit être fixé, directement sur le poêle.
5. Le poêle doit être placé sur une base non combustible.
6. Dans une maison mobile, la hauteur totale de l'appareil de chauffage à combustible solide et de sa cheminée ne doit pas être inférieure à 10 pi (3 m) ni dépasser 20 pi (6 m).
7. Observez les instructions en ce qui concerne les distances de dégagements indiquées pour les maisons mobiles.

Avvertissement : Il est important qu'aucune solive de plancher ou de plafond ne soit coupée lorsque vous installez le tuyau d'alimentation en air frais de combustion ou la cheminée.

Installation de la cheminée dans une maison mobile

Placez le poêle en fonction des matériaux de construction utilisés dans le plancher et dans le plafond.

La bouche d'admission d'air provenant de l'extérieur doit passer à travers le plancher et la cheminée doit passer à travers le plafond sans nuire à ni l'un ni l'autre des composants structuraux du bâtiment. (voir les instructions sur l'installation de la bouche d'air provenant de l'extérieur).

La première section de tuyau à fumée doit être fixée au poêle à l'aide de 3 vis à métal.

Précautions importantes

Il faut prévoir une source d'alimentation en air frais dans la pièce.

Votre poêle a été conçu pour avoir une combustion à la fois propre et efficace. Si vous ne l'utilisez pas tel que décrit dans ce manuel, la combustion ne sera pas de bonne qualité; par conséquent, le feu ne sera qu'en veilleuse; la créosote s'accumulera et la production de chaleur ne sera pas satisfaisante.

N'entrez pas les matières combustibles à moins de 48 po du poêle.

Ce poêle est conçu pour être utilisé uniquement lorsque sa porte est fermée.

Mise en garde : Ce poêle est conçu pour ne consommer que du bois.

Il ne faut pas y faire brûler du charbon. Ouvrez la porte lentement pour laisser le temps aux gaz du bois de s'échapper par la cheminée.

Ne brûlez pas de déchets dans votre poêle.

Ne brûlez pas de billes de bois ayant séjourné dans l'eau salée pour ne pas corroder votre poêle.

De ne pas surchauffer votre poêle. Si des parties de votre poêle ou le connecteur du cheminée commencent à rougir, vous entraînez de surchauffer.

Trousse d'alimentation en air provenant de l'extérieur

Vous pouvez obtenir une trousse optionnelle d'installation qui alimentera le poêle en air de combustion provenant de l'extérieur. Commandez la trousse pour les maisons mobiles et suivez les instructions d'installation.

Certaines vieilles cheminées de maçonnerie ont des cheminées de 8 po x 12 po, de 12 po x 12 po ou même de 16 po x 16 po; souvent, ces cheminées et elles risquent souvent de produire des refoulements de fumée (il ne s'agit pas d'un problème avec votre poêle mais bien de la cheminée). La solution consiste à réduire la taille de la cheminée en y installant un chemisage approuvé ou à remplacer la cheminée.

Les règlements indiquent que la cheminée doit avoir 2 pi (610 mm) de plus que tout autre objet qui se trouve dans un rayon de 10 pi (3,0 m) du dessus de la cheminée.

Utilisation du poêle

N'utilisez pas de grille dans le poêle pour relever le feu. Établissez votre feu directement sur le fond de la chambre de combustion. Lorsque vous utilisez votre foyer pour la première fois, les solvants contenus dans la peinture s'évaporeront en produisant un peu de fumée.

Bois

Cet appareil est conçu pour la combustion de bois naturel seulement. On obtient le meilleur rendement et le minimum d'émission polluante en utilisant du bois franc bien sec plutôt que du bois mou ou du bois franc non séché. N'utilisez que du bois bien sec. Le bois vert ne produit que 60% du rendement en chaleur obtenu par la combustion de bois sec; et le bois vert produit une accumulation de crésote dans l'unité et sur la paroi intérieure de la cheminée, ce qui présente un fort danger de feu de cheminée. Pour être sec, le bois doit avoir été exposé au grand air pendant une année. De toute façon, vert ou sec, le bois doit être abrité dans un endroit

bien ventilé. Et le bois doit être gardé à distance de tout combustible.

Ne brûlez pas:

• du bois traité • du charbon • des solvants • des rebuts desordures • du carton • du papier coloré

Instructions s'appliquant à la première utilisation de votre poêle - mûrissement de la peinture appliquée sur le poêle

Votre poêle a été peint avec une peinture de la plus haute qualité pour les poêles; cette peinture comporte une procédure spéciale de première utilisation. La chaleur générée par l'utilisation normale du poêle servira à durcir la peinture.

Ventilez la maison au cours des trois premières fois où vous utilisez le poêle. La peinture appliquée sur le poêle émettra de la vapeur, du gaz carbonique et une odeur. Sans ventilation adéquate, les concentrations de fumée peuvent irriter, provoquer des blessures corporelles et/ou des dommages à votre propriété. Ouvrez les portes et les fenêtres et, au besoin, utilisez un ventilateur. Une fois que vous aurez utilisé votre poêle pour les premières fois, la peinture aura mûri et il ne devrait plus y avoir d'émanations de fumée.

Les premières utilisations de votre poêle devraient se faire comme suit :

1. Les deux premières utilisations devraient atteindre environ 250 degrés F (120 degrés C) pendant environ 20 minutes.
2. La troisième utilisation devrait porter la température à 500 degrés F (260 à 370 degrés C) pendant au moins 45 minutes. Il faut que la peinture vieillisse lentement. Évitez les feux vifs pendant le vieillissement de la peinture.

Pendant le mûrissement de la peinture, cette dernière deviendra collante. Une fois qu'elle est mûrie, la peinture restera dure. Il est normal de voir des endroits mats sur les surfaces peintes de votre poêle. Les endroits mats indiquent les surfaces les plus chaudes de votre poêle. Ces endroits mats proviennent de la radiation de la chaleur à travers la peinture. Il faut également s'attendre à constater la présence d'endroits luisants causés par la friction causée par les matériaux d'emballage; ces endroits luisants disparaîtront pendant le mûrissement de la peinture.

Ainsi...

1. N'oubliez pas de bien ventiler.
2. Laissez la peinture du poêle mûrir avant d'utiliser le poêle pendant de longues périodes à des températures élevées.
3. Il est normal de constater la présence d'endroits mats sur la peinture.
4. Il est normal d'avoir des endroits luisants sur la peinture.

- Consultez votre marchand si vous avez des questions.

Préparation d'un feu

Pour allumer ou raviver le feu, n'utilisez jamais d'essence, d'huile à lampe, de kérosène, de fluide d'allumage pour charbon de bois ou d'autres produits similaires. Gardez ces produits loin de ce poêle à bois.

- Ouvrez complètement le volet d'admission d'air.
- Mettez quelques boules de papier sur la sole.
- Couvrez le papier d'une quantité généreuse de bois d'allumage en forme de tente et d'une ou deux petites bûches de bois de chauffage.
- Allumez le papier et laissez la porte entrouverte.
- Une fois le feu bien allumé, ajoutez du bois mais ne remplissez pas la chambre de combustion au-dessus des briques réfractaires. Un lit de cendre de 25 à 50 mm (1 à 2 po) permet la meilleure performance.
- L'appareil est conçu pour donner son meilleur rendement quand l'air peut circuler partout dans la chambre de combustion. Un bon moyen d'y arriver consiste à creuser un sillon de 25 à 50 mm (1 à 2 po) dans le lit de cendre avant de mettre le papier et le bois.
- Après avoir préparé et allumé le feu, fermer le porte et ouvrez complètement le volet d'admission d'air jusqu'à ce que le bois soit bien enflammé (à peu près de 10 minutes) en prenant soin de ne pas surchauffer.
- Réglez le volet d'admission d'air au taux de combustion désiré. S'il y a trop de fumée dans la chambre de combustion, ouvrez un peu le volet d'admission d'air pour que le bois mieux allumé produise plus de flammes. bien que vous ayez la règle pratique de (à peine ouvert), (à demi ouvert) et (totalement ouvert), vous pouvez obtenir plus de renseignements sur la feuille jointe concernante votre unité spécifique.
- Quand vous ajoutez du bois, réglez le volet d'admission d'air en position complètement ouverte. Si le feu devient trop ardent, ouvrez un peu la porte, tout doucement pour prévenir l'ignition des baz causant de la fumée et un excès de flammes.
- Chaque fois que vous ajoutez du bois, n'en mettez pas trop.

Réglages du volet d'admission d'air

Taux de combustion	Reglage du volet d'admission	**Chaleur dégagés en BTU (approx.)
Faible	Fermé	11 492
Moy. / Faible	Ouvert 1/4 po	11 721
Moy. / Fort	Ouvert 3/4 po	15 501
Fort	Grande ouvert	18 920

**La performance peut varier selon les conditions réelles d'utilisation dans la maison.

Soin de la vitre

Respectez les conseils d'utilisation et de sécurité qui suivent:

- Surveillez l'apparition de fissures ou brisures dans la vitre. S'il en apparaît, éteignez immédiatement le feu et contactez le concessionnaire pour lui faire remplacer la vitre.
- Ne claquez pas la porte et ne heurtez pas la vitre. Avant de fermer la porte, assurez-vous qu'elle ne frappera pas un bûcheou tout autre objet.
- Ne nettoyez pas la vitre avec un produit qui pourrait l'égratigner ou l'endommager de quelque façon. Une égratignure peut donner lieu à une fêlure ou à une brisure.
- Ne tentez pas de nettoyer la vitre quand l'appareil est chaud. Si le dépôt n'est pas trop épais, un nettoyant à vitre ordinaire appliqué au moyen d'un linge non abrasif devrait suffire. Autrement, utilisez un nettoyant pour le four.
- Ne jamais mettre dans l'appareil une substance qui pourrait faire l'objet d'une combustion explosive. En espace clos, même de petites détonations peuvent faire éclater la vitre.
- Cet appareil est muni d'un système d'autonettoyage qui réduit les dépôts sur la vitre.

Si vous devez remplacer la vitre, utilisez une vitrocéramique "Robax" de même dimension et épaisseur.

Remplacement d'un joint

Après un usage intensif, le matériau des joints de la porte et de la vitre peut devoir être remplacé s'il a perdu son élasticité. Vérifiez périodiquement l'étanchéité de la vitre et de la porte; un joint écorché ou usé doit être remplacé immédiatement. Vérifiez auprès de votre détaillant pour des pièces de remplacement approuvées.

On remplace un joint de vitre comme suit:

- Assurez-vous que l'appareil est bien refroidi.
- Enlevez les vis et la bordure de fixation (voir schéma des pièces).
- Retirez la vitre.
- Enlevez le vieux joint et nettoyez la vitre.
- Installez le joint neuf en commençant par le bas et en suivant les bords. Assurez-vous que la gorge du joint s'ajuste bien sur la vitre.
- Coupez à la longueur voulue et abotez soigneusement les extrémités.
- Remettez la vitre en place en vous assurant de ne pas trop serrer les vis de la bordure de fixation.

On remplace un joint de porte comme suit:

- Assurez-vous que l'appareil est bien refroidi.

2. Enlevez le vieux joint et nettoyez la rainure.
3. Appliquez dans la rainure une mince couche de colle à joint pour hautes températures.
4. A partir du côté des chamières, insérez le joint dans la rainure tout autour de la porte, coupez à la longueur voulue et aboutez soigneusement les extrémités.
5. Fermez la porte et laissez sécher la colle durant trois à quatre heures avant d'utiliser l'appareil.

Créosote

Lorsque le bois brûle lentement, il produit des vapeurs de goudron et d'autres matières organiques. Ces vapeurs se combinent à l'humidité pour former de la créosote. Les vapeurs de créosote se condensent dans la cheminée relativement moins chaude d'un feu qui brûle lentement. Il en résulte une accumulation de créosote sur la paroi intérieure de la cheminée. Si elle s'enflamme, la créosote produit un feu intense. Inspectez la cheminée régulièrement pendant la saison du chauffage pour déterminer s'il y a accumulation de créosote. Le dépôt de créosote doit être éliminé pour prévenir un feu de cheminée.

Avertissement : À retenir en cas de feu de cheminée : 1. Fermez le volet d'admission d'air 2. Appelez les pompiers

Comment prévenir l'accumulation de créosote

1. Plusieurs fois par jour durant la saison de chauffage, ouvrez le volet d'admission d'air pendant plusieurs minutes; mais ne laissez pas surchauffer l'appareil. Vous éliminerez ainsi le léger film de créosote accumulé dans les périodes de combustion lente.
2. Chaque fois que vous ajoutez du bois, gardez le volet d'admission d'air grand ouvert pendant plusieurs minutes. Ceci permet au bois de se transformer plus rapidement en charbon de bois et de brûler les vapeurs qui, autrement, causeraient un dépôt de créosote dans le système.

3. NE BRÛLEZ QUE DU BOIS SEC. Évitez le bois vert. Le bois sec doit avoir séché pendant au moins un an.
4. Un petit feu est préférable à un gros feu qui couve et cause une accumulation de créosote dans le système.
5. Développez des automatismes concernant le bois, l'appareil de chauffage au bois et la méthode d'allumage. Vérifiez la présence de créosote chaque jour jusqu'à ce que vous ayez déterminé à quel intervalle il est nécessaire de nettoyer le conduit d'évacuation et la cheminée. Notez que plus le feu est intense, moins la créosote se dépose.

Un nettoyage hebdomadaire peut être requis en période de temps doux alors que le nettoyage mensuel peut suffire par temps froid. Contactez le service de prévention des incendies de votre localité pour vous renseigner sur la façon de combattre un feu de cheminée. Préparez-vous un plan d'action pour combattre un tel feu.

Élimination de la cendre

L'appareil est muni d'une tablette sur le devant pour faciliter l'enlèvement de la cendre. En usage continu de l'appareil, la cendre doit être enlevée à intervalle quand elle atteint une épaisseur de 75 à 103 mm (3 à 4 po) dans la chambre de combustion. N'enlevez les cendres que lorsque le feu s'est éteint et que les cendres se sont refroidies. Même alors, on peut s'attendre à y trouver des tisons chauds.

La cendre doit être déposée dans un contenant en métal à couvercle bien ajusté. Le contenant à cendres devrait être placé sur un plancher non combustible, bien à distance de tout matériau combustible, en attendant l'élimination finale. Si la cendre doit être enfouie dans le sol ou dispersée en surface, elle doit d'abord rester dans son contenant jusqu'à ce qu'elle soit complètement refroidie. Aucun autre rebut ne doit être mis dans le contenant.

IMPORTANT

Conseils qui valent la peine d'être répétés

1. Quelle est la bonne manière d'allumer un feu?

- a. Réunissez le petit bois d'allumage et le papier. N'utilisez que des journaux ou du papier qui n'a pas été enduit ou sur lequel on a collé ou appliqué des matières inconnues. N'utilisez jamais de papier enduit (comme les feuillets publicitaires) ou de papier de couleur.
- b. Ouvrez la porte de votre poêle à bois.
- c. Chiffonnez plusieurs morceaux de papier et placez-les au centre de la chambre de combustion et directement sur la brique réfractaire du poêle à bois. N'utilisez jamais de grille pour soulever le feu.
- d. Placez le petit bois d'allumage sur le papier pour faire une forme de tente. Cela permet une bonne circulation d'air, ce qui est essentiel pour avoir une bonne combustion.
- e. Allumez le papier chiffonné à deux ou trois endroits. Remarque : IL est important de réchauffer l'air dans le tuyau de la cheminée pour amorcer le tirage.
- f. Ouvrez au maximum la commande d'admission d'air du poêle à bois et fermez la porte jusqu'à ce qu'elle ne soit entrouverte pour laisser entrer tout l'air nécessaire dans la chambre de combustion. Ne laissez jamais la porte complètement ouverte; des étincelles pourraient provenir de l'allumeur, causant ainsi des blessures corporelles ou des dommages à la propriété. N'AJOUTEZ PAS d'autre papier une fois que le feu est allumé.
- g. Une fois que le petit bois est en feu, ajoutez de petites bûches à ce moment-ci ne ferait qu'éteindre le feu. Continuez d'ajouter de petites bûches de bois sec et tenez la porte entrouverte jusqu'à ce que chaque bûche soit en feu. Lorsque vous devez ouvrir la porte du poêle pour re-alimenter le feu en bois, ouvrez la porte lentement.
- h. Une fois que le bois est en feu et qu'il y a moins de fumée, fermez complètement la porte du poêle à bois. La réduction de la quantité de fumée est une bonne indication que le tirage de la cheminée a commencé et qu'une bonne combustion est maintenant possible. Vous pouvez commencer à ajouter de grosses bûches de bois sec lorsqu'il y a suffisamment d'espace dans la chambre à combustion. Réglez la commande d'admission d'air à la position désirée.
- i. Remarque : Plus la commande d'admission d'air est réglée à un niveau bas, plus la combustion de votre bois durera longtemps.

2. Quel est le meilleur type de bois qu'on peut utiliser dans le poêle?

Vous devriez utiliser du bois dur sec. Évitez d'utiliser du bois vert. En plus de donner un rendement d'à peine 60 pour cent de la valeur en combustible du bois sec, le bois vert laisse des dépôts de créosote à l'intérieur de votre poêle et de la cheminée.

3. Qu'entend-on par bois sec et que considère-t-on comme du bois dur?

Par bois sec, on entend du bois qui a séché pendant un an à un endroit bien ventilé et abrité. Les bois durs proviennent habituellement d'arbres dont la croissance est plus lente (par exemple, le chêne et le sapin). Par bois mou, on entend habituellement les arbres qui poussent rapidement (par exemple : le pin et l'épinette).

4. Est-ce qu'on obtiendra des résultats parfaits chaque fois qu'on utilise les étapes ci-dessus pour allumer un feu?

La réponse facile est la suivante : la plupart du temps. Plusieurs variables peuvent influencer sur le taux de succès lorsque vous allumez un feu. L'expérience vous apprendra comment traiter ces différentes variables. Vous deviendrez de plus en plus capables d'allumer vos feux à force d'y consacrer temps et patience. La prochaine section de ce manuel porte sur les raisons pour lesquelles vous n'obtenez pas un bon rendement de votre poêle.

5. Pourquoi ai-je de la difficulté à allumer mon feu?

Le bois humide ou trempé et un mauvais tirage sont les principales raisons pour lesquelles vous avez du mal à allumer vos feux. Utilisez toujours du bois sec pour vos feux. Même s'il a séché pendant deux ans, votre bois sera difficile à allumer s'il est trempé.

6. Pourquoi y a-t-il toujours une épaisse fumée noire dans la chambre à combustion?

Si vous constatez la présence d'une abondante quantité de fumée noire dans la chambre à combustion, vous saurez que la qualité de votre tirage laisse à désirer.

7. Est-il normal que le vitrage du poêle se couvre d'une pellicule de suie lorsque j'allume mon feu?

Votre poêle comporte un système de lavage à l'air qui aide le vitrage à rester clair lorsque la chambre de combustion atteint une bonne température d'utilisation et que de bonne qualité. Une chambre de combustion froide et un mauvais tirage provoqueront des dépôts de suie sur le verre. Une fois que la température de la chambre à combustion et le tirage augmentent, la suie brûlera.

8. Qu'entend-on par tirage?

Le tirage peut être exprimé comme étant la capacité de la cheminée à évacuer les sous-produits de toute combustion normale.

9. Pourquoi a-t-on un mauvais tirage?

Les facteurs les plus courants d'un mauvais tirage sont:

- a. La pression atmosphérique et l'alimentation en air
- b. Les conditions environnementales
- c. Une température froide dans la cheminée, la pression
- d. Une mauvaise installation et un mauvais entretien de la cheminée

a. Pression atmosphérique et alimentation en air

La pression atmosphérique influant sur le tirage de la cheminée peut provenir de l'intérieur ou de l'extérieur de la maison ou des deux. À l'extérieur de la maison, une journée où la pression est élevée (ciel clair et temps froid) facilite habituellement le tirage de la cheminée par rapport à une journée où la pression est basse (ciel couvert et journée humide). À l'intérieur de la maison, les appareils électroménagers normaux, comme la sècheuse et la fournaise à combustion d'air rivalisent pour s'approprier l'air disponible, si bien que les quantités d'air ne sont pas suffisantes pour alimenter le feu. Ces appareils provoquent une pression négative. Lorsque cette pression négative est très considérable, les sous-produits de la combustion peuvent refouler de la cheminée vers la maison. On parle alors de refoulement de tirage ou de tirage négatif.

Plusieurs facteurs ont une incidence sur la quantité d'air disponible dans la maison. La quantité d'isolant, les fenêtres en vinyle, le mastic d'étanchéité mis en place à différents endroits et les joints étanches des portes sont autant de moyens permettant de conserver la chaleur dans les maisons; mais en même temps, tous ces facteurs peuvent rendre les maisons trop étanches. Si vous demandez s'il y a suffisamment d'air dans votre maison pour alimenter votre poêle, évitez d'utiliser les appareils qui consomment de l'air, si c'est possible, et ouvrez une fenêtre ou une porte pour laisser entrer l'air dans la maison.

b. Conditions environnementales

Les grands arbres, les dépressions, comme une vallée, les grands édifices ou structures adjacents à votre maison et l'intensité du vent sont autant de facteurs qui peuvent influencer sur la qualité du tirage et le refoulement de votre cheminée.

c. Températures froides dans la cheminée

Conservez un feu vif pendant les quinze à quarante premières minutes, sans exagérer. Si une partie de la cheminée ou du poêle commencent à rougir, votre feu est trop vif. Lorsque c'est possible, installez un thermomètre sur la cheminée de sorte que vous pourrez constater toute chute de la température dans la cheminée.

d. Installation et entretien de la cheminée

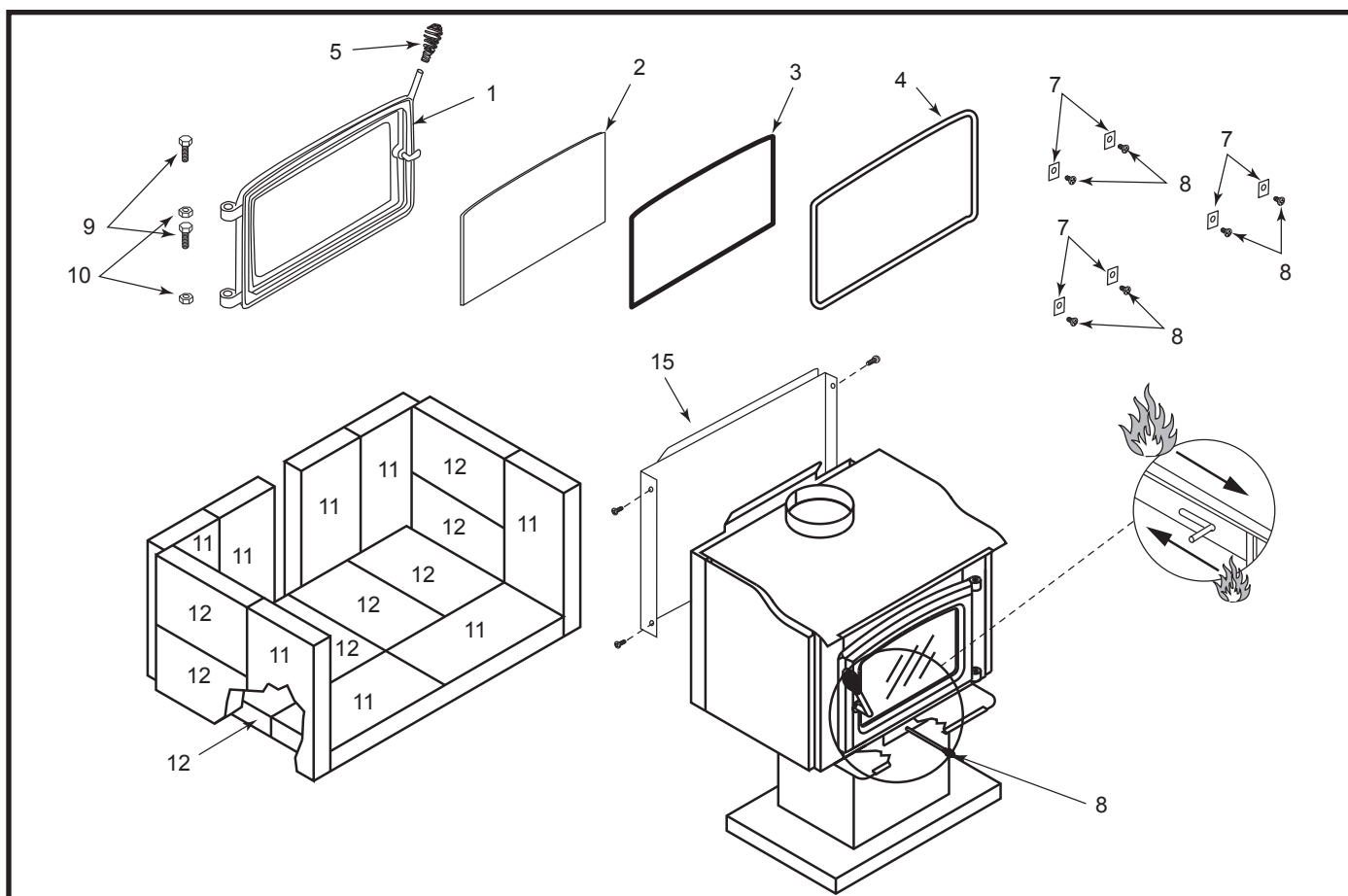
Réduisez le plus possible le nombre de coudes ou de longues trajectoires horizontales pour vos tuyaux de cheminée. Si vous avez des doutes, communiquez avec un expert en cheminées ou un fabricant de cheminées, les protecteurs contre la pluie et les pare-flammes pour éviter l'accumulation de crésote. La crésote réduit considérablement le tirage de la cheminée en plus d'être une cause possible de feux de cheminée.

10. Dois-je fermer ou ouvrir la commande d'admission d'air au complet lorsque je ferme le poêle?

Lorsque vous fermez le poêle, ouvrez la commande d'admission d'air au complet. Cela permet à la température de la cheminée de rester aussi élevée que possible et le plus longtemps possible. Lorsque la température de la cheminée baisse, il risque de se former de la crésote dans la cheminée.

Remarque : Cette feuille se veut une aide et elle ne remplace pas les exigences des administrations locales, provinciales ou d'état. Vérifiez avec les représentants et les autorités ayant juridiction dans votre secteur.

Avertissement relatif à la proposition 65 : Les combustibles utilisés dans les appareils de chauffage au gaz, au bois ou au mazout, ainsi que les produits de combustion de ces combustibles, contiennent des produits chimiques que l'état de la Californie considère comme cancérigènes et responsables d'anomalies congénitales et d'autres pathologies du système reproductif.
California Health & Safety Code Sec. 25249.6



MHSC se réserve le droit de faire des changements en ce qui concerne la conception, les matériaux, les spécifications et les prix et de discontinuer des couleurs et des produits à tout moment sans préavis.

Poêle à bois WR247001

No.	Description	Qtée.	No. de pc
1.	Porte Montée	1	S12053G
2 & 3.	Vitre de joint d'étanchéité	1	S311117
3.	Joint de la vitre 1/8 po	4.0 pi	S15001
4.	Joint de la porte 5/8 po	4.5 pi	S15011
5.	Poignée à ressort	1	90000069
6.	Poignée pour l'admission d'air	1	90000070
7.	Ferrure pour la vitre	6	S37018
8.	Vis	6	S11086
9.	Hinge Pin	2	S11005
10.	Push Nut	2	S11090
11.	Brique 9" x 4 ⁷ / ₁₆ " x 1 ¹ / ₄ "	10	S16040
12.	Brique 6 ¹ / ₂ " x 4 ⁷ / ₁₆ " x 1 ¹ / ₄ "	1	S16249
13.	Bavette du poêle	1	S25078
14.	Vis (bavette)	2	S11463

Garantie de cinq ans

MHSC garantit votre nouveau poêle à bois ou insert en bois et en maçonnerie contre tout défaut de fabrication et de matériel pour une période de cinq ans à partir de la date de vente, sous réserve des conditions et restrictions suivantes.

1. La présente garantie s'applique au propriétaire d'origine uniquement, pour usage résidentiel, sous réserve d'une preuve d'achat.
2. Le nouveau produit de MHSC doit être monté et en état de marche à tout moment, conformément aux directives d'installation et de fonctionnement fournies avec l'appareil; l'installation doit également être en conformité avec les codes locaux et nationaux. Toute modification, tout abus intentionnel, accident, surchauffe ou mauvais usage ne sera pas couvert par la garantie. Nota : Il est normal que surviennent des déplacements mineurs de certaines pièces : cela ne constitue pas une défectuosité. Par conséquent, un tel phénomène ne sera pas couvert par la garantie.
3. Le garantien'est pas transférable et s'applique au propriétaire d'origine, pourvu que l'achat ait été effectué chez un fournisseur autorisé MHSC. Le numéro de série doit être fourni avec le contrat de vente indiquant la date de l'achat, au moment où la demande est présentée.
4. La présente garantie est applicable uniquement pour la réparation ou le remplacement de pièces jugées défectueuses en termes de matériel ou de constructions, à condition que de telles pièces aient été soumises à des conditions normales d'utilisation et d'entretien, et après que la défectuosité en question ait été confirmée par MHSC ou par l'inspection d'un représentant autorisé. Les pièces défectueuses doivent être renvoyées au fabricant (à la discrétion de MHSC) port prépayé. MHSC émettra des crédits des réception du produit défectueux retourné.
5. MHSC peut, à sa discrétion, se libérer entièrement de toute obligation à l'égard de la présente garantie en remboursant le prix de gros de la pièce (des pièces) défectueuse(s).
6. Tous frais d'installation, de main-d'œuvre, de constructions, de transport ou autres frais ou dépenses afférents découlant de pièces défectueuses, d'une réparation, d'un remplacement ou autre raison connexe ne seront pas couverts par la présente garantie et MHSC n'assumera aucune responsabilité pour de tels frais. De plus, MHSC ne sera tenu responsable d'aucun dommage consécutif ou indirect, à l'exception de ce qui est prévu par la loi et les frais ne devront en aucun cas dépasser le prix d'achat d'origine.
7. Toutes les autres garanties - expresses ou implicites - relatives au produit, à ses composants et accessoires ou à toute obligation ou responsabilité de la part de MHSC sont, par la présente, expressément exclues.
8. MHSC n'assume aucune responsabilité relativement à l'achat de ce produit et n'autorise aucun tiers à assumer de telles responsabilités en son nom.
9. Les garanties décrites dans le présent document ne s'appliquent pas aux composantes de cheminées ou à d'autres produits faits par d'autres fabricants lorsque ces derniers sont utilisés corrélativement à l'installation de ce produit.
Une utilisation inadéquate ou l'utilisation de composantes non approuvées rendra cette garantie nulle. En cas de doute, communiquez avec votre fournisseur autorisé MHSC le plus proche ou avec le service à la clientèle de MHSC.)
10. MHSC n'est pas responsable :
 - des courants d'air descendants ou des déversements causés par des facteurs environnementaux tels que les arbres à proximité, les édifices, les toits, les collines, les montagnes ou une conception de cheminée inadéquate.
 - de la ventilation inadéquate, des dévolements excessifs, ou de la pression d'air négative causés par des systèmes mécaniques tels que les foyers, les sècheuses, les ventilateurs, etc.

11. Cette garantie est nulle si :

- l'appareil a été mis en marche dans des atmosphères contaminées par le chlore, le fluor et d'autres produits chimiques nuisibles.
- l'appareil a été exposé à l'humidité ou à la condensation pendant de longues périodes de temps.
- l'appareil a subi des dommages causés par l'eau ou par les conditions atmosphériques résultant d'une installation inadéquate de la cheminée ou du système de ventilation.
- l'appareil a subi des abus délibérés ou accidentels ou a été utilisé de façon inadéquate.
- du bois flotté corrosif, des billots fabriqués ou des combustibles autres que ceux qui sont indiqués dans les directives d'installation et de fonctionnement sont utilisés.
- l'appareil n'est pas maintenu en bon état, y compris les briques réfractaires et les joints d'étanchéité.

Portes contenant du verre et des parties plaquées

Le verre est garanti contre le bris thermique seulement. Pour nettoyer le verre, utiliser un nettoyeur ou un produit à polir pour le verre et la céramique. Ne pas utiliser de nettoyeurs à base d'ammoniaque. Un nettoyeur approprié est disponible par l'entremise du détaillant Hearth Products le plus proche de chez vous. **NE PAS NETTOYER LE VERRE LORSQU'IL EST CHAUD ET NE PAS UTILISER DE NETTOYANTS ABRASIFS.**

Les parties plaquées ne seront pas couvertes en vertu de la présente garantie. Les parties plaquées doivent être nettoyées avec de l'eau tiède et du savon, et séchées immédiatement. Les parties plaquées peuvent également être endommagées par des produits chimiques externes. Les parties plaquées ne sont pas couvertes en vertu de la présente garantie. Les surfaces plaquées doivent être nettoyées au moyen d'alcool dénaturé seulement et en les frottant doucement au moyen d'un chiffon non peiucheux et non abrasif. Un frottement ou un polissage excessifs peuvent également enlever la fini plaqué.

La décoloration de certaines parties est normale et ne constitue pas un défaut; elle n'est donc pas couverte par la garantie.

Exclusions supplémentaires

Cette garantie n'inclut pas ou ne comprendra pas la peinture, les joints d'étanchéité, ou les composantes de briques réfractaires et ne couvrira aucune composante amovible de foyer tel que les dispositifs d'arrêt des briques ou les tubes d'air inoxydable.

Composantes électriques

La garantie MHSC s'applique aux composantes électriques (ex : les souffleurs, les commandes de vitesse) pour une période d'un (1) an uniquement.

Si le service de garantie est requis

Communiquez avec le service à la clientèle MHSC. Assurez-vous d'avoir votre requête de vente ainsi que le numéro de modèle et de série de votre produit MHSC.

N'essayez pas d'effectuer vous-même le travail d'entretien, à moins d'avoir obtenu une autorisation préalable par écrit de MHSC. Cela annulera la garantie.

MHSC doit autoriser les réparations et fournir un numéro de réclamation au litre de la garantie avant d'effectuer des réparations liées à la garantie. Sans numéro d'autorisation, tout travail de réparation ne sera pas jugé comme entrant dans le cadre de la garantie.

NOTA : Certains états et provinces ne permettent pas qu'il y ait des exclusions ou des restrictions relatives aux dommages consécutifs ou indirects. Les restrictions indiquées ci-dessus peuvent ne pas s'appliquer à vous.

MHSC
149 Cleveland Drive
Paris, KY 40361

Conservez cette garantie

No de série _____

No de modèle _____

Date d'achat _____

MHSC

149 Cleveland Drive • Paris, Kentucky 40361
www.mhsc.com