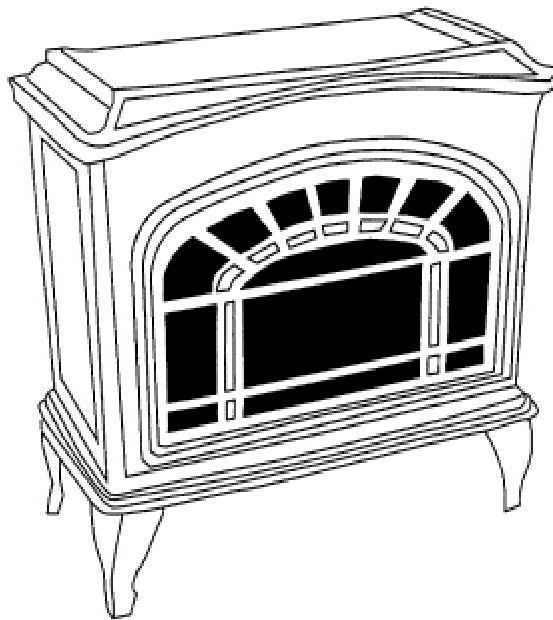


PRACTICAL USER'S GUIDE

FOR THE LIBERTY ELECTRIC STOVE



Quality checked by:



Approved for use in
the United States and Canada



20802 Kensington Blvd.
Lakeville, MN 55044

Please contact your Hearth Technologies dealer for any questions or concerns.
For the number of your nearest Hearth Technologies dealer, please call 1-800-669-4328.

CONTENTS

- 1 IMPORTANT INSTRUCTIONS
- 2 OPERATION
- 3 STOVE INSTALLATION
- 4 MAINTENANCE
- 5 SERVICE PARTS
- 6 WARRANTY

QUICK REFERENCE GUIDE

- 1) Prior to installation, plug your unit into a convenient outlet to verify the following:
 - * Are the circuit breakers for the outlet on?
 - * Are the light bulbs in your stove loose? (to check, follow the instructions in the Maintenance Section).
- 2) The heater on your stove may emit a slight, harmless odor when first used. This odor is a normal condition caused by the initial heating of internal heater parts and will not occur again.
- 3) If your heater does not emit heat, ensure the thermostat is turned fully to the right. Consult your Practical User's Guide for further information.

IMPORTANT INSTRUCTIONS

PLEASE RETAIN THIS USER'S GUIDE
FOR FUTURE REFERENCE

When using electrical appliances, basic precautions should always be followed to reduce the risk of fire, electric shock and injury to persons, including the following:

1. Read all instructions before using this stove.
2. This stove is hot when in use. To avoid burns, do not let bare skin touch hot surfaces. The grill at the bottom of the stove becomes hot during heater operation. Keep combustible materials, such as furniture, pillows, bedding, papers, cloths and curtains at least 3 feet (.9m) from the front of the unit.
3. Extreme caution is necessary when any heater is used by or near children or invalids and whenever the stove is left operating and unattended.
4. Always unplug the stove when not in use.
5. Do not operate this stove with a damaged cord or plug, or if the heater has malfunctioned, or if the stove has been dropped or damaged in any manner. Return the stove to an authorized service facility for examination, electrical or mechanical adjustment or repair.
6. Do not use outdoors.
7. This stove is not intended for use in bathrooms, laundry areas and similar indoor locations. Never locate this stove where it may fall into a bathtub or other water container.
8. Do not install the stove on a surface which may restrict air circulation beneath the unit.
9. Do not run cord under carpeting. Do not cover cord with throw rugs, runners or the like. Arrange cord away from traffic area and where it will not be tripped over.
10. To disconnect the stove turn controls to off, then remove plug from outlet.
11. Do not insert or allow foreign objects to enter any ventilation or exhaust opening as this may cause an electrical shock or fire or damage the heater.
12. To prevent a possible fire, do not block air intake or exhaust in any manner. Do not use on soft surfaces, like a bed, where openings may become blocked.
13. All electrical heaters have hot and arcing or sparking parts inside. Do not use it in areas where gasoline, paint, or flammable liquids are used or stored or where the unit will be exposed to flammable vapours.
14. Do not modify this stove. Use it only as described in this manual. Any other use not recommended by the manufacturer may cause fire, electric shock or injury to persons.
15. Avoid the use of an extension cord because the extension cord may overheat and cause a risk of fire. However, if you have to use an extension cord, the cord shall be 16AWG minimum size and rated not less than 1875 watts.
16. Do not burn wood or other materials in this stove.
17. Do not strike the stove glass.
18. Always use a certified electrician should new circuits or outlets be required.
19. Always use properly grounded, fused and polarized outlets.
20. Always use ground fault protection where required by electrical code.
21. Always disconnect power before performing any cleaning, maintenance or relocation of the stove.
22. When transporting or storing the stove and cord, keep in a dry place, free from excessive vibration and store so as to avoid damage.

NOTE: Procedures and techniques that are considered important enough to emphasize.

CAUTION: Procedures and techniques which, if not carefully followed, will result in damage to the equipment.

WARNING: Procedures and techniques which, if not carefully followed, will expose the user to the risk of serious injury, illness or death.

NOTE: A 15 Amp, 120 volt circuit is required. A dedicated circuit is preferred but not essential in all cases. A dedicated circuit will be required if, after installation, the circuit breaker trips or fuse blows on a regular basis when the heater is operating. Additional appliances in the same circuit may exceed the current rating of the circuit breaker.

WARNING: Ensure the power cord is not installed so that it is pinched or against a sharp edge and ensure that the power cord is stored or secured to avoid tripping or snagging to reduce the risk of fire, electric shock or injury to persons.

Construction and Electrical Outlet wiring must comply with local building codes and other applicable regulations to reduce the risk of fire, electric shock and injury to persons.

Do not attempt to wire your own new outlets or circuits. To reduce the risk of fire, electric shock of injury to persons, always use a licensed electrician.

OPERATION

This section will explain the function of each convenient control. To access the controls, go to the back of the stove.

Main On/Off Switch

The On/Off switch supplies power to all stove functions (Heater/Flame). The main power indicator light will illuminate, confirming the unit is turned on.

Display Light Dimmer

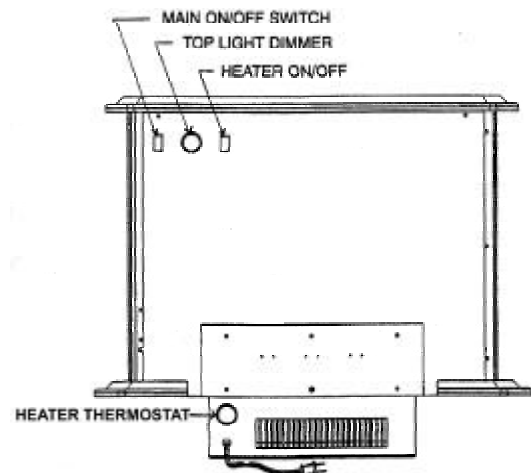
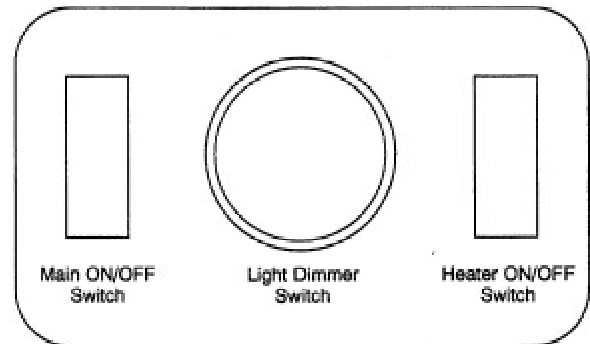
Controls the light intensity of the log bed display area. Rotate knob to choose desired setting.

Heater On/Off Switch

The heater On/Off switch supplies power to the heater.

Heater Thermostat Control (located lower back of stove adjacent to cord)

To adjust the temperature to your individual requirements, turn the thermostat control clockwise all the way to turn on the heater. When the room reaches the desired temperature, turn the thermostat knob counter clockwise until you hear a click. Leave in this position to maintain the room temperature at this setting. For additional heat, turn clockwise until you hear the click again and the heater will turn on.



RESETTING THE TEMPERATURE CUTOFF SWITCH

This unit is equipped with a thermostat which controls the temperature of the room. It does this by turning the heater on and off. The heater is protected with a safety device to prevent overheating. Should the heater overheat, an automatic cut out will turn the heater off and it will not come back on without being reset. Ensure nothing is blocking the intake or exhaust of the heater. To reset the cut off, switch the main ON/OFF SWITCH to OFF and wait 5 minutes before switching the unit back on.

CAUTION: If you need to continuously reset the heater, unplug the unit and call your local dealer.

STOVE INSTALLATION

Make sure the unit switch is OFF (Refer to the operation section for more detail.)

Plug the stove into a 15Amp/120 volt outlet. If the cord does not reach, you may use an extension cord rated for a minimum of 1875 watts.

MAINTENANCE

WARNING: DISCONNECT POWER BEFORE ATTEMPTING ANY MAINTENANCE OR CLEANING TO REDUCE THE RISK OF FIRE, ELECTRIC SHOCK OR DAMAGE TO PERSONS.

Light Bulb Replacement

Allow at least 10 minutes for light bulbs to cool off before touching bulbs to avoid accidental burning of skin. Light bulbs need to be replaced when you notice a dark section of the flame or when the clarity and detail of the log exterior disappears. There is one bulb at the top of the log bed display area which illuminates the log set exterior and three bulbs at the back of the unit which generate the flames and embers.

Tool Requirements: Slot Screw Driver

Helpful Hints: It is a good idea to replace all light bulbs at one time if they are a close to the end of their rated life. Group replacement will reduce the number of times you need to open the unit to replace light bulbs.

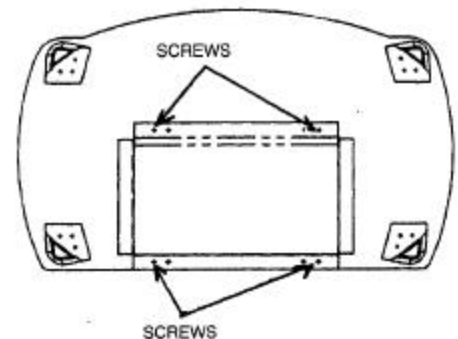
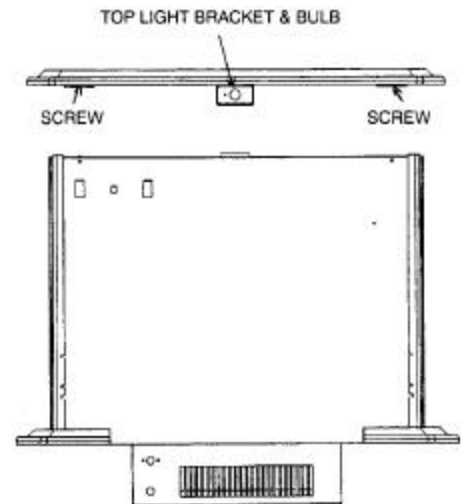
To Replace Upper Bulb: Remove 2 screws at upper corners of back panel. Lift back end of top to clear brackets and carefully pull back. Lift top carefully, enough to access bulb without straining wires running to socket. Remove burned out bulb by pushing in and turning counter-clockwise. Replace with new bulb as specified below and reverse steps to replace top.

**Upper Bulb - 1156 Incandescent Automotive Bulb
12 Volt, 25 Watt**

CAUTION- DO NOT EXCEED 25 WATTS PER BULB

To Replace Lower Bulbs: Gently tip unit onto its back. Remove 4 screws and place housing on floor. Remove burned out bulb(s) by pulling straight out of socket. Jiggle slightly if necessary. Replace with new bulb(s) as specified below and replace heater housing. Pull socket back to insert new bulbs.

**Lower Bulbs- Halogen Quartz Lamp 12 volt, 35 watts per bulb
CAUTION- DO NOT EXCEED 35 WATTS PER BULB**



GLASS CLEANING

The glass is cleaned in the factory during the assembly operation. During shipment, installation, handling, ect., the glass surface may collect dust particles; these can be removed by buffing lightly with a clean dry cloth.

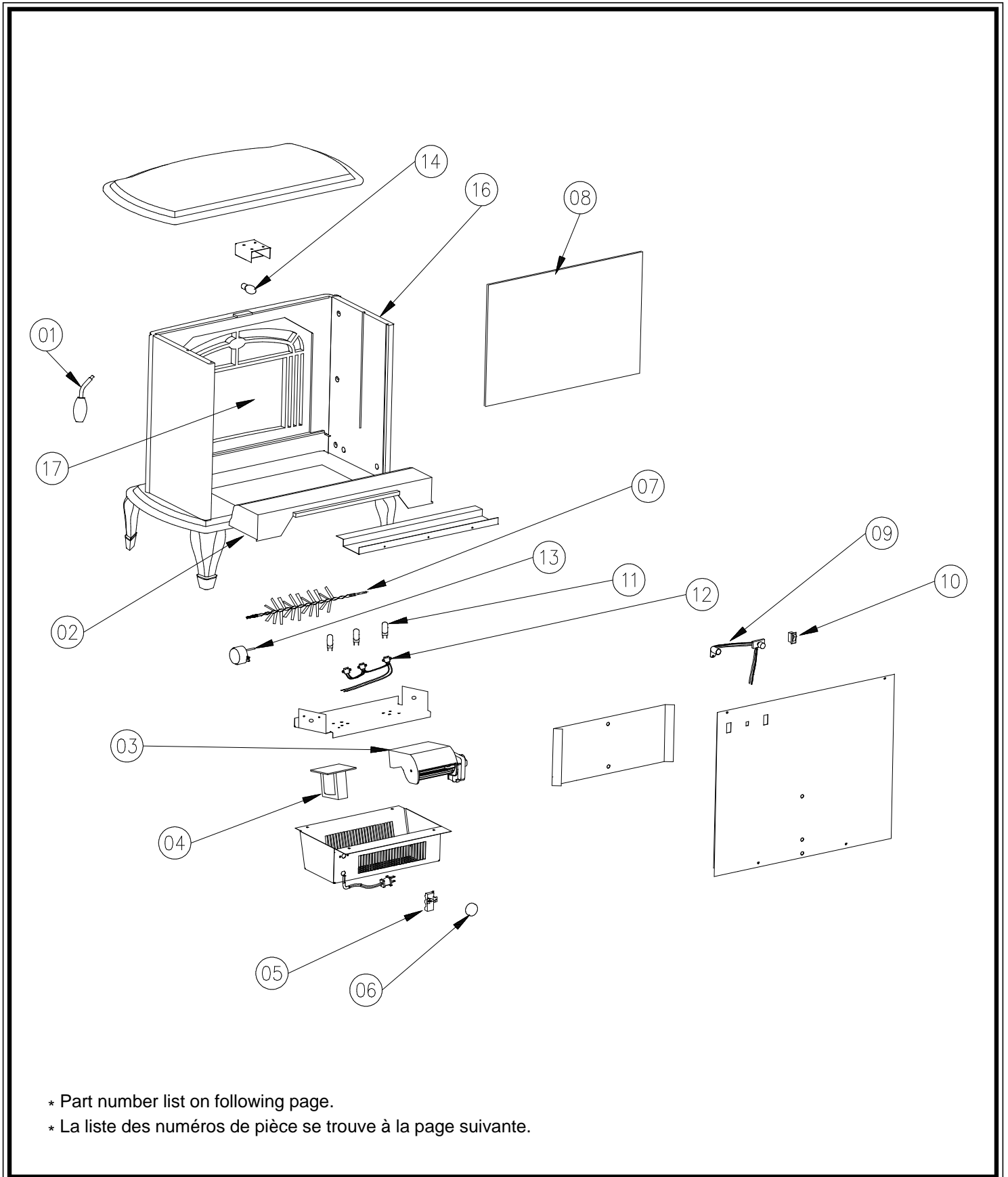
To remove fingerprints or other marks, the glass can be cleaned with a damp cloth using a good quality household glass cleaner. The glass should be completely dried with a lint free cloth or paper towel.

CAUTION: DO NOT USE ABRASIVE CLEANERS ON GLASS SURFACE OR SPRAY LIQUIDS DIRECTLY ONTO ANY SURFACE.

ACCESSORIES

An optional remote control is available from your dealer.

LIBERTY ELECTRIC STOVE Exploded Parts Diagram / Vue des pièces



Liberty Electric Stove Service Parts List

IMPORTANT: THIS IS DATED INFORMATION. The most current information is located on your dealers VIP site. When ordering, supply serial and model numbers to ensure correct service parts. / **IMPORTANT :** L'information fournie dans cette brochure n'est valide que pendant une courte période. Les sites VIP des distributeurs disposent des renseignements les plus récents. Lors d'une commande, veuillez fournir les numéros de série et de modèles pour un remplacement adéquat des pièces.

ITEM	REPLACEMENT PART	PART NUMBER
1.	HANDLE	6900520100RP
2.	LOG SET	0438200200RP
3.	HEATER/BLOWER ASSEMBLY	2000170200RP
4.	TRANSFORMER	2100160100RP
5.	THERMOSTAT	2300150100RP
6.	THERMOSTAT KNOB	8800000300RP
7.	REFLECTOR	5900080600RP
8.	MIRROR	5900060600RP
9.	UPPER LIGHT HARNESS/DIMMER	2500120100RP
10.	ROCKER SWITCH	2800070200RP
11.	SPOT LAMPS	4200080100RP
12.	LIGHT SOCKET	2500110100RP
13.	REFLECTOR MOTOR	2000140300RP
14.	UPPER LIGHT BULB	4200070100RP
14(A).	CORD SET	4100040300RP
16.	BLACK LEFT SIDE	1103270159RP
	BLACK RIGHT SIDE	1103270259RP
	GREEN LEFT SIDE	1103270180RP
	GREEN RIGHT SIDE	1103270280RP
	CREAM LEFT SIDE	1103270181RP
	CREAM RIGHT SIDE	1103270281RP
17.	FRONT GLASS	5900110200RP



WARRANTY

Liberty Electric Stoves are tested and inspected prior to shipment and are guaranteed from defect to the purchaser of each new product. Any part which proves to be defective in material or workmanship under normal use within one year from date of purchase will be repaired or replaced without charge.* The company will not be responsible for any expense incurred for installation, removal from service or transportation costs. Any such defect should be brought to the attention of the dealer where the product was purchased and is authorized to repair or replace within the terms of this warranty.

The company's only obligation under this warranty will be at its sole option to repair or replace any part proving defective or to refund the purchase price thereof. The owner/user assumes all other risks, if any, including the risk of any direct, indirect or consequential loss or damage arising out of the use of or inability to use, the product.

The warranty will not apply if, in the sole judgment of the Company, damage or failure has resulted from accident, alteration, misuse, abuse, incorrect installation or operation on an incorrect power source.

The forgoing is in lieu of all other warranties expressed, implied or statutory, and the company neither assumes, nor authorizes any person to assume for it any other obligation or liability in connection with said product.

* Light bulbs are not covered in the warranty.