

Installation Manual

Installation and Appliance Setup

INSTALLER: Leave this manual with party responsible for use and operation.
OWNER: Retain this manual for future reference.

NOTICE: DO NOT discard this manual!

HEAT & GLO

No one builds a better fire

Models:

SL-3X

SL-5X

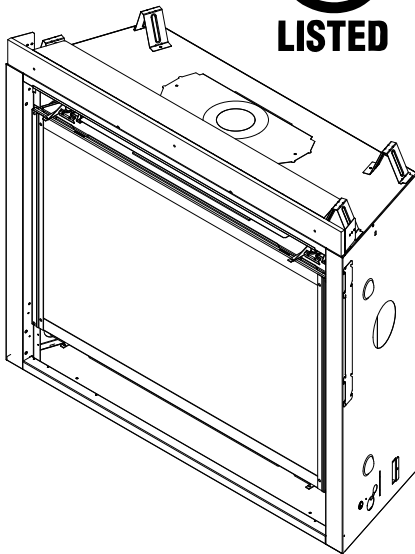
SL-5XLP

SL-7X

SL-7XLP

SL-9X

GAS-FIRED



This appliance may be installed as an OEM installation in manufactured home (USA only) or mobile home and must be installed in accordance with the manufacturer's instructions and the *Manufactured Home Construction and Safety Standard, Title 24 CFR, Part 3280* in the United States, or the *Standard for Installation in Mobile Homes, CAN/CSA Z240 MH Series*, in Canada.

This appliance is only for use with the type(s) of gas indicated on the rating plate. This appliance is not convertible for use with other gases, unless a certified kit is used.

In the Commonwealth of Massachusetts installation must be performed by a licensed plumber or gas fitter.

See Table of Contents for location of additional Commonwealth of Massachusetts requirements.

⚠ WARNING:

FIRE OR EXPLOSION HAZARD

Failure to follow safety warnings exactly could result in serious injury, death, or property damage.

- **DO NOT** store or use gasoline or other flammable vapors and liquids in the vicinity of this or any other appliance.
- **What to do if you smell gas**
 - **DO NOT** try to light any appliance.
 - **DO NOT** touch any electrical switch. **DO NOT** use any phone in your building.
 - Leave the building immediately.
 - Immediately call your gas supplier from a neighbor's phone. Follow the gas supplier's instructions.
 - If you cannot reach your gas supplier, call the fire department.
- Installation and service must be performed by a qualified installer, service agency, or the gas supplier.

! DANGER



HOT GLASS WILL CAUSE BURNS.

DO NOT TOUCH GLASS UNTIL COOLED.

NEVER ALLOW CHILDREN TO TOUCH GLASS.

A barrier designed to reduce the risk of burns from the hot viewing glass is provided with this appliance and shall be installed for the protection of children and other at-risk individuals.

Pour demander un exemplaire en français de ce Manuel du propriétaire, visitez www.heatnglo.com/translations.

▲ Safety Alert Key:

- **DANGER!** Indicates a hazardous situation which, if not avoided will result in death or serious injury.
- **WARNING!** Indicates a hazardous situation which, if not avoided could result in death or serious injury.
- **CAUTION!** Indicates a hazardous situation which, if not avoided, could result in minor or moderate injury.
- **NOTICE:** Used to address practices not related to personal injury.

Table of Contents

| | | | |
|---|----|---|----|
| Installation Standard Work Checklist | 3 | 7 Venting and Chimneys | |
| 1 Product Specific and Important Safety Information | | A. Assemble Vent Sections | 41 |
| A. Appliance Certification | 4 | B. Assemble Slip Sections | 42 |
| B. Glass Specifications | 4 | C. Secure the Vent Sections | 43 |
| C. BTU Specifications | 4 | D. Disassemble Vent Sections | 43 |
| D. High Altitude Installations | 4 | E. Vertical Termination Requirements | 44 |
| E. Non-Combustible Materials Specification | 4 | F. Horizontal Termination Requirements | 45 |
| F. Combustible Materials Specification | 4 | 8 Electrical Information | |
| G. Electrical Codes | 4 | A. General Information | 47 |
| H. Requirements for the Commonwealth of Massachusetts | 5 | 9 Gas Information | |
| 2 Getting Started | | A. Fuel Conversion | 49 |
| A. Design and Installation Considerations | 6 | B. Gas Pressure | 49 |
| B. Good Faith Wall Surface/TV Guidelines | 6 | C. Gas Connection | 49 |
| C. Tools and Supplies Needed | 6 | D. High Altitude Installations | 49 |
| D. Inspect Appliance and Components | 7 | E. Air Shutter Setting | 50 |
| 3 Framing and Clearances | | F. Burner Identification/Verification | 51 |
| A. Appliance/Decorative Front Dimension Diagrams | 8 | 10 Finishing | |
| B. Clearances to Combustibles | 12 | A. Facing Material | 52 |
| C. Constructing the Appliance Chase | 14 | B. Mantel and Wall Projections | 53 |
| 4 Termination Location and Vent Information | | C. Decorative Front Finishing | 55 |
| A. Vent Termination Minimum Clearances | 15 | 11 Appliance Setup | |
| → B. Chimney Diagram | 16 | A. Remove Fixed Glass Assembly | 56 |
| C. Approved Pipe | 17 | B. Remove the Shipping Materials | 56 |
| D. Use of Elbows | 18 | C. Clean the Appliance | 56 |
| E. Measuring Standards | 19 | D. Setup Overview | 56 |
| F. Use of Flex Vent (SLP-FLEX Series 6-5/8 Inch) | 19 | E. Install Hearth Components, Teco-Sil, Glowing Embers®, Refractory and Logs | 56 |
| G. Vent Diagrams | 20 | F. LED's | 62 |
| 5 Vent Clearances and Framing | | G. Install Fixed Glass Assembly | 62 |
| A. Pipe Clearances to Combustibles | 35 | H. Install Decorative Front | 62 |
| B. Wall Penetration Framing/Firestops | 36 | 12 Reference Materials | |
| C. Ceiling Firestop/Floor Penetration Framing | 37 | A. Vent Components Diagrams | 63 |
| D. Install Attic Insulation Shield | 37 | B. Accessories | 73 |
| 6 Appliance Preparation | | | |
| A. Vent Collar Preparation | 38 | | |
| B. Installing the Optional Heat-Zone® Gas Kit | 40 | | |
| C. Securing and Leveling the Appliance | 40 | | |
| D. Non-Combustible Material | 40 | | |

→ = Contains updated information.

Installation Standard Work Checklist

ATTENTION INSTALLER: Follow this Standard Work Checklist

This standard work checklist is to be used by the installer in conjunction with, not instead of, the instructions contained in this installation manual.

| | |
|--|---|
| Customer: _____ | Date Installed: _____ |
| Lot/Address: _____ | Location of Fireplace: _____ |
| | Installer: _____ |
| Model (circle one): SL-3X SL-5X SL-7X SL-9X | Dealer/Distributor Phone # _____ |
| SL-5XLP SL-7XLP | Serial #: _____ |

WARNING! Risk of Fire or Explosion! Failure to install appliance according to these instructions could lead to a fire or explosion.

| <u>Appliance Install</u> | YES | IF NO, WHY? |
|--|--------------------------|-------------|
| Verified that the chase is insulated and sealed. (Pg. 14) | <input type="checkbox"/> | _____ |
| Required non-combustible board is installed. (Pg. 40) | <input type="checkbox"/> | _____ |
| Verified clearances to combustibles. (Pg. 12-13) | <input type="checkbox"/> | _____ |
| Fireplace is plum, level, square and secured. (Pg. 40) | <input type="checkbox"/> | _____ |
| <u>Venting/Chimney Section 7 (Pg 41-46)</u> | | |
| Venting configuration complies to vent diagrams. | <input type="checkbox"/> | _____ |
| Venting installed, locked and secured in place with proper clearance. | <input type="checkbox"/> | _____ |
| Firestops installed. | <input type="checkbox"/> | _____ |
| Attic insulation shield installed. | <input type="checkbox"/> | _____ |
| Exterior wall/Roof flashing installed and sealed. | <input type="checkbox"/> | _____ |
| Terminations installed and sealed. | <input type="checkbox"/> | _____ |
| <u>Electrical Section 8 (Pg 47-48)</u> | | |
| Unswitched power (110-120 VAC) provided to the appliance. | <input type="checkbox"/> | _____ |
| Switch wires properly installed. | <input type="checkbox"/> | _____ |
| <u>Gas Section 9 (Pg 49-51)</u> | | |
| Proper appliance for fuel type. | <input type="checkbox"/> | _____ |
| Was a conversion performed? | <input type="checkbox"/> | _____ |
| Leak check performed and inlet pressure verified. | <input type="checkbox"/> | _____ |
| Verified proper air shutter setting for installation type. | <input type="checkbox"/> | _____ |
| <u>Finishing Section 10 (Pg 52-55)</u> | | |
| Combustible materials not installed in non-combustible areas. | <input type="checkbox"/> | _____ |
| Verified all clearances meet installation manual requirements. | <input type="checkbox"/> | _____ |
| Mantels and wall projections comply with installation manual requirements. | <input type="checkbox"/> | _____ |
| <u>Appliance Setup Section 11 (Pg 56-62)</u> | | |
| All packaging and protective materials removed (inside & outside of appliance). | <input type="checkbox"/> | _____ |
| Refractories, logs, media and embers installed correctly. | <input type="checkbox"/> | _____ |
| Glass assembly installed and secured. | <input type="checkbox"/> | _____ |
| Accessories installed properly. | <input type="checkbox"/> | _____ |
| Mesh, doors, or decorative front properly installed. | <input type="checkbox"/> | _____ |
| Manual bag and all of its contents are removed from inside/under the appliance and given to party responsible for use and operation. | <input type="checkbox"/> | _____ |
| Started appliance and verified no gas leaks exist. | <input type="checkbox"/> | _____ |

Hearth & Home Technologies recommends the following:

- Photographing the installation and copying this checklist for your file.
- That this checklist remain visible at all times on the appliance until the installation is complete.

Comments: Further description of the issues, who is responsible (Installer/ Builder/ Other Trades, etc) and corrective action needed _____

Comments Communicated to party responsible _____ by _____ on _____
(Builder / Gen. Contractor/) (Installer) (Date)

➔ = Contains updated information.

1 Product Specific and Important Safety Information

A. Appliance Certification

MODELS: SL-3X, SL-5X, SL-5XLP, SL-7X,
SL-7XLP SL-9X
LABORATORY: Underwriters Laboratories, Inc. (UL)
TYPE: Direct Vent Heater
STANDARD: ANSI Z21.88-2014 • CSA 2.33-2014

This product is listed to ANSI standards for “Vented Gas Fireplace Heaters” and applicable sections of “Gas Burning Heating Appliances for Manufactured Homes and Recreational Vehicles”, and “Gas Fired Appliances for Use at High Altitudes”.

NOTICE: This installation must conform with local codes. In the absence of local codes you must comply with the National Fuel Gas Code, ANSI Z223.1-latest edition in the U.S.A. and the CAN/CGA B149 Installation Codes in Canada.

NOT INTENDED FOR USE AS A PRIMARY HEAT SOURCE.
This appliance is tested and approved as either supplemental room heat or as a decorative appliance. It should not be factored as primary heat in residential heating calculations.

B. Glass Specifications

This appliance is equipped with 5 mm ceramic glass. Replace glass only with 5 mm ceramic glass. Please contact your dealer for replacement glass.

C. BTU Specifications

| Models (U.S. or Canada) | | Maximum Input BTU/h | Minimum Input BTU/h | Orifice Size (DMS) |
|----------------------------|-------------|------------------------|---------------------------|--------------------------|
| SL-3X (NG) | (0-2000 FT) | 21,000 | 11,500 | #44 |
| SL-3X (LP) | (0-2000 FT) | 18,000 | 9,500 | #55 |
| SL-5X (NG) | (0-2000 FT) | 27,500 | 14,500 | #40 |
| SL-5X (LP) | (0-2000 FT) | 25,000 | 13,000 | #53 |
| SL-7X (NG) | (0-2000 FT) | 30,500 | 17,500 | #37 |
| SL-7X (LP) | (0-2000 FT) | 29,500 | 18,000 | #52 |
| SL-9X (NG) | (0-2000 FT) | 35,000 | 18,000 | #34 |
| SL-9X (LP) | (0-2000 FT) | 31,000 | 16,500 | #51 |

D. High Altitude Installations

NOTICE: If the heating value of the gas has been reduced, these rules do not apply. Check with your local gas utility or authorities having jurisdiction.

When installing above 2000 feet elevation:

- In the USA: Reduce input rate 4% for each 1000 feet above 2000 feet.
- In CANADA: Input ratings are certified without a reduction of input rate for elevations up to 4500 feet (1370 m) above sea level. Please consult provincial and/or local authorities having jurisdiction for installations at elevations above 4500 feet (1370 m).

Check with your local gas utility to determine proper orifice size.

E. Non-Combustible Materials Specification

Material which will not ignite and burn. Such materials are those consisting entirely of steel, iron, brick, tile, concrete, slate, glass or plasters, or any combination thereof.

Materials that are reported as passing **ASTM E 136, Standard Test Method for Behavior of Materials in a Vertical Tube Furnace at 750 °C** shall be considered non-combustible materials.

F. Combustible Materials Specification

Materials made of or surfaced with wood, compressed paper, plant fibers, plastics, or other material that can ignite and burn, whether flame proofed or not, or plastered or unplastered shall be considered combustible materials.

G. Electrical Codes

NOTICE: This appliance must be electrically wired and grounded in accordance with local codes or, in the absence of local codes, with **National Electric Code ANSI/NFPA 70-latest edition or the Canadian Electric Code CSA C22.1.**

- A 110-120 VAC circuit for this product must be protected with ground-fault circuit-interrupter protection, in compliance with the applicable electrical codes, when it is installed in locations such as in bathrooms or near sinks.

Note: The following requirements reference various Massachusetts and national codes not contained in this document.

H. Requirements for the Commonwealth of Massachusetts

For all side wall horizontally vented gas fueled equipment installed in every dwelling, building or structure used in whole or in part for residential purposes, including those owned or operated by the Commonwealth and where the side wall exhaust vent termination is less than seven (7) feet above finished grade in the area of the venting, including but not limited to decks and porches, the following requirements shall be satisfied:

Installation of Carbon Monoxide Detectors

At the time of installation of the side wall horizontal vented gas fueled equipment, the installing plumber or gas fitter shall observe that a hard wired carbon monoxide detector with an alarm and battery back-up is installed on the floor level where the gas equipment is to be installed. In addition, the installing plumber or gas fitter shall observe that a battery operated or hard wired carbon monoxide detector with an alarm is installed on each additional level of the dwelling, building or structure served by the side wall horizontal vented gas fueled equipment. It shall be the responsibility of the property owner to secure the services of qualified licensed professionals for the installation of hard wired carbon monoxide detectors.

In the event that the side wall horizontally vented gas fueled equipment is installed in a crawl space or an attic, the hard wired carbon monoxide detector with alarm and battery back-up may be installed on the next adjacent floor level.

In the event that the requirements of this subdivision can not be met at the time of completion of installation, the owner shall have a period of thirty (30) days to comply with the above requirements; provided, however, that during said thirty (30) day period, a battery operated carbon monoxide detector with an alarm shall be installed.

Approved Carbon Monoxide Detectors

Each carbon monoxide detector as required in accordance with the above provisions shall comply with NFPA 720 and be ANSI/UL 2034 listed and IAS certified.

Signage

A metal or plastic identification plate shall be permanently mounted to the exterior of the building at a minimum height of eight (8) feet above grade directly in line with the exhaust vent terminal for the horizontally vented gas fueled heating appliance or equipment. The sign shall read, in print size no less than one-half (1/2) in. in size, "**GAS VENT DIRECTLY BELOW. KEEP CLEAR OF ALL OBSTRUCTIONS**".

Inspection

The state or local gas inspector of the side wall horizontally vented gas fueled equipment shall not approve the installation unless, upon inspection, the inspector observes carbon monoxide detectors and signage installed in accordance with the provisions of 248 CMR 5.08(2)(a)1 through 4.

Exemptions

The following equipment is exempt from 248 CMR 5.08(2)(a)1 through 4:

- The equipment listed in Chapter 10 entitled "Equipment Not Required To Be Vented" in the most current edition of NFPA 54 as adopted by the Board; and
- Product Approved side wall horizontally vented gas fueled equipment installed in a room or structure separate from the dwelling, building or structure used in whole or in part for residential purposes.

MANUFACTURER REQUIREMENTS

Gas Equipment Venting System Provided

When the manufacturer of Product Approved side wall horizontally vented gas equipment provides a venting system design or venting system components with the equipment, the instructions provided by the manufacturer for installation of the equipment and the venting system shall include:

- Detailed instructions for the installation of the venting system design or the venting system components; and
- A complete parts list for the venting system design or venting system.

Gas Equipment Venting System NOT Provided

When the manufacturer of a Product Approved side wall horizontally vented gas fueled equipment does not provide the parts for venting the flue gases, but identifies "special venting systems", the following requirements shall be satisfied by the manufacturer:

- The referenced "special venting system" instructions shall be included with the appliance or equipment installation instructions; and
- The "special venting systems" shall be Product Approved by the Board, and the instructions for that system shall include a parts list and detailed installation instructions.

A copy of all installation instructions for all Product Approved side wall horizontally vented gas fueled equipment, all venting instructions, all parts lists for venting instructions, and/or all venting design instructions shall remain with the appliance or equipment at the completion of the installation.

See Gas Connection section for additional Commonwealth of Massachusetts requirements.

2 Getting Started

A. Design and Installation Considerations

Heat & Glo direct vent gas appliances are designed to operate with all combustion air siphoned from outside of the building and all exhaust gases expelled to the outside. No additional outside air source is required.

Installation **MUST** comply with local, regional, state and national codes and regulations. Consult insurance carrier, local building inspector, fire officials or authorities having jurisdiction over restrictions, installation inspection and permits.

Before installing, determine the following:

- Where the appliance is to be installed.
- The vent system configuration to be used.
- Gas supply piping requirements.
- Provisions for optional Heat-Zone®(s)
- Electrical wiring requirements.
- Framing and finishing details.
- Whether optional accessories—devices such as a fan, wall switch, or remote control—are desired.

Installation and service of this appliance should be performed by qualified personnel. Hearth & Home Technologies recommends HHT Factory Trained or NFI certified professionals.



Improper installation, adjustment, alteration, service or maintenance can cause injury or property damage. For assistance or additional information, consult a qualified service technician, service agency or your dealer.

B. Good Faith Wall Surface/TV Guidelines

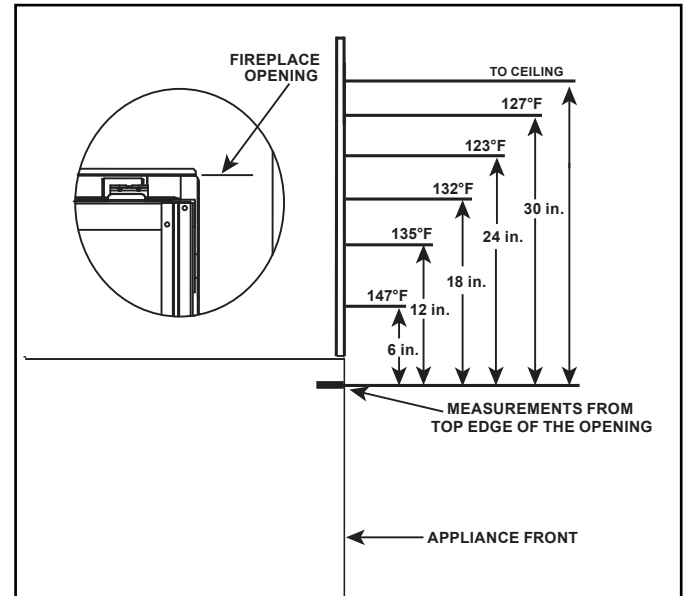


Figure 2.1 Good Faith Wall Surface Temperatures Above Appliance

NOTICE: Temperatures listed above are taken with a temperature measuring probe as prescribed by the test standard used for appliance certification. Temperatures on walls or mantels taken with an infrared thermometer may yield increased temperatures of up to 30 degrees or more depending on the thermometer settings and material characteristics being measured.

C. Tools and Supplies Needed

Before beginning the installation be sure that the following tools and building supplies are available.

- | | |
|---|-----------------------------------|
| Tape measure | Framing material |
| Pliers | Hammer |
| Phillips screwdriver | Manometer |
| Gloves | Framing square |
| Voltmeter | Electric drill and bits (1/4 in.) |
| Plumb line | Safety glasses |
| Level | Reciprocating saw |
| Flat blade screwdriver | |
| Non-corrosive leak check solution | |
| 1/2 - 3/4 in. length, #6 or #8 Self-drilling screws | |
| Caulking material (300 °F minimum continuous exposure rating) | |
| One 1/4 in. female connection (for optional fan). | |

D. Inspect Appliance and Components

- Carefully remove the appliance and components from the packaging.
- The vent system components and decorative doors and fronts may be shipped in separate packages.
- If packaged separately, the log set and appliance grate must be installed.
- Report to your dealer any parts damaged in shipment, particularly the condition of the glass.
- **Read all of the instructions before starting the installation. Follow these instructions carefully during the installation to ensure maximum safety and benefit.**

WARNING! Risk of Fire or Explosion! Damaged parts could impair safe operation. **DO NOT** install damaged, incomplete or substitute components. Keep appliance dry.

Hearth & Home Technologies disclaims any responsibility for, and the warranty will be voided by, the following actions:

- Installation and use of any damaged appliance or vent system component.
- Modification of the appliance or vent system.
- Installation other than as instructed by Hearth & Home Technologies.
- Improper positioning of the gas logs or the glass door.
- Installation and/or use of any component part not approved by Hearth & Home Technologies.

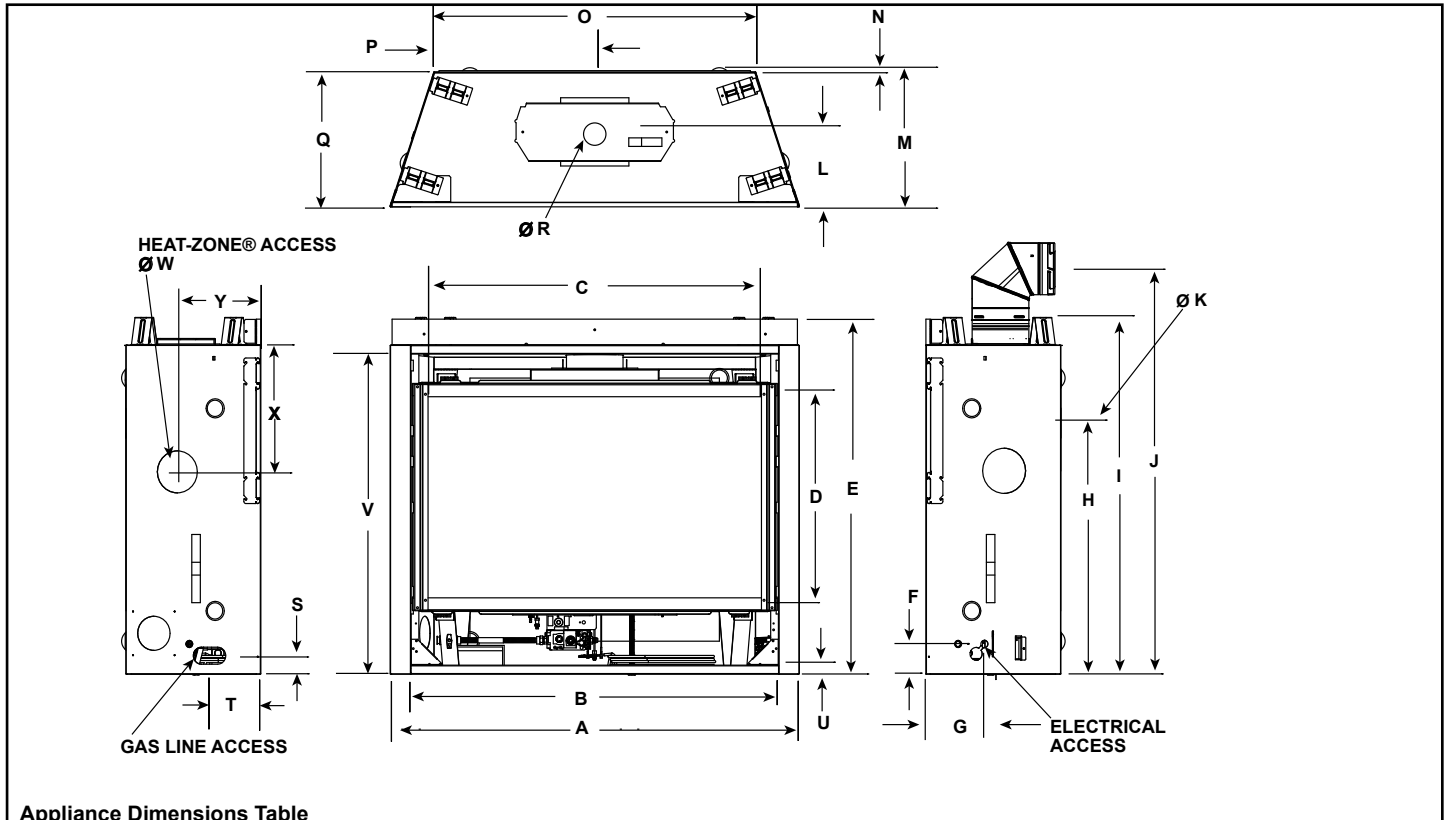
Any such action may cause a fire hazard.

WARNING! Risk of Fire, Explosion or Electric Shock! **DO NOT** use this appliance if any part has been under water. Call a qualified service technician to inspect the appliance and to replace any part of the control system and/or gas control which has been under water.

3 Framing and Clearances

A. Appliance/Decorative Front Dimension Diagrams

Dimensions are actual appliance dimensions. Use for reference only. For framing dimensions and clearances refer to Section 5.

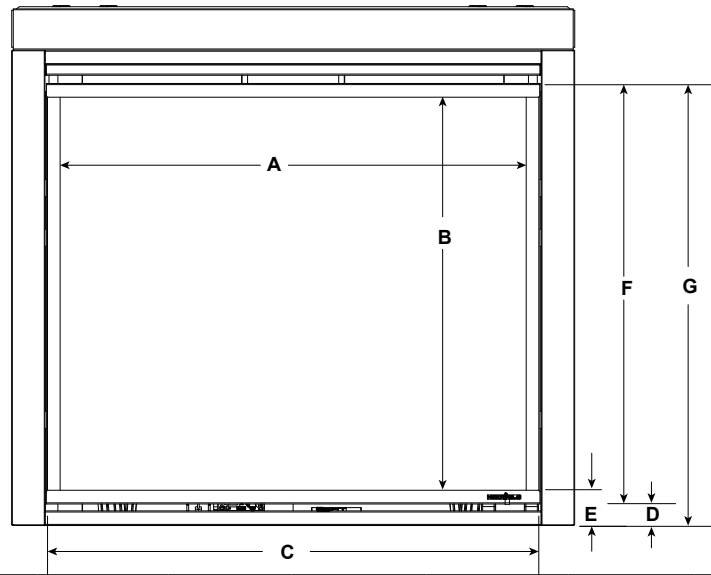


Appliance Dimensions Table

| Location | SL-3X | | SL-5X | | SL-7X | | SL-9X | |
|----------|--------|-------------|---------|-------------|----------|-------------|----------|-------------|
| | Inches | Millimeters | Inches | Millimeters | Inches | Millimeters | Inches | Millimeters |
| A | 33 | 838 | 36 | 914 | 41 | 1041 | 48 | 1219 |
| B | 28-1/8 | 714 | 31-1/8 | 791 | 36-1/8 | 918 | 43 | 1092 |
| C | 24-1/8 | 613 | 27-3/16 | 691 | 32-1/16 | 814 | 39-1/16 | 992 |
| D | 16 | 406 | 18-1/16 | 459 | 21-1/2 | 546 | 23-9/16 | 599 |
| E | 32-1/8 | 816 | 34-1/16 | 865 | 37-5/8 | 956 | 39-9/16 | 1005 |
| F | 3-1/2 | 89 | 3-9/16 | 90 | 3-9/16 | 90 | 3-9/16 | 90 |
| G | 6-7/8 | 175 | 6-7/8 | 175 | 6-7/8 | 175 | 6-7/8 | 175 |
| H | 21-3/8 | 543 | 23-3/8 | 594 | 26-7/8 | 683 | 28-7/8 | 733 |
| I | 32-3/8 | 822 | 34-3/8 | 873 | 37-7/8 | 962 | 39-7/8 | 1013 |
| J | 34-1/2 | 876 | 36-7/16 | 926 | 39-15/16 | 1014 | 41-15/16 | 1065 |
| K | 8 | 203 | 8 | 203 | 8 | 203 | 8 | 203 |
| L | 8-3/4 | 222 | 8-13/16 | 224 | 8-13/16 | 224 | 8-13/16 | 224 |
| M | 16-1/4 | 413 | 16-5/16 | 414 | 16-5/16 | 414 | 16-5/16 | 414 |
| N | 1/2 | 13 | 1/2 | 13 | 1/2 | 13 | 1/2 | 13 |
| O | 22-3/4 | 578 | 25-3/4 | 654 | 30-3/4 | 781 | 37-3/4 | 959 |
| P | 11-3/8 | 289 | 12-7/8 | 327 | 15-3/8 | 391 | 18-7/8 | 479 |
| Q | 15-7/8 | 403 | 15-7/8 | 403 | 15-7/8 | 403 | 15-7/8 | 403 |
| R | 6-5/8 | 168 | 6-5/8 | 168 | 6-5/8 | 168 | 6-5/8 | 168 |
| S | 2-1/8 | 54 | 2-3/16 | 56 | 2-3/16 | 56 | 2-3/16 | 56 |
| T | 6 | 152 | 6 | 152 | 6 | 152 | 6 | 152 |
| U | 1 | 25 | 1 | 25 | 1 | 25 | 1 | 25 |
| V | 28 | 711 | 30-1/16 | 764 | 33-9/16 | 853 | 35-9/16 | 903 |
| W | 5 | 127 | 5 | 127 | 5 | 127 | 5 | 127 |
| X | 14 | 356 | 14 | 356 | 14 | 356 | 14 | 356 |
| Y | 9-1/8 | 232 | 9-1/8 | 232 | 9-1/8 | 232 | 9-1/8 | 232 |

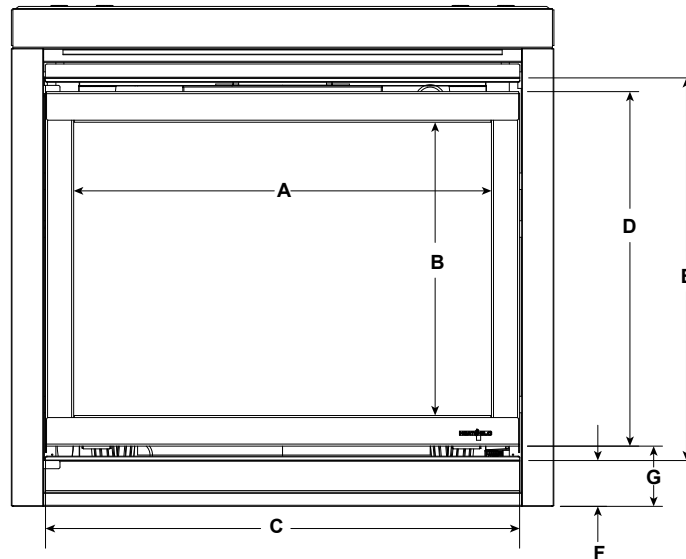
Figure 3.1 Appliance Dimensions

FIRESCREEN DECORATIVE FRONT



| | | | A | B | C | D | E | F | G |
|-------|------|-----|--------|--------|----------|-------|-------|---------|--------|
| SL-3X | FS-3 | in. | 26 | 23 | 28 | 1-5/8 | 2-5/8 | 25-1/16 | 26-3/4 |
| | | mm | 660 | 584 | 711 | 41 | 67 | 637 | 680 |
| SL-5X | FS-5 | in. | 28-7/8 | 25-1/8 | 31 | 1-5/8 | 2-5/8 | 27-1/8 | 28-3/4 |
| | | mm | 733 | 638 | 787 | 41 | 67 | 689 | 730 |
| SL-7X | FS-7 | in. | 34 | 28-3/4 | 35-15/16 | 1-5/8 | 2-5/8 | 30-5/8 | 32-1/4 |
| | | mm | 864 | 730 | 913 | 41 | 67 | 778 | 819 |
| SL-9X | FS-9 | in. | 40-7/8 | 30-5/8 | 43 | 1-5/8 | 2-5/8 | 32-5/8 | 34-1/4 |
| | | mm | 1038 | 778 | 1092 | 41 | 67 | 829 | 870 |

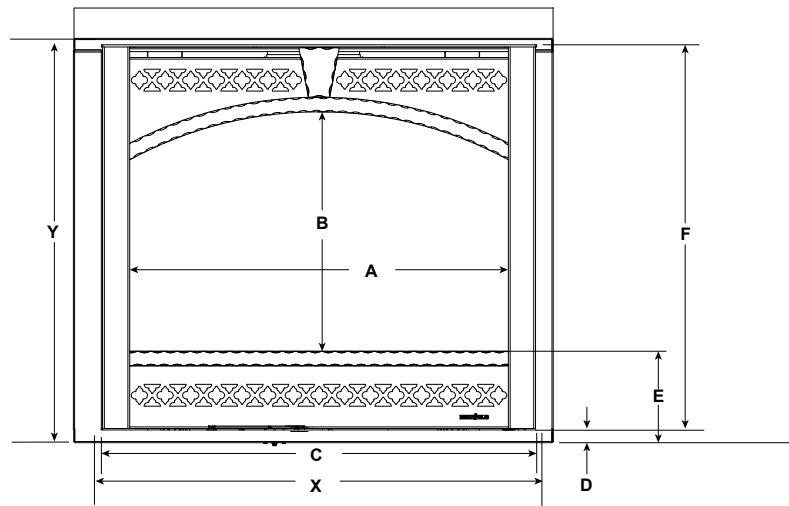
CLEAN FACE DECORATIVE FRONT



| | | | A | B | C | D | E | F | G |
|-------|-------|-----|---------|----------|----------|----------|----------|-------|--------|
| SL-5X | CF-32 | in. | 26-9/16 | 18-11/16 | 30-13/16 | 23-5/16 | 25-7/16 | 3-1/2 | 4-9/16 |
| | | mm | 675 | 475 | 783 | 592 | 646 | 89 | 116 |
| SL-7X | CF-36 | in. | 31-1/2 | 22-3/16 | 35-13/16 | 26-13/16 | 28-15/16 | 3-1/2 | 4-9/16 |
| | | mm | 800 | 564 | 910 | 681 | 735 | 89 | 116 |
| SL-9X | CF-42 | in. | 38-1/2 | 24-1/16 | 42-3/4 | 28-11/16 | 30-13/16 | 3-1/2 | 4-9/16 |
| | | mm | 978 | 611 | 1086 | 729 | 783 | 89 | 116 |

Figure 3.2 Decorative Front Dimensions - Firescreen and Clean Face

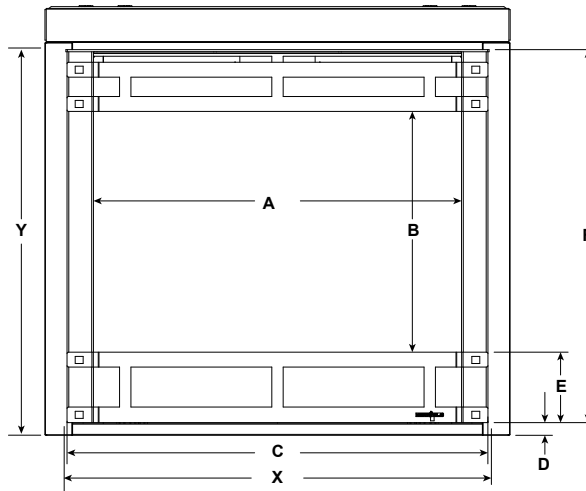
CHATEAU DECORATIVE FRONT



1IN. to 4 IN. Overlap
Fit Finishing-Refer
to Figure 10.9

| | | | A | B | C | D | E | F | X | Y |
|-------|--------|-----|---------|---------|---------|-------|---------|---------|--------|----------|
| SL-3X | CHA-28 | in. | 24-7/16 | 16-1/8 | 29-1/16 | 1-1/8 | 5-13/16 | 27-5/16 | 29-3/8 | 28-3/4 |
| | | mm | 621 | 410 | 738 | 29 | 148 | 694 | 746 | 730 |
| SL-5X | CHA-32 | in. | 27-7/16 | 18-1/8 | 32-1/16 | 1-1/8 | 5-13/16 | 29-3/8 | 32-3/4 | 30-13/16 |
| | | mm | 697 | 460 | 814 | 29 | 148 | 746 | 832 | 783 |
| SL-7X | CHA-36 | in. | 32-7/16 | 20-1/2 | 37-3/16 | 1-1/8 | 7-7/8 | 32-7/8 | 37-3/8 | 34-3/8 |
| | | mm | 824 | 521 | 945 | 29 | 200 | 835 | 949 | 873 |
| SL-9X | CHA-42 | in. | 39-7/16 | 22-7/16 | 44-3/16 | 1-1/8 | 7-7/16 | 34-3/4 | 44-3/8 | 36-3/8 |
| | | mm | 1002 | 570 | 1122 | 29 | 189 | 883 | 1127 | 924 |

HALSTON DECORATIVE FRONTS

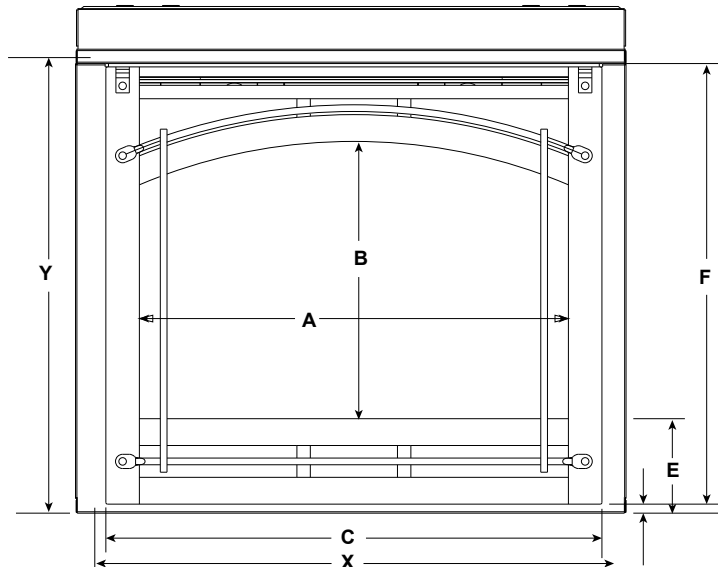


1IN. to 4 IN. Overlap
Fit Finishing-Refer
to Figure 10.9

| | | | A | B | C | D | E | F | X | Y |
|-------|--------|-----|---------|--------|---------|-------|---------|---------|--------|----------|
| SL-3X | HAL-28 | in. | 24-7/16 | 16-1/8 | 29-1/16 | 1-1/8 | 5-13/16 | 27-5/16 | 29-3/8 | 28-3/4 |
| | | mm | 621 | 410 | 738 | 29 | 148 | 694 | 746 | 730 |
| SL-5X | HAL-32 | in. | 27-7/16 | 18-1/8 | 32-1/16 | 1-1/8 | 5-13/16 | 29-3/8 | 32-3/4 | 30-13/16 |
| | | mm | 697 | 460 | 814 | 29 | 148 | 746 | 832 | 783 |
| SL-7X | HAL-36 | in. | 32-7/16 | 21-1/4 | 37-3/16 | 1-1/8 | 6-1/4 | 32-7/8 | 37-3/8 | 34-3/8 |
| | | mm | 824 | 540 | 945 | 29 | 159 | 835 | 949 | 873 |
| SL-9X | HAL-42 | in. | 39-7/16 | 23-1/8 | 44-3/16 | 1-1/8 | 6-1/4 | 34-3/4 | 44-3/8 | 36-3/8 |
| | | mm | 1002 | 587 | 1122 | 29 | 159 | 883 | 1127 | 924 |

Figure 3.3 Decorative Front Dimensions - Chateau and Halston

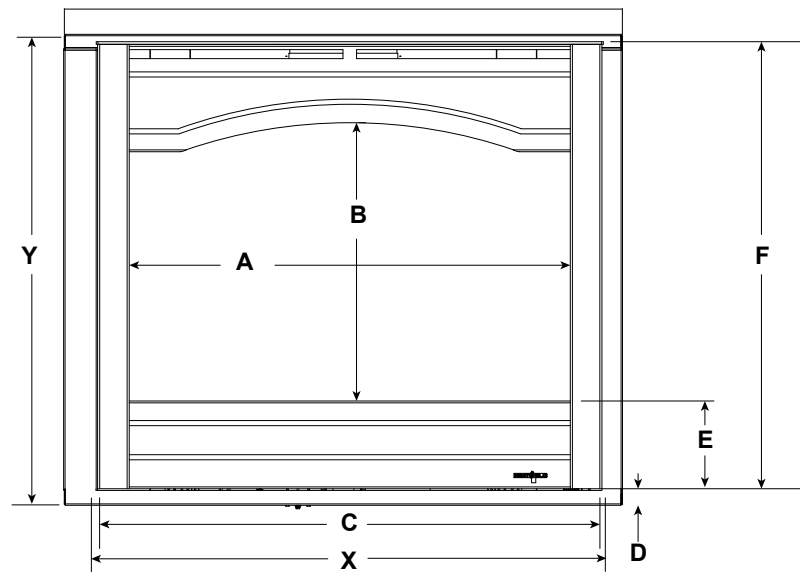
CHATEAU FORGE DECORATIVE FRONTS



11N. to 4 IN. Overlap
Fit Finishing-Refer to
Figure 10.9

| | | | A | B | C | D | E | F | | X | Y |
|-------|---------|-----|--------|--------|---------|--------|--------|---------|--|--------|----------|
| SL-5X | CHAF-32 | in. | 27-1/8 | 17-1/8 | 32-5/16 | 1-1/8 | 7-1/2 | 29-7/16 | | 32-3/4 | 30-13/16 |
| | | mm | 689 | 435 | 821 | 29 | 191 | 748 | | 832 | 783 |
| SL-7X | CHAF-36 | in. | 32 | 20-3/4 | 37-1/8 | 1-3/16 | 7-9/16 | 32-7/8 | | 37-3/8 | 34-3/8 |
| | | mm | 813 | 527 | 943 | 30 | 192 | 835 | | 949 | 873 |
| SL-9X | CHAF-42 | in. | 39 | 22-5/8 | 44-3/8 | 1-1/8 | 7-5/8 | 34-3/4 | | 44-3/8 | 36-3/8 |
| | | mm | 991 | 575 | 1127 | 29 | 194 | 883 | | 1127 | 924 |

ARCADIA DECORATIVE FRONT



11N. to 4 IN. Overlap
Fit Finishing-Refer to
Figure 10.9

| | | | A | B | C | D | E | F | | X | Y |
|-------|--------|-----|---------|---------|---------|-------|---------|--------|--|--------|----------|
| SL-5X | ARC-32 | in. | 27-7/16 | 16-7/8 | 32-1/4 | 1-1/8 | 6-1/2 | 29-3/8 | | 32-3/4 | 30-13/16 |
| | | mm | 697 | 429 | 819 | 29 | 165 | 746 | | 832 | 783 |
| SL-7X | ARC-36 | in. | 32-7/16 | 20-1/2 | 37-3/16 | 1-1/4 | 7-11/16 | 32-7/8 | | 37-3/8 | 34-3/8 |
| | | mm | 824 | 521 | 945 | 32 | 195 | 835 | | 949 | 873 |
| SL-9X | ARC-42 | in. | 39-7/16 | 22-7/16 | 44-3/16 | 1-1/4 | 7-7/16 | 34-3/4 | | 44-3/8 | 36-3/8 |
| | | mm | 1002 | 570 | 1122 | 32 | 189 | 883 | | 1127 | 924 |

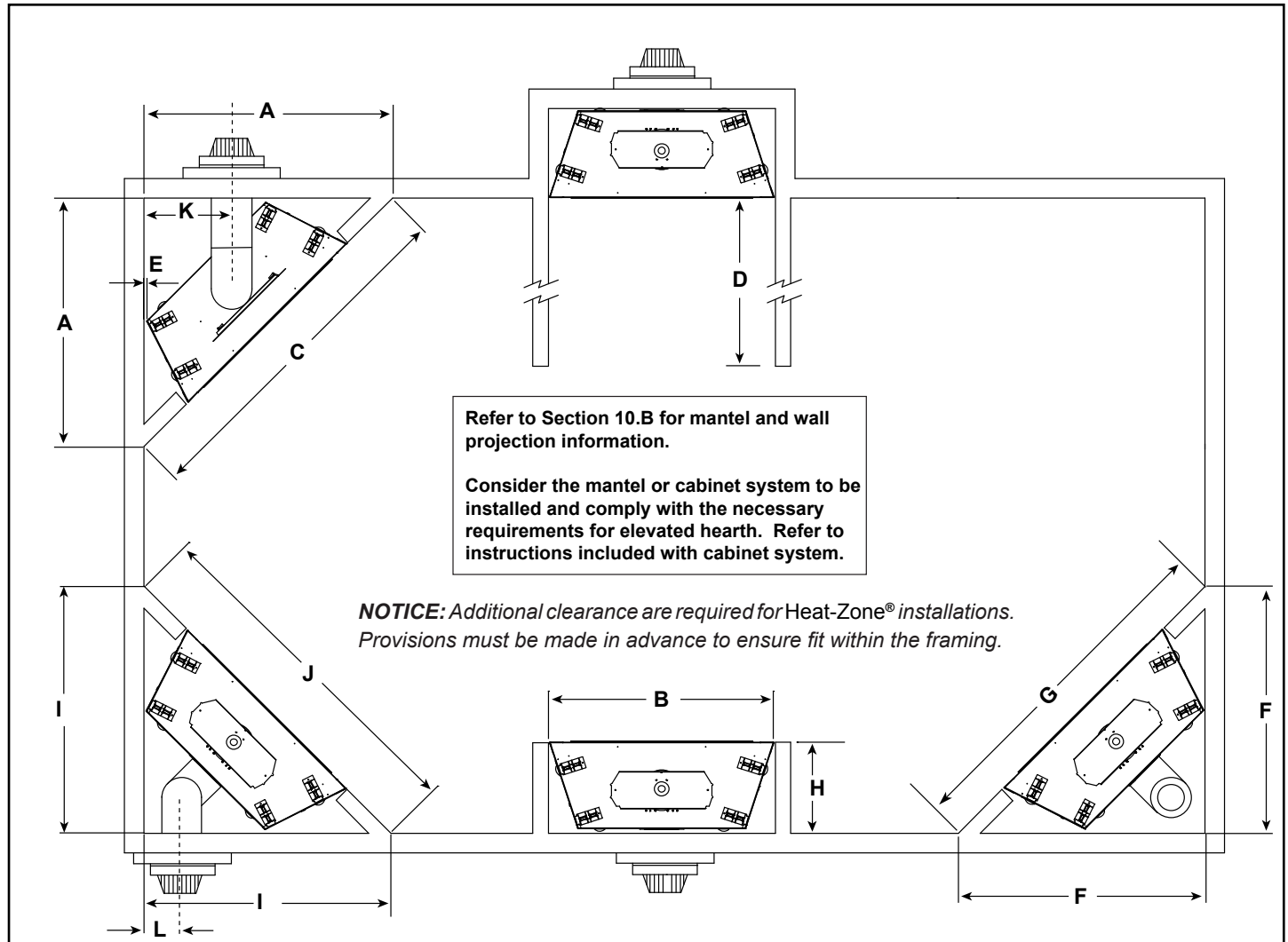
Figure 3.4 Decorative Front Dimensions - Chateau Forge and Arcadia

B. Clearances to Combustibles

When selecting a location for the appliance it is important to consider the required clearances to walls. See Figure 3.5.

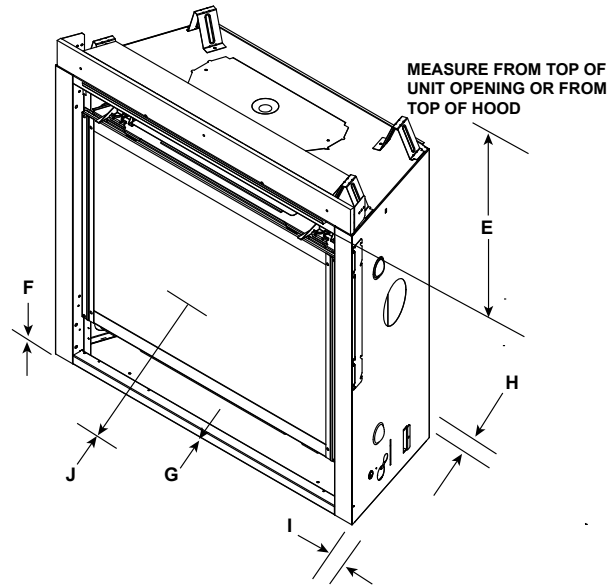
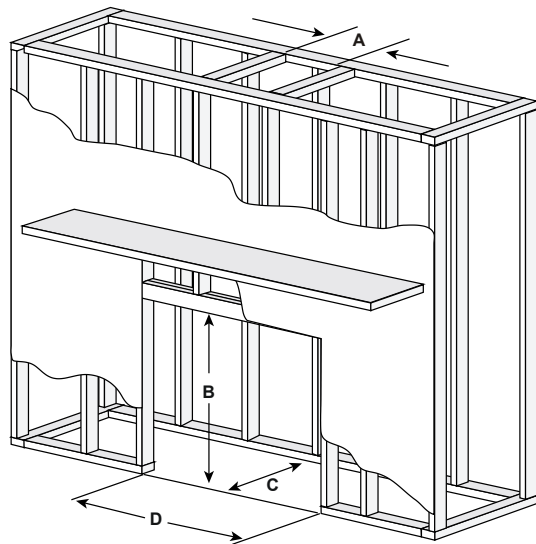
NOTICE: Illustrations reflect typical installations and are FOR DESIGN PURPOSES ONLY. Illustrations/diagrams are not drawn to scale. Actual installation may vary due to individual design preference.

WARNING! Risk of Fire or Burns! Provide adequate clearance around air openings and for service access. Due to high temperatures, the appliance should be located out of traffic and away from furniture and draperies.



| Models | | A | B | C | D | E Min. | F | G | H | I | J | K | L |
|--------|-----|--------|------|--------|---|-----------|--------|--------|--------|--------|--------|---------|-------|
| SL-3X | in. | 39-1/2 | 34 | 55-7/8 | See Section 10.B for Alcove Instal- lation | 1/2 | 44 | 62-1/4 | 16-1/4 | 48-1/2 | 68-3/4 | 13-1/2 | 7-1/2 |
| | mm | 1003 | 864 | 1419 | | 13 | 1118 | 1581 | 413 | 1232 | 1746 | 343 | 191 |
| SL-5X | in. | 42 | 37 | 59-1/2 | | 1/2 | 44 | 62-1/4 | 16-1/4 | 48-1/2 | 68-3/4 | 15-1/16 | 7-1/2 |
| | mm | 1067 | 940 | 1511 | | 13 | 1118 | 1581 | 413 | 1232 | 1746 | 383 | 191 |
| SL-7X | in. | 45-1/2 | 42 | 64-3/8 | | 1/2 | 45-1/2 | 64-3/8 | 16-1/4 | 48-1/2 | 68-3/4 | 16-5/8 | 7-1/2 |
| | mm | 1156 | 1067 | 1635 | | 13 | 1156 | 1635 | 413 | 1232 | 1746 | 422 | 191 |
| SL-9X | in. | 50-1/2 | 49 | 71-1/2 | | 1/2 | 50-1/2 | 71-1/2 | 16-1/4 | 50-1/2 | 71-1/2 | 19-1/2 | 9-1/4 |
| | mm | 1283 | 1245 | 1816 | | 13 | 1283 | 1816 | 413 | 1283 | 1816 | 495 | 235 |

Figure 3.5 Appliance Locations



*** MINIMUM FRAMING DIMENSIONS**

| Models | A | | B | C | | D | E | F | G | H | I | J | |
|--------|-----------------------|-----------------------|------------------------|-----------------------|-----------------------|-----------------------|----------------------|-------------------|----------------------|------------------|--------------------|--------------------|-----|
| | DVP Pipe | SLP Pipe | Rough Opening (Height) | **DVP Pipe | SLP Pipe | Rough Opening (Width) | Clearance to Ceiling | Combustible Floor | Combustible Flooring | Behind Appliance | Sides of Appliance | Front of Appliance | |
| | Rough Opening (Width) | Rough Opening (Width) | | Rough Opening (Depth) | Rough Opening (Depth) | | | | | | | | |
| SL-3X | in. | 10 | 8-5/8 | 32-3/4 | 16-1/4 | 16-1/4 | 34 | 32 | 0 | 0 | 1/2 | 1/2 | 36 |
| | mm | 254 | 219 | 832 | 413 | 413 | 864 | 813 | 0 | 0 | 13 | 13 | 914 |
| SL-5X | in. | 10 | 8-5/8 | 34-3/4 | 16-1/4 | 16-1/4 | 37 | 32 | 0 | 0 | 1/2 | 1/2 | 36 |
| | mm | 254 | 219 | 882 | 413 | 413 | 940 | 813 | 0 | 0 | 13 | 13 | 914 |
| SL-7X | in. | 10 | 8-5/8 | 38-1/4 | 16-1/4 | 16-1/4 | 42 | 32 | 0 | 0 | 1/2 | 1/2 | 36 |
| | mm | 254 | 219 | 972 | 413 | 413 | 1067 | 813 | 0 | 0 | 13 | 13 | 914 |
| SL-9X | in. | 10 | 8-5/8 | 40-1/4 | 16-1/4 | 16-1/4 | 49 | 32 | 0 | 0 | 1/2 | 1/2 | 36 |
| | mm | 254 | 219 | 1022 | 413 | 413 | 1245 | 813 | 0 | 0 | 13 | 13 | 914 |

* Adjust framing dimensions for interior sheathing (such as sheetrock)

C** Add 12 inches when rear venting with one 90° elbow.

Figure 3.6 Clearances to Combustibles

C. Constructing the Appliance Chase

A chase is a vertical box-like structure built to enclose the gas appliance and/or its vent system. In cooler climates the vent should be enclosed inside the chase.

NOTICE: *Treatment of ceiling firestops and wall shield firestops and construction of the chase may vary with the type of building. These instructions are not substitutes for the requirements of local building codes. Therefore, you MUST check local building codes to determine the requirements to these steps.*

Chases should be constructed in the manner of all outside walls of the home to prevent cold air drafting problems. The chase should not break the outside building envelope in any manner.

Walls, ceiling, base plate and cantilever floor of the chase should be insulated. Vapor and air infiltration barriers should be installed in the chase as per regional codes for the rest of the home. Additionally, in regions where cold air infiltration may be an issue, the inside surfaces may be sheetrocked and taped (or an equivalent method may be used) to achieve maximum air tightness.

To further prevent drafts, the wall shield and ceiling firestops should be caulked with caulk with a minimum of 300 °F continuous exposure rating to seal gaps. Gas line holes and other openings should be caulked with caulk with a minimum of 300 °F continuous exposure rating or stuffed with unfaced insulation. If the appliance is being installed on a cement surface, a layer of plywood may be placed underneath to prevent conducting cold up into the room.


NOTICE: *Install appliance on hard metal or wood surfaces extending full width and depth. **DO NOT** install directly on carpeting, vinyl, tile or any combustible material other than wood.*

WARNING! Risk of Fire! *Maintain specified air space clearances to appliance and vent pipe:*

- Insulation and other materials must be secured to prevent accidental contact.
- The chase must be properly blocked to prevent blown insulation or other combustibles from entering and making contact with fireplace or chimney.
- Failure to maintain airspace may cause overheating and a fire.

4 Termination Location and Vent Information

A. Vent Termination Minimum Clearances

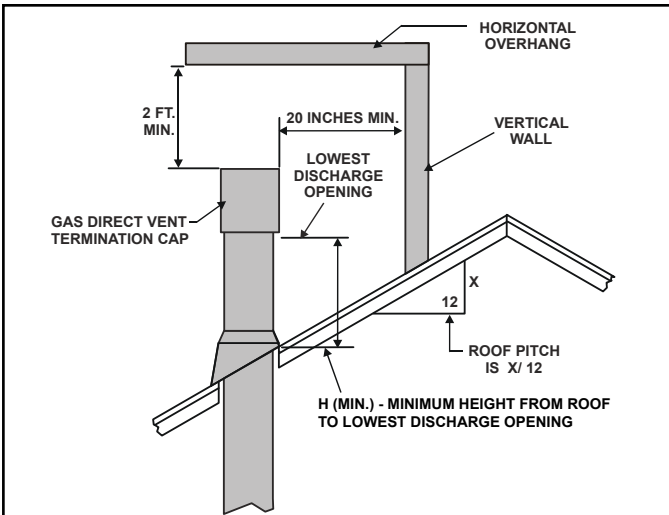


WARNING

Fire Risk.
Maintain vent clearance to combustibles as specified.

- **DO NOT** pack air space with insulation or other materials.

Failure to keep insulation or other materials away from vent pipe could cause overheating and fire.

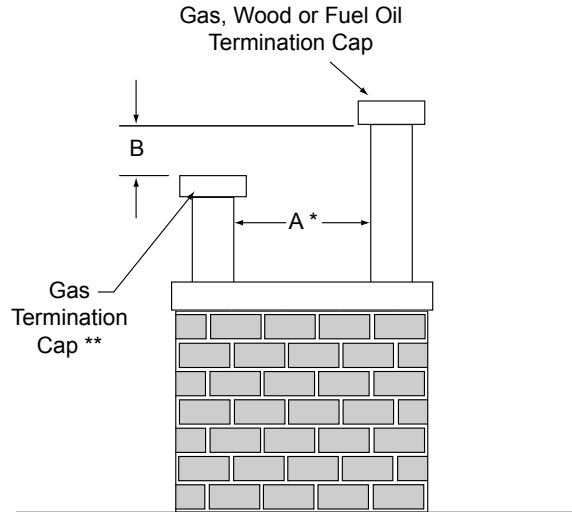


| Roof Pitch | H (Min.) Ft. |
|--------------------------|--------------|
| Flat to 6/12..... | 1.0* |
| Over 6/12 to 7/12..... | 1.25* |
| Over 7/12 to 8/12..... | 1.5* |
| Over 8/12 to 9/12..... | 2.0* |
| Over 9/12 to 10/12..... | 2.5* |
| Over 10/12 to 11/12..... | 3.25 |
| Over 11/12 to 12/12..... | 4.0 |
| Over 12/12 to 14/12..... | 5.0 |
| Over 14/12 to 16/12..... | 6.0 |
| Over 16/12 to 18/12..... | 7.0 |
| Over 18/12 to 20/12..... | 7.5 |
| Over 20/12 to 21/12..... | 8.0 |

* H minimum may vary depending on regional snowfall. Refer to local codes.

Figure 4.1 Minimum Height From Roof to Lowest Discharge Opening

| A | B |
|---|--------------------------|
| 6 in. (minimum) up to 20 in. 152 mm/508 mm | 18 in. minimum 457 mm |
| 20 in. and over | 0 in. minimum |

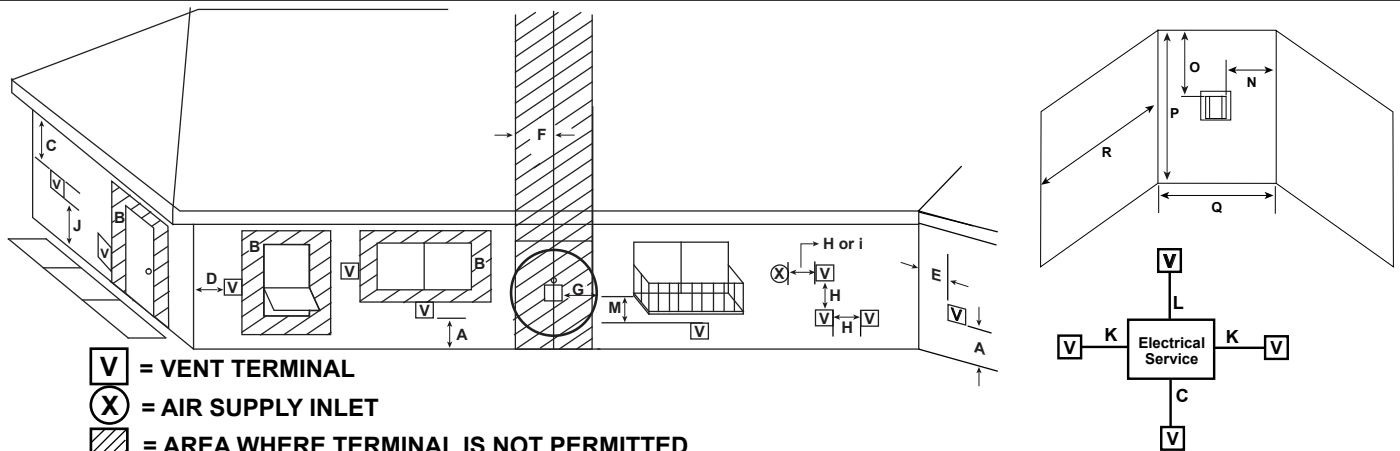


* If using decorative cap cover(s), this distance may need to be increased. Refer to the installation instructions supplied with the decorative cap cover.

** In a staggered installation with both gas and wood or fuel oil terminations, the wood or fuel oil termination cap must be higher than the gas termination cap.

Figure 4.2 Staggered Termination Caps

B. Chimney Diagram



- V** = VENT TERMINAL
X = AIR SUPPLY INLET
 = AREA WHERE TERMINAL IS NOT PERMITTED

- A = 12 inches.....clearances above grade, veranda, porch, deck or balcony
- B = 9 inches (U.S.A.)
 12 inches (Canada) clearance to window or door that may be opened, or to permanently closed window
- C = 18 inches.....clearance below unventilated soffit
 18 inches.....clearance below ventilated soffit
 30 inches.....clearance below vinyl soffits and electrical service
- D = 6 inches.....clearance to outside corner
- E = 6 inches.....clearance to inside corner
- F = 3 ft. (Canada).....not to be installed above a gas meter/regulator assembly within 3 feet horizontally from the center-line of the regulator
- G = 3 ft.....clearance to gas service regulator vent outlet
- H = 12 inches.....clearance to non-mechanical (unpowered) air supply inlet, combustion air inlet or direct-vent termination
- i = 3 ft. (U.S.A.)
 6 ft. (Canada).....clearance to a mechanical (powered) air supply inlet
- All mechanical air intakes within 10 feet of a termination cap must be a minimum of 3 feet below termination.
- J = 7 ft..... On **public** property: clearance above paved sidewalk or a paved driveway.
- A vent shall not terminate directly above a sidewalk or paved driveway which is located between two single family dwellings and serves both dwellings.

- K = 6 inches.....clearance from sides of electrical service
- L = 12 inches.....clearance above electrical service
 Location of the vent termination must not interfere with access to the electrical service.

- M = 18 inches clearance under veranda, porch, deck, balcony or overhang
 42 inchesvinyl or composite overhang
 Permitted when veranda, porch, deck or balcony is fully open on a minimum of 2 sides beneath the floor.

Figure 4.3 Minimum Clearances for Termination

Covered Alcove Applications
 (Spaces open only on one side and with an overhang)

N = 6 inches non-vinyl sidewalls
 12 inches vinyl sidewalls

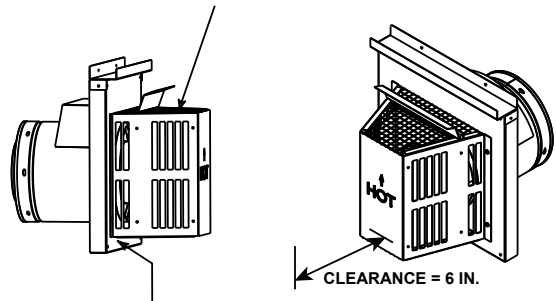
O = 18 inches non-vinyl soffit and overhang
 42 inches vinyl soffit and overhang

P = 8 ft.

| | Q_{MIN} | R_{MAX} |
|--------|-----------|--------------------|
| 1 cap | 3 feet | 2 x Q_{ACTUAL} |
| 2 caps | 6 feet | 1 x Q_{ACTUAL} |
| 3 caps | 9 feet | 2/3 x Q_{ACTUAL} |
| 4 caps | 12 feet | 1/2 x Q_{ACTUAL} |

$Q_{MIN} = \# \text{ termination caps} \times 3$ $R_{MAX} = (2 / \# \text{ termination caps}) \times Q_{ACTUAL}$

Measure vertical clearances from this surface.



Measure horizontal clearances from this surface.

CAUTION! Risk of Burns! Termination caps are **HOT**, consider proximity to doors, traffic areas or where people may pass or gather (sidewalk, deck, patio, etc.). Listed cap shields available. Contact your dealer.

- Local codes or regulations may require different clearances.
- Vent system termination is **NOT** permitted in screened porches.
- Vent system termination is permitted in porch areas with two or more sides open.
- Hearth & Home Technologies assumes no responsibility for the improper performance of the appliance when the venting system does not meet these requirements.
- Vinyl protection kits are suggested for use with vinyl siding.

C. Approved Pipe

Approved Pipe - Rigid

This appliance is approved for use with Hearth & Home Technologies DVP or SLP venting systems. Refer to Section 12.A for vent component information and dimensions.

DO NOT mix pipe, fittings or joining methods from different manufacturers.

The pipe is tested to be run inside an enclosed wall. There is no requirement for inspection openings at each joint within the wall.

WARNING! Risk of Fire or Asphyxiation. *This appliance requires a separate vent. DO NOT vent to a pipe serving a separate solid fuel burning appliance.*

Approved Pipe - Flex

This appliance is approved for use with Hearth & Home Technologies SLP-FLEX (6-5/8 in.) and SLP-FLEX7 (7 inch) venting systems.

DO NOT mix pipe, fittings or joining methods from different manufacturers. SLP-FLEX and SLP-FLEX7 venting cannot be interchanged.

SLP-FLEX (6-5/8 Inch): venting may be used in any venting configuration shown in the venting tables provided that the horizontal vent length is reduce by 25%.

SLP-FLEX7 (7 Inch-Canada Only): venting requires adapter collars to transition from the 6-5/8 in. appliance starting collar and to the 6-5/8" termination cap. Refer to installation instructions included with the SLP-FLEX7 collar adapter (SLP-FLEX7-AM/SLP-FLEX7-A). SLP-FLEX7 Series venting is approved for use in Canada only.

The pipe is tested to be run inside an enclosed wall. There is no requirement for inspection openings at each joint within the wall.

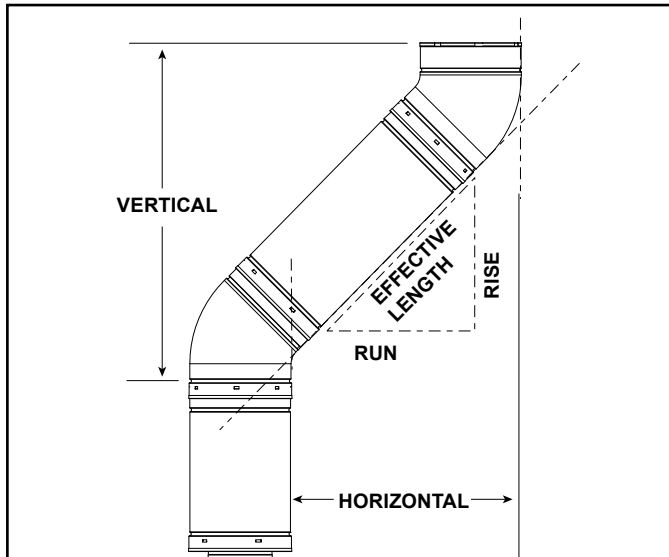
WARNING! Risk of Fire or Asphyxiation. *This appliance requires a separate vent. DO NOT vent to a pipe serving a separate solid fuel burning appliance.*

D. Use of Elbows

Diagonal runs have both vertical and horizontal vent aspects when calculating the effects. Use the rise for the vertical aspect and the run for the horizontal aspect. See Figure 4.4.

Two 45° elbows may be used in place of one 90° elbow. On 45° runs, one foot of diagonal is equal to 8-1/2 in. (216 mm) horizontal run and 8-1/2 in. (216 mm) vertical run. A length of straight pipe is allowed between two 45° elbows. See Figure 4.4.

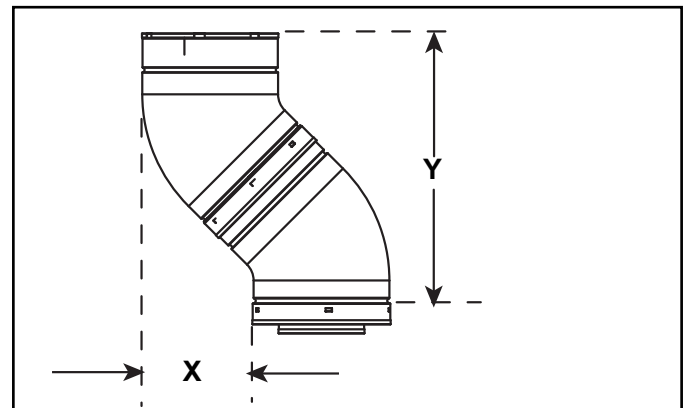
Figure 4.5 shows the vertical and horizontal offsets for DVP or SLP elbows.



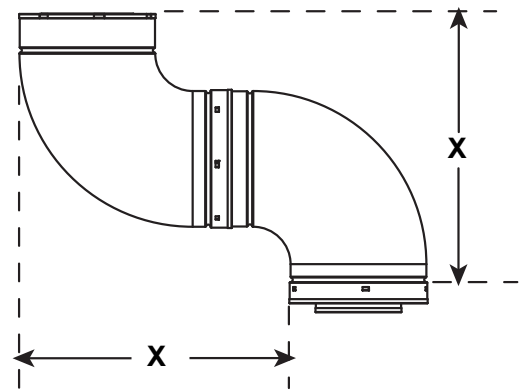
| SLP Pipe | Effective Length | | Rise/Run | |
|----------|------------------|-------------|-------------|-------------|
| | Inches | Millimeters | Inches | Millimeters |
| SLP4 | 4 | 102 | 2-3/4 | 70 |
| SLP6 | 6 | 152 | 4-1/4 | 108 |
| SLP12 | 12 | 305 | 8-1/2 | 216 |
| SLP24 | 24 | 610 | 17 | 432 |
| SLP36 | 36 | 914 | 25-1/2 | 648 |
| SLP48 | 48 | 1219 | 34 | 864 |
| SLP6A | 3 to 6 | 76 to 152 | 2-1/8-4-1/4 | 54-108 |
| SLP12A | 3 to 12 | 76 to 305 | 2-1/8-8-1/2 | 54-216 |

| DVP Pipe | Effective Length | | Rise/Run | |
|----------|------------------|-------------|-------------|-------------|
| | Inches | Millimeters | Inches | Millimeters |
| DVP4 | 4 | 102 | 2-3/4 | 70 |
| DVP6 | 6 | 152 | 4-1/4 | 108 |
| DVP12 | 12 | 305 | 8-1/2 | 216 |
| DVP24 | 24 | 610 | 17 | 432 |
| DVP36 | 36 | 914 | 25-1/2 | 648 |
| DVP48 | 48 | 1219 | 34 | 864 |
| DVP6A | 3 to 6 | 76 to 152 | 2-1/8-4-1/4 | 54-108 |
| DVP12A | 3 to 12 | 76 to 305 | 2-1/8-8-1/2 | 54-216 |

Figure 4.4



| Vent Type | X | | Y | |
|-----------|--------|-------------|--------|-------------|
| | Inches | Millimeters | Inches | Millimeters |
| DVP | 4-1/2 | 114 | 17 | 432 |
| SLP | 5 | 127 | 11-3/4 | 298 |



| Vent Type | X | |
|-----------|--------|-------------|
| | Inches | Millimeters |
| DVP | 16-1/4 | 413 |
| SLP | 11-1/4 | 286 |

Figure 4.5 Vertical and Horizontal Offset for DVP and SLP Elbows

E. Measuring Standards

Vertical and horizontal measurements listed in the vent diagrams were made using the following standards:

- Pipe measurements are shown using the effective length of pipe. See Section 12.A for information on effective length of pipe components.
- Horizontal terminations are measured to the outside mounting surface (flange of termination cap) (see Figure 4.6).
- Vertical terminations are measured to top of last section of pipe. See Figure 4.7.
- Horizontal pipe installed level with no rise.

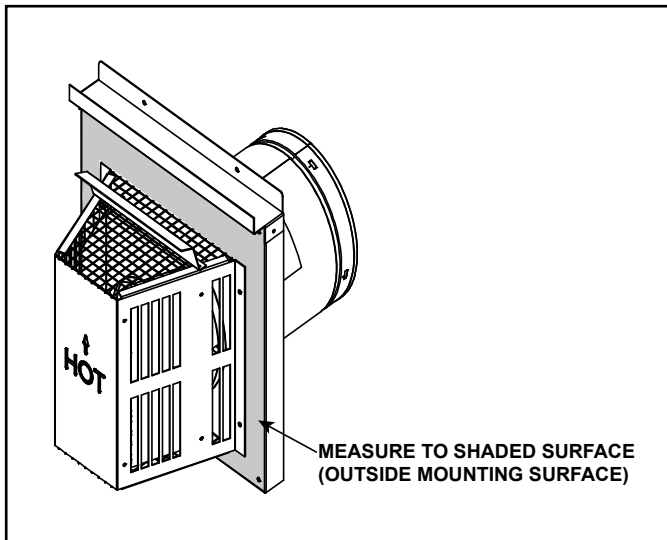


Figure 4.6 Measure to Outside Mounting Surface

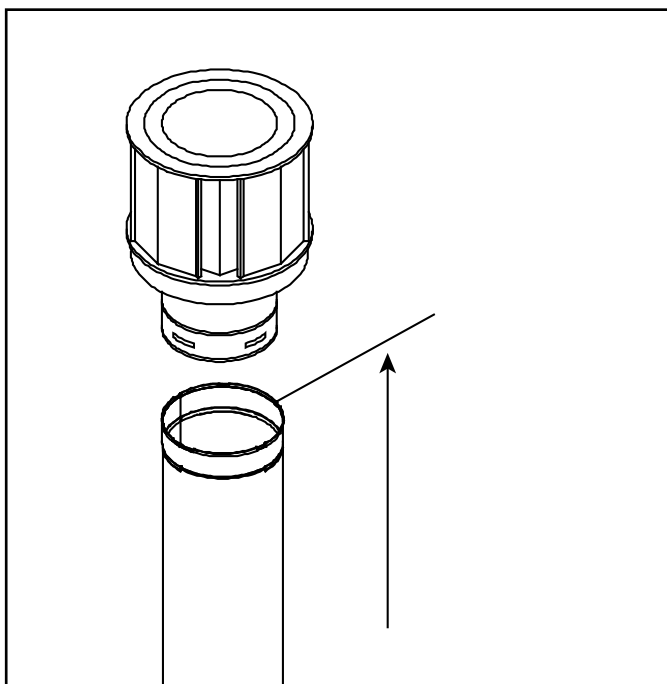


Figure 4.7. Measure to Top of Last Section of Pipe

F. Use of Flex Vent (SLP-FLEX Series 6-5/8 Inch)

The flex vent must be supported with the spacing between support intervals not exceeding 4 feet, with no more than 1/2 inch sag between supports.

A support is required at each change in venting direction, and in any location where it is necessary to maintain the necessary clearance to combustibles. A simple “up and out” installation (Figure 4.8) requires only enough support to maintain the necessary clearance to combustibles. However, the vent attachment point and the firestop location are considered to be supports.

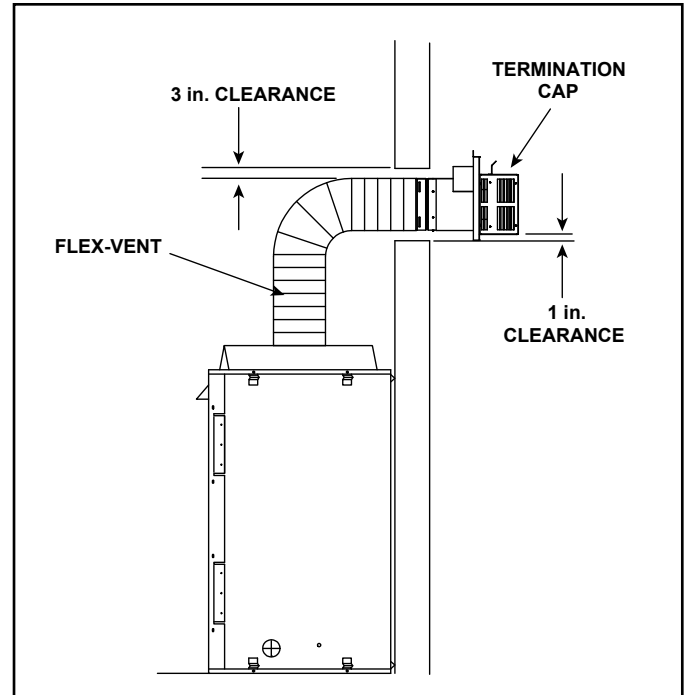


Figure 4.8 Flex Vent Pipe - Generic Fireplace Shown

G. Vent Diagrams

General Rules:

- SUBTRACT 3 ft. from the total H measurement for each 90° elbow installed horizontally.
- SUBTRACT 1-1/2 ft. from the total H measurement for each 45° elbow installed horizontally.
- **Rear Vented:** A maximum of three 90° elbows (or six 45° elbows) may be used in any vent configuration. Some elbows may be installed horizontally. See Figure 4.23 and 4.24.
- **Top Vented:** A maximum of four 90° elbows (or eight 45° elbows) may be used in any vent configuration. Some elbows may be installed horizontally. See Figure 4.16 and 4.17.
- Elbows may be placed back to back anywhere in the system.
- Any 90° elbow may be replaced with two back to back 45° elbows.
- When penetrating a combustible wall, a wall shield firestop must be installed.
- When penetrating a combustible ceiling, a ceiling firestop must be installed.
- Horizontal runs of vent do not require vertical rise; horizontal runs may be level.
- Horizontal termination cap should have a 1/4 inch downward slant to allow any moisture in cap to be released. See Figure 4.9.

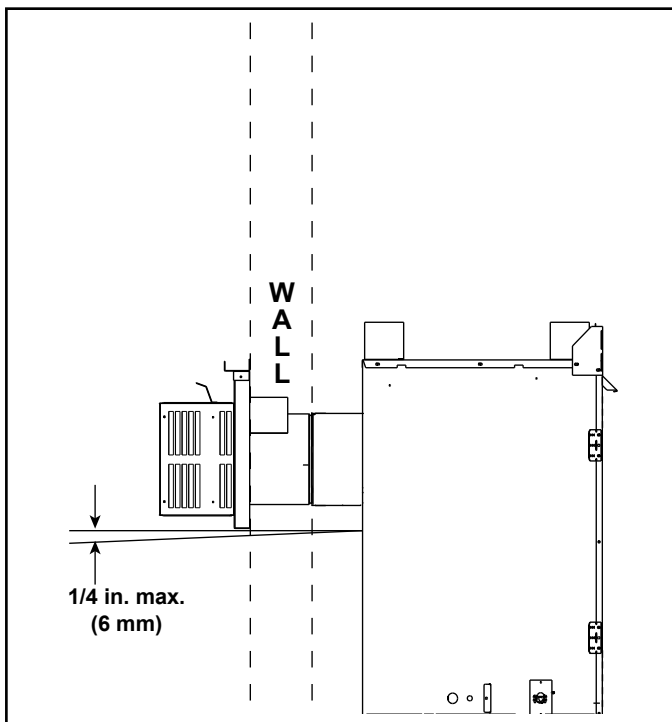


Figure 4.9 Vent Cap - Generic Fireplace Shown

Top Vent - Horizontal Termination

One Elbow

Note: Use SLP Series components only.

Note: There **MUST** be a 25% reduction in total H when using flex vent except when using the simple up and out installation. See Figure 4.8.

WARNING *



Fire Risk.

- When using SLP-HRC-SS termination cap on top vented fireplaces, a one foot minimum vertical vent section is required before installing first elbow.
- When using DVP-TB1 termination cap on top vented fireplaces, a three foot minimum vertical vent section is required before installing first elbow.

| V Minimum | | H Maximum | |
|---|--------|------------|---------|
| | | All Models | |
| 90° Elbow* | | 1 ft. | 305 mm |
| 1/2 ft.* | 152 mm | 2 ft. | 610 mm |
| 1-1/2 ft.* | 457 mm | 3 ft. | 914 mm |
| 2-1/2 ft.* | 762 mm | 5 ft. | 1-1/2 m |
| 3-1/2 ft. | 1.1 m | 7 ft. | 2.1 m |
| 4-1/2 ft. | 1.4 m | 15 ft. | 4.6 m |
| H ₁ Maximum= 15 ft. (4.6 m) V ₁ + H ₁ Maximum= 40 ft. (12.2 m) * See warning below | | | |

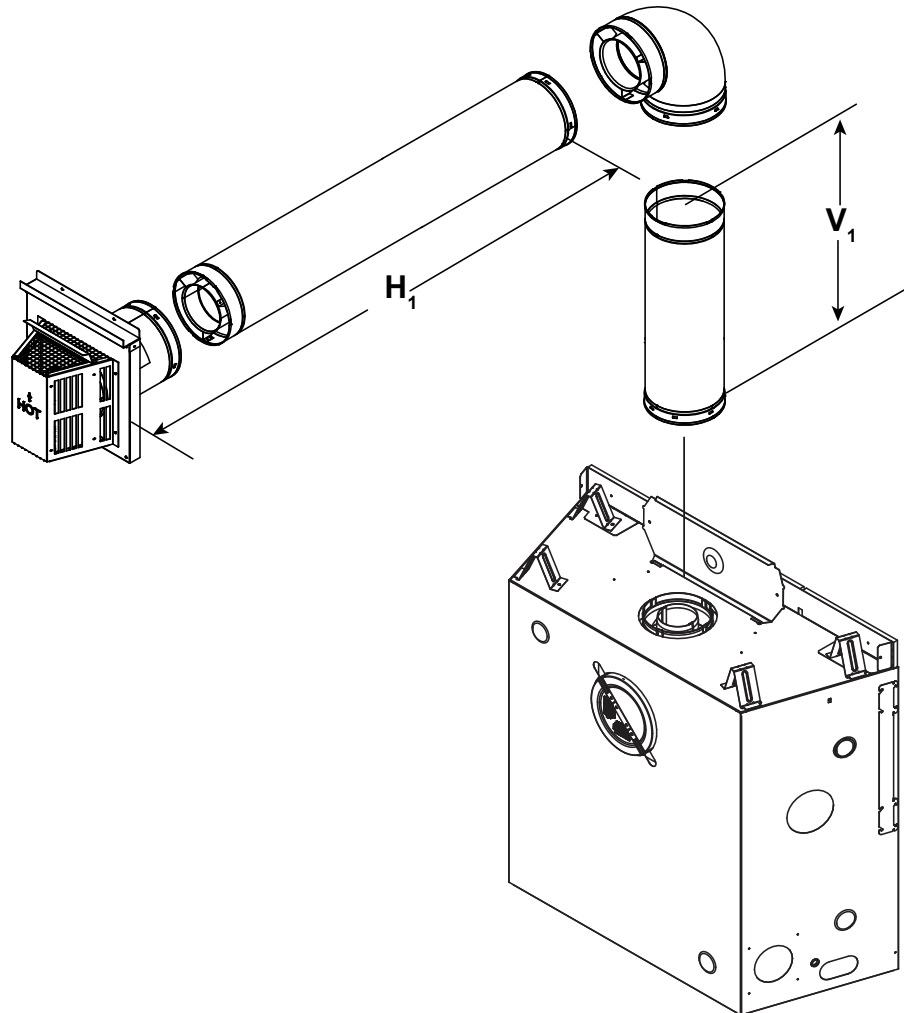


Figure 4.10

Top Vent - Horizontal Termination - (continued)

Two Elbows

Note: Use SLP Series components only.

Note: There **MUST** be a 25% reduction in total H when using flex vent except when using the simple up and out installation. See Figure 4.8.

| V Minimum | | H Maximum | |
|--|--------|-------------|--------|
| | | All Models | |
| 90° Elbow* | | NOT ALLOWED | |
| 1/2 ft.* | 152 mm | 1 ft. | 305 mm |
| 1-1/2 ft.* | 457 mm | 2 ft. | 610 mm |
| 2-1/2 ft.* | 762 mm | 4 ft. | 1.2 m |
| 3-1/2 ft. | 1.1 m | 6 ft. | 1.8 m |
| 4-1/2 ft. | 1.4 m | 14 ft. | 4.3 m |
| $H_1 + H_2$ Maximum= 14 ft. (4.3 m) $V_1 + H_1 + H_2$ Maximum= 40 ft. (12.2 m) * See warning below | | | |

WARNING *



Fire Risk.

- When using SLP-HRC-SS termination cap on top vented fireplaces, a one foot minimum vertical vent section is required before installing first elbow.
- When using DVP-TB1 termination cap on top vented fireplaces, a three foot minimum vertical vent section is required before installing first elbow.

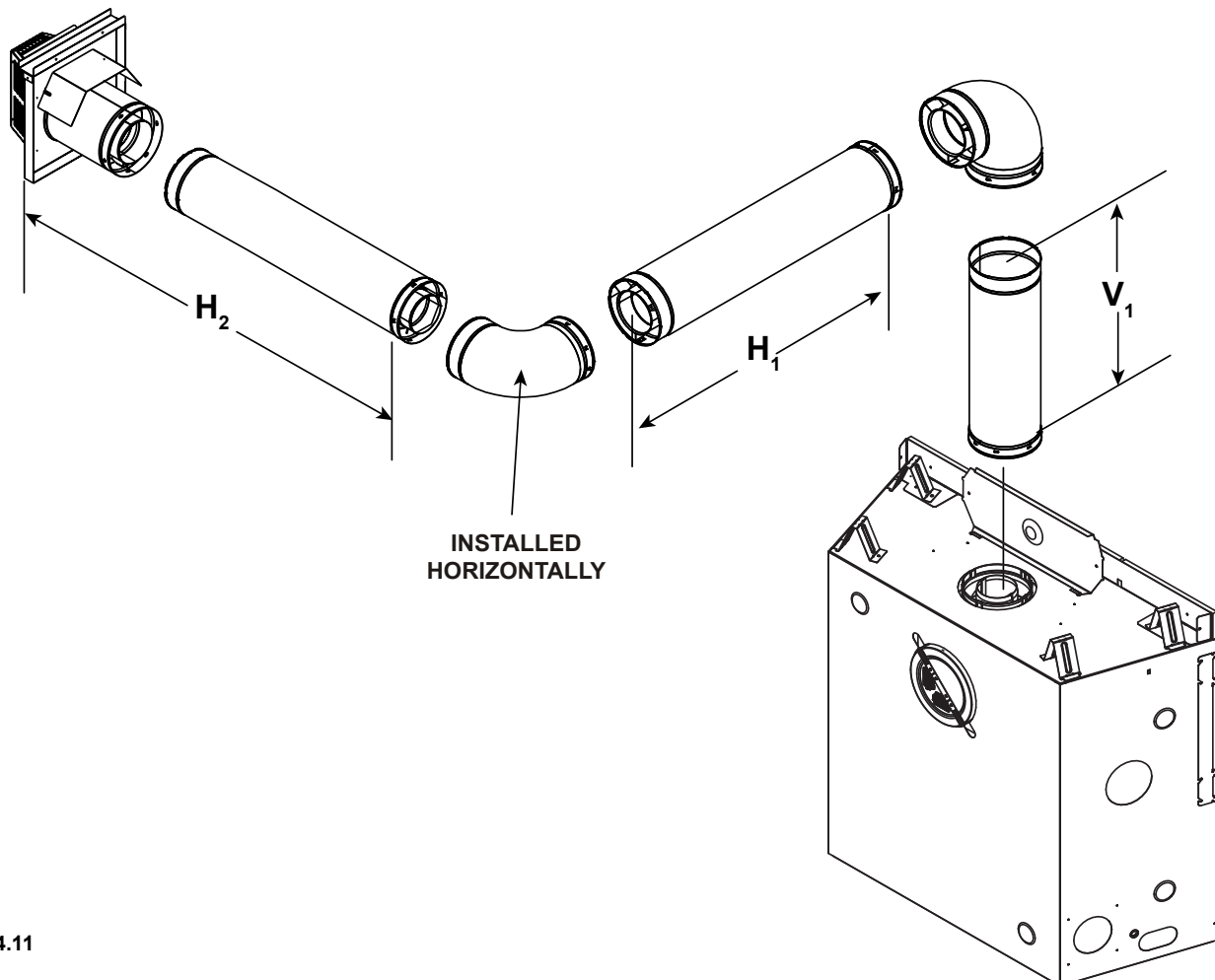


Figure 4.11

Top Vent - Horizontal Termination - (continued)

Three Elbows

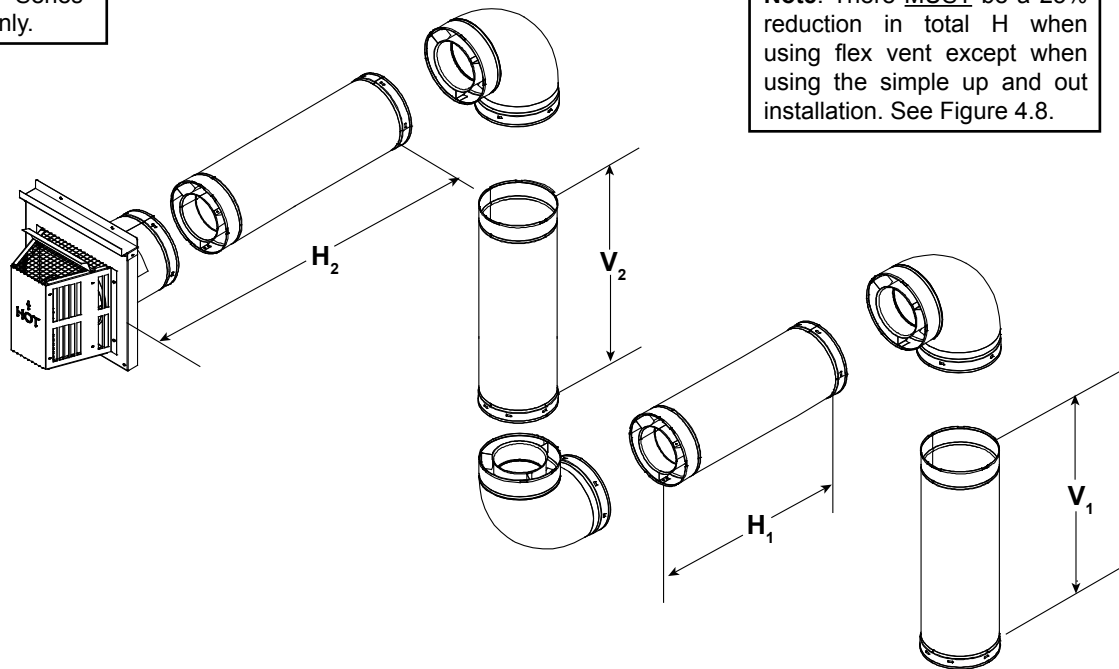
| V ₁ Minimum | | H ₁ Maximum | | H ₁ + H ₂ Maximum | | V ₂ | V ₁ + V ₂ Minimum |
|------------------------|--------|------------------------|--------|---|--------|----------------|---|
| | | All Models | | | | | |
| Elbow only** | | 1 ft. | 305 mm | 2 ft. | 610 mm | * | * |
| 1/2 ft.** | 152 mm | 2 ft. | 610 mm | 4 ft. | 1.2 m | * | * |
| 1-1/2 ft.** | 457 mm | 3 ft. | 914 mm | 6 ft. | 1.8 m | * | * |
| 2-1/2 ft.** | 762 mm | 5 ft. | 1.5 m | 10 ft. | 3.0 m | * | * |
| 3-1/2 ft. | 1.1 m | 7 ft. | 2.1 m | 14 ft. | 4.3 m | * | * |
| 4-1/2 ft. | 1.4 m | 14 ft. | 4.3 m | 14 ft. | 4.3 m | * | * |

V₁ + H₁ + V₂ + H₂ Maximum = 40 ft. (12.2 m)

*No specific restrictions on this value EXCEPT V₁ + V₂ + H₁ + H₂ CANNOT exceed 40 ft. (12.2 m)

** See warning below

Note: Use SLP Series components only.



Note: There MUST be a 25% reduction in total H when using flex vent except when using the simple up and out installation. See Figure 4.8.

⚠ WARNING **

Fire Risk.

- When using SLP-HRC-SS termination cap on top vented fireplaces, a one foot minimum vertical vent section is required before installing first elbow.

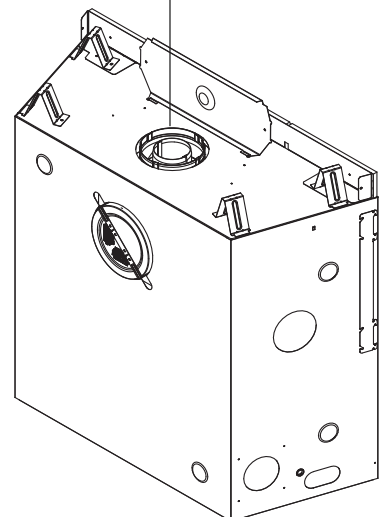


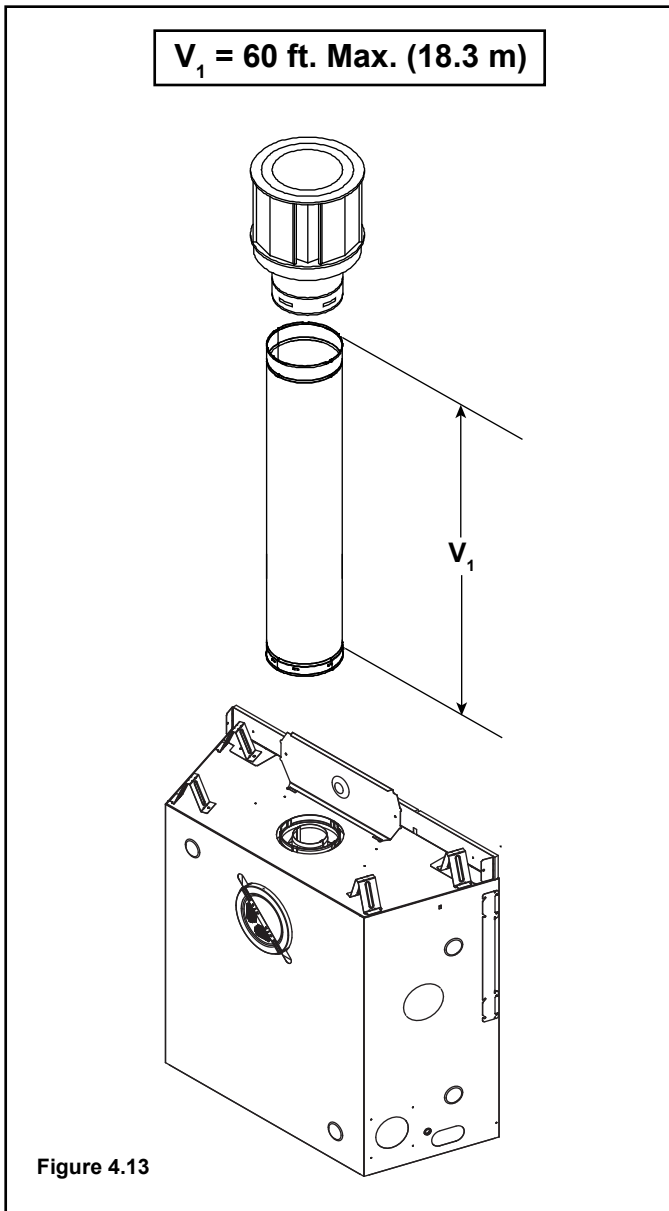
Figure 4.12

Top Vent - Vertical Termination

No Elbow

Note: Use SLP Series components only.

Note: If installing a vertical vent/termination off the top of the appliance, the optional vertical termination baffle may be needed.

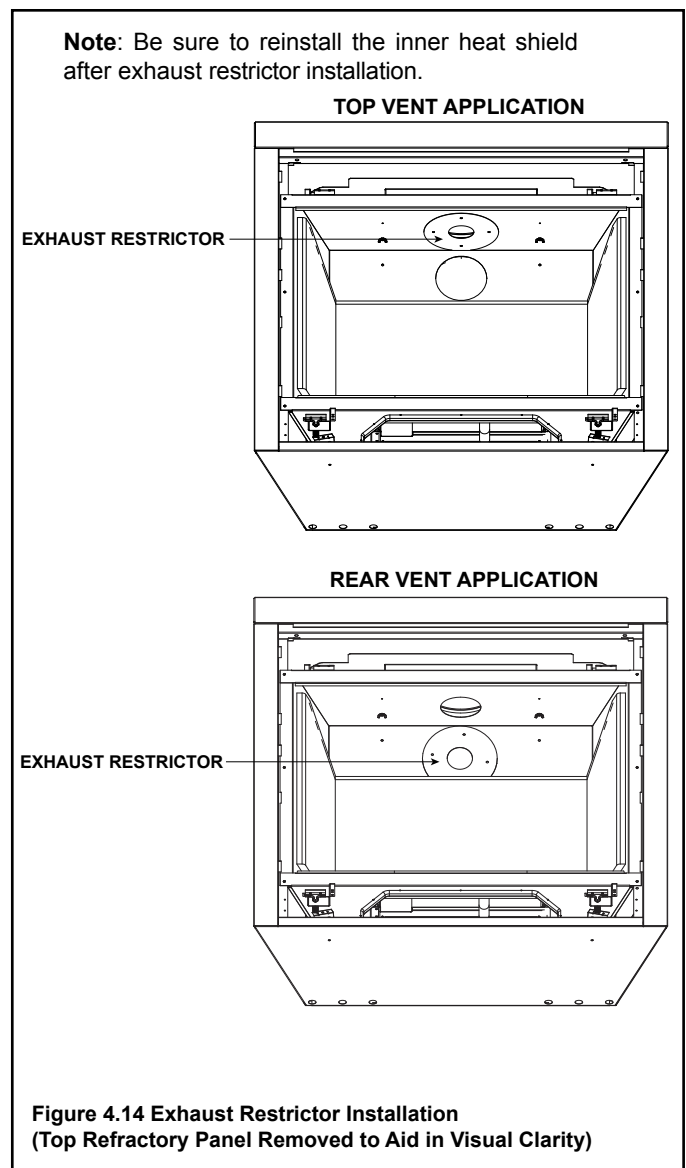


Exhaust restrictor Instructions

Exhaust restrictors are recommended for these vertically terminated products which have excessive draft. Exhaust restrictors will compensate for high draft, and restore visual flame height. If the vent configuration has a total vertical of 15-60 feet, an exhaust restrictor may be needed. The exhaust restrictor can be located in the appliance manual bag.

Note: Remove top refractory piece, if installed.

1. Install the exhaust restrictor over the center of the exhaust outlet in the firebox (see Figure 4.14).
2. Center the exhaust restrictor in the open end of the exhaust outlet and secure through the slots on the exhaust restrictor with the two 1/4 in. self tapping screws provided in the appliance manual bag.
3. Reinstall top refractory.



Top Vent - Vertical Termination - (continued)

Two 90° Elbows

| ALL MODELS | | | | | |
|------------------------|--------|------------------------|--------|----------------|---|
| V ₁ Minimum | | H ₁ Maximum | | V ₂ | V ₁ + V ₂ Minimum |
| 90° Elbow | | 1 ft. | 305 mm | * | * |
| 1/2 ft. | 152 mm | 2 ft. | 610 mm | * | * |
| 1 ft. | 305 mm | 2-1/2 ft. | 762 mm | * | * |
| 2 ft. | 610 mm | 4 ft. | 1.2 m | * | * |
| 3 ft. | 914 m | 6 ft. | 1.8 m | * | * |
| 4 ft. | 1.2 m | 8 ft. | 2.4 m | * | * |
| 5 ft. | 1.5 m | 15 ft | 4.6 m | * | * |

H₁ Maximum= 15 ft. (4.6 m)
 V₁ + V₂ + H₁ Maximum = 40 ft. (12.2 m)
 *No specific restrictions on this value EXCEPT V₁ + V₂ + H₁ CANNOT exceed 40 ft. (12.2 m)

Note: Use SLP Series components only.

Note: There MUST be a 25% reduction in total H when using flex vent except when using the simple up and out installation. See Figure 4.8.

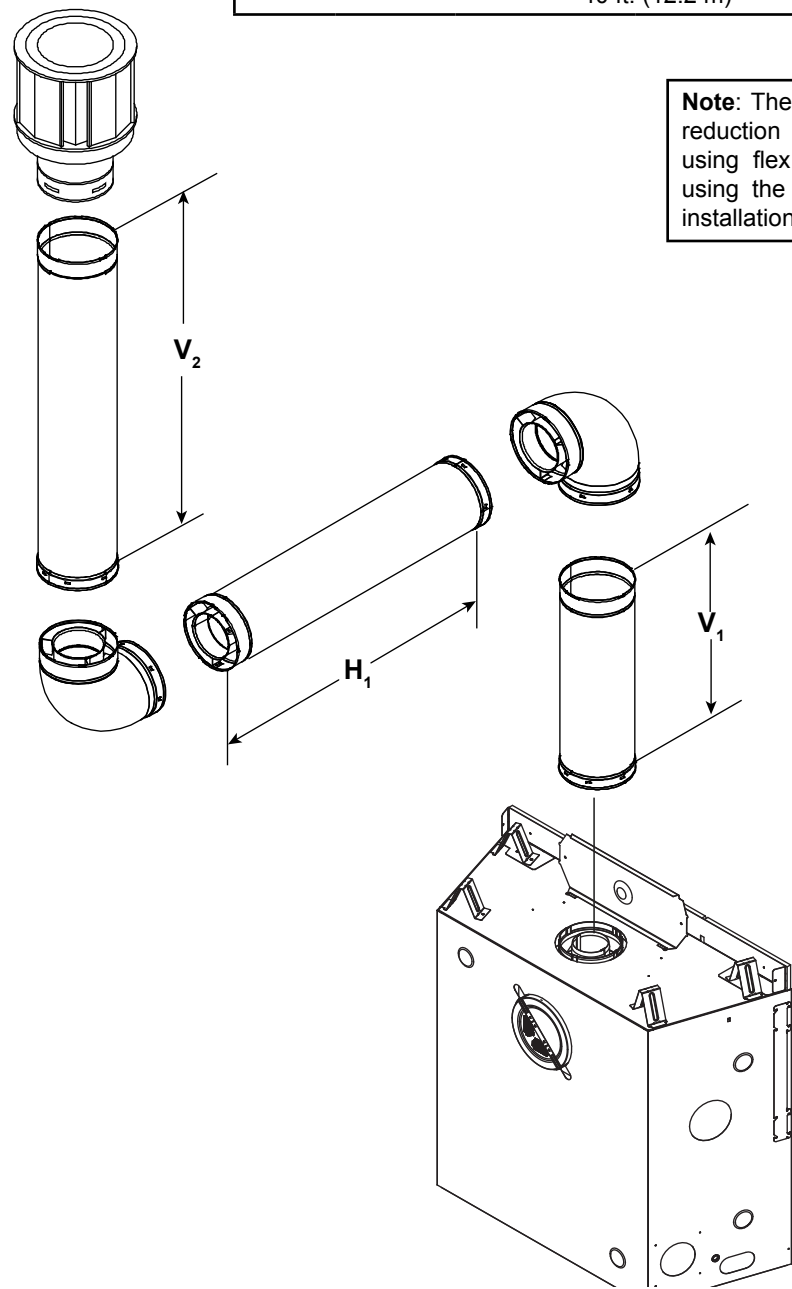


Figure 4.15

Top Vent - Vertical Termination - (continued)

Three Elbows

Note: Use SLP Series components only.

Note: There **MUST** be a 25% reduction in total H when using flex vent except when using the simple up and out installation. See Figure 4.8.

| ALL MODELS | | | | | | | |
|------------|--------|---------------------|--------|-----------|--------|---------------------|--------|
| V_1 | | $H_1 + H_2$ Maximum | | V_2 | | $V_1 + V_2$ Minimum | |
| 90° Elbow | | 0 | 0 | 1-1/2 ft. | 457 mm | 1-1/2 ft. | 457 mm |
| 1/2 ft. | 152 mm | 1 ft. | 305 mm | * | * | * | * |
| 1-1/2 ft. | 457 mm | 2 ft. | 610 mm | * | * | * | * |
| 2-1/2 ft. | 762 mm | 4 ft. | 1.2 m | * | * | * | * |
| 3-1/2 ft. | 1.1 m | 6 ft. | 1.8 m | * | * | * | * |
| 4-1/2 ft. | 1.4 m | 14 ft. | 4.3 m | * | * | * | * |

H_1 Maximum = 14 ft. (4.3 m)
 *No specific restrictions on this value EXCEPT $V_1 + V_2 + H_1 + H_2$
 CANNOT exceed 40 ft. (12.2 m).

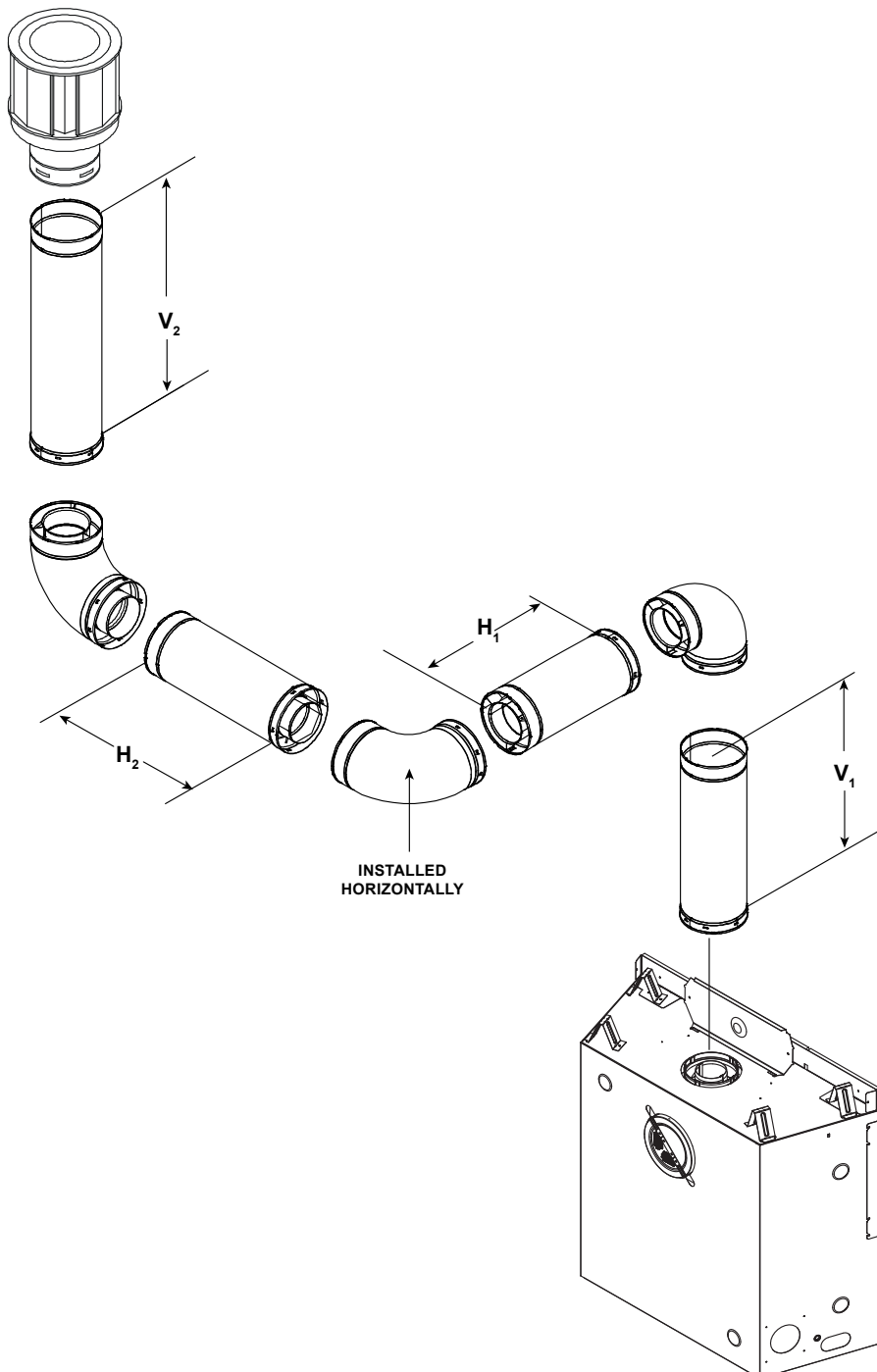


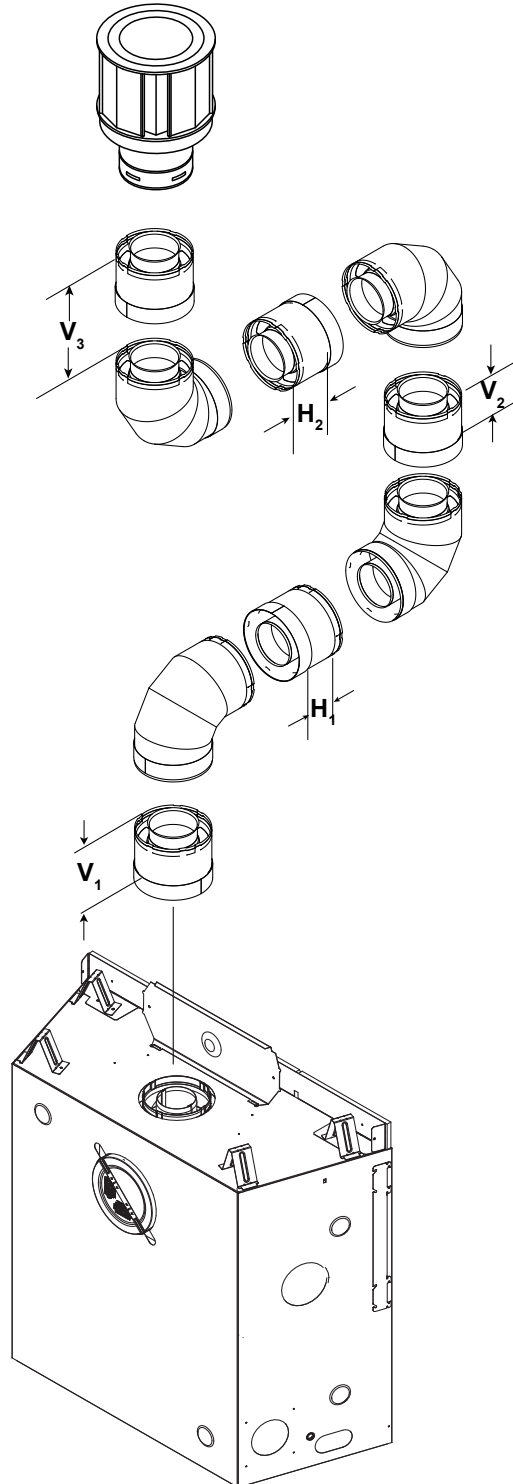
Figure 4.16

Top Vent - Vertical Termination - (continued)

Four 90° Elbows

Note: There **MUST** be a 25% reduction in total H when using flex vent except when using the simple up and out installation. See Figure 4.8.

| ALL MODELS | | | | | | | | | |
|---|--------|---------------------|-------|---------------------|-------|---------------------|-------|---------------------|-------|
| V ₁ Min. | | H ₁ Max. | | V ₂ Min. | | H ₂ Max. | | V ₃ Min. | |
| 1-1/2 ft. | 457 mm | 4 ft. | 1.2 m | 4 ft. | 1.2 m | 4 ft. | 1.2 m | 3-1/2 ft. | 1.0 m |
| $V_1 + V_2 + V_3 + H_1 + H_2$ Maximum = 40 ft. (12.2 m) | | | | | | | | | |



Note: Use SLP Series components only.

Figure 4.17

Rear Vent - Horizontal Termination

No Elbow

Note: Use DVP Series components only.

ALL MODELS
 $H_1 = 24 \text{ in. (610 mm)}$ Maximum

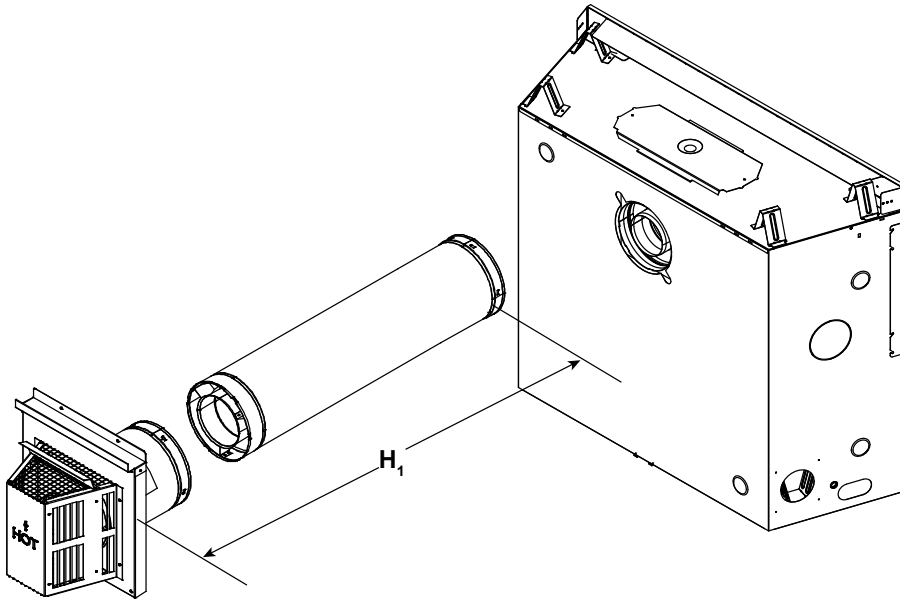


Figure 4.18

Two 90° Elbows

Note: Use DVP Series components only.

Must use two 90° elbows for corner installations. The use of two 90° elbows in a corner installation will affect space requirements. See Section 3.B. Use of 45° elbow not allowed.

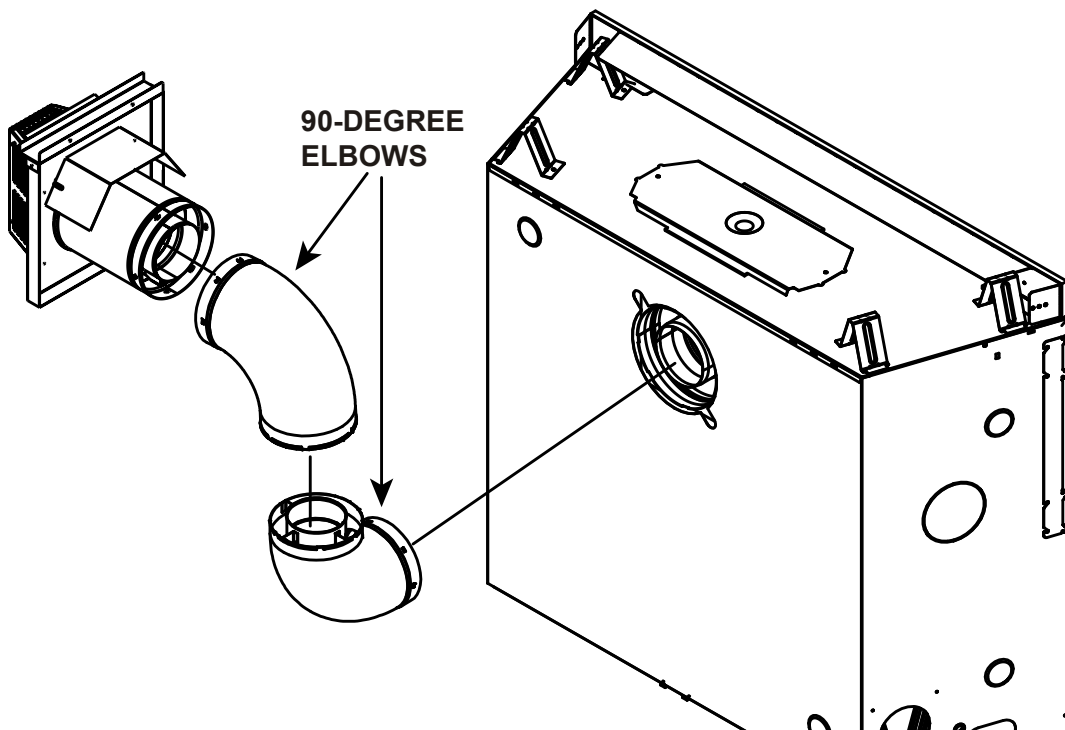


Figure 4.19

Rear Vent - Horizontal Termination - (continued)

Two Elbows

Note: Use DVP Series components only.

| ALL MODELS | | | | | | | |
|--|--------|------------------------|--------|----------------|--------|---|--------|
| H ₁ Maximum | | V ₁ Minimum | | H ₂ | | H ₁ + H ₂ Maximum | |
| 1-1/2 ft. | 457 mm | Back to Back Elbows | | 1 ft. | 305 mm | 2-1/2 ft. | 762 mm |
| 3-1/2 ft. | 1.1 m | 1 ft. | 305 mm | 3 ft. | 914 mm | 6-1/2 ft. | 2.0 m |
| 5-1/2 ft. | 1.7 m | 2 ft. | 610 mm | 5 ft. | 1.5 m | 10-1/2 ft. | 3.2 m |
| 7-1/2 ft. | 2.3 m | 3 ft. | 914 mm | 6-1/2 ft. | 2.1 m | 14 ft. | 4.3 m |
| H ₁ Maximum = 7-1/2 ft. (2.3 m) H ₁ + H ₂ Maximum = 14 ft. (4.3 m) V ₁ + H ₁ + H ₂ = 40 ft. (12.2 m) | | | | | | | |

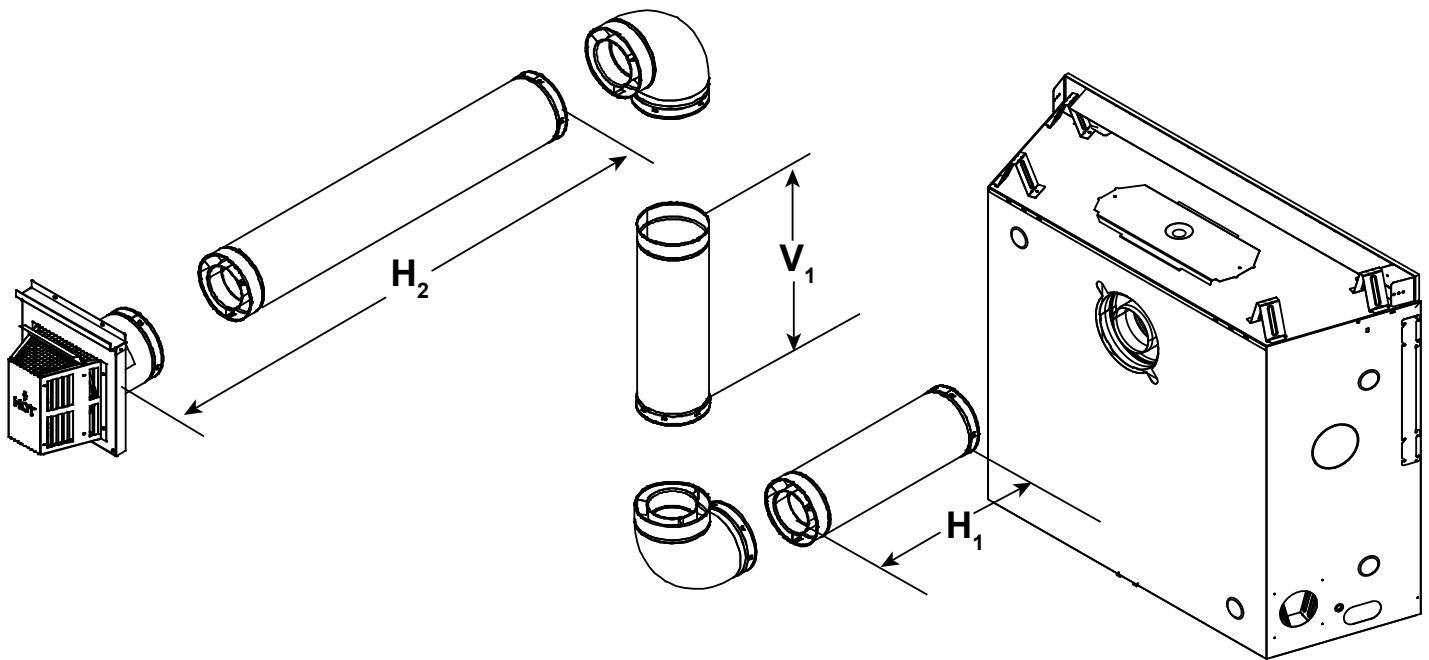


Figure 4.20

Rear Vent - Horizontal Termination - (continued)

Three Elbows

Note: Use DVP Series components only.

| ALL MODELS | | | | | | | |
|---|--------|------------------------|--------|---------------------------------|--------|--|--------|
| H ₁ Maximum | | V ₁ Minimum | | H ₂ + H ₃ | | H ₁ + H ₂ + H ₃ Maximum | |
| 1-1/2 ft. | 457 mm | Back to Back Elbows | | 1 ft. | 305 mm | 2-1/2 ft. | 762 mm |
| 3-1/2 ft. | 1.1 m | 1 ft. | 305 mm | 2 ft. | 610 mm | 5-1/2 ft. | 1.7 m |
| 5-1/2 ft. | 1.7 m | 2 ft. | 610 mm | 4 ft. | 1.2 m | 9-1/2 ft. | 2.9 m |
| 7-1/2 ft. | 2.3 m | 3 ft. | 914 mm | 6 ft. | 1.8 m | 13-1/2 ft. | 4.1 m |
| H ₁ Maximum = 7-1/2 ft. (2.3 m) H ₁ + H ₂ + H ₃ Maximum = 13-1/2 ft. (4.1 m) V ₁ + H ₁ + H ₃ = 40 ft. (12.2 m) | | | | | | | |

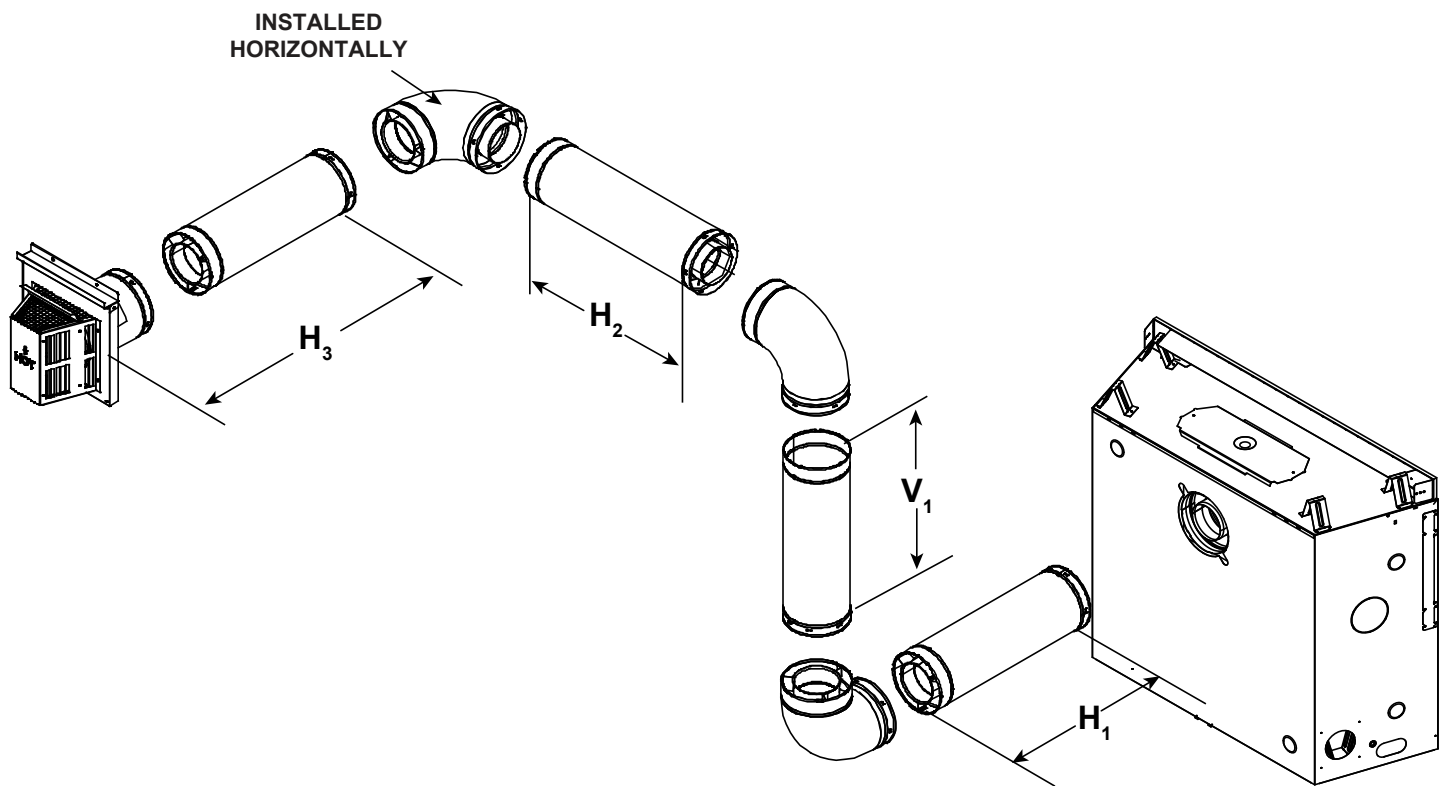
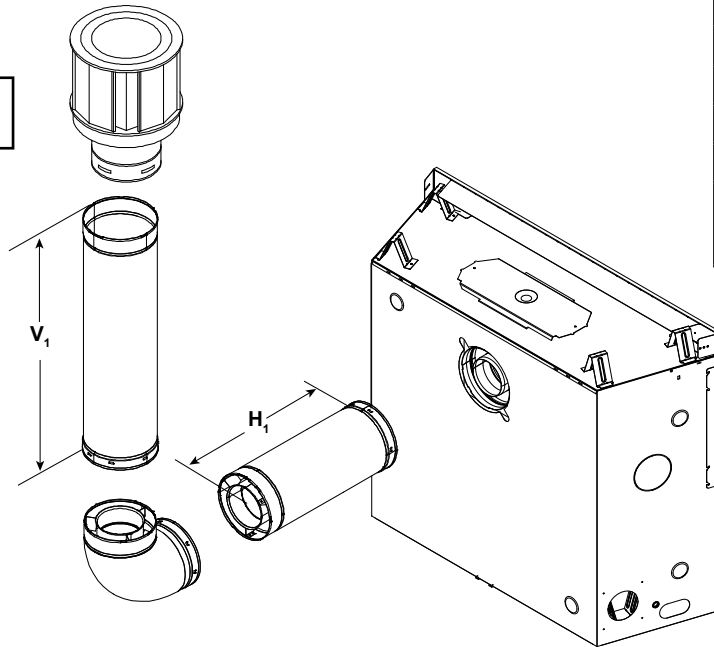


Figure 4.21

Rear Vent - Vertical Termination

One Elbow

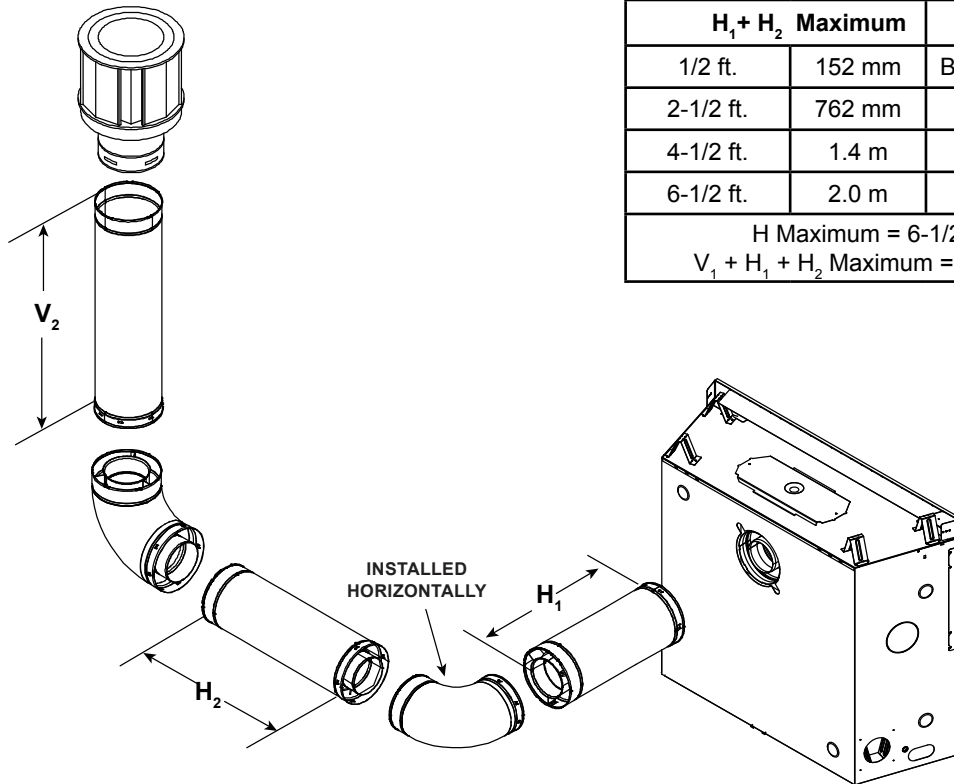
Note: Use DVP Series components only.



| ALL MODELS | | | |
|---------------------------------------|--------|---------------|--------|
| V_1 Minimum | | H_1 Maximum | |
| Elbow Only | | 1-1/2 ft. | 457 mm |
| 1 ft. | 305 mm | 3-1/2 ft. | 1.1 m |
| 2 ft. | 610 mm | 5-1/2 ft. | 1.7 m |
| 3 ft. | 914 mm | 7-1/2 ft. | 2.3 m |
| H_1 Maximum = 7-1/2 ft. (2.3 m) | | | |
| $V_1 + H_1$ Maximum = 40 ft. (12.2 m) | | | |

Figure 4.22

Two Elbows



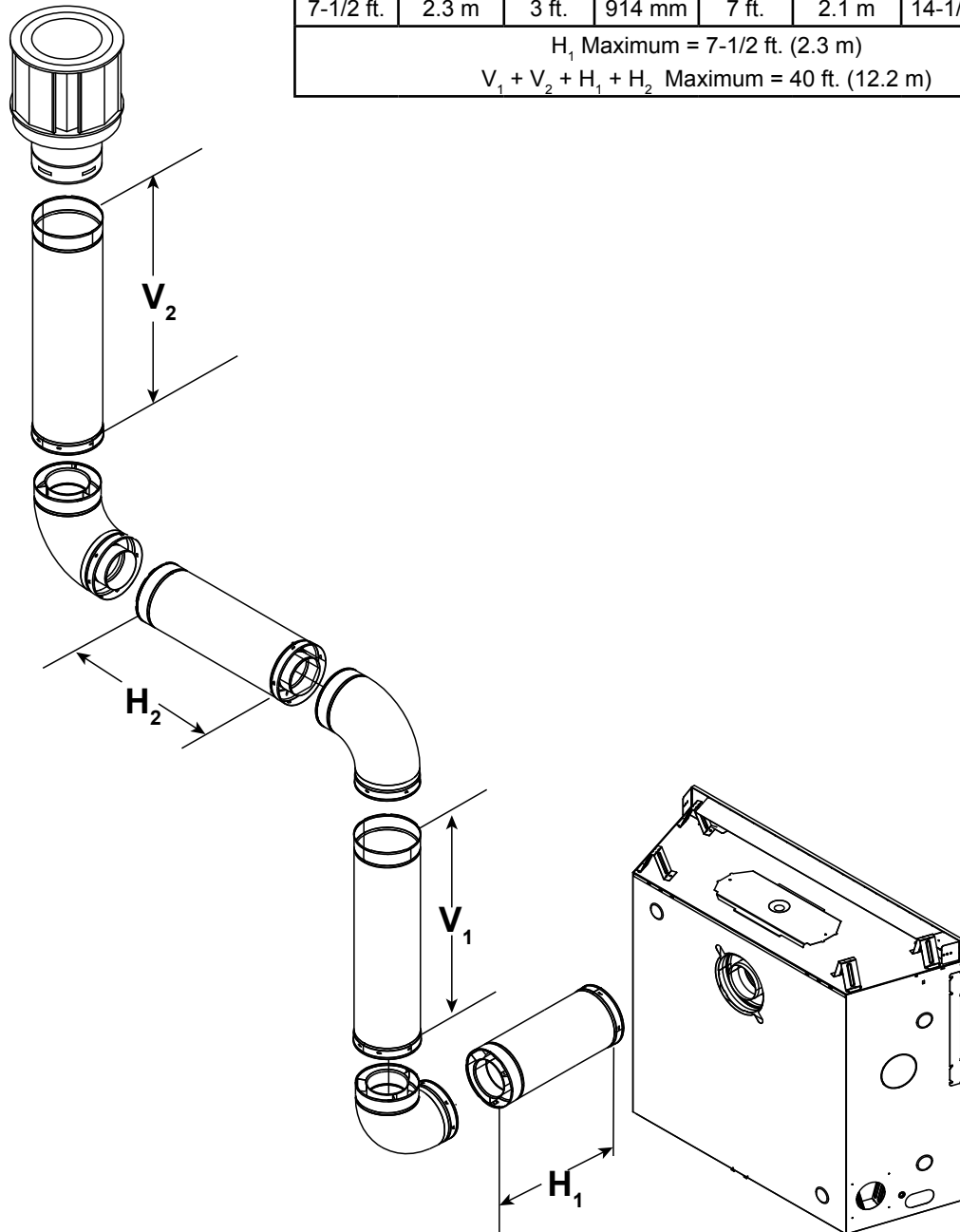
| ALL MODELS | | | |
|---|--------|---------------------|--------|
| $H_1 + H_2$ Maximum | | V_1 Minimum | |
| 1/2 ft. | 152 mm | Back to Back Elbows | |
| 2-1/2 ft. | 762 mm | 1 ft. | 305 mm |
| 4-1/2 ft. | 1.4 m | 2 ft. | 610 mm |
| 6-1/2 ft. | 2.0 m | 3 ft. | 914 mm |
| H Maximum = 6-1/2 ft. (2 m) | | | |
| $V_1 + H_1 + H_2$ Maximum = 40 ft. (12.2 m) | | | |

Figure 4.23

Rear Vent - Vertical Termination - (continued)

Three Elbows

Note: Use DVP Series components only.



| ALL MODELS | | | | | | | |
|---|--------|------------------------|--------|----------------|--------|---|--------|
| H ₁ Maximum | | V ₁ Minimum | | H ₂ | | H ₁ + H ₂ Maximum | |
| 1-1/2 ft. | 457 mm | Back to Back Elbows | | 1 ft. | 305 mm | 2-1/2 ft. | 762 mm |
| 3-1/2 ft. | 1.1 m | 1 ft. | 305 mm | 3 ft. | 914 mm | 6-1/2 ft. | 2.0 m |
| 5-1/2 ft. | 1.2 m | 2 ft. | 610 mm | 5 ft. | 1.5 m | 10-1/2 ft. | 3.2 m |
| 7-1/2 ft. | 2.3 m | 3 ft. | 914 mm | 7 ft. | 2.1 m | 14-1/2 ft. | 4.4 m |
| H ₁ Maximum = 7-1/2 ft. (2.3 m) V ₁ + V ₂ + H ₁ + H ₂ Maximum = 40 ft. (12.2 m) | | | | | | | |

Figure 4.24

Coaxial to Colinear Venting

The coaxial to colinear adapter (DV-46DVA-GCL) is approved for installations into solid fuel masonry or factory built fireplaces that have been installed in accordance with the National, Provincial, State and local building codes. The DV-46DVA-GCL must be recessed into existing masonry fireplace. See Table 1 and Figure 4.25

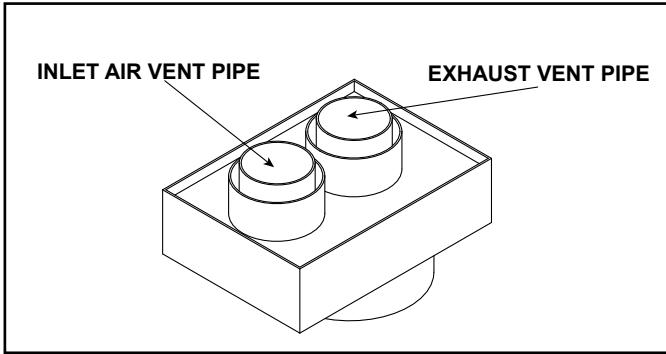


Figure 4.25. Coaxial/Colinear Appliance Connector

WARNING! Risk of Fire! Coaxial to colinear venting configuration may only be used in existing non-combustible chimney. Installation in any other venting application could cause fire.

Prior to installing the gas appliance:

- Have the chimney and adjacent structure inspected and cleaned by qualified professionals. Hearth & Home Technologies recommends that NFI or CSIA certified professionals, or technicians under the direction of certified professionals, conduct a minimum of a NFPA 211 Level 2 inspection of the chimney.
- Replace component parts of the chimney and fireplace as specified by the professionals.
- Ensure all joints are properly engaged and the chimney is properly secured.

Table 1

| CLEARANCE TO COMBUSTIBLES REQUIREMENTS | |
|--|-------|
| DV-46DVA-GCL | 3 IN. |
| Exhaust Vent Pipe | 5 IN. |

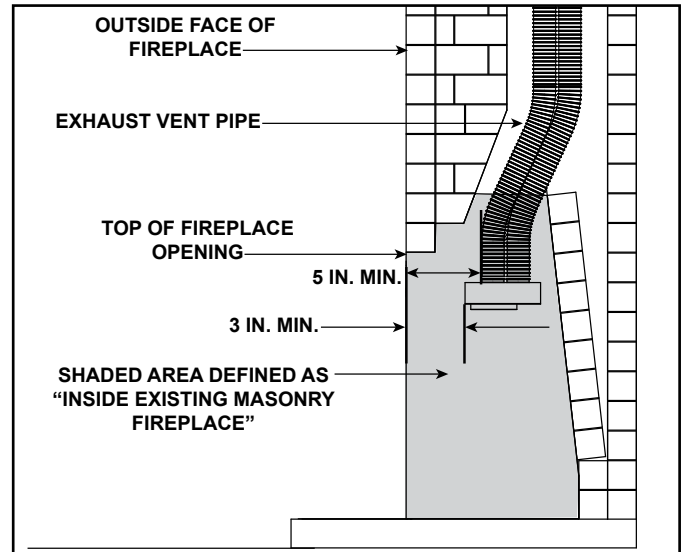


Figure 4.26. Existing Fireplace DV-46DVA-GCL Clearance Requirements

Clearances to Combustibles:

Refer to Section 3 for clearances to the appliance, mantel, mantel legs and wall projection.

Refer to Section 5 for pipe clearances to combustibles.

Termination Cap

For installation of termination cap see minimum vent heights for various pitched roofs. See Section 4.A.

Flue Damper

Fully lock the solid fuel fireplace's flue damper in the open position, OR completely remove it.

Venting Components

The LINK-DV30B is approved for use with the coaxial/colinear venting application. The LINK-DV30B kit includes:

- Two 30 foot sections of flexible vent pipe (3 inches Ø). One section is used to draw combustion air and the other section is used to expel exhaust gases.
- One vertical termination cap.

CAUTION! DO NOT use any flue restrictor when venting with the DV-46DVA-GCL adapter and LINK-DV30B kit. This could result in poor flame appearance, sooting, pilot malfunction, or overheating.

Connecting the DV-46DVA-GCL Adapter to Appliance

Top Vent

- Remove top seal cap and insulation if equipped. See Section 6, "Appliance Preparation." Attach the DV-46DVA-GCL adapter to the appliance starting collar with 3-1/2 in. self-tapping screws. See Figure 4.27.

Rear Vent

- Remove the rear seal cap and insulation if equipped. Connect the DVP-2SL adapter to the vertically positioned elbow. Follow installation instructions included with DVP-2SL kit. Secure DV-46DVA-GCL adapter to DVP-2SL with 3-1/2 in. self-tapping screws. See Figure 4.27.

Connecting the LINK-DV30B to the DV-46DVA-GCL adapter

- Insert the two sections of flexible vent pipe down the existing chimney.
- Attach one section of stainless steel flex pipe to the exhaust collar on top of the DV-46DVA-GCL adapter with three screws.

- Attach one section of flexible vent pipe to the stainless steel flex pipe with three self-tapping screws.
- Attach one section of flexible vent pipe to the inlet collar on top of the DV-46DVA-GCL adapter with three self-tapping screws.
- To minimize cold air drafts, seal around the flex vents at the damper inside the chimney with non-combustible unfaced fiberglass or rock wool insulation.

The DV-46DVA-GCL adapter must be recessed into existing masonry fireplace. This measurement is taken from the top of the fireplace opening. See Table 1 and Figure 4.26.

WARNING! Risk of Fire, Explosion or Asphyxiation!
Do NOT connect this gas appliance to a chimney flue serving a separate solid fuel or gas burning appliance.

- Could impair safe operation of this appliance or other appliances connected to the flue.
- Vent this appliance directly outside.
- Use separate vent system for this appliance.

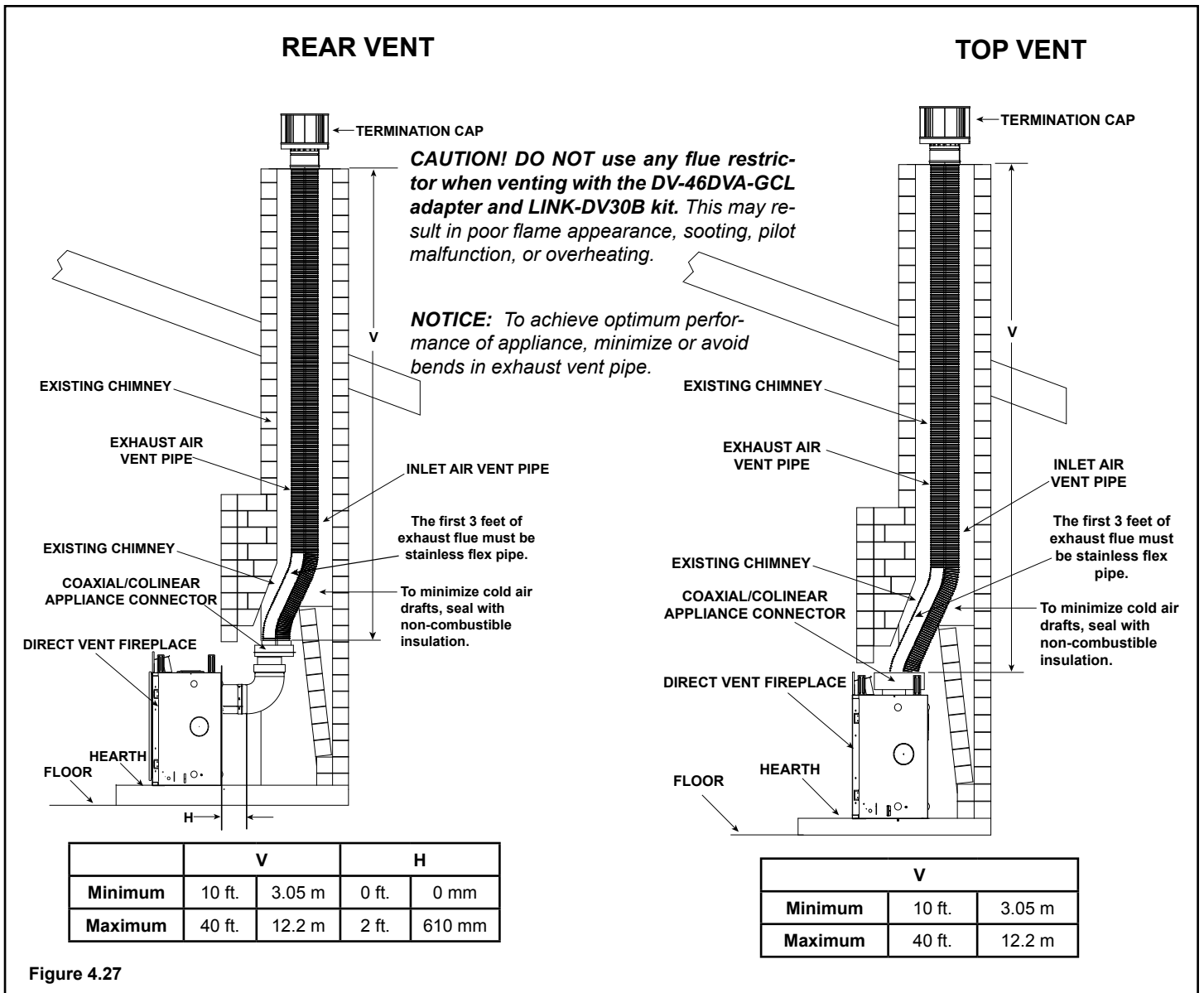


Figure 4.27

5 Vent Clearances and Framing

A. Pipe Clearances to Combustibles

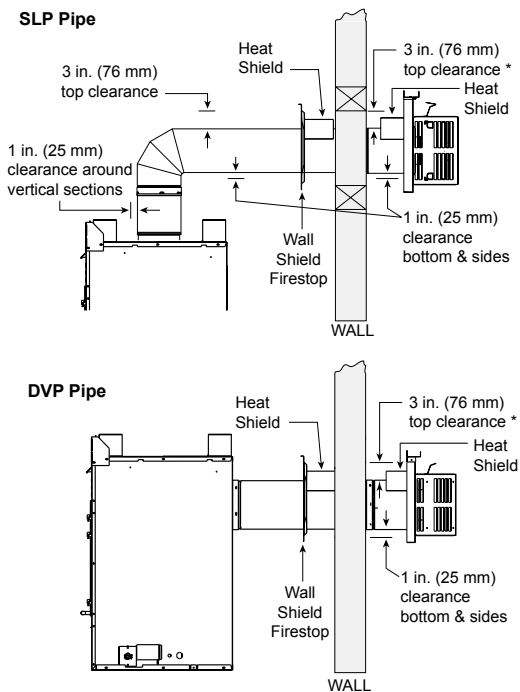
WARNING! Risk of Fire! Maintain air space clearance to vent. DO NOT pack insulation or other combustibles:

- Between ceiling firestops
- Between wall shield firestops
- Around vent system

Failure to keep insulation or other material away from vent pipe could cause overheating and fire.

Note: Heat shields MUST overlap by a minimum of 1-1/2 in. (38 mm).
• **DVP heat shield** - designed to be used on a wall 4 in. to 7-1/4 in. (102 mm to 184 mm) thick.
• If wall thickness is less than 4 in. the existing heat shields must be field trimmed. If wall thickness is greater than 7-1/4 in. a DVP-HSM-B will be required.
• **SLP heat shield** - designed to be used on a wall 4-3/8 in. to 7-5/8 in. (111 mm to 194 mm) thick.
• If wall thickness is less than 4-3/8 the existing heat shields must be field trimmed. If wall thickness is greater than 7-5/8 in. a DVP-HSM-B will be required.

(DVP-SLP Pipe Shown)



* When using SLP pipe, minimum clearances from the vent pipe to combustible materials at inside wall firestops are:
Top: 2-1/2 in. (64 mm)
Bottom: 1/2 in. (13 mm)
Sides: 1 in. (25 mm)

Figure 5.1 Horizontal Venting Clearances To Combustible Materials - Generic Fireplace Shown

B. Wall Penetration Framing/Firestops

Combustible Wall Penetration

Whenever a combustible wall is penetrated, you must frame a hole for the wall shield firestop(s). The wall shield firestop maintains minimum clearances and prevents cold air infiltration.

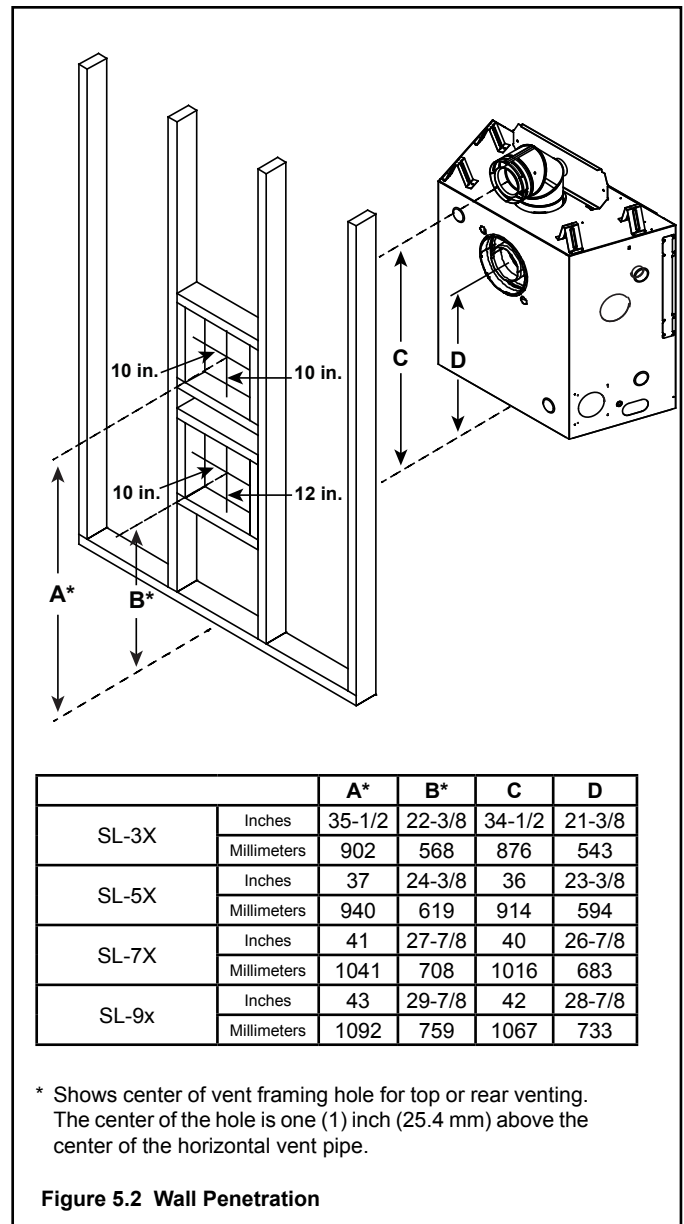
These clearances are maintained by using an SLP-WS (SLP pipe) or DVP-WS (DVP pipe). See Figure 5.2 for framing instructions.

- For external walls: The wall shield firestop is included with the termination cap assembly.
- For internal walls: A wall shield firestop must be purchased and installed.
- The opening must be framed on all four sides using the same size framing materials as those used in the wall construction.
- SLP pipe - A wall shield firestop must be placed on each side of an interior wall. A minimum 1-1/2 in. (38 mm) overlap of attached heat shields must be maintained.
- DVP pipe - A wall shield firestop is required on one side only on interior walls. If your local inspector requires a wall shield firestop on both sides, then both wall shield firestops must have a heat shield (refer to Section 12.A.) attached to them.
- See Section 7.F. for information for regarding the installation of a horizontal termination cap.

Non-Combustible Wall Penetration

If the hole being penetrated is surrounded by non-combustible materials such as concrete, a hole with diameter one inch greater than the pipe is acceptable.

Whenever a non-combustible wall is penetrated, the wall shield firestop is only required on one side and no heat shield is necessary.



C. Ceiling Firestop/Floor Penetration Framing

A ceiling firestop **MUST** be used between floors and attics.

- **DVP pipe only** - Frame an opening 10 in. by 10 in. (254 mm by 254 mm) whenever the vent penetrates a ceiling/floor (see Figure 5.3).
- **SLP pipe only** - Frame opening 9 in. x 9 in. (229 mm x 229 mm) whenever the vent penetrates a ceiling/floor (see Figure 5.3).
- Frame the area with the same sized lumber as used in ceiling/floor joist.
- The ceiling firestop may be installed above or below the ceiling joists when installed with an attic insulation shield. It must be under joists between floors that are not insulated. Refer to Figure 5.4.
- Secure in place with nails or screws.

WARNING! Risk of Fire! DO NOT pack insulation around the vent. Insulation must be kept back from the pipe to prevent overheating.

D. Install Attic Insulation Shield

WARNING! Fire Risk. DO NOT allow loose materials or insulation to touch vent. Hearth & Home Technologies requires the use of an attic shield.

The International Fuel Gas Code requires an attic shield constructed of 26 gauge minimum steel that extends at least 2 in. (51 mm) above insulation.

- Attic insulation shields must meet specified clearances to combustible materials and be secured in place.
- An attic insulation shield kit is available from Hearth & Home Technologies. Contact your dealer to order. Install attic insulation shield according to instructions included with kit.

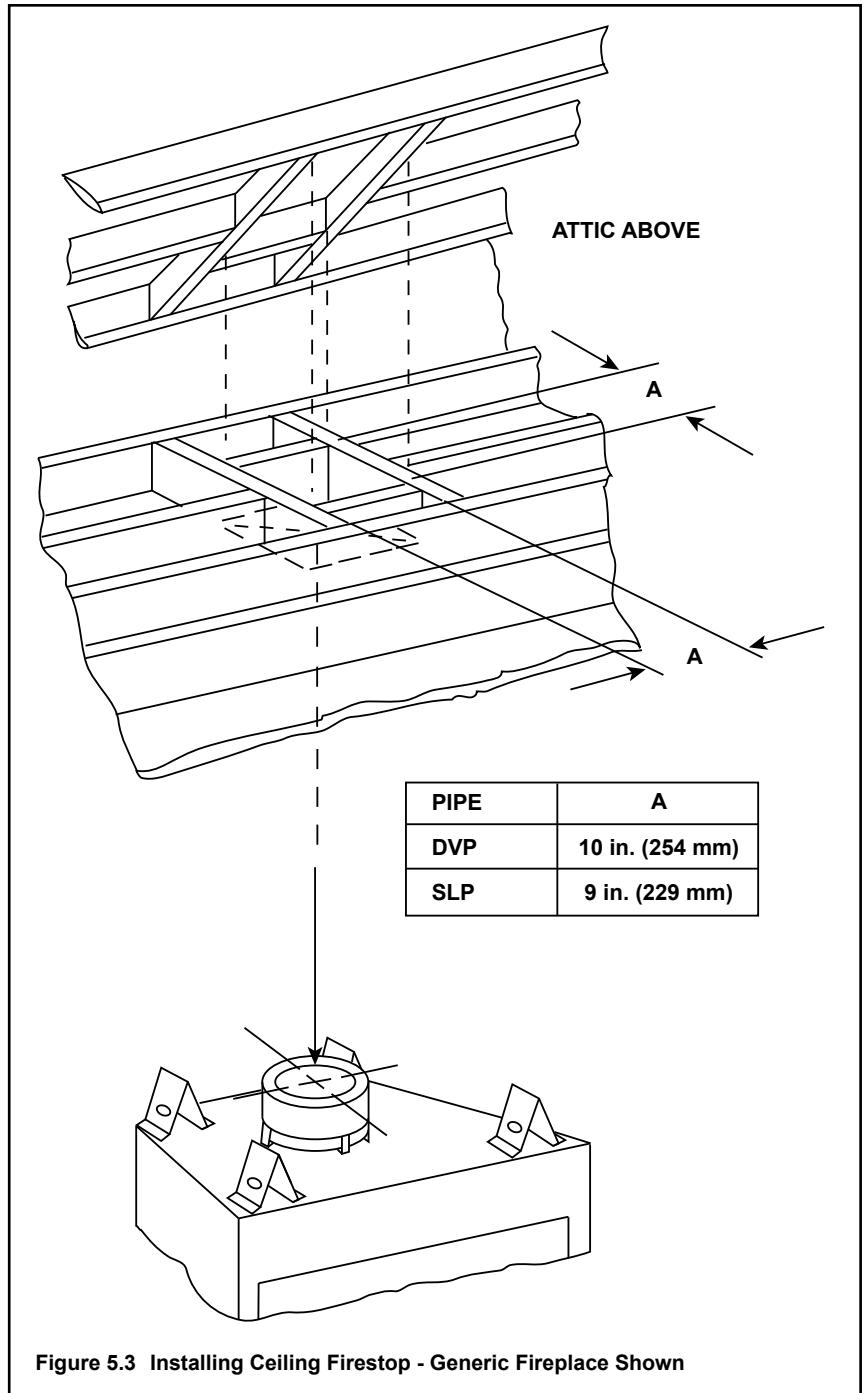


Figure 5.3 Installing Ceiling Firestop - Generic Fireplace Shown

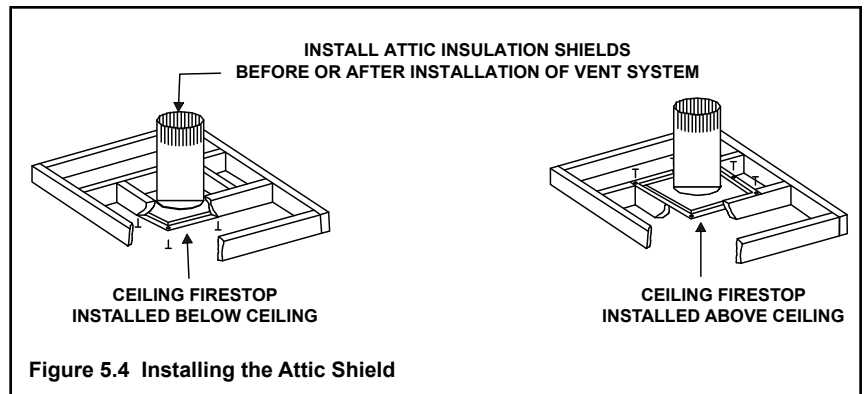


Figure 5.4 Installing the Attic Shield

6 Appliance Preparation

A. Vent Collar Preparation

CAUTION! Risk of Cuts, Abrasions or Flying Debris. Wear protective gloves and safety glasses during installation. Sheet metal edges are sharp.

NOTICE: Once appliance is set up for top or rear venting, it CANNOT be changed at a later time.

Top Vent



Figure 6.1 For top vent, remove the two screws holding the top heat shield in place. For rear vent, see next page.

WARNING! Risk of Fire! Do not remove heat shield. Elevated header temperatures may cause a fire.



Figure 6.2 Rotate the top heat shield to the vertical position as shown above. The heat shield must remain in the vertical position.

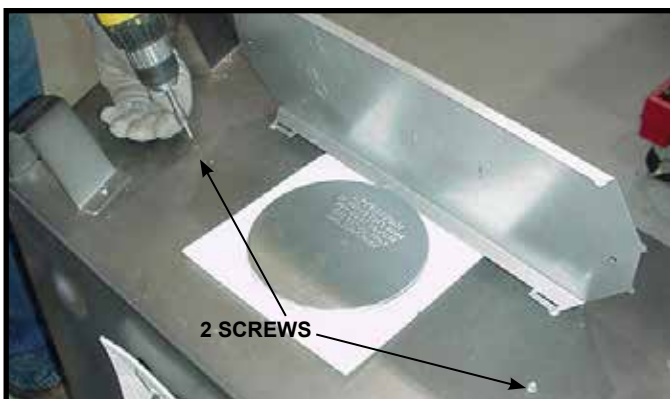


Figure 6.3 Replace the two screws as shown.

Note: Actual unit may look different than the fireplace shown in this section.



Figure 6.4 Remove the seal cap.



Figure 6.5 Remove the insulation basket and white insulation from the center vent pipe.



Figure 6.6 Remove the insulation from the outer vent pipe.



Figure 6.7 To attach the first section of vent pipe, make sure to use the fiberglass gasket to seal between the first vent component and the outer fireplace wrap. Use 2 self tapping screws to secure the gasket to the outer wrap.

Note: Once the seal cap has been removed, it cannot be reattached.

Rear Vent

NOTICE: Once appliance is set up for top or rear venting, it CANNOT be changed at a later time.



Figure 6.8 (Generic Fireplace Shown) Fold the tabs toward the center of the fire plug (90°) and remove the insulation gasket.



Figure 6.9 (Generic Fireplace Shown) Cut the metal retaining band and fold the sides out.

NOTICE: Once the seal cap has been removed it CANNOT be reattached.



Figure 6.10 (Generic Fireplace Shown) Fold the center parts of the retaining band out and use to remove the seal cap.



Figure 6.11 (Generic Fireplace Shown) Discard the seal cap, remove and discard the insulation basket. Note: Once the seal cap has been removed it CANNOT be reattached.



Figure 6.12 (Generic Fireplace Shown) Attach the first vent section (it will snap into place). Slide the insulation gasket onto the vent section, up against the appliance and over the tabs. Use two self-tapping screws to secure gasket to outer wrap.

B. Installing the Optional Heat-Zone® Gas Kit

NOTICE: Additional clearances are required for Heat-Zone® installations. Provisions must be made in advance to ensure fit within the framing.

- Locate the Heat-Zone® ports on the left and right sides of the appliance. Either one or two Heat-Zones® may be installed. See Figure 6.13. Remove the knockout(s) from the appliance with a tin snips.
- Center the duct collar around the exposed hole and attach it to the appliance with 3 screws. Note: Do this BEFORE final positioning of the appliance.
- Determine the location for the air register/fan housing assembly.

Reference the Heat-Zone® Gas Kit instructions for the remaining installation steps.

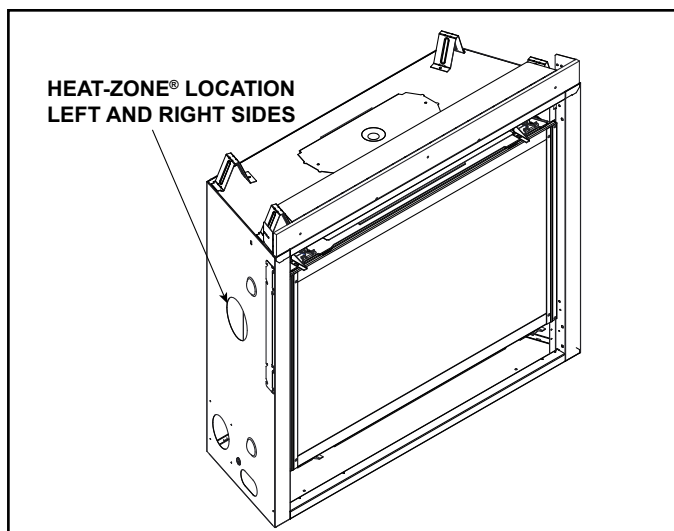


Figure 6.13 Heat-Zone® Locations

C. Securing and Leveling the Appliance

WARNING! Risk of Fire! Prevent contact with:

- Sagging or loose insulation
- Insulation backing or plastic
- Framing and other combustible materials

Block openings into the chase to prevent entry of blown-in insulation. Make sure insulation and other materials are secured.

DO NOT notch the framing around the appliance standoffs.

Failure to maintain air space clearance could cause overheating and fire.

The diagram shows how to properly position and secure the appliance. See Figure 6.14. Nailing tabs are provided to secure the appliance to the framing members.

- Bend out nailing tabs on each side.
- Place the appliance into position.
- Keep nailing tabs flush with the framing.
- Plum, square and level the appliance from side to side and front to back.

- Shim the appliance as necessary, keeping the bottom supported, level and straight. It is acceptable to use wood shims underneath the appliance.
- Place a level on top, sides and bottom as shown in Figure 6.14.
- Secure the appliance to the framing by using nails or screws through the nailing tabs.
- Optional: Secure the appliance to the floor by inserting two screws through the pilot holes at the bottom of the appliance.

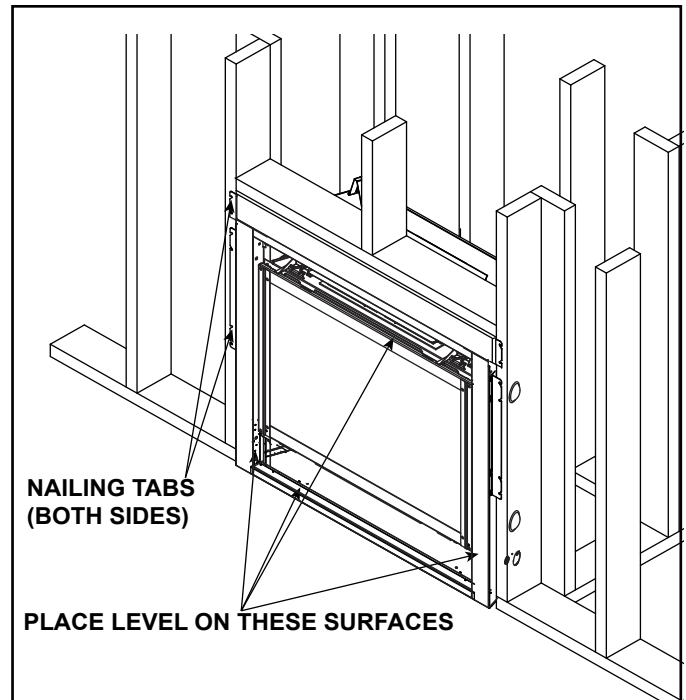


Figure 6.14 Proper Positioning and Securing of an Appliance

D. Non-Combustible Material

WARNING! Risk of Fire! DO NOT remove factory-installed non-combustible material.

A non-combustible board is factory-installed above the fireplace opening. Do not remove.

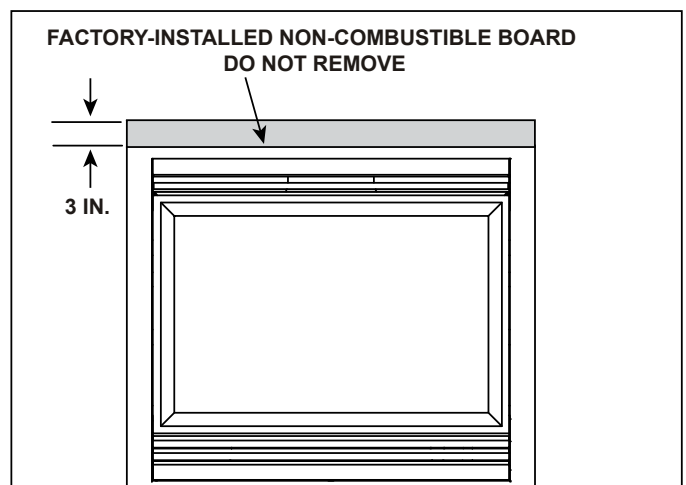


Figure 6.15 Facing Materials

7 Venting and Chimneys

A. Assemble Vent Sections

(DVP Pipe Only)

Attach Vent to the Firebox Assembly

Note: The end of the pipe sections with the lanced tabs will face toward the appliance.

Attach the first pipe section to the starting collar:

- Lanced pipe end of the starting collar.
- Inner pipe over inner collar.
- Push the pipe section until all lanced tabs snap in place.
- Lightly tug on pipe to confirm it has locked.

Required Commercial, Multi-family (Multi-level exceeding two stories), or High-Rise Applications

All outer pipe joints must be sealed with 100% silicone (300 °F minimum continuous exposure rating), including the slip section that connects directly to the horizontal termination cap.

- Apply a bead of silicone sealant (300 °F minimum continuous exposure rating) inside the female outer pipe joint prior to joining sections. See Figure 7.1. **OR**

Apply a bead of silicone sealant (300 °F minimum continuous exposure rating) to the outside of connecting joint after joining sections **OR**

Apply aluminum foil tape (300 °F minimum continuous exposure rating) to the outside of connecting joint after joining sections. On horizontal pipe runs, it is recommended that the tape seam is positioned on the bottom side of the vent pipe.

- Only outer pipes need to be sealed. All unit collar, pipe, slip section, elbow and cap outer flues shall be sealed in this manner, unless otherwise stated.

WARNING! Risk of Fire or Explosion! DO NOT break silicone seals on slip sections. Use care when removing termination cap from slip pipe. If slip section seals are broken during removal of the termination cap, vent could leak.

Assemble Pipe Sections

Per Figure 7.2:

- Start the inner pipe on the lanced end of section A into the flared end of section B.
 - Start the outer pipe of section A over the outer pipe of section B.
 - Once both vents sections are started, push firmly until all lanced tabs lock into place.
 - Lightly tug on the pipe to confirm the tabs have locked.
- It is acceptable to use screws no longer than 1/2 in. (13 mm) to hold outer pipe sections together. If predrilling holes, **DO NOT** penetrate inner pipe.

For 90° and 45° elbows that are changing the vent direction from horizontal to vertical, one screw minimum should be put in the outer flue at the horizontal elbow joint to prevent the elbow from rotating. Use screws no longer than 1/2 in. (13 mm). If predrilling screw holes, **DO NOT** penetrate inner pipe.

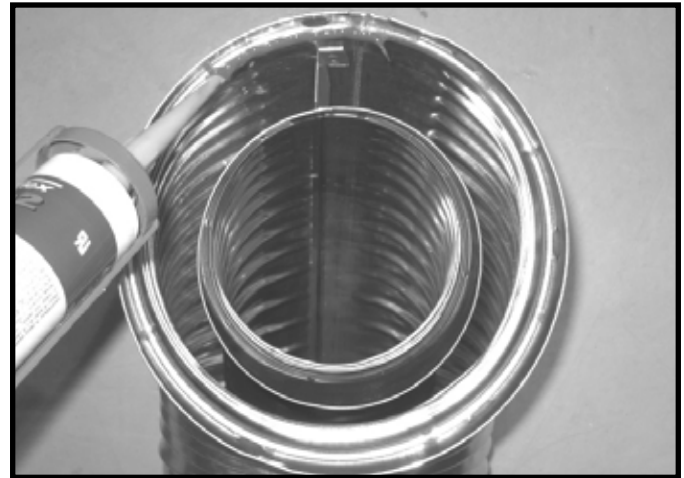


Figure 7.1 High Temperature Silicone Sealant

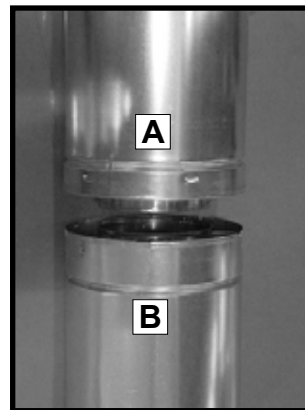


Figure 7.2

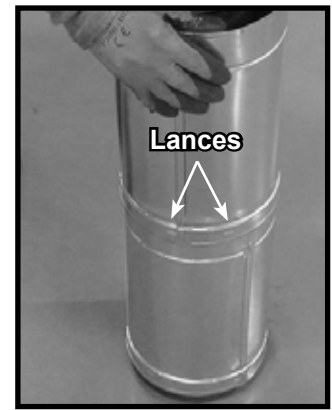
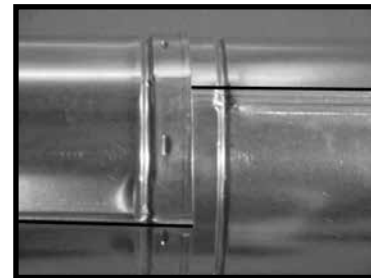
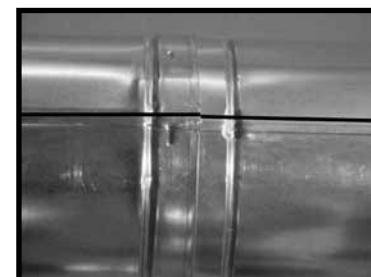


Figure 7.3

Note: Make sure that the seams are not aligned to prevent unintentional disconnection.



CORRECT



INCORRECT

Figure 7.4 Seams

Assemble Vent Sections

(SLP Only)

To attach the first vent component to the starting collars of the appliance:

- Lock the vent components into place by sliding the pipe section onto the collar.
- Align the seam of the pipe and seam of collar to allow engagement. Rotate the vent component to lock into place. Use this procedure for all vent components. See Figure 7.5.
- Slide the gasket over the first vent section and place it flush to the appliance. This will prevent cold air infiltration. Caulk with a minimum of 300 °F continuous exposure rating may be used to hold the part in place.
- Continue adding vent components, locking each succeeding component into place.
- Ensure that each succeeding vent component is securely fitted and locked into the preceding component.

Required Commercial, Multi-family (Multi-level exceeding two stories), or High-Rise Applications

All outer pipe joints must be sealed with 100% silicone (300 °F minimum continuous exposure rating), including the slip section that connects directly to the horizontal termination cap.

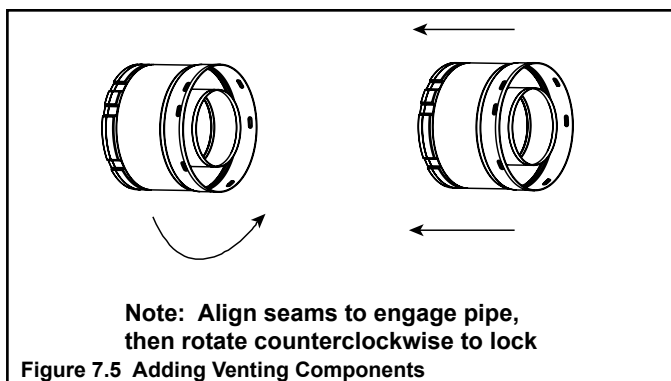
- Apply a bead of silicone sealant (300 °F minimum continuous exposure rating) inside the female outer pipe joint prior to joining sections. See Figure 7.1. **OR**

Apply a bead of silicone sealant (300 °F minimum continuous exposure rating) to the outside of connecting joint after joining sections **OR**

Apply aluminum foil tape (300 °F minimum continuous exposure rating) to the outside of connecting joint after joining sections. On horizontal pipe runs, it is recommended that the tape seam is positioned on the bottom side of the vent pipe.

- Only outer pipes need to be sealed. All unit collar, pipe, slip section, elbow and cap outer flues shall be sealed in this manner, unless otherwise stated.

WARNING! Risk of Fire or Explosion! DO NOT break silicone seals on slip sections. Use care when removing termination cap from slip pipe. If slip section seals are broken during removal of the termination cap, vent could leak.



B. Assemble Slip Sections

- Slide the inner flue of the slip section into the inner flue of the pipe section and the outer flue of the slip section over the outer flue of the pipe section. See Figure 7.6.
- Slide together to the desired length.

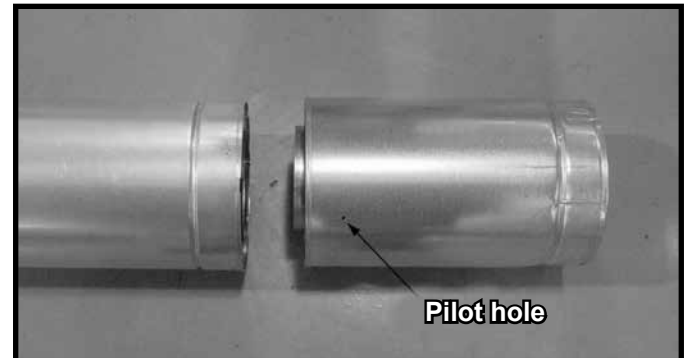


Figure 7.6 Slip Section Pilot Holes

- Maintain a 1-1/2 in. (38 mm) overlap between the slip section and the pipe section.
- Secure the pipe and slip section with two screws no longer than 1/2 in. (13 mm), using the pilot holes in the slip section. See Figure 7.7.

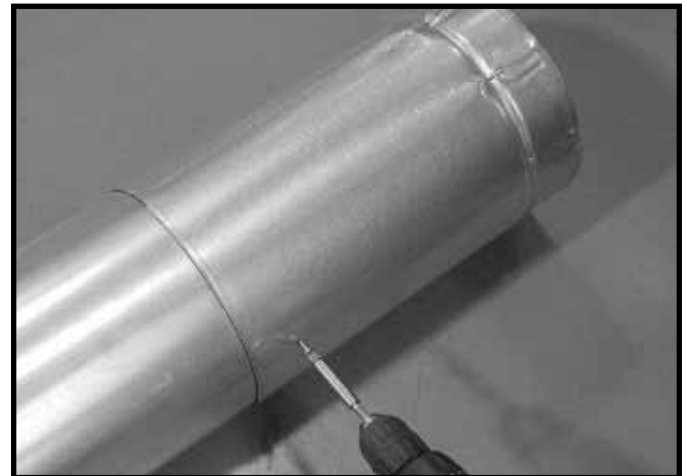


Figure 7.7 Screws into Slip Section

- Continue adding pipe as necessary following instructions in "Assembling Pipe Sections."

NOTICE: If slip section is too long, the inner and outer flues of the slip section can be cut to the desired length.

NOTICE: When installing a vent system with an HRC termination cap, all pipe system joints shall be sealed using a high temperature silicone sealant (300 °F minimum continuous exposure rating).

- Apply a bead of silicone sealant (300 °F minimum continuous exposure rating) inside the female outer pipe joint prior to joining sections.
- Only outer pipes are sealed, sealing the inner flue is not required.
- All unit collar, pipe, slip section, elbow and cap outer flues shall be sealed.

C. Secure the Vent Sections

- Vertical runs originating off the top of the appliance, with no offsets, must be supported every 8 ft. (2.44 m) after the maximum allowed 25 ft. (7.62 m) of unsupported rise.
- Vertical runs originating off the rear of the appliance, or after any elbow, must be supported every 8 ft. (2.44 m).
- Horizontal runs must be supported every 5 feet (1.52 m).
- Vent supports or plumbers strap (spaced 120° apart) may be used to support vent sections. See Figures 7.8 and 7.9.
- Wall shield firestops may be used to provide horizontal support to vent sections.
- SLP ceiling firestops have tabs that may be used to provide vertical support.

WARNING! Risk of Fire, Explosion or Asphyxiation! Improper support could allow vent to sag and separate. Use vent run supports and connect vent sections per installation instructions. **DO NOT** allow vent to sag below connection point to appliance.

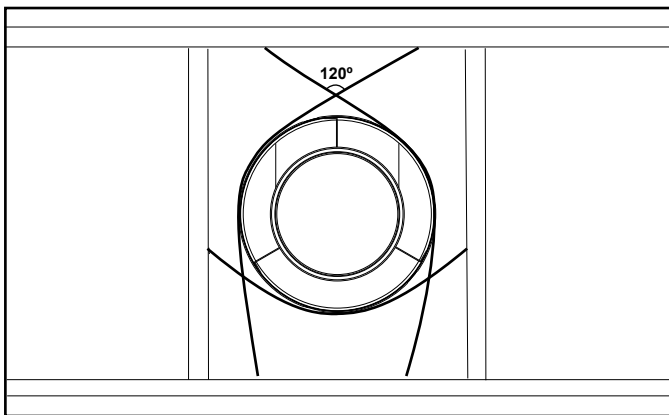


Figure 7.8 Securing Vertical Pipe Sections

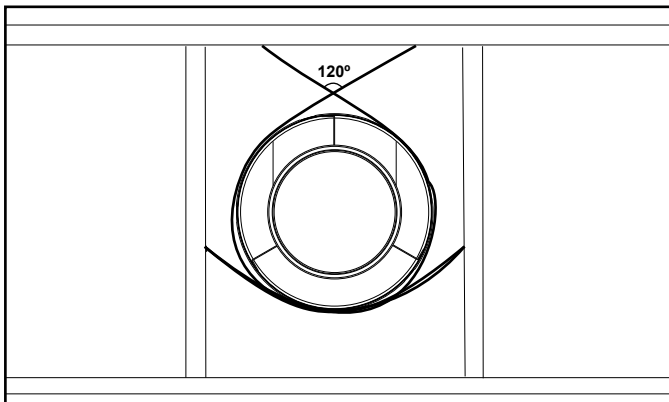


Figure 7.9 Securing Horizontal Pipe Sections

D. Disassemble Vent Sections

- Rotate either section (see Figure 7.10) so the seams on both pipe sections are aligned as shown in Figure 7.11.
- Pull carefully to separate the pieces of pipe.

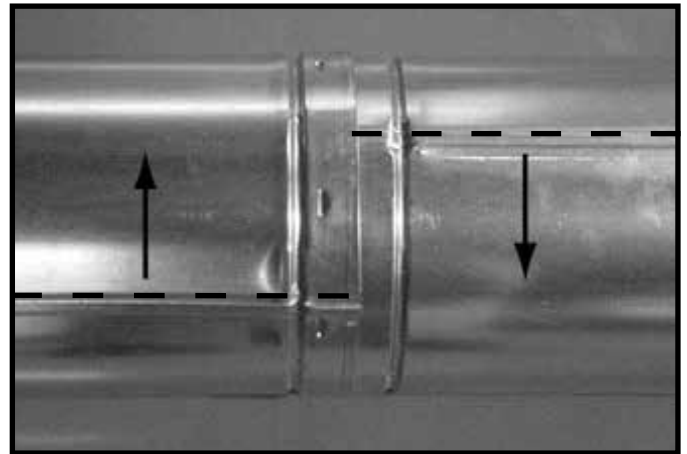


Figure 7.10 Rotate Seams for Disassembly

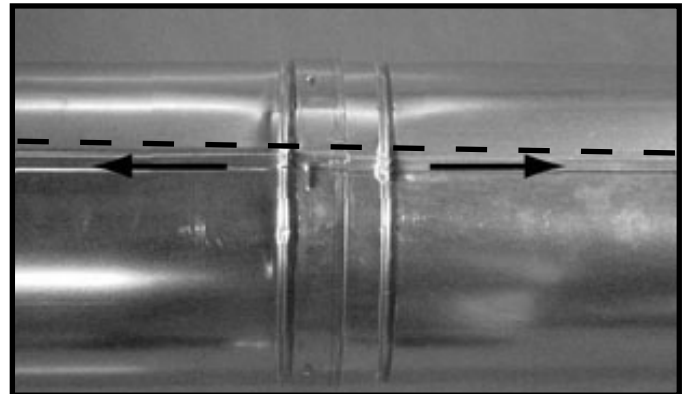
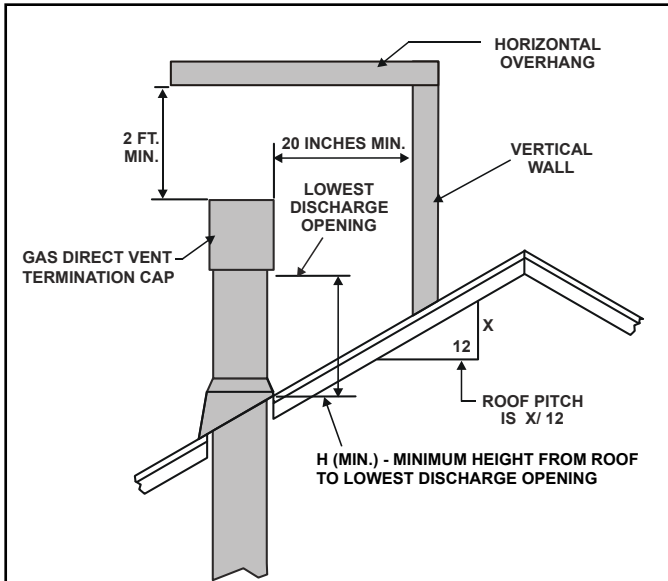


Figure 7.11 Align and Disassemble Vent Sections

E. Vertical Termination Requirements

Install Metal Roof Flashing

- See minimum vent heights for various pitched roofs (Figure 7.12) to determine the length of pipe to extend through the roof.
- Slide the roof flashing over the pipe sections extending through the roof as shown in Figure 7.13.



| <u>Roof Pitch</u> | <u>H (Min.) Ft.</u> |
|--------------------------|---------------------|
| Flat to 6/12..... | 1.0* |
| Over 6/12 to 7/12..... | 1.25* |
| Over 7/12 to 8/12..... | 1.5* |
| Over 8/12 to 9/12..... | 2.0* |
| Over 9/12 to 10/12..... | 2.5* |
| Over 10/12 to 11/12..... | 3.25 |
| Over 11/12 to 12/12..... | 4.0 |
| Over 12/12 to 14/12..... | 5.0 |
| Over 14/12 to 16/12..... | 6.0 |
| Over 16/12 to 18/12..... | 7.0 |
| Over 18/12 to 20/12..... | 7.5 |
| Over 20/12 to 21/12..... | 8.0 |

* H minimum may vary depending on regional snowfall. Refer to local codes.

Figure 7.12 Minimum Height From Roof to Lowest Discharge Opening

NOTICE: Failure to properly caulk the roof flashing and pipe seams could permit entry of water.

- Caulk the gap between the roof flashing and the outside diameter of the pipe.
- Caulk the perimeter of the flashing where it contacts the roof surface. See Figure 7.13.
- Caulk the overlap seam of any exposed pipe sections that are located above the roof line.

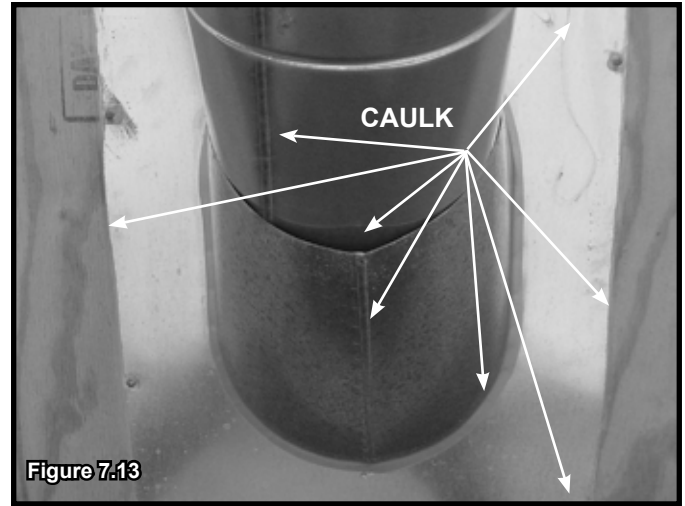


Figure 7.13

Assemble and Install Storm Collar

CAUTION! Risk of Cuts, Abrasions or Flying Debris. Wear protective gloves and safety glasses during installation. Sheet metal edges are sharp.

- Slide the storm collar onto the exposed pipe section and align brackets.
- Insert a bolt (provided) through the brackets and install nut. Do not completely tighten.



Figure 7.14 insert Bolt into Brackets

- Slide the assembled storm collar down the pipe section until it rests on the roof flashing (see Figure 7.14).
- Tighten nut and make sure the collar is tight against the pipe section.
- Caulk around the top of the storm collar. See Figure 7.15.

Install Vertical Termination Cap

- Attach the vertical termination cap by sliding the inner collar of the cap into the inner flue of the pipe section while placing the outer collar of the cap over the outer flue of the pipe section.
- Secure the cap by driving three self-tapping screws (supplied) through the pilot holes in the outer collar of the cap into the outer flue of the pipe (see Figure 7.15).

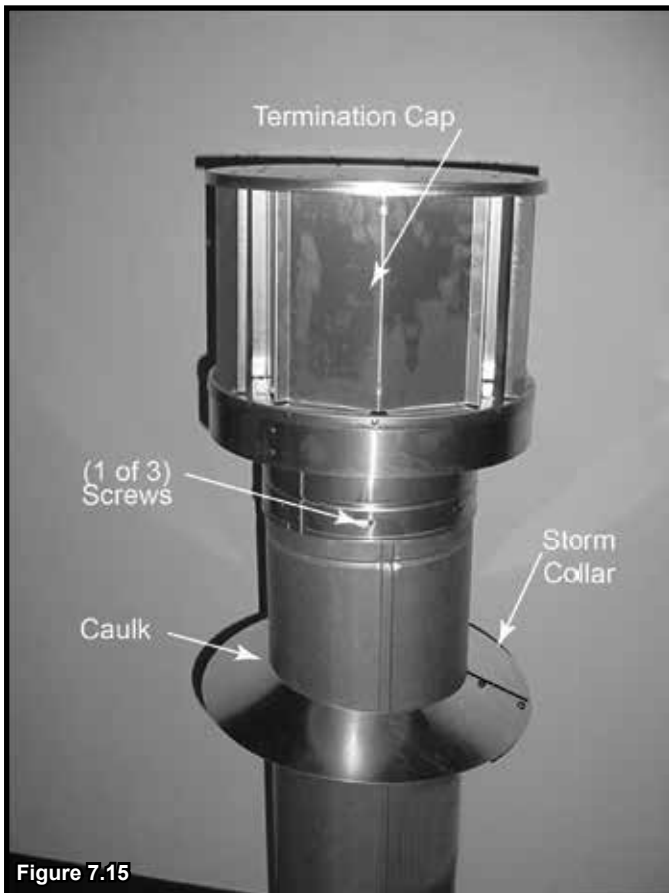


Figure 7.15

F. Horizontal Termination Requirements

Heat Shield Requirements for Horizontal Termination

WARNING! Risk of Fire! To prevent overheating and fire, heat shields must extend through the entire wall thickness.

- **DO NOT** remove the heat shields attached to the wall shield firestop and the horizontal termination cap (shown in Figure 7.16).
- Heat shields must overlap 1-1/2 in. (38 mm) minimum.

There are two sections of the heat shield. One section is factory-attached to the wall shield firestop. The other section is factory-attached to the cap. See Figure 7.16.

If the wall thickness does not allow the required 1-1/2 in. (38 mm) heat shield overlap when installed, an extended heat shield must be used.

- If the wall thickness is less than 4 in./102 mm (DVP) or 4-3/8 in./ 111 mm (SLP), the heat shields on the cap and wall shield firestop must be trimmed. A minimum 1-1/2 in. (38 mm) overlap **MUST** be maintained.
- Use an extended heat shield if the finished wall thickness is greater than 7-1/4 in. (184 mm).
- The extended heat shield may need to be cut to length maintaining sufficient length for a 1-1/2 in. (38 mm) overlap between heat shields.
- Attach the extended heat shield to either of the existing heat shields using the screws supplied with the extended heat shield. Refer to vent components diagrams in the back of this manual.
- Rest the small leg on the extended heat shield on top of the pipe section to properly space it from the pipe section.

Important Notice: Heat shields may not be field constructed.

Install Horizontal Termination Cap (DVP and SLP Pipe)

WARNING! Risk of Fire! The telescoping flue section of the termination cap **MUST** be used when connecting vent.

- 1-1/2 (38 mm) minimum overlap of flue telescoping section is required.

Failure to maintain overlap could cause overheating and fire.

- Vent termination must not be recessed in the wall. Siding may be brought to the edge of the cap base.
- Flash and seal as appropriate for siding material at outside edges of cap.
- When installing a horizontal termination cap, follow the cap location guidelines as prescribed by current **ANSI Z223.1** and **CAN/CGA-B149** installation codes and refer to Section 4 of this manual.

CAUTION! Risk of Burns! Local codes may require installation of a cap shield to prevent anything or anyone from touching the hot cap.

NOTICE: For certain exposures which require superior resistance to wind-driven rain penetration, a flashing kit and HRC caps are available. When penetrating a brick wall, a brick extension kit is available for framing the brick.

Note: When using termination caps with factory-supplied heat shield attached, no additional wall shield firestop is required on the exterior side of a combustible wall.

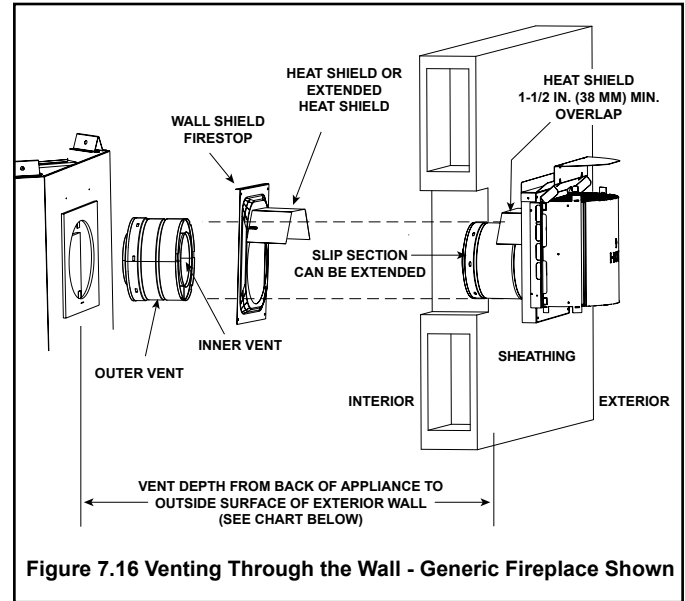


Figure 7.16 Venting Through the Wall - Generic Fireplace Shown

Termination Cap Specification Chart
(depth without using additional pipe sections)

| SL Series | DVP-TRAPK1 Top Vent Depth | DVP-TRAP1 Rear Vent Depth | DVP-TRAPK2 Top Vent Depth | DVP-TRAP2 Rear Vent Depth |
|-----------|---------------------------------|---------------------------------|---------------------------------|---------------------------------|
| | | N/A | 3-1/8 in. to 5 in. | N/A |
| SL Series | DVP-HPC1 Top Vent Depth | DVP-HPC1 Rear Vent Depth | DVP-HPC2 Top Vent Depth | DVP-HPC2 Rear Vent Depth |
| | N/A | 3-1/8 in. to 5-1/4 in. | N/A | 5-1/4 in. to 9-3/8 in. |

DVP-TRAP1 can adjust 1-1/2 in. (3-1/8 to 4-5/8)

DVP-TRAP2 can adjust 4 in. (5-3/8 to 9-3/8)

DVP-HPC1 can adjust 2-1/8 in. (4-1/4 to 6-3/8)

DVP-HPC2 can adjust 4-1/8 in. (6-3/8 to 10-1/2)

8 Electrical Information

A. General Information

WARNING! Risk of Shock or Explosion! DO NOT wire 110-120 VAC to the valve or to the appliance wall switch. Incorrect wiring will damage controls.

NOTICE: This appliance must be electrically wired and grounded in accordance with local codes or, in the absence of local codes, with **National Electric Code ANSI/NFPA 70-latest edition or the Canadian Electric Code CSA C22.1.**

- Wire the appliance junction box to unswitched 110-120 VAC. This is required for proper operation of the appliance (Intellifire ignition).
- A 110-120 VAC circuit for this product must be protected with ground-fault circuit-interrupter protection, in compliance with the applicable electrical codes, when it is installed in locations such as in bathrooms or near sinks.
- Low voltage and 110-120 VAC voltage cannot be shared within the same wall box.

Junction Box Installation

To wire the junction box:

- Remove the screw attaching the junction box/receptacle to the outer shell, rotate the junction box inward to disengage it from the outer shell. See Figure 8.1.
- Pull the electrical wires from outside the appliance through the opening into the valve compartment and secure wires with a Romex connector. See Figure 8.1.
- Make all necessary wire connections to the junction box/receptacle and reattach the junction box/receptacle to the outer shell.

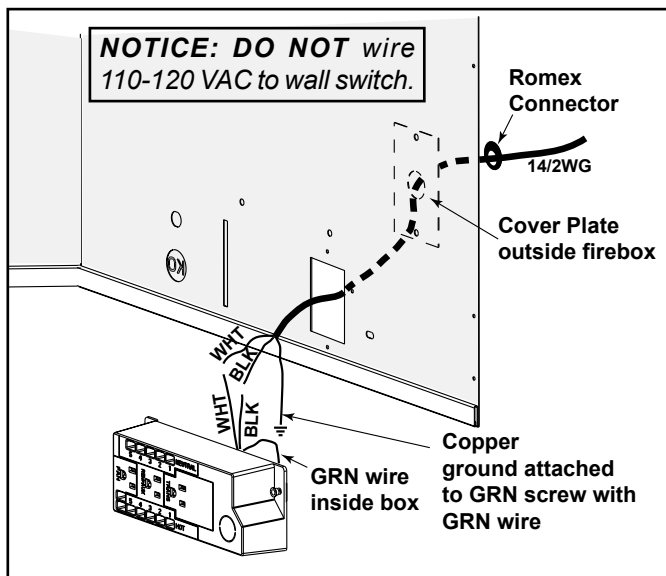


Figure 8.1 Generic Junction Box Detail Shown

Accessories Requirements

- This appliance may be used with a wall switch, wall mounted thermostat and/or a remote control.

Wiring for optional Hearth & Home Technologies approved accessories should be done now to avoid reconstruction. Follow instructions that come with those accessories.

Electrical Service and Repair

WARNING! Risk of Shock! Label all wires prior to disconnection when servicing controls. Wiring errors could cause improper and dangerous operation. Verify proper operation after servicing.

WARNING! Risk of Shock! Replace damaged wire with type 105° C rated wire. Wire must have high temperature insulation.

Intellifire™ Plus Ignition System Wiring

- Wire the appliance junction box to 110-120 VAC for proper operation of the appliance.

WARNING! Risk of Shock or Explosion! DO NOT wire IPI controlled appliance junction box to a switched circuit. Incorrect wiring will override IPI safety lockout.

- Refer to Figure 8.2, IPI Wiring Diagram.
- This appliance is equipped with an IntelliFire™ Plus control valve which operates on a 6 volt/1.5 AMP system.
- Plug the 6 volt transformer plug into the appliance junction box to supply power to the unit OR install 4 AA cell batteries (not included) into the battery pack before use.

NOTICE: Batteries should only be used as a power source in the event of an emergency power outage. Batteries should not be used as a primary long-term power source. Battery polarity must be correct when installing batteries. When using batteries as a power source, the 6-volt transformer must be unplugged from the receptacle.

Do not store batteries in the battery pack when the appliance is powered by the 6 volt transformer connected to permanent electrical service.

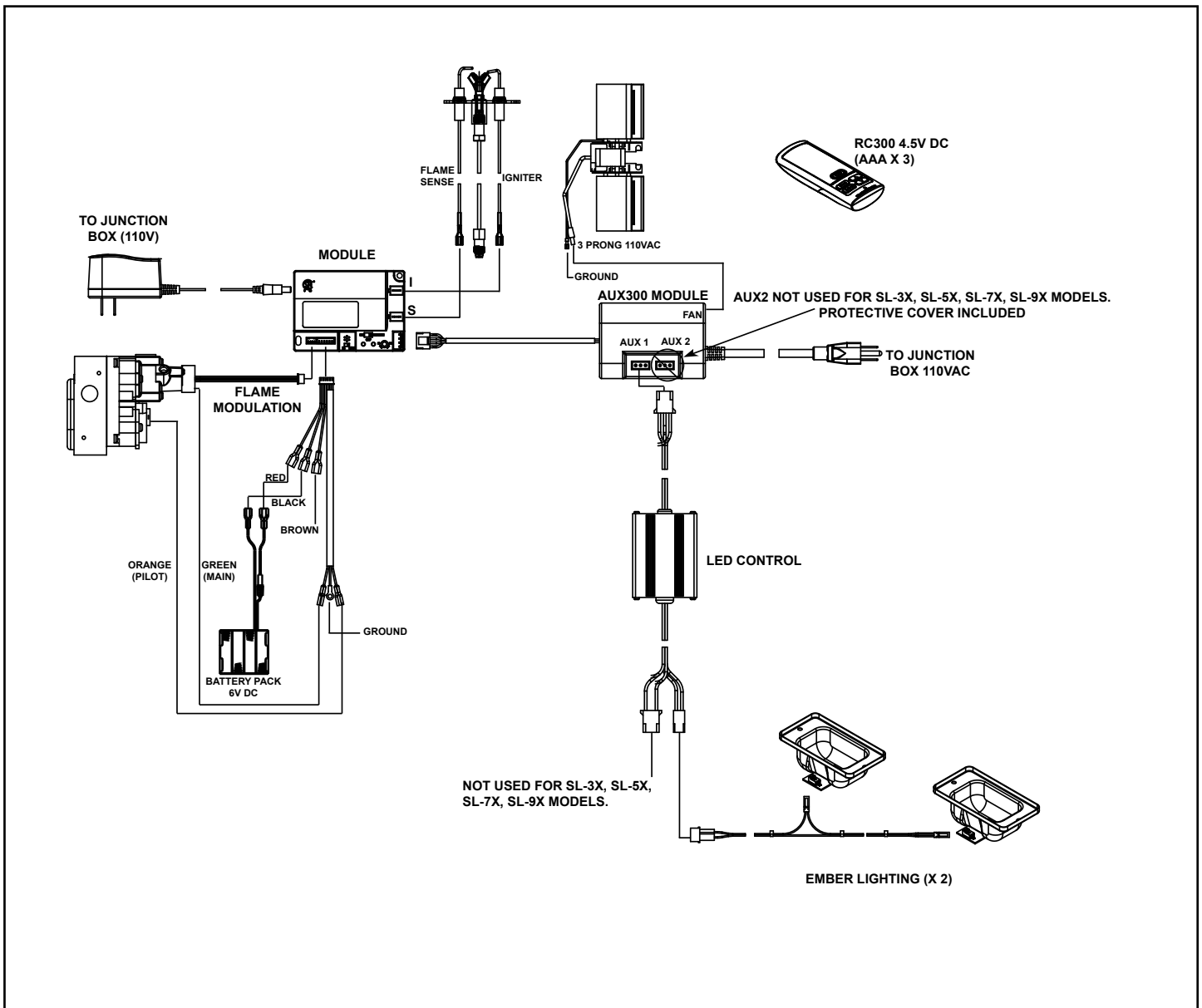


Figure 8.2 IntelliFire Plus™ Wiring Diagram

LED's

LED's are factory installed. No additional set up or maintenance is required.

9 Gas Information

A. Fuel Conversion

- Make sure the appliance is compatible with available gas types.
- Conversions must be made by a qualified service technician using Hearth & Home Technologies specified and approved parts.


B. Gas Pressure

- Optimum appliance performance requires proper input pressures.
- Gas line sizing requirements will be determined in ANSI Z223.1 National Fuel Gas Code in the USA and CAN/CGA B149 in Canada.
- Pressure requirements are:

| Gas Pressure | Natural Gas | Propane |
|------------------------|---------------|---------------|
| Minimum inlet pressure | 5.0 in. w.c. | 11.0 in. w.c. |
| Maximum inlet pressure | 10.0 in. w.c. | 13.0 in. w.c. |
| Manifold pressure | 3.5 in. w.c. | 10.0 in. w.c. |

WARNING! Risk of Fire or Explosion! High pressure will damage valve. Low pressure could cause explosion.

- Verify inlet pressures. Verify minimum pressures when other household gas appliances are operating.
- Install regulator upstream of valve if line pressure is greater than 1/2 psig.

| | |
|---|--|
| ⚠ WARNING | |
|  | <p>Fire Risk. Explosion Hazard. High pressure will damage valve.</p> <ul style="list-style-type: none">• Disconnect gas supply piping BEFORE pressure testing gas line at test pressures above 1/2 psig.• Close the manual shutoff valve BEFORE pressure testing gas line at test pressures equal to or less than 1/2 psig. |

Note: Have the gas supply line installed in accordance with local codes, if any. If not, follow ANSI 223.1. Installation should be done by a qualified installer approved and/or licensed as required by the locality. (In the Commonwealth of Massachusetts installation must be performed by a licensed plumber or gas fitter).

Note: A listed (and Commonwealth of Massachusetts approved) 1/2 in. (13 mm) T-handle manual shut-off valve and flexible gas connector are connected to the 1/2 in. (13 mm) control valve inlet.

- **If substituting for these components, please consult local codes for compliance.**

C. Gas Connection

- Refer to Reference Section 3 for location of gas line access in appliance.
- Gas line may be run through knockout(s) provided.
- The gap between supply piping and gas access hole may be caulked with caulk with a minimum of 300 °F continuous exposure rating or stuffed with non-combustible, unfaced insulation to prevent cold air infiltration.
- Ensure that gas line does not come in contact with outer wrap of the appliance. Follow local codes.
- Pipe incoming gas line into valve compartment.
- Connect incoming gas line to the 1/2 in. (13 mm) connection on manual shutoff valve.

WARNING! Risk of Fire or Explosion! Support control when attaching pipe to prevent bending gas line.

- A small amount of air will be in the gas supply lines.

WARNING! Risk of Fire or Explosion! Gas build-up during line purge could ignite.

- Purge should be performed by qualified service technician.
- Ensure adequate ventilation.
- Ensure there are no ignition sources such as sparks or open flames.

Light the appliance. It will take a short time for air to purge from lines. When purging is complete the appliance will light and operate normally.

WARNING! Risk of Fire, Explosion or Asphyxiation! Check all fittings and connections with a non-corrosive commercially available leak-check solution. **DO NOT** use open flame. Fittings and connections could have loosened during shipping and handling.

WARNING! Risk of Fire! DO NOT change valve settings. This valve has been preset at the factory.

D. High Altitude Installations

NOTICE: If the heating value of the gas has been reduced, these rules do not apply. Check with your local gas utility or authorities having jurisdiction.

When installing above 2000 feet elevation:

- In the USA: Reduce input rate 4% for each 1000 feet above 2000 feet.
- In CANADA: Input ratings are certified without a reduction of input rate for elevations up to 4500 feet (1370 m) above sea level. Please consult provincial and/or local authorities having jurisdiction for installations at elevations above 4500 feet (1370 m).

Check with your local gas utility to determine proper orifice size.

E. Air Shutter Setting

Air shutter settings should be adjusted by a qualified service technician at the time of installation.

Factory Pre-Set Air Shutter Settings

| | |
|-----------------|-----------|
| SL-3X (NG) | 1/8 in. |
| SL-3X (PROPANE) | 1/4 in. |
| SL-5X (NG) | 1/4 in. |
| SL-5X (PROPANE) | Full Open |
| SL-7X (NG) | 3/16 |
| SL-7X (PROPANE) | Full Open |
| SL-9X (NG) | 5/16 |
| SL-9X (PROPANE) | Full Open |

The air shutter settings listed above were set based on an appliance that was vented of the top with one 90 degree elbow and the maximum horizontal vent run permitted; this vent configuration is considered to be a more restrictive vent configuration. For less restrictive venting, such as short horizontally terminating or a vertically terminating appliance, the shutter may be adjusted to a more “closed” position.

Natural Gas (NG) installations:

As a general rule, it is acceptable to reduce the shutter opening to adjust for short horizontally terminating or vertically terminating vent configurations. prior to the initial fire up.

Propane (LP) installations

- It is recommended that the air shutter on propane appliances remain at the setting preset at the factory.

Air Shutter Adjustment

The air shutter may be adjusted by locating and loosening the wing nut shown in Figure 9.1. Push/Slide the wing nut toward the back of the appliance to close the shutter. Pull/Slide the wing nut toward the front of the appliance to open the air shutter.

Shutter Setting Verification / Flame Appearance

- After 15 minutes, the flames will be a yellow/blue mix. The front flames may be blue at this time.
- After 30 minutes, the flames should be yellow with some blue flames near the burner ports.
- After 1 hour, the flame will be at its maximum maturity.

NOTICE: *Flames should not appear orange or stretch to the top refractory. If flames are dark orange with dark, smoky tips, provide more primary air to the burner by opening the air shutter accordingly.*

Note: Visually, a propane flame may differ from a natural gas flame. This is due to the different chemical compositions that make up both fuel types. In general, the propane (LP) flames may be a little shorter and much brighter than a natural gas (NG) flame.

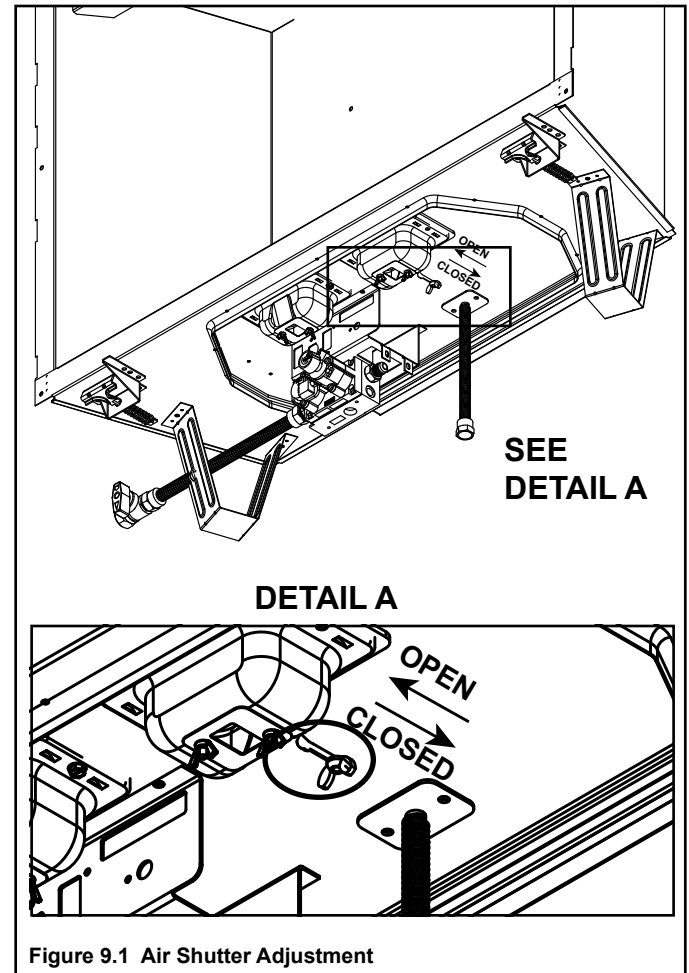


Figure 9.1 Air Shutter Adjustment

F. Burner Identification/Verification

The burner may be accessed for identification and verification purposes. This task should be performed by a qualified service technician. The logs and burner must be removed to see these identification marks. Disconnect the pilot from the burner before removal. See Figure 9.2 for burner identification chart. Notch patterns are located on bottom side of burner.

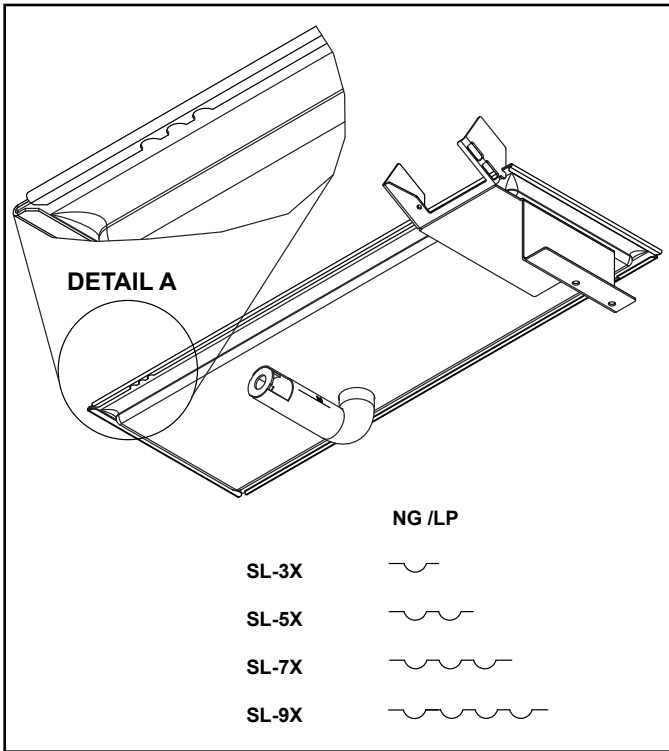


Figure 9.2 Burner Identification

10 Finishing

A. Facing Material

- Metal front faces may be covered with non-combustible materials only.
- Facing and/or finishing materials must not interfere with air flow through louvers, operation of louvers or decorative fronts, or access for service.
- Facing and/or finishing materials must never overhang into the glass opening.
- Observe all clearances when applying combustible materials.
- Confirm that appliance is plum, square and level. See Section 6.
- Seal joints between the finished wall and appliance top and sides using a 300 °F minimum sealant. Refer to Figure 10.1

WARNING! Risk of Fire! DO NOT apply combustible materials beyond the minimum clearances. Comply with all minimum clearances to combustibles as specified in this manual. Overlapping materials could ignite and will interfere with proper operation of decorative fronts and louvers.

NOTICE: Surface temperatures around the appliance will become warm while the appliance is in operation. Ensure finishing materials used for all surfaces (floor, walls, mantels, etc.) will withstand temperatures up to 190°F.

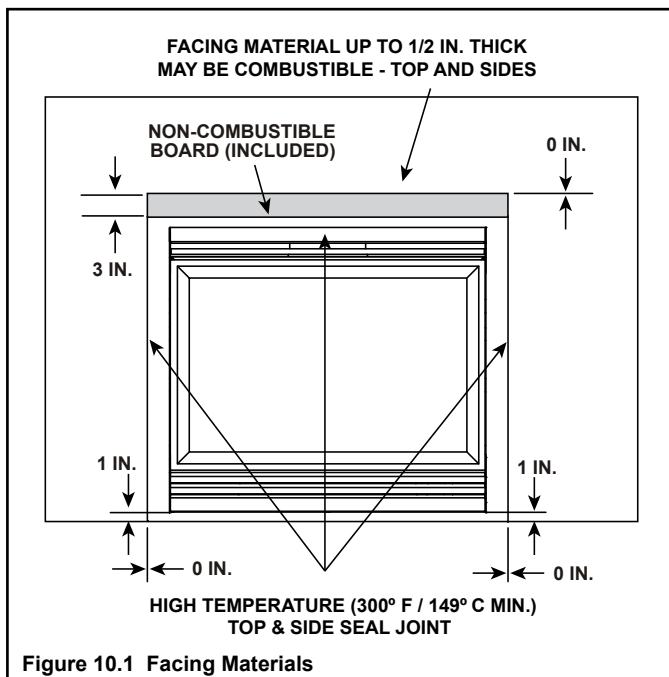


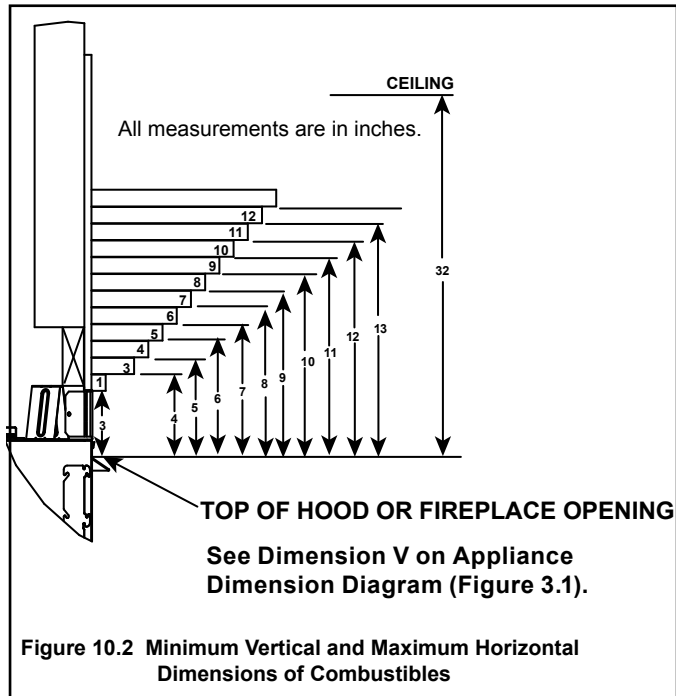
Figure 10.1 Facing Materials

B. Mantel and Wall Projections

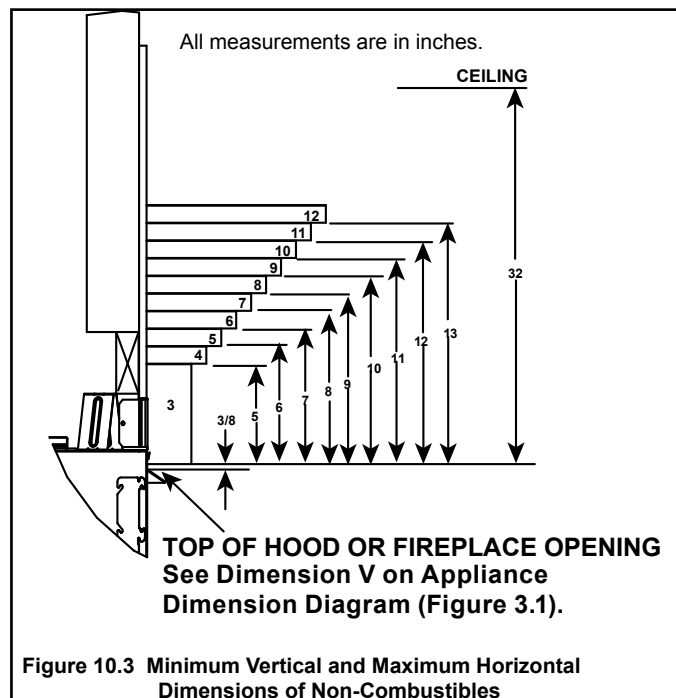
WARNING! Risk of Fire! Comply with all minimum clearances as specified. Framing closer than the minimums listed must be constructed entirely of noncombustible materials (i.e., steel studs, concrete board, etc.)

Note: Measurement is taken from top of the opening, NOT the top of the fireplace.

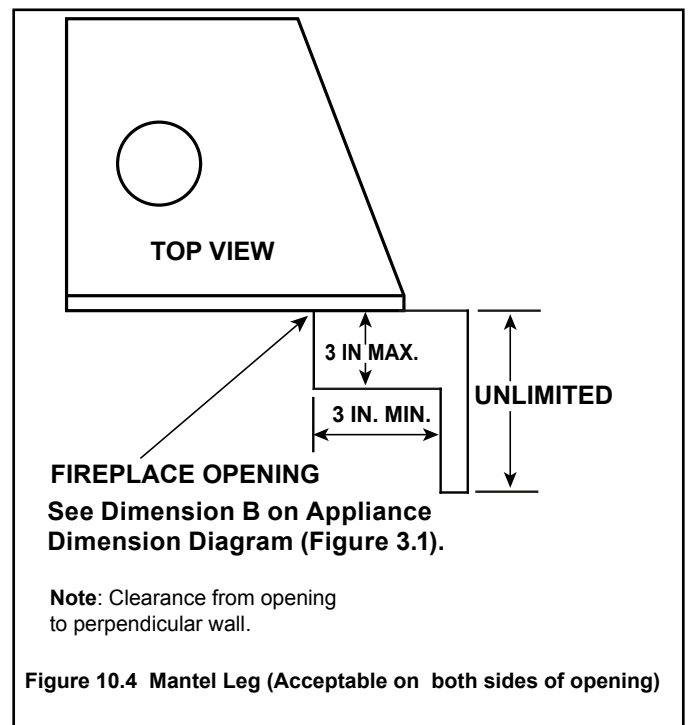
Combustible Mantels



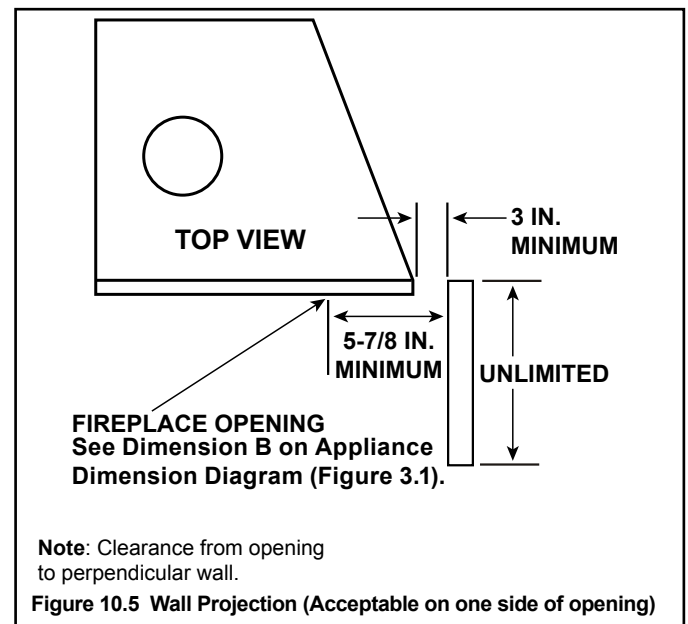
Non-Combustible Mantels



Non-Combustible Mantel Legs



Combustible Wall Projections



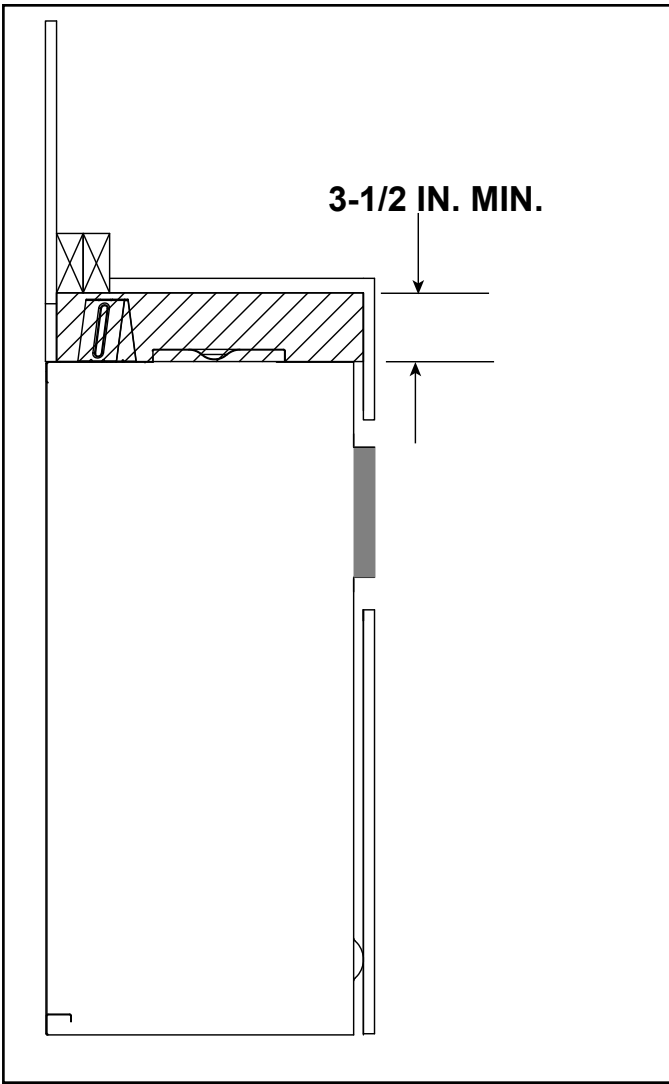


Figure 10.6 Rear Vent Non-Combustible Zone Above Appliance

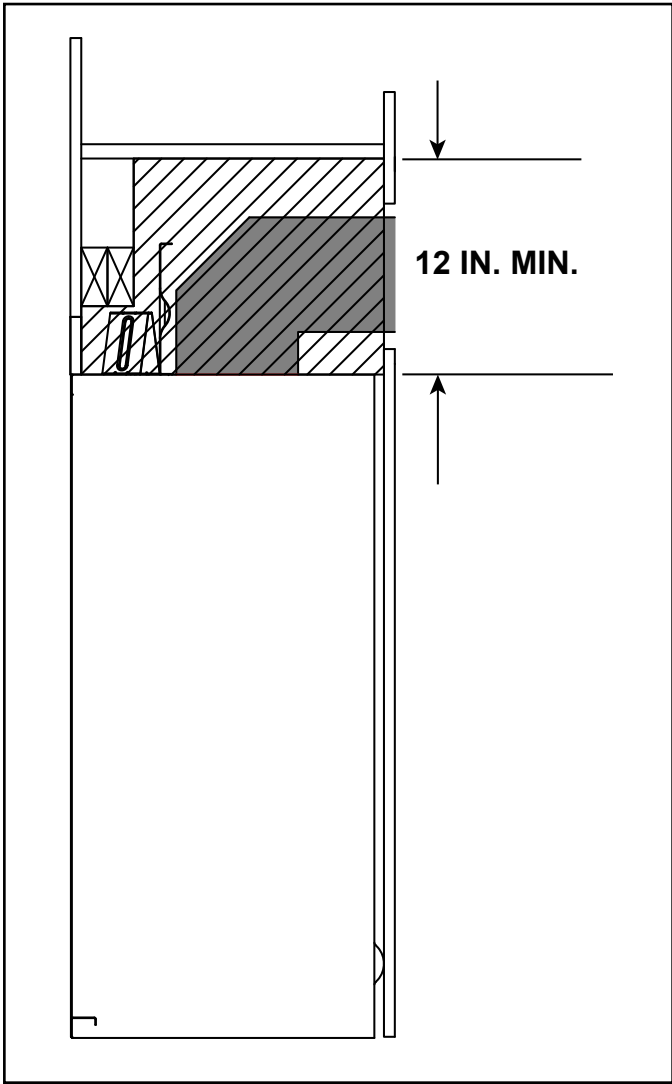


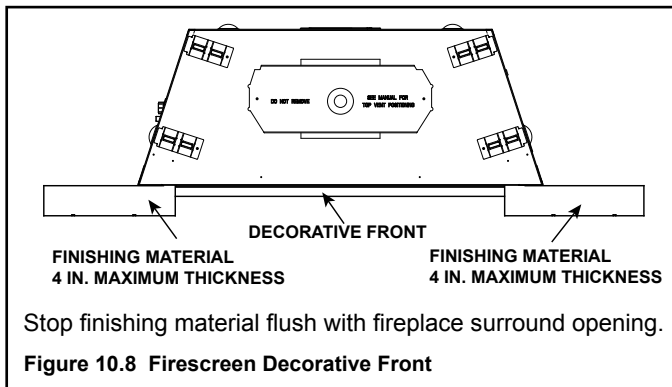
Figure 10.7 Top Vent Non-Combustible Zone Above Appliance

C. Decorative Front Finishing

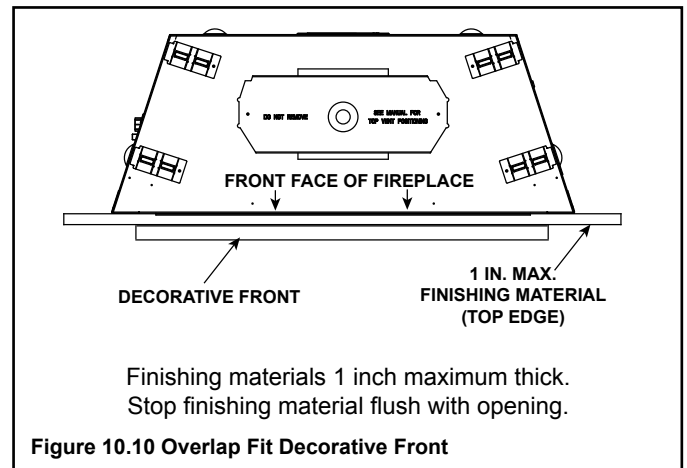
Only decorative fronts certified for use with this appliance model may be used. Contact your dealer for a list of decorative fronts that may be used. Once you have determined what kind of decorative front and finishing material is going to be used on the fireplace, use the information below which shows the decorative front models and the non-combustible finishing material thickness allowed.

Note: Refer to Section 3 for individual decorative front dimensions as installed on appliance.

Inside Fit - Firescreen Front (0-4 Inch Finishing)



Adjustable Overlap Fit



Overlap Fit - ARC,CHA,HAL, & CHAF (1-4 Inch Finishing)

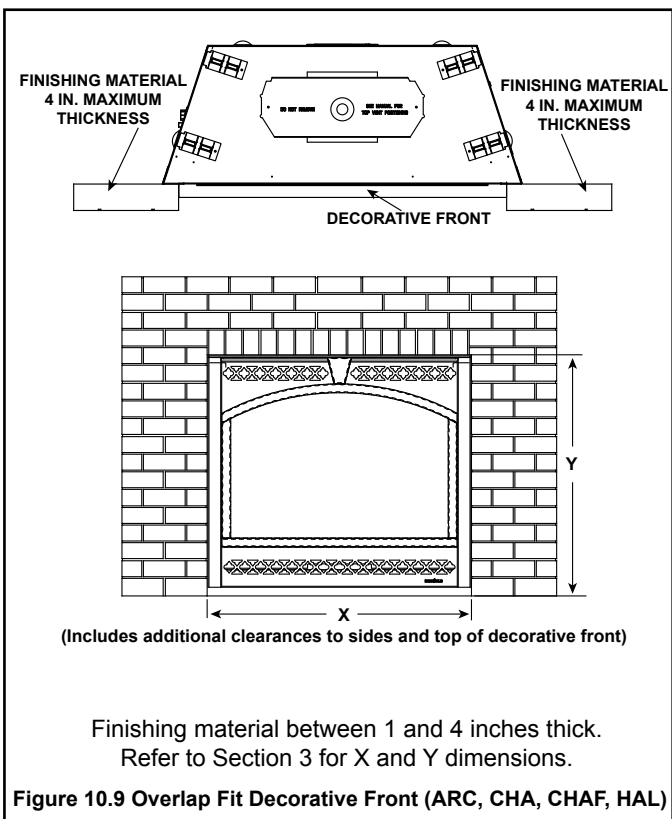


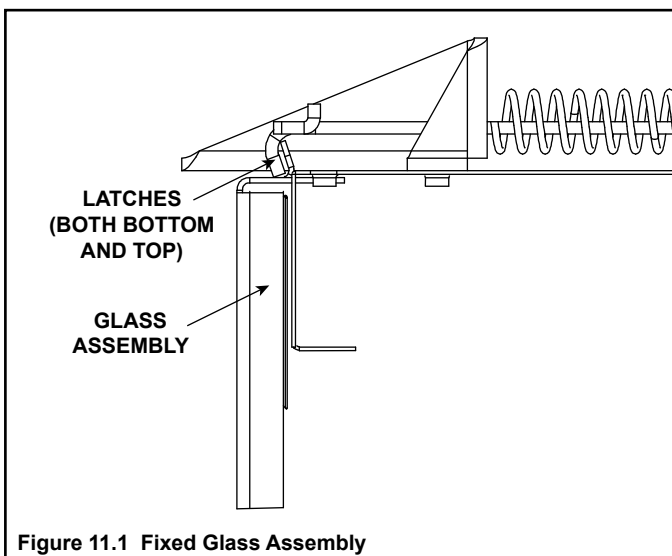
Figure 10.9 Overlap Fit Decorative Front (ARC, CHA, CHAF, HAL)

11 Appliance Setup

A. Remove Fixed Glass Assembly

WARNING! Risk of Asphyxiation! Handle fixed glass assembly with care. Inspect the gasket to ensure it is undamaged and inspect the glass for cracks, chips or scratches.

- **DO NOT** strike, slam or scratch glass.
- **DO NOT** operate fireplace with glass removed, cracked, broken or scratched.
- Replace as a complete assembly.
- Pull the four glass assembly latches out of the groove on the glass frame. Remove glass assembly from the appliance (see Figure 11.1).



B. Remove the Shipping Materials

Remove shipping materials from inside or underneath the firebox.

- The splatter guard is a piece of corrugated material used to protect the appliance during the installation process before finishing work on the whole hearth is complete. Splatter guards may be factory installed or accompany the door of the unit, depending on the fireplace model. Splatter guards must be removed before appliance is fired.

WARNING! Risk of Fire! Close the ball valve before installing the splatter guard to prevent accidental lighting. Remove the splatter guard before lighting the appliance.

C. Clean the Appliance

Clean/vacuum any sawdust that may have accumulated inside the firebox or underneath in the control cavity.

D. Setup Overview

These are common log and refractory instructions for the SL-3X, SL-5X, SL-7X, and SL-9X models. All four models use the same number of components, which are scaled up or down in size, depending on the model of fireplace installed. All sizes consist of five logs and two hearth components.

*The photos shown in these instructions depict an SL-7X.

E. Install Hearth Components, Teco-Sil, Glowing Embers®, Refractory and Logs

Install Hearth Components

1. Remove the left and right hearth components from the packaging and install as shown in Figure 11.2. Verify that the left and right hearth components are pushed firmly “down” into position. This is important to ensure grout lines are positioned correctly.



Figure 11.2 Press Left Hearth Firmly Into Place

Install Standard Refractory

1. Remove left, right, back and top refractory pieces from the shipping packaging.
2. Install the rear refractory by placing it into the bracket located above the air passage. Push down on the panel to ensure that the outer legs engage screw tips.
3. Gently push the back refractory toward the back of the firebox until the refractory contacts the firebox.

Note: The SL-3X rear refractory will be a rectangular shape without “legs.” See Figure 11.3.



Figure 11.3 Install Rear Refractory Piece

4. Install left refractory panel until it contacts the back wall refractory. See Fig 11.4.



Figure 11.4 Install Left Refractory Panel



Figure 11.5 Install Top Refractory Panel



Figure 11.6 Install Right Refractory Panel

5. Install top refractory by inserting into the firebox and placing the left side on top of the left refractory panel as shown. See Fig 11.5.
6. Push "UP" on top refractory and install right side refractory panel as shown in Figures 11.6 & 11.7.
7. Installation is complete when top refractory panel is set securely in place. Top refractory panel may need to be pulled down to fit correctly. Chamfers should properly fit together and gaps should be minimized with correct installation.

Note: The grout line should match consistently between the left, right, and rear refractory. If grout lines are not aligned, verify that hearth components are pushed down firmly to ensure proper side refractory fit. Additionally, excess flashing or debris on hearth components may affect side fit and grout orientation. It is acceptable to remove excess flashing on the left and right hearth components to best align grout lines.



Figure 11.7 Right Refractory Panel Installed

Install and Paint Teco-Sil

1. Remove Teco-Sil rock from its shipping location.
2. Install the Teco-Sil into the ember tray.
3. Fog the Teco-Sil to the desired look, using high temperature black paint (Hearth & Home Technologies part number TUP-GBK-12). See below for fogging tips. Prior to painting, take precautions to prevent any overspray from reaching the pilot assembly. Paint is not included with the appliance. See Fig 11.8.

Fogging Tips

- Apply paint with the ember lights turned on. This will help avoid over fogging or under fogging.
- Reduce the lighting in the room while applying the paint.
- Fog the Teco-Sil to create a realistic coal bed appearance.
- Allow the paint to dry/cure a minimum of 15 minutes.
- DO NOT allow paint or paint overspray on the pilot.



Figure 11.8 Paint Teco-Sil

Install Logs

Log Set Assembly: LOGS-SL3X, LOGS-SL5X, LOGS-SL7X, LOGS-SL9X

Models: SL-3X, SL-5X, SL-7X, SL-9X

LOG PLACEMENT INSTRUCTIONS

CAUTION: Logs are fragile, handle with care.

NOTICE: Paint Touch Up Kit (2372-099) may be ordered from your dealer to repair chips and scratches if necessary.

Overview

These are common log instructions for the SL-3X, SL-5X, SL-7X, and SL-9X models. All four models use the same number of components, which are scaled up or down in size, depending on the model of fireplace installed. Each size log set consists of five logs.

*The photos shown in these instructions depict an SL-7X.

Log Pins

The overall size and placement of the burner assembly within the firebox is very similar between all sizes. However, each burner top has different burner ports and log pin configurations. See Figure 1 for log pin locations.

The log pins, along with the indentations in the hearth components, will aid in correctly positioning the two rear logs and small burner log. The indentations are shown in Figure 4.

Note: SL-3X models do not utilize hearth indentations.

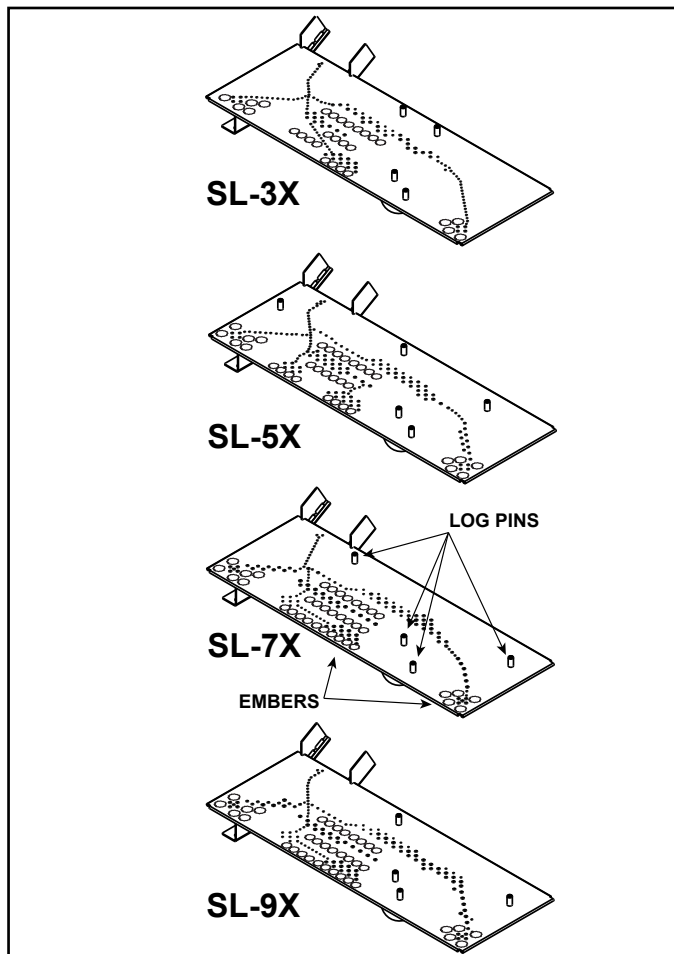


Figure 1. Log Pin and Glowing Ember Locations

Log Placement Tips

- The rear left log, rear right log and small burner log utilize holes in the bottom side of the logs that correspond to the log pins on the burner. Reference Figure 1 and Figure 2.

Additionally, the rear left log and rear right log are located by indentations in the right and left hearth components. See Figure 4.

Note: SL-3X models do not utilize hearth indentations.

- Top left and top right logs, which lay across the rear left and rear right logs, utilize the “indentations” in the rear left and rear right logs for proper placement.

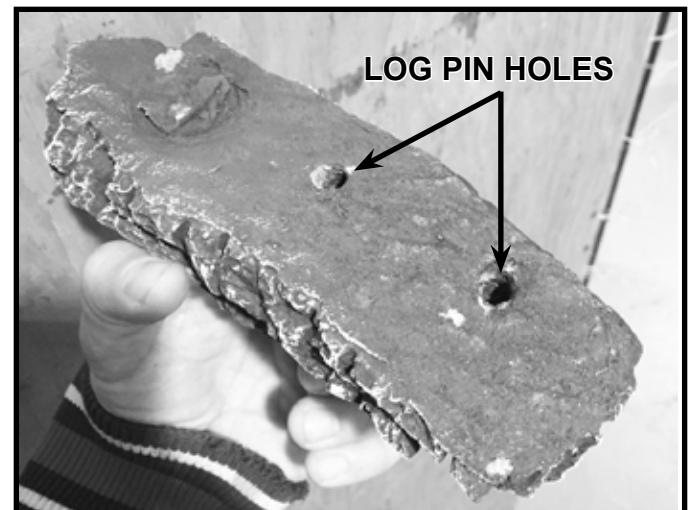


Figure 2. Example of Log Pin Holes

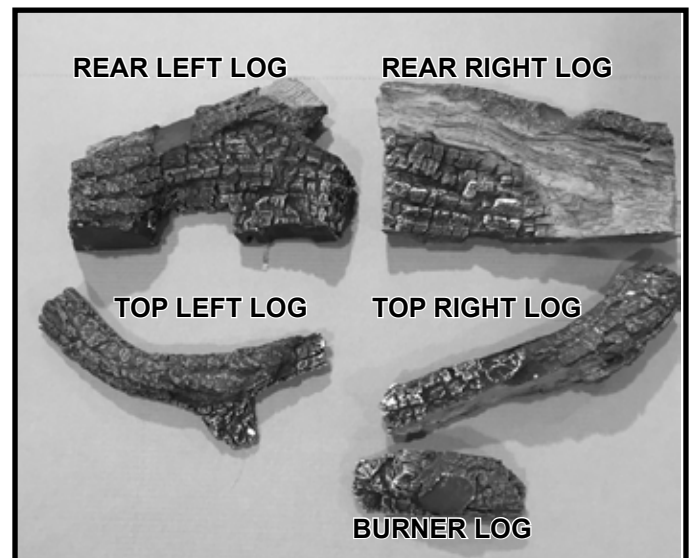


Figure 3. Log Set Components

Install Rear Logs

1. Remove large rear left log from the packaging and install the log by locating it on the back left log pin(s). The left side of the log will reside within the indentation in the left hearth component. See Figure 4.

Note: SL-3X models do not utilize hearth indentations. See Figure 4.

SL-7X and SL-9X Models: The rear left log will be positioned to maintain about a 1/4 inch rear gap between the rear left log and the back wall refractory. There will be about a 3/4 inch side gap between the left end of the log and left panel. See Figure 4.

SL-3X and SL-5X Models: The rear left log will be positioned to maintain about a 1/4 inch rear gap between the rear left log and the back wall refractory. The rear left log will contact the left refractory panel (no side gap). See Figure 4.

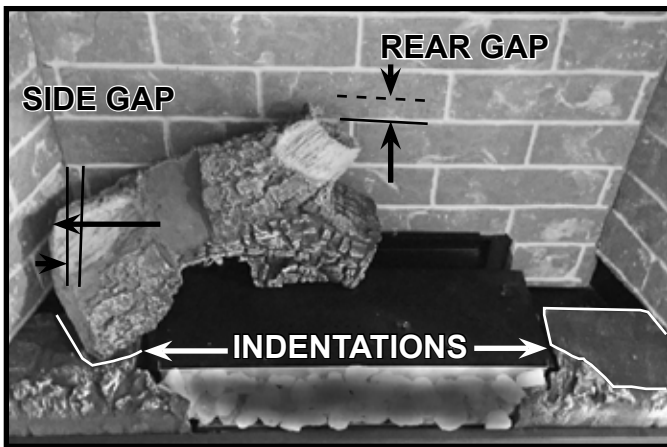


Figure 4. Rear Left Log Installed

2. Remove the large rear right log from packaging and install it by locating it on the back right log pin. On some models, it may be necessary to lift the rear left log slightly to install the rear right log. The right side of the log will reside within the indentation in the right hearth component. See Figure 5.

Note: SL-3X models do not utilize hearth indentations.

SL-7X and SL-9X Models: The rear right log will be positioned to contact the back wall refractory (no rear gap). There will be about a 3/4 inch side gap between the right end of the log and the right refractory panel. See Figure 5.

SL-3X Models: The rear right log will be positioned to maintain about a 1 inch rear gap between the rear right log and the back wall refractory. The rear right log will contact the right refractory panel (no side gap). See Figure 5.

SL-5X Models: The rear right log will be positioned to maintain about a 1/4 inch rear gap between the rear right log and the back wall refractory. The rear right log will contact the right refractory panel (no side gap). See Figure 5.

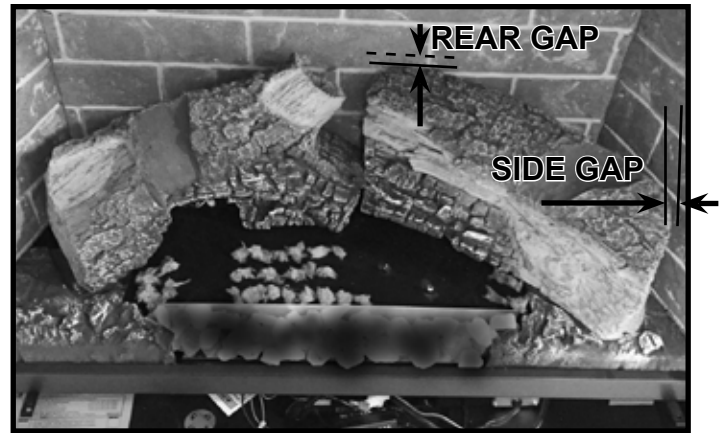


Figure 5. Rear Right Log Installed

Install Glowing Embers®

3. Remove the Glowing Embers® from packaging and install the ember material as shown in Figure 1. Care should be taken to avoid placing ember material directly over ports and to avoid using excessive amounts of ember material.

WARNING! Risk of Explosion! Follow ember placement instructions. **DO NOT** place embers directly over burner ports. Replace ember material annually. Improperly placed embers interfere with proper burner operation.

- Embers CANNOT be placed directly over ports. Care should be taken not to cover the lighting trail of ports (from back to front).
- When placing Glowing Embers® onto the burner care should be taken so that the ports are not covered. Place the dime-size ember pieces near the port holes in the burner top. Failure to follow this procedure will likely cause lighting and sooting problems.

Install Front Logs

- Remove small burner log from packaging. This log has two holes on the bottom. These holes correspond to two log pins located on the burner top. Place the small burner log on the two log pins. See Figure 6. When properly placed, this log will rest on both the burner and ember tray/Teco-Sil.



Figure 6. Burner Log Installed

- Remove top left log from packaging. Place the log into the indentation on the rear left log. The right tip of the log will rest on the ember tray and the Teco-Sil rock. See Figure 7 and Figure 8.

SL-9X Models Only: Additional features were added to the left indentation in the left rear log and the bottom end of the top left log to best locate log.



Figure 7. Location of Left Log indentation

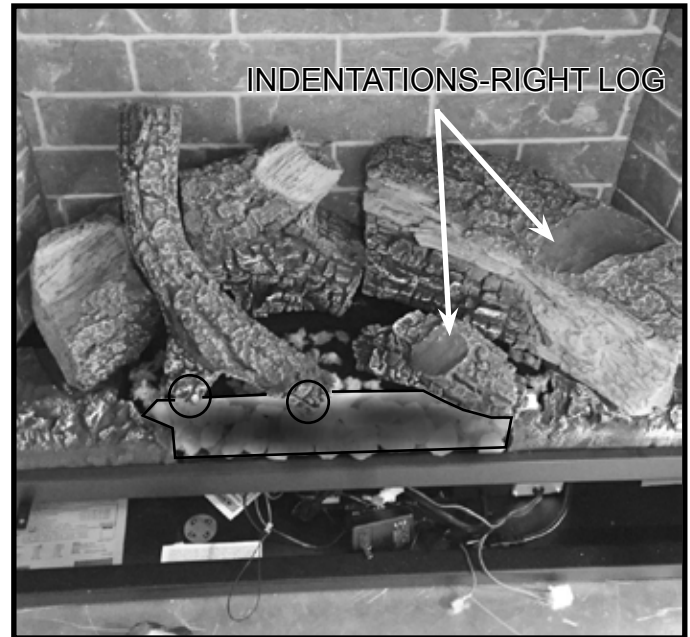


Figure 8. Location of Right Log Indentation

- Remove top right log from packaging. There are indentations located in the right rear log and small burner log to locate the log. Place log into indentations as shown in Figure 8 and Figure 9.



Figure 9. Top Right Log Installed - Log Set Complete

2372-935C

F. LED's

LED's are factory installed. No additional set up or activation required.

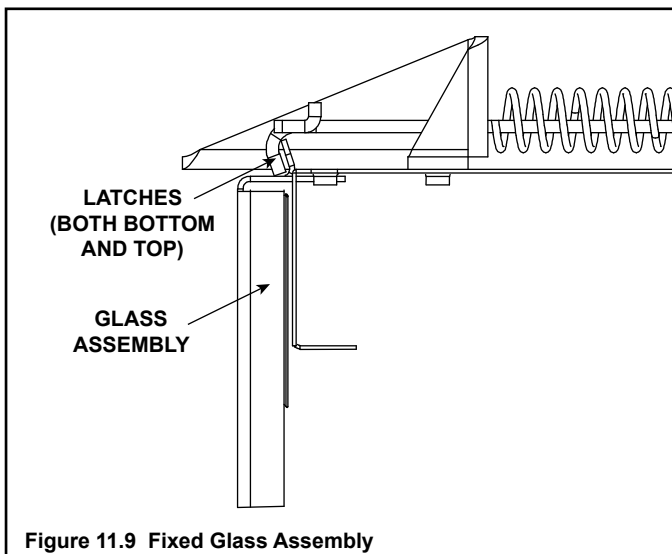
G. Install Fixed Glass Assembly

WARNING! Risk of Asphyxiation! Handle fixed glass assembly with care. Inspect the gasket to ensure it is undamaged and inspect the glass for cracks, chips or scratches.

- **DO NOT** strike, slam or scratch glass.
- **DO NOT** operate fireplace with glass removed, cracked, broken or scratched.
- Replace as a complete assembly.

Replacing Fixed Glass Assembly

- Replace the glass door on the appliance. Pull out and latch the four glass assembly latches into the groove on the glass frame.



H. Install Decorative Front

WARNING! Risk of Fire! Install ONLY doors or fronts approved by Hearth & Home Technologies. Unapproved doors or fronts could cause fireplace to overheat.

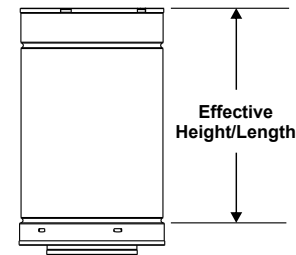
This fireplace has been supplied with an integral barrier to prevent direct contact with the fixed glass panel. DO NOT operate the fireplace with the barrier removed.

Contact your dealer or Hearth & Home Technologies if the barrier is not present or help is needed to properly install one.

For more information refer to the instructions supplied with your decorative door or front.

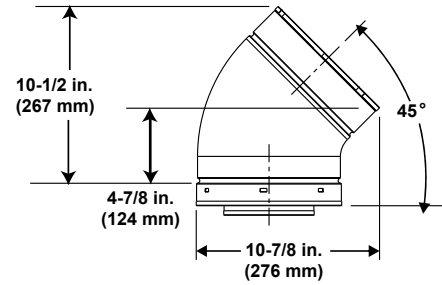
12 Reference Materials

A. Vent Components Diagrams

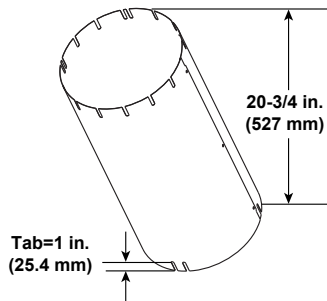


DVP Pipe (see chart)

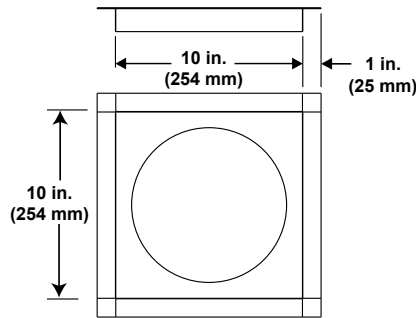
| Pipe | Effective Length | |
|--------|------------------|-------------|
| | Inches | Millimeters |
| DVP4 | 4 | 102 |
| DVP6 | 6 | 152 |
| DVP12 | 12 | 305 |
| DVP24 | 24 | 610 |
| DVP36 | 36 | 914 |
| DVP48 | 48 | 1219 |
| DVP6A | 3 to 6 | 76 to 152 |
| DVP12A | 3 to 12 | 76 to 305 |



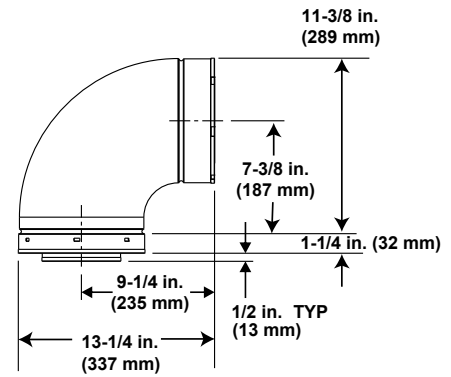
DVP45 (45° Elbow)



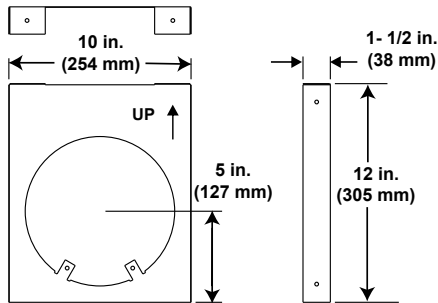
Finished Height: 19-3/4 in./502 mm
UNIV-AS2 (Attic Insulation Shield)



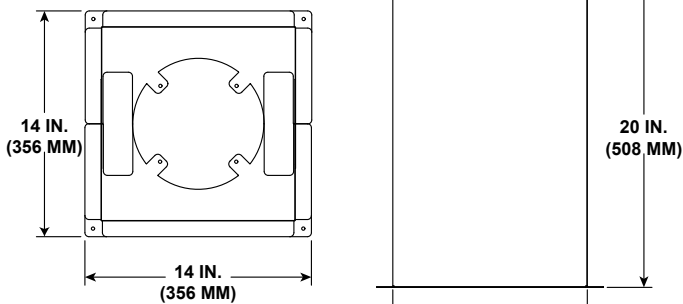
DVP-FS (Ceiling Firestop)



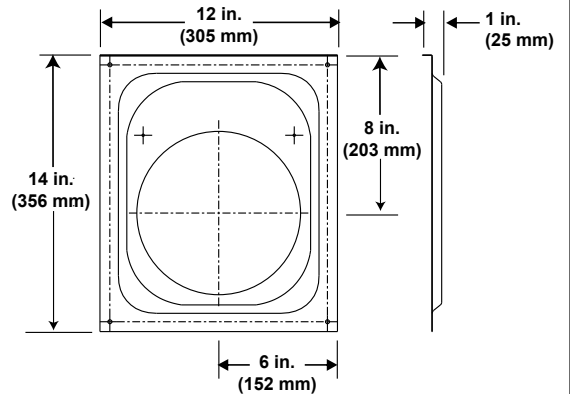
DVP90ST (90° Elbow)



DVP-HVS (Vent Support)



DVP-RDS
ROOF DECK INSULATION SHIELD

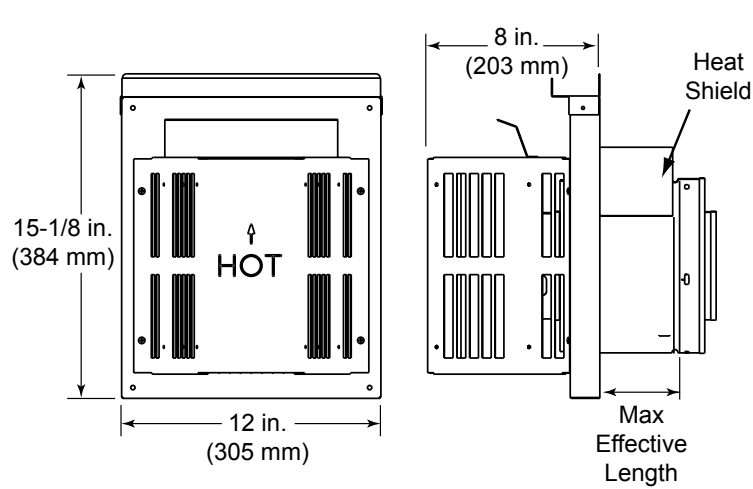


DVP-WS (Wall Shield Firestop)

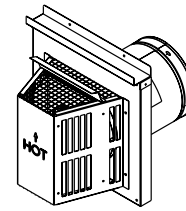
Figure 12.1 DVP Vent Components

A. Vent Components Diagrams (continued)

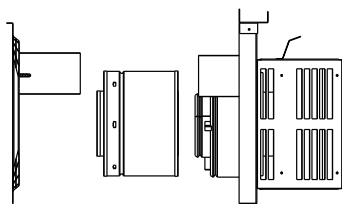
Note: Heat shields **MUST** overlap by a minimum of 1-1/2 in. (38 mm). **The heat shield is designed to be used on a wall 4 in. to 7-1/4 in. (102 mm to 184 mm) thick.** If wall thickness is less than 4 in. (102 mm) the existing heat shields must be field trimmed. If wall thickness is greater than 7-1/4 in. (184 mm) a DVP-HSM-B will be required.



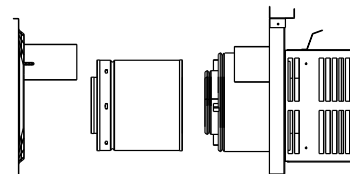
DVP-TRAP
Horizontal Termination Cap



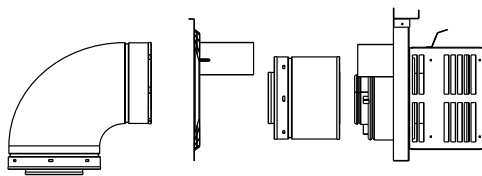
| Term Cap | Minimum Effective Length | Maximum Effective Length |
|----------|--------------------------|--------------------------|
| Trap1 | 3-1/8 in. | 4-5/8 in. |
| | 79 mm | 117 mm |
| Trap2 | 5-3/8 in. | 9-3/8 in. |
| | 137 mm | 238 mm |



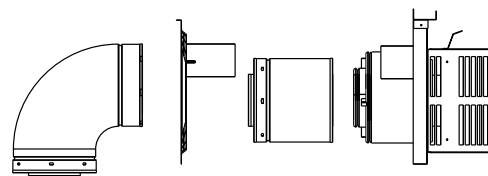
DVP-TRAP1



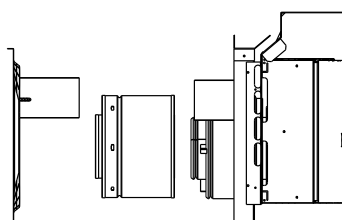
DVP-TRAP2



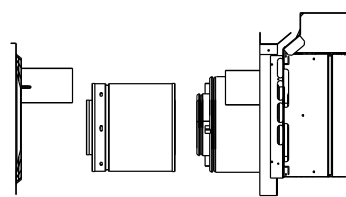
DVP-TRAPK1



DVP-TRAPK2



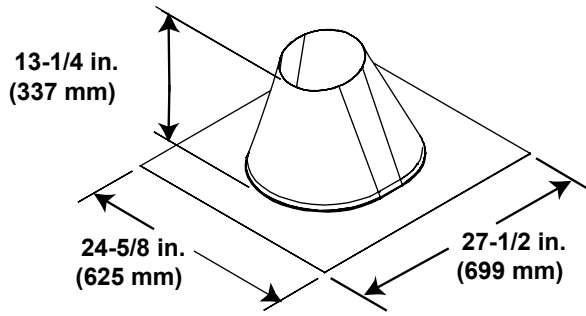
DVP-HPC1



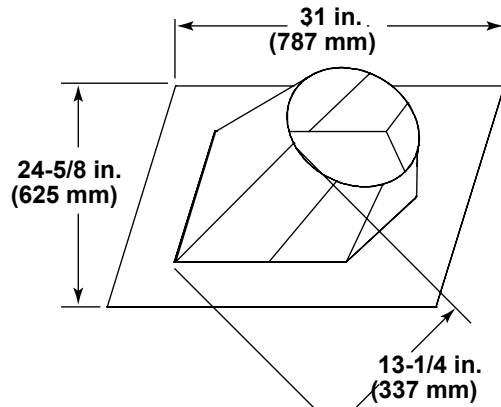
DVP-HPC2

Figure 12.2 DVP Vent Components

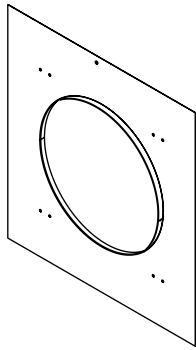
A. Vent Components Diagrams (continued)



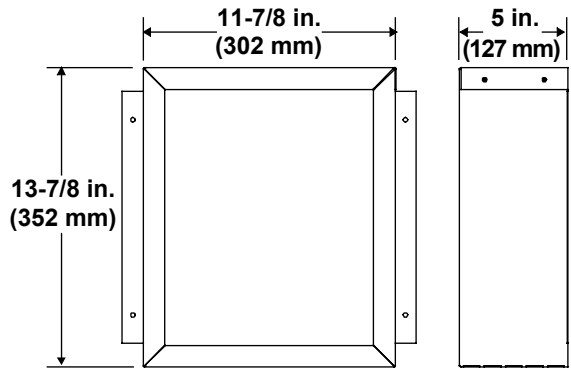
**RF6
Roof Flashing**



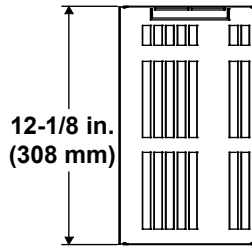
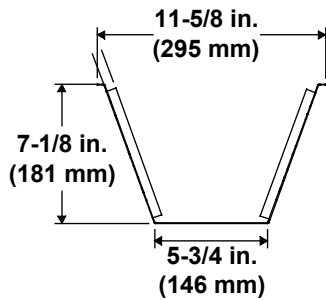
**RF12
Roof Flashing**



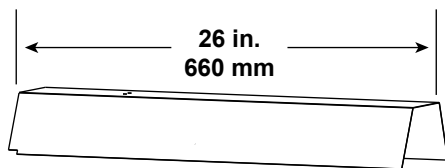
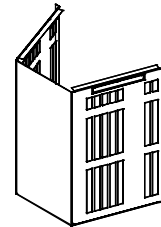
**DVP-TRAPFL
Flashing**



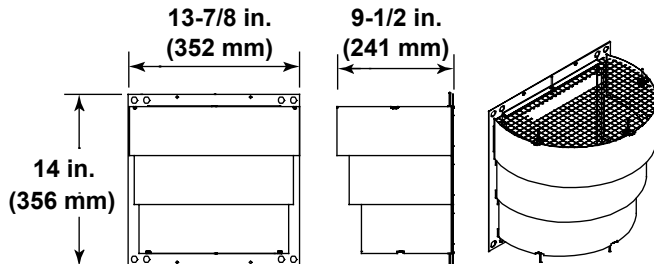
**DVP-BEK2
DVP-HPC Cap Brick Extension**



**COOL-ADDM
Cap Shield**



**DVP-HSM-B
Extended Heat Shield**



**DRC-RADIUS
Cap Shield**

Figure 12.3 DVP Vent Components

A. Vent Components Diagrams (continued)

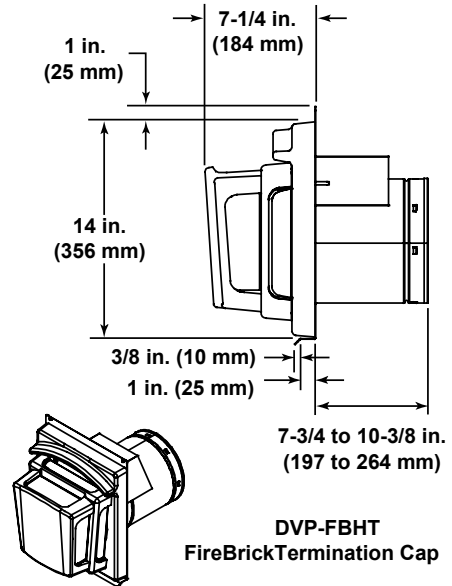
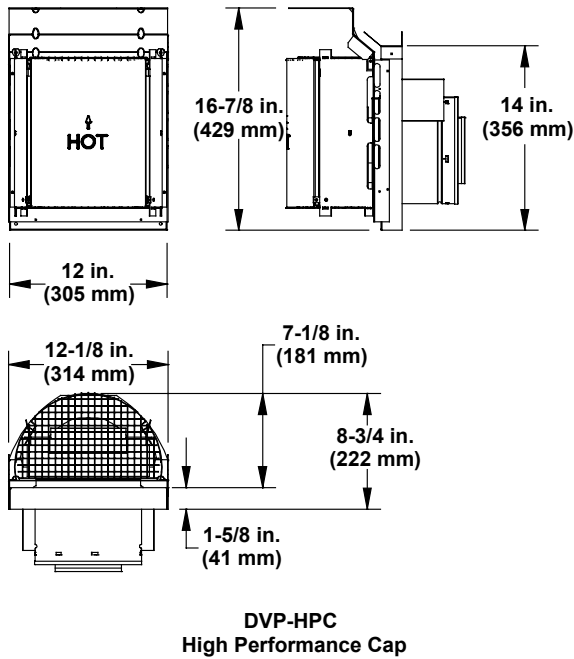
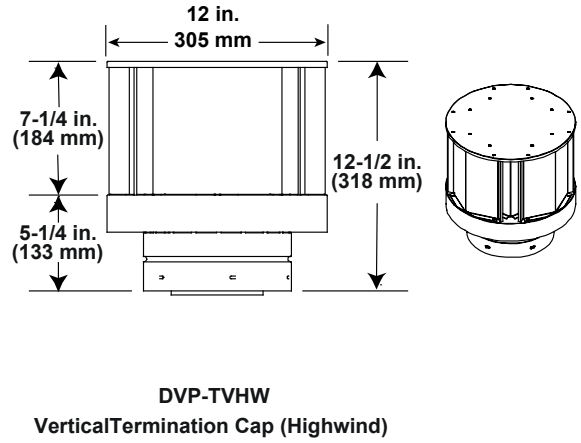
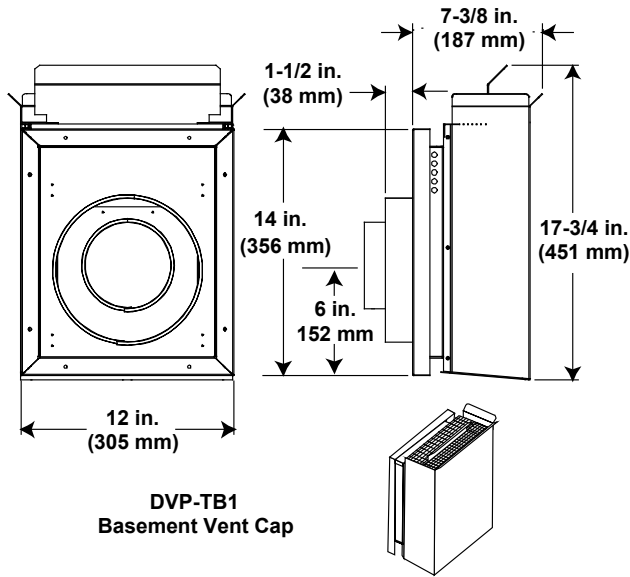


Figure 12.4 DVP Vent Components

A. Vent Components Diagrams (continued)

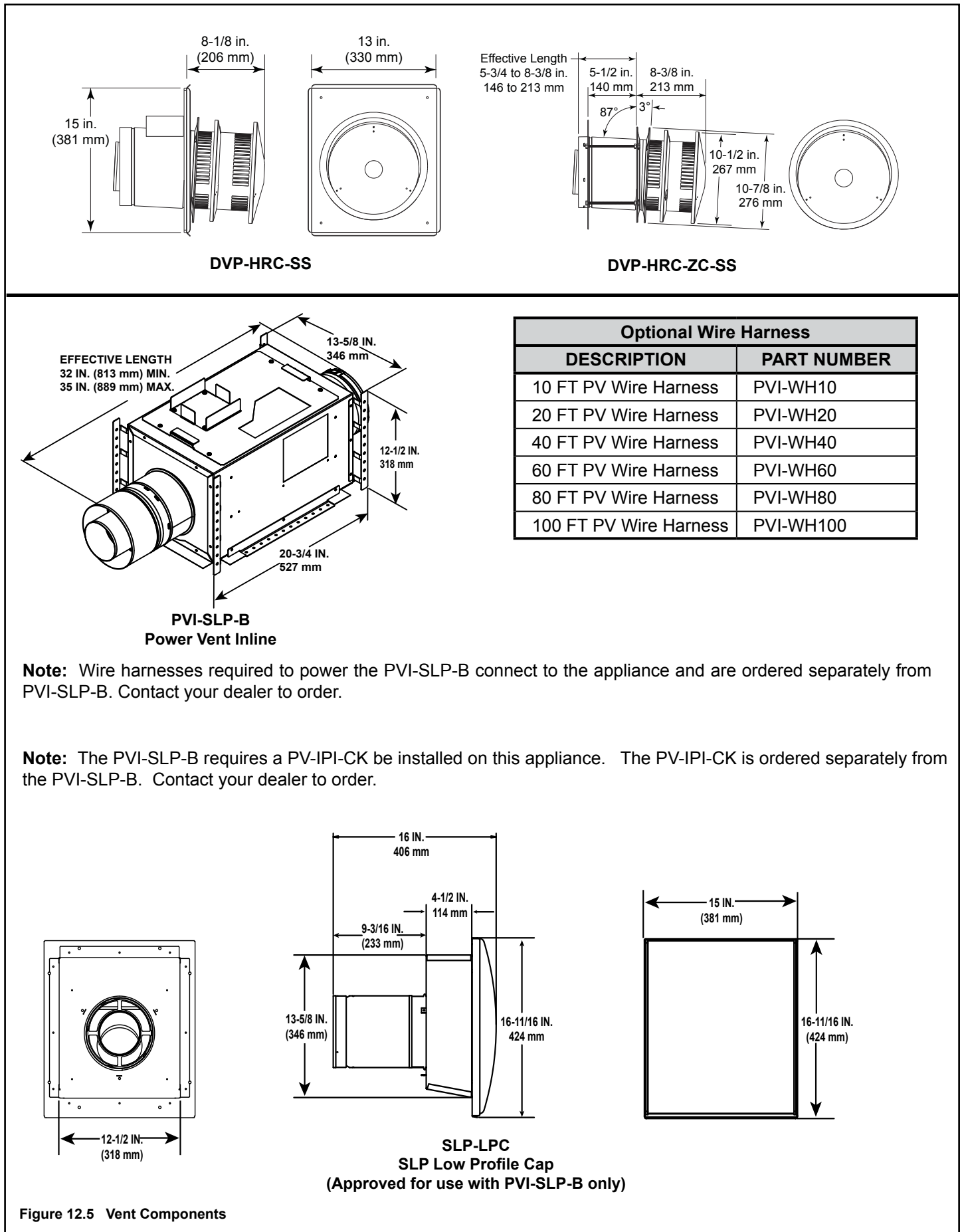
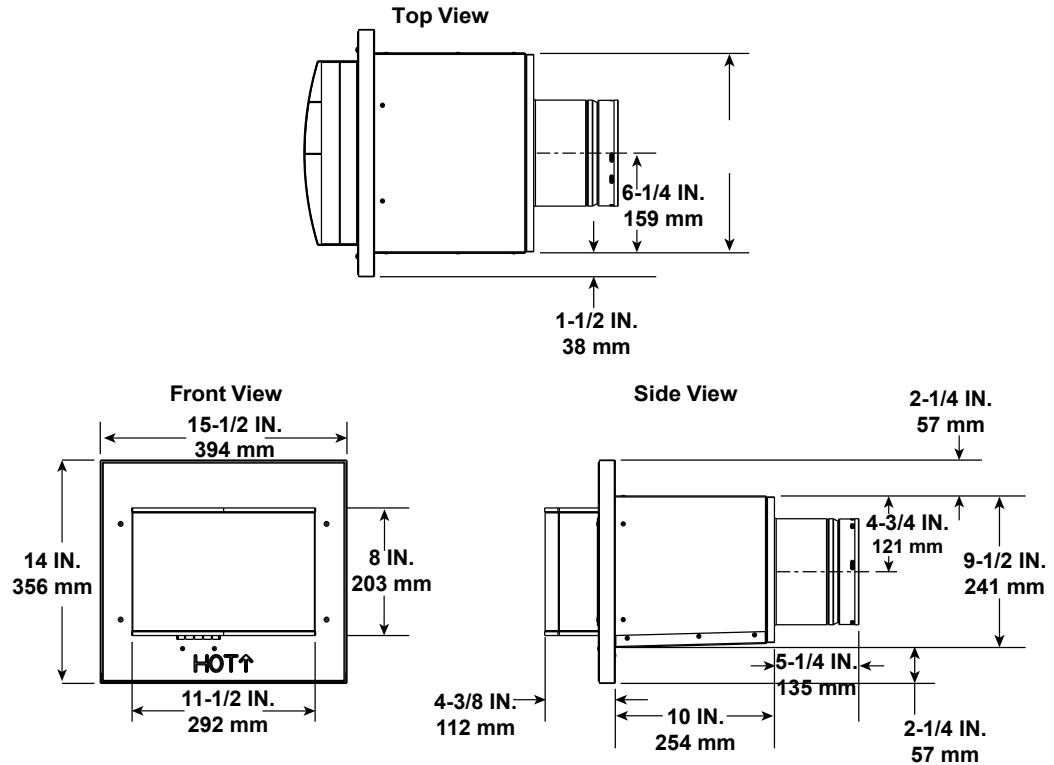


Figure 12.5 Vent Components

A. Vent Components Diagrams (continued)

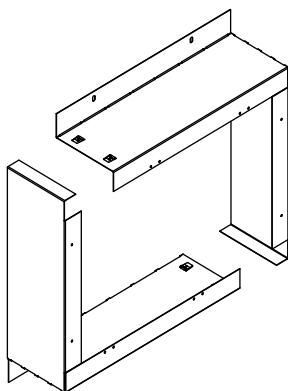


PVLP-SLP
Power Vent Low Profile

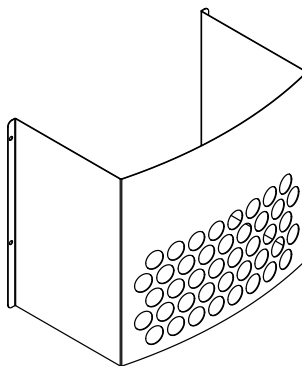
Note: Wire harnesses required to power the PVLP-SLP connect to the appliance and are ordered separately from PVLP-SLP. Contact your dealer to order.

Note: A PVLP-HS heat shield is available and sold separately. Use if the PVLP-SLP is installed in a high traffic area.

Note: The PVLP-SLP requires a PV-IPI-CK be installed on this appliance. The PV-IPI-CK is ordered separately from the PVLP-SLP. Contact your dealer to order.



PVLP-BEK
Brick Kit



PVLP-HS
Heat Shield

| Required Wire Harness | |
|------------------------|-------------|
| DESCRIPTION | PART NUMBER |
| 10 FT PV Wire Harness | PVI-WH10 |
| 20 FT PV Wire Harness | PVI-WH20 |
| 40 FT PV Wire Harness | PVI-WH40 |
| 60 FT PV Wire Harness | PVI-WH60 |
| 80 FT PV Wire Harness | PVI-WH80 |
| 100 FT PV Wire Harness | PVI-WH100 |

Figure 12.6 PVLP-SLP Vent Components

A. Vent Components Diagrams (continued)

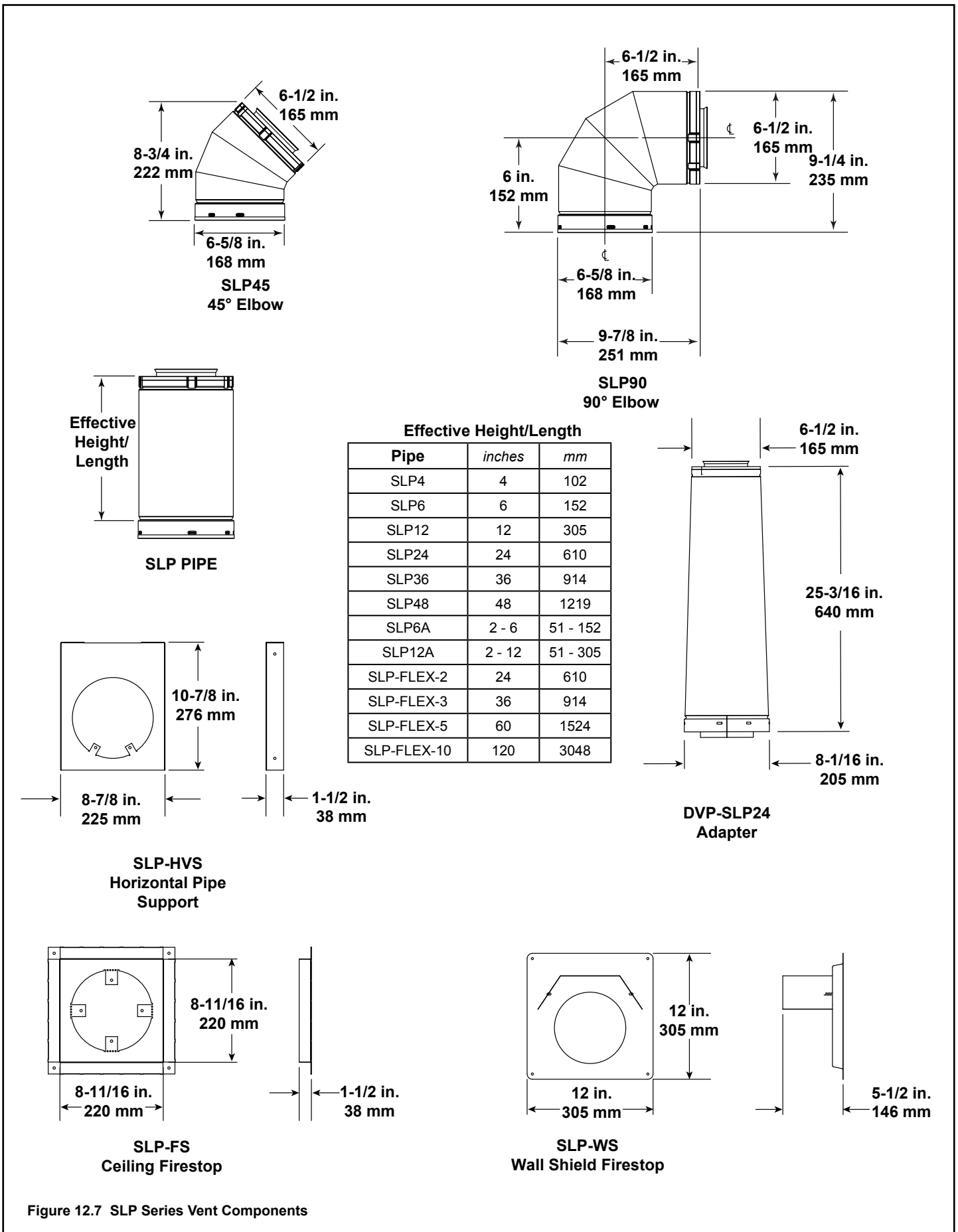
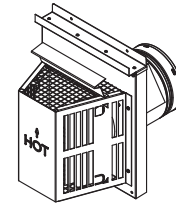
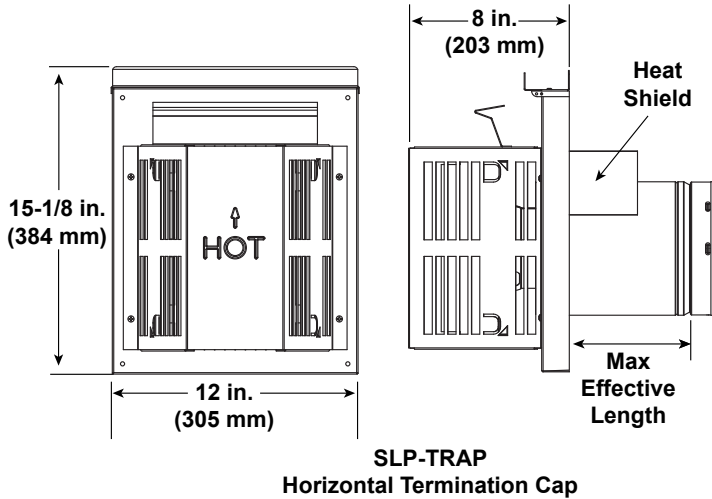


Figure 12.7 SLP Series Vent Components

A. Vent Components Diagrams (continued)

Note: Heat shields MUST overlap by a minimum of 1-1/2 in. (38 mm). The heat shield is designed to be used on a wall 4 in. to 7-1/4 in. (102 mm to 184 mm) thick. If wall thickness is less than 4 in. (102 mm) the existing heat shields must be field trimmed. If wall thickness is greater than 7-1/4 in. (184 mm) a DVP-HSM-B will be required.



| Term Cap | Minimum Effective Length | Maximum Effective Length |
|----------|--------------------------|--------------------------|
| Trap1 | 3-1/8 in. | 4-3/4 in. |
| | 79 mm | 121 mm |
| Trap2 | 5-1/4 in. | 9-1/4 in. |
| | 133 mm | 235 mm |

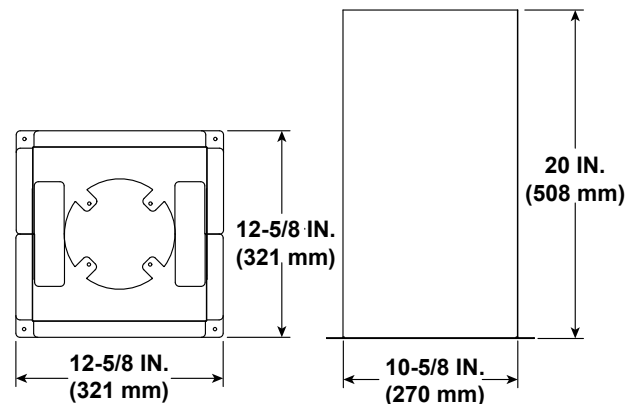
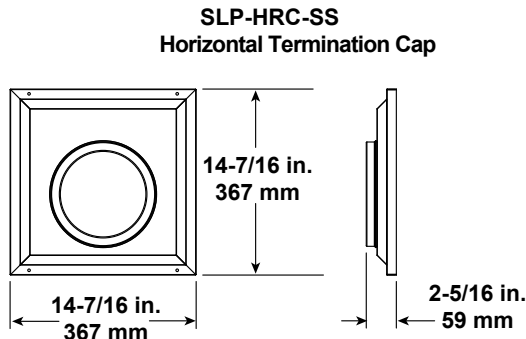
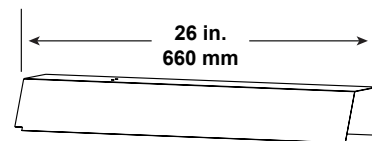
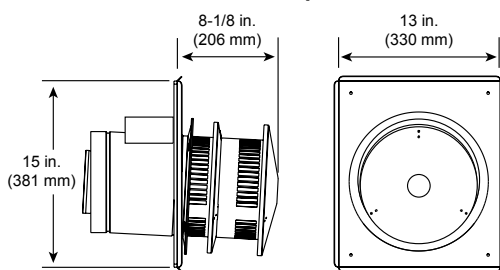
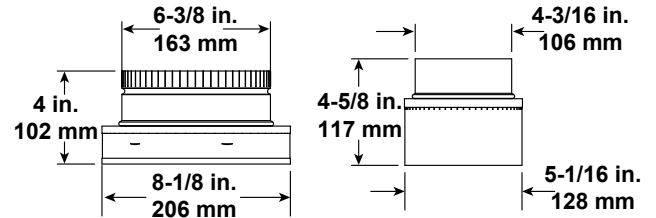
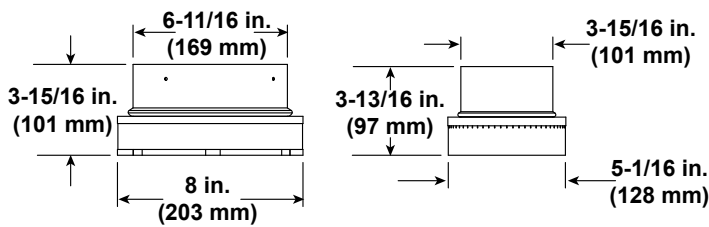


Figure 12.8 SLP Series Vent Components

A. Vent Components Diagrams (continued)

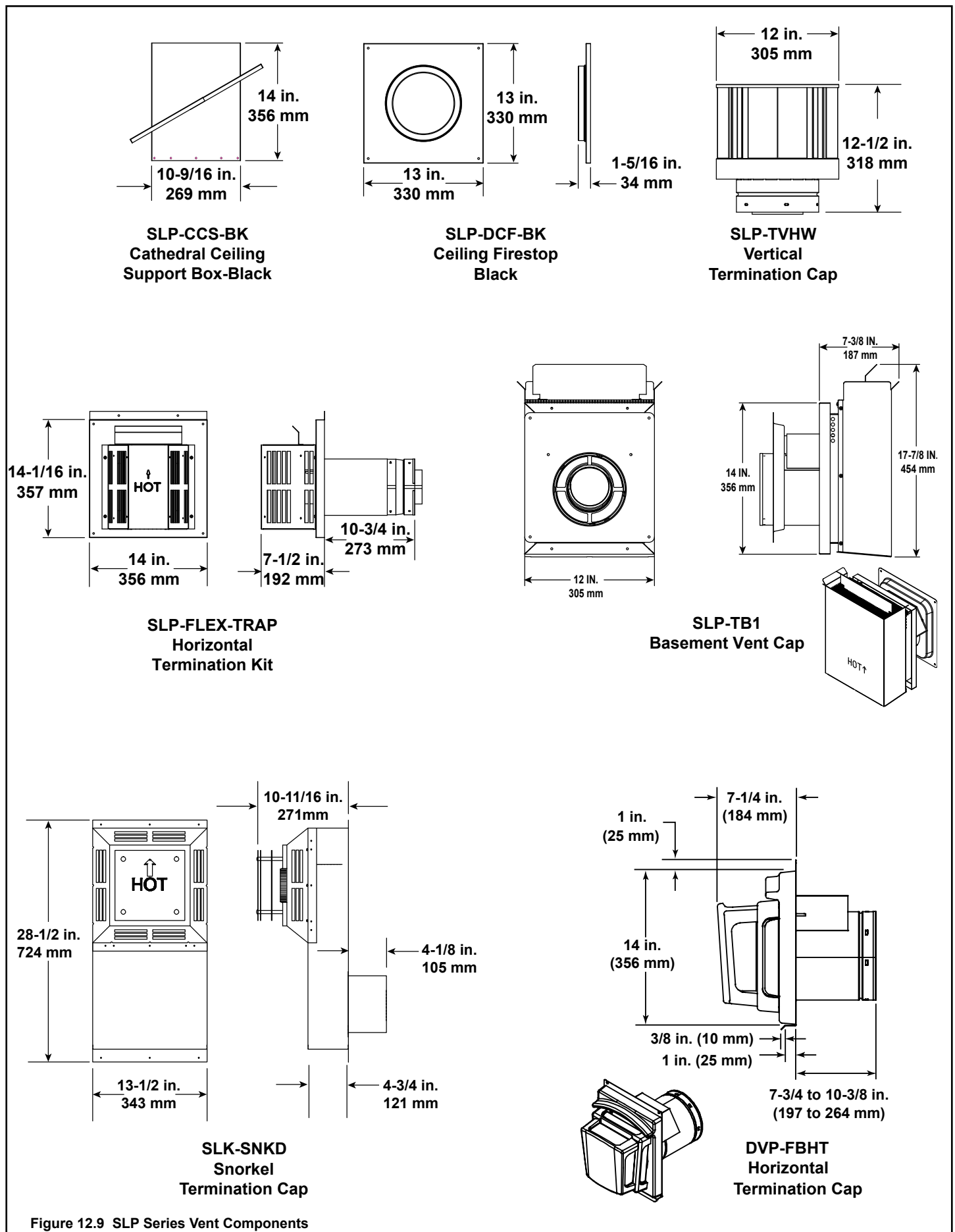


Figure 12.9 SLP Series Vent Components

A. Vent Components Diagrams (continued)

COAXIAL to COLINEAR VENTING

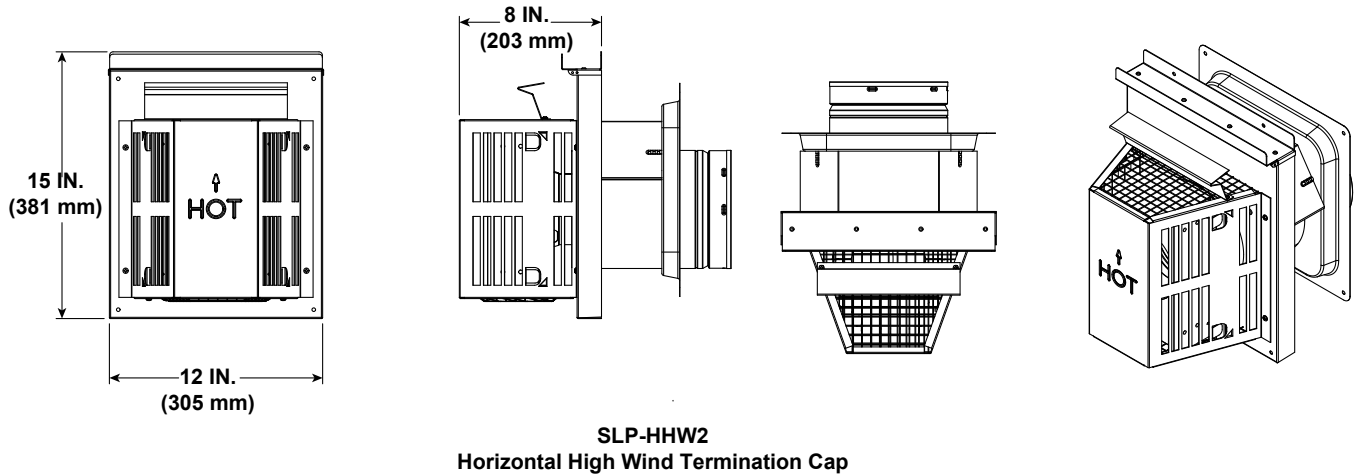


Figure 12.10 SLP series Vent Components

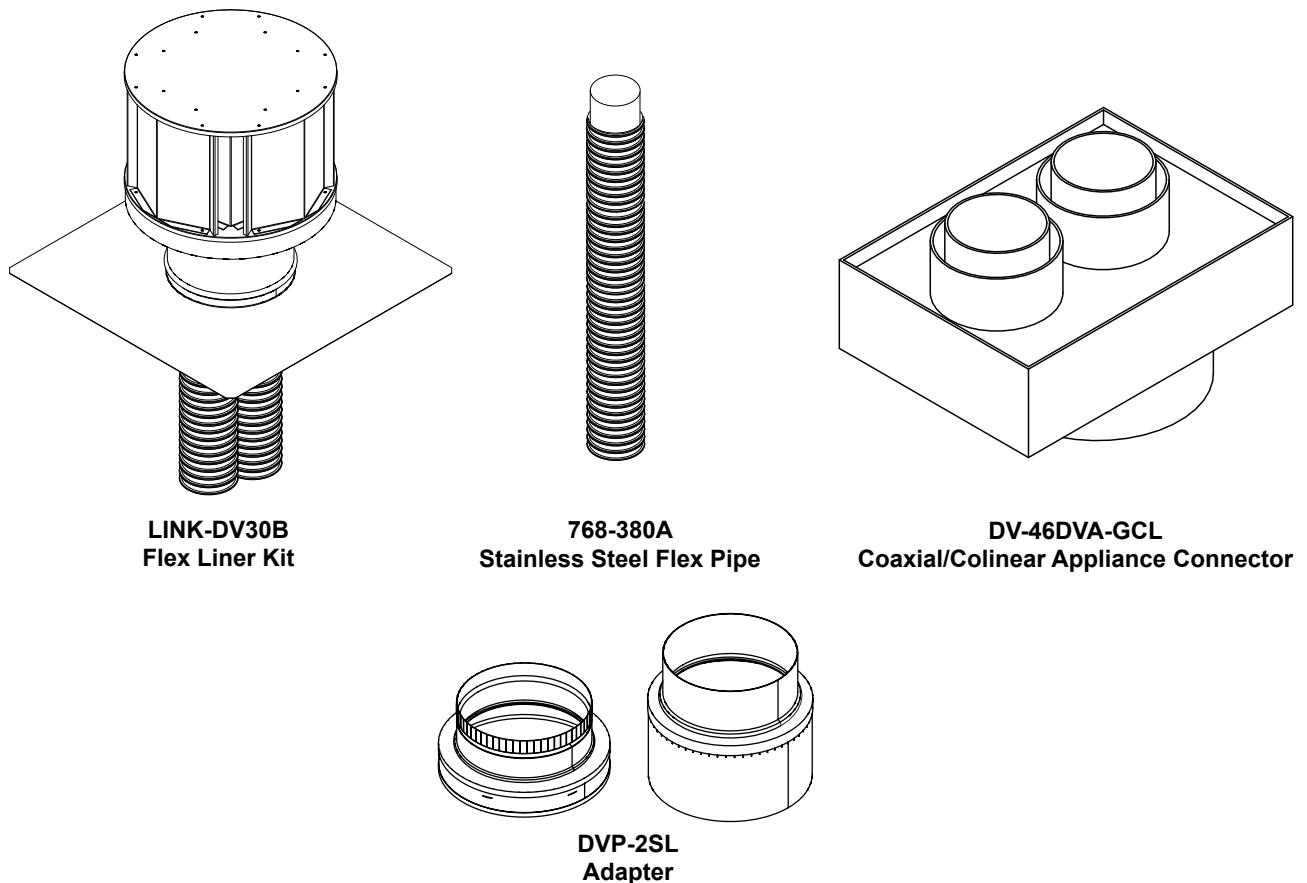


Figure 12.11 Coaxial to Colinear Vent Components

B. Accessories

Remote Controls, Wall Controls and Wall

Switches

Follow the instructions supplied with the control installed to operate your fireplace:

For safety:

- Install a switch lock or a wall/remote control with child protection lockout feature.
- Keep remote controls out of reach of children.

See your dealer if you have questions.

Optional Heat-Zone® Gas Kit

Follow the instruction supplied with the kit for operation.

- Preparation of the appliance for installation of the kit is discussed in Section 6.B.

Contact your dealer if you have questions.

Optional Black Magic Glass Kit

Follow the instructions supplied to install the kit. Contact your dealer if you have questions.

Heat & Glo, a brand of Hearth & Home Technologies
7571 215th Street West, Lakeville, MN 55044
www.heatnglo.com

Please contact your Heat & Glo dealer with any questions or concerns.
For the location of your nearest Heat & Glo dealer,
please visit www.heatnglo.com.

Printed in U.S.A. - Copyright 2017