

# AK-TV OUTSIDE AIR KIT

## - Installation and Operation Instructions -

The AK-TV Air Kit is used to bring in outside make-up and combustion air to solid wood fuel fireplaces and gas fireplaces. Check the fireplace instructions.

The air drawn into the fire chamber from outside the home or unheated area helps relieve the demand for combustion air being drawn into the fireplace from inside the home.

### CONTENTS OF SHIPPING CARTON

Compare contents of the shipping of the carton in Figure 1 with actual parts received. If any parts are missing or damaged, contact your dealer before starting installation.


**NOTE:** 4-inch Class 1 ducting material or metal duct may be used with AK-TV.

**WARNING:** Six inch duct must be used for installation of solid fuel fireplaces into a mobile home. (For installation in the state of New York, only aluminum non-combustible flexible or type "0" metal ducting is permissible).

### INSTALLATION PRECAUTIONS



### CAUTION




Sharp Edges

- Wear protective gloves and safety glasses during installation.

The duct termination should be located so it is exposed to an out-of-doors opening at least 100 square inches. If the duct termination must be located in a crawl space or basement, be sure the termination area has 100 square inches of ventilation opening to outside air.

The duct termination must be located so it does not compete for air flow with exhaust fans, gas vent hoods or other air consuming devices or appliances. It must not be obstructed by rafters, insulating materials, or other obstructions. The less restrictive the air supply, the better the AK-TV will perform.



### WARNING

Asphyxiation Risk.  
Fire Risk.

Do NOT draw outside combustion air from:

- Wall, floor or ceiling cavity.
- Enclosed space such as an attic or garage.
- Close proximity to exhaust vents or chimneys.

Fumes or odor may result.

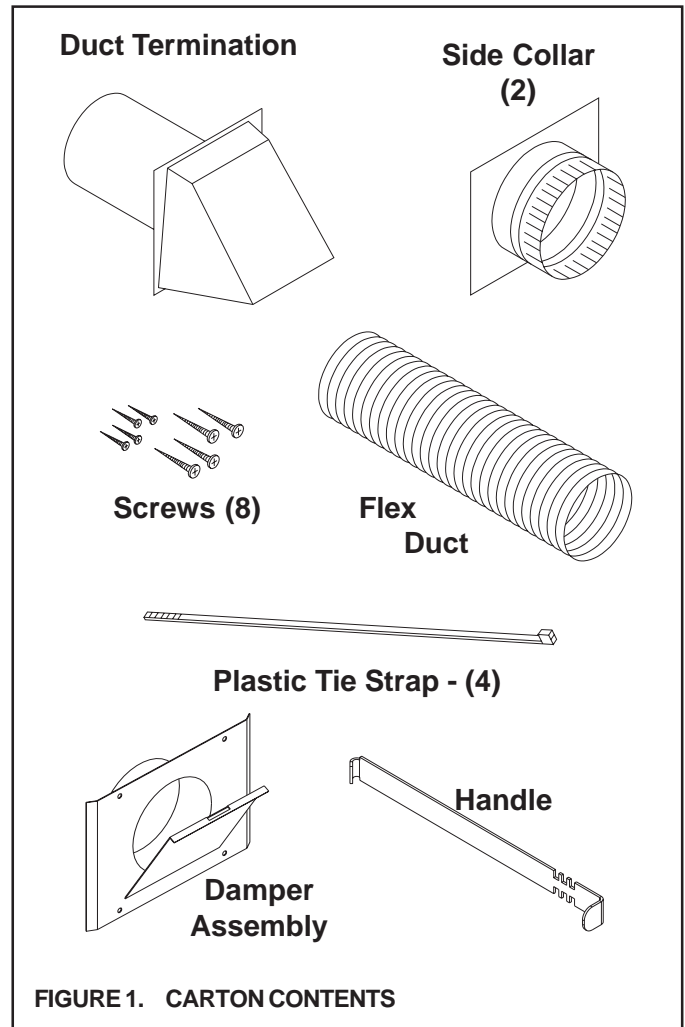
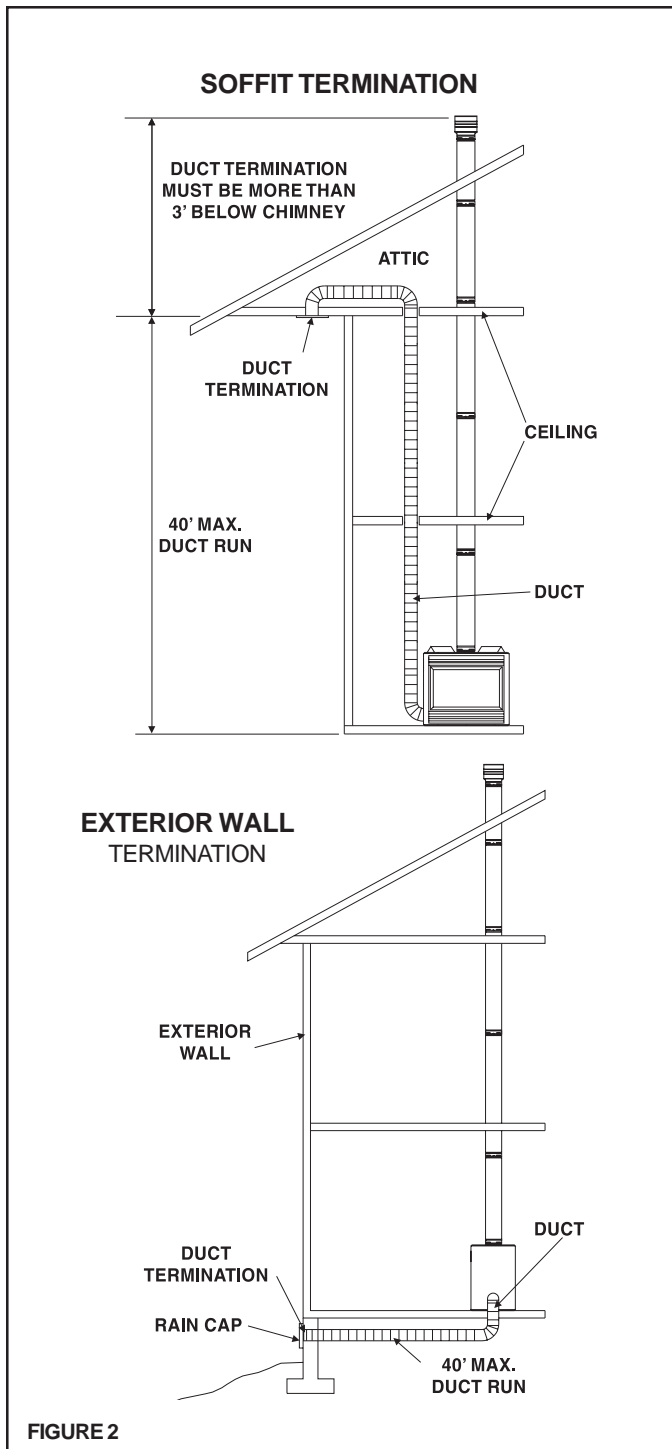


FIGURE 1. CARTON CONTENTS

### INSTALLATION INSTRUCTIONS

Determine the location of the fireplace as described in the fireplace installation manual. Then plan the location of the duct termination and the route of the duct run between the fireplace and the duct termination.

The duct run must be limited to a maximum distance of 40 feet from the fireplace pipe collar to duct termination. This will provide the least restriction to air flow. No more than four 90° elbows can be used. The duct run may be horizontal, vertical inclined or any combination for these for all models unless noted in the fireplace manual. Vertical duct runs must be at least three (3) feet below the fireplace chimney flue exit. See Figure 2.



### Gas Burning Fireplaces:

1. Remove and discard the outside air coverplate (or knock-out) located at the side or bottom of the fireplace. Use care not to rub against the sharp edges of this opening to avoid cuts. Some appliances may not have a cover plate.
2. Insert the narrow portion of the HANDLE into the slot on the DAMPER ASSEMBLY. Orient the DAMPER ASSEMBLY so the handle extends off the top and into the fireplace controls compartment. Secure in place over the opening on the fireplace using the provided screws (4). See Figure 3.

**NOTE:** Some gas fireplaces may have a round cutout for the outside air attachment. For these models, the DAMPER ASSEMBLY should be positioned from the inside of the fireplace controls compartment, with the collar protruding through the round cutout. Secure in the same manner.

**NOTE:** If using the AK-TV on an SL Series gas fireplace, rotate the damper assembly 90° counterclockwise so the door opens from the left to right.

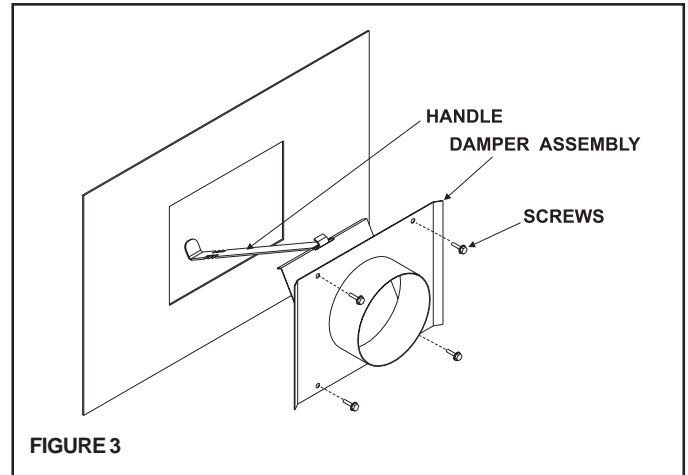


FIGURE 3

3. Slide the duct over the damper assembly collar and attach the duct to the collar using the plastic tie straps or three (3) screws (screws not provided). Continue attaching the ducting together using three (3) screws at each joint until you have installed sufficient duct to arrive at the desired location for the outside air source.
4. Install the duct termination assembly from the outside of the home. Cut a hole in the desired location, caulk around the hole, and slide the assembly through the opening from outside the home. Secure in place with screws. The assembly should be caulked around its perimeter to assure a tight seal. The opening should be positioned downward. See Figure 4.

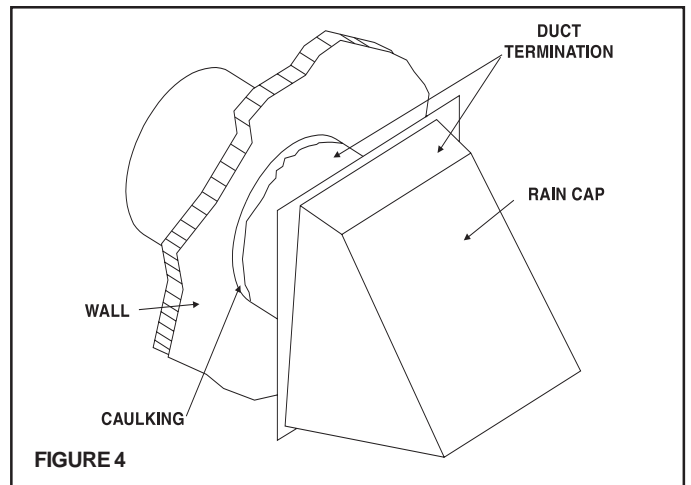


FIGURE 4

### Wood Burning Fireplaces:

5. Remove the 4 screws holding the cover plate over the outside air hole in the side of the fireplace's outer skin. Attach the 2 foot section of flex duct to one of the side collars with a plastic tie strap. Insert the flex duct through the outer skin all the way to the collar. Place the second side collar, (flat side towards the unit) against the other collar and using the screws previously removed, secure both collars to the fireplace outer skin.

Follow previous instructions to run air duct to inlet tube assembly.

Open lower grille and attach the flex duct to the duct collar on the underside of the fire chamber base. Secure by using a plastic tie strap. See Figure 5.

**NOTE:** The outside air damper control for models EM-41 and EM-48 is factory installed and is located behind the lower grill in the middle of the unit. To open the damper, pull the control rod forward and left until the damper locks into open position. The damper **MUST** be open for the unit to operate properly. The damper assembly provided with this kit will not be used with these models.

6. The AK-TV Outside Air Kit is now installed and ready for use.

### OPERATION PRECAUTIONS AND INSTRUCTIONS

#### For all solid wood fuel fireplaces:

When operating with glass doors, open the doors and close the fireplace outside air damper so your fire will be started using room air. After the fire is well started, you may open the outside air control and close the doors to provide air to the fire.

#### For gas fireplaces:

When lighting your gas fireplace, you **MUST** always first open the combustion air damper for the unit to operate and the glass doors **MUST** be in place. To open pull handle towards the center of the fireplace.

Periodically inspect the duct termination assembly for any blockage. Correct if necessary.

For maximum benefit and efficient usage, refer to operating instructions in owner's manual.

Replacement parts and service may be obtained through your dealer.

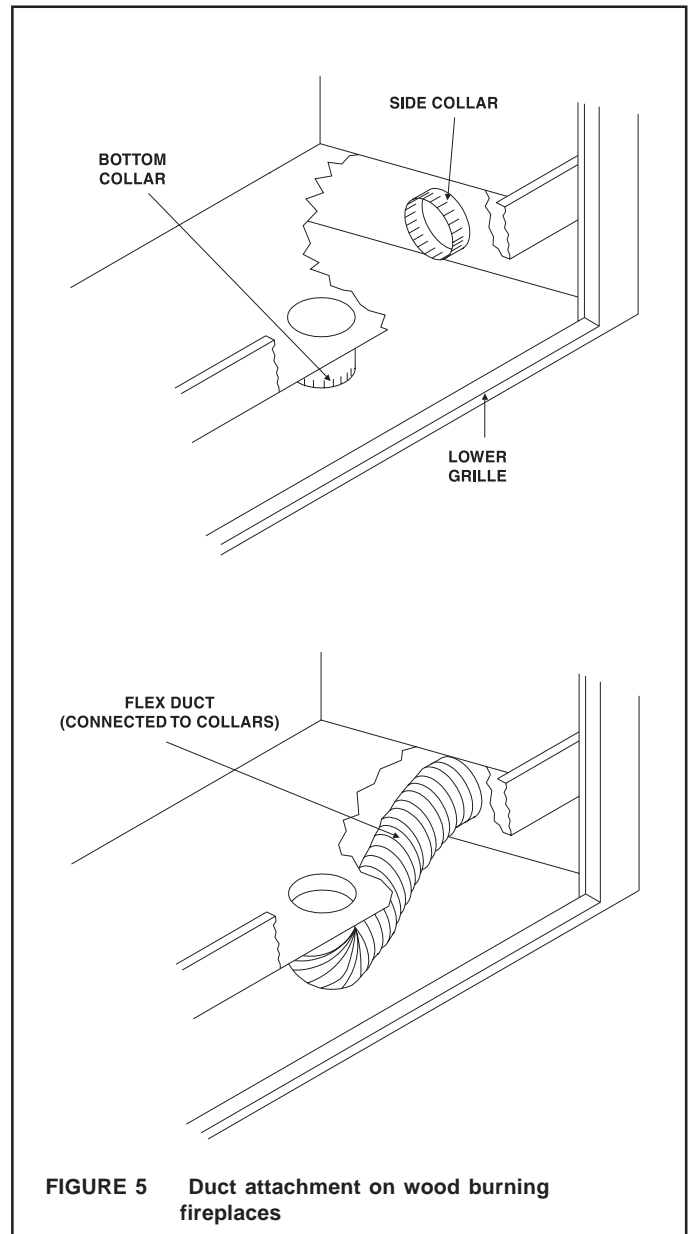


FIGURE 5 Duct attachment on wood burning fireplaces