



# fire pit tables

Light up the night and add ambiance to your outdoor space with beautiful gas fire pit tables. These glowing fires will become the place to gather with family and friends for years to come. Find a warm, cozy fire for every season.



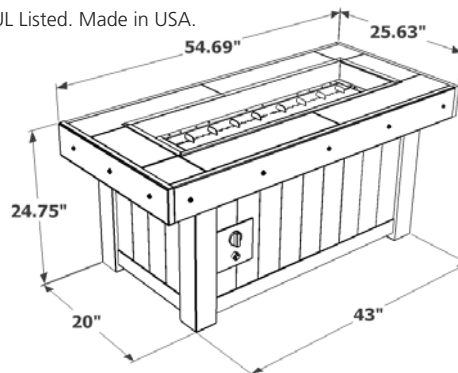
THE OUTDOOR  
GREATROOM  
COMPANY

# vintage linear



VNG-1242BRN with optional GLASS GUARD-1242

- Colorful faux-wood tile top with Honey Glow Brown color coated Stainless Steel burner
- Access door conceals standard 20 lb. propane tank in base
- Distressed cedar paneled base is unique to each fire pit table, wood color and grain pattern will vary
- Grey glass burner cover included
- Optional GLASS GUARD-1242 and CVR5727 protective cover
- UL Listed. Made in USA.

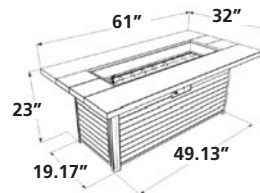


# cedar ridge



CR-1242-K with optional GLASS GUARD-1242

- Taupe composite decking base with access door
- Grey tone Washed Cedar Supercast top with matching burner cover
- Access door conceals standard 20 lb. propane tank in base
- Optional GLASS GUARD-1242 and CVR6332 protective cover
- UL Listed

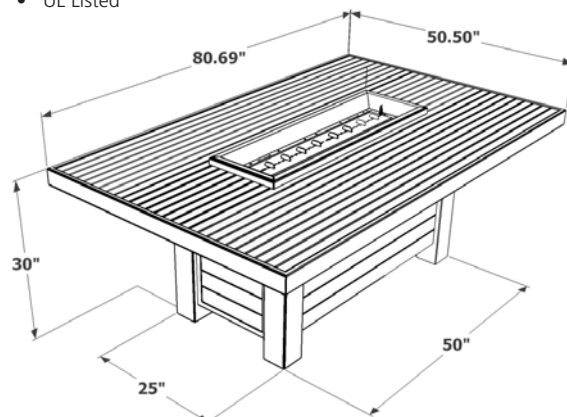


# kenwood linear dining



KW-1242-K with optional GLASS GUARD-1242

- Easy to maintain Brown composite decking top & base
- Graphite Grey powder coated aluminum frame
- Pair with optional Kenwood Benches (KW-LB & KW-SB) or Lyndale Swivel Rocking Chairs (LSR-CS shown to left)
- Access door conceals standard 20 lb. propane tank in base
- Optional GLASS GUARD-1242 and CVR8355 protective cover
- Grey glass burner cover included
- UL Listed

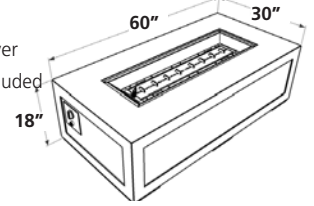


# cove linear



CV-1242

- Natural Grey Supercast base with Black color coated Stainless Steel burner
- Contemporary Natural Grey concrete finish is unique to each, common attributes include pitting and color density variation
- Optional Tumbled or Black Lava Rock (LAV-TMB or LAVA-BLK), GLASS GUARD-1242, & CVR6332 protective cover
- Grey glass burner cover included
- Does not fit 20 lb. LP tank in base
- UL Listed. Made in USA.



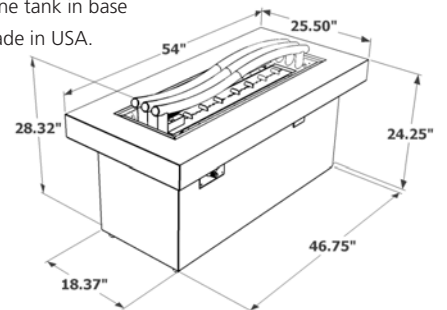
Optional Tumbled Lava Rock LAV-TMB

# boreal complete heat



BCH-1242-LP with optional GLASS GUARD-1242 and LIGHT-KT

- Polished Midnight Mist Supercast top with Black Fleck stucco base and Heat Exchange System
- Fan with 110v plug-in directs heat from burner tubes through the bottom of the base to heat your feet
- Order set up for liquid propane (BCH-1242-LP) or natural gas (BCH-1242-NG)
- Optional GLASS GUARD-1242, CVR5427 protective cover, and LED Light Kit (LIGHT-KT)
- Access door conceals standard 20 lb. propane tank in base
- UL listed. Made in USA.



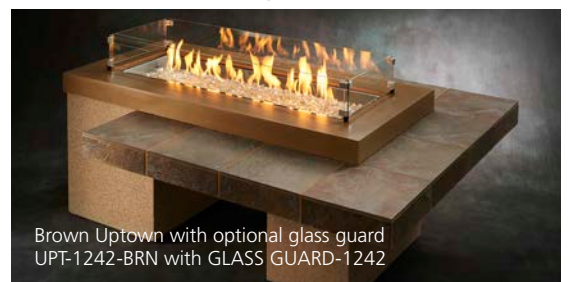
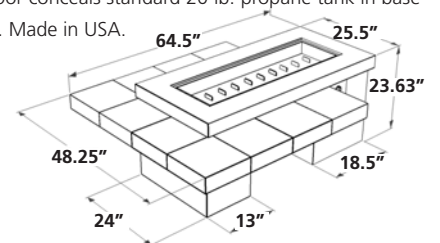
# uptown



Black Uptown UPT-1242

Polished Midnight Mist Supercast Detail

- Absolute Black granite tile with Polished Midnight Mist Supercast on Midnight Storm stucco base or Polished Brown Supercast with Sanjani porcelain tile on Stony Creek stucco base
- Grey glass burner cover included
- Optional GLASS GUARD-1242 and CVR6549 protective cover
- Access door conceals standard 20 lb. propane tank in base
- UL Listed. Made in USA.



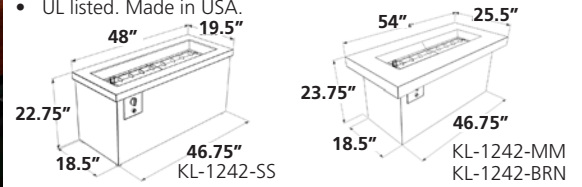
Brown Uptown with optional glass guard UPT-1242-BRN with GLASS GUARD-1242

# key largo



Stainless Steel Key Largo with optional glass guard  
KL-1242-SS with GLASS GUARD-1242

- Stainless Steel trim or Polished Midnight Mist Supercast with Black Fleck stucco base, or Polished Brown Supercast top with Serengeti stucco base
- Exterior grade frame & stucco finish base
- Grey glass burner cover included
- Optional GLASS GUARD-1242 and CVR5020 (for KL-1242-SS) or CVR5427 (for KL-1242-BRN & KL-1242-MM) protective covers
- Access door conceals standard 20 lb. propane tank in base
- UL listed. Made in USA.



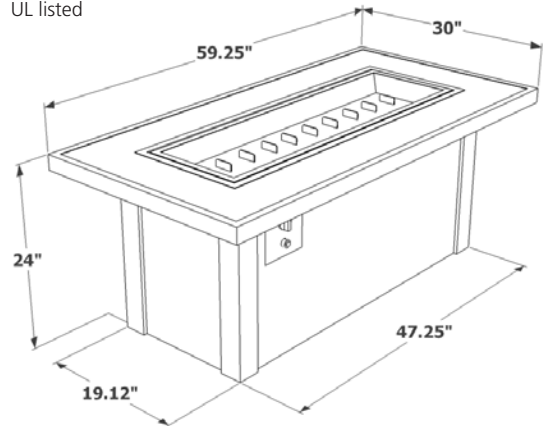
Brown Key Largo with optional glass guard  
KL-1242-BRN with GLASS GUARD-1242

# monte carlo



MCR-1242-BLK-K with GLASS GUARD-1242

- Black powder coated metal base
- Black glass top
- Grey glass burner cover Included
- Access door conceals standard 20 lb. propane tank in base
- Optional GLASS GUARD-1242 & CVR6332 protective cover
- UL listed

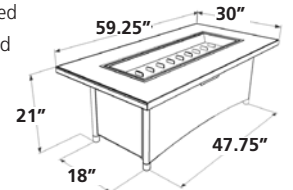


# montego



Black Montego Fire Pit Table  
MG-1242-BLK-K

- Black or Balsam wicker base
- Black glass top
- Optional GLASS GUARD-1242 and CVR6332 protective cover
- Grey glass burner cover included
- Access door conceals standard 20 lb. propane tank in base
- UL listed



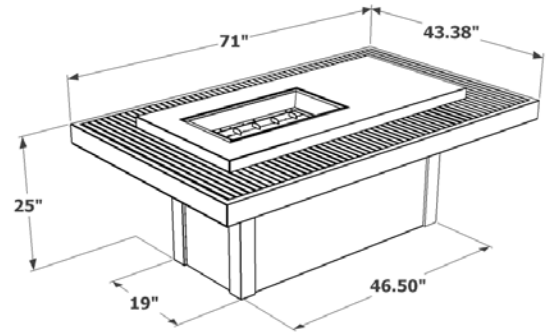
Balsam Montego Fire Pit Table  
MG-1242-BLSM-K

# boardwalk



BOARDWALK with optional GLASS GUARD-1224

- Modern multi-level design
- White Onyx Supercast with Taupe composite decking top
- Black powder coated metal base
- Grey glass burner cover included
- Optional GLASS GUARD-1224 and CVR7345 protective cover
- Access door conceals standard 20 lb. propane tank in base
- UL listed. Made in USA.

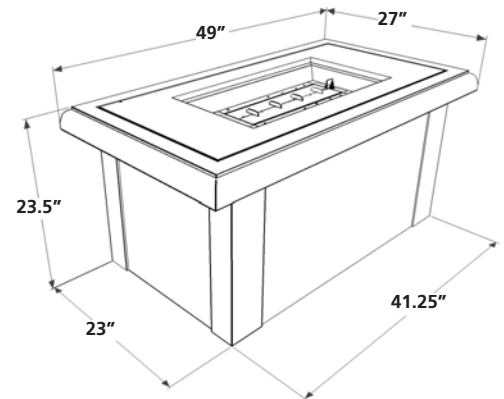


# sierra linear



SL-1224-M-K with optional GLASS GUARD-1224

- Outdoor-rated faux stone and durable Mocha Supercast top
- Access door conceals standard 20 lb. propane tank in base
- Comes with recessed Supercast burner cover
- Optional GLASS GUARD-1224 and CVR5132 protective cover
- Available unfinished to apply your own custom finish base
- UL Listed. Made in USA.



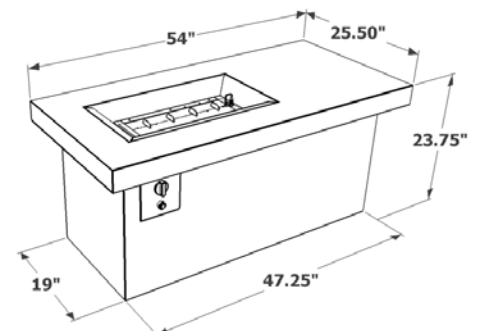
# artisan



ART-1224-BRN-C with optional GLASS GUARD-1224

Marbleized Artisan Supercast

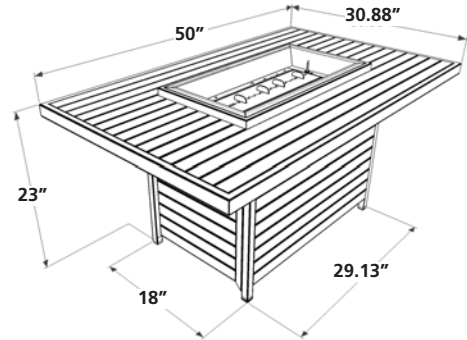
- Marbleized Artisan Supercast top unique to each table- Color intensity may vary, lighter or darker
- Exterior grade frame & Serengeti stucco finish
- Copper color coated Stainless Steel burner
- Grey glass burner cover included
- Optional GLASS GUARD-1224 and CVR5427 protective cover
- Access door conceals standard 20 lb. propane tank
- UL listed. Made in USA.



# kenwood rectangular chat



- Brown composite decking
- Graphite Grey powder coated aluminum frame
- Access door conceals standard 20 lb. propane tank in base
- Pair with optional Kenwood Short Bench (KW-SB)
- Grey glass burner cover included
- Optional GLASS GUARD-1224 and CVR5132 protective cover
- UL Listed

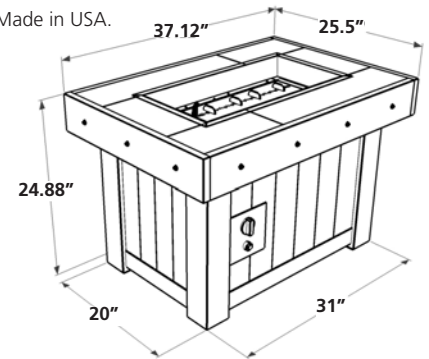


KW-1224-K with optional GLASS GUARD-1224

# vintage rectangular



- Colorful faux-wood tile top with Honey Glow Brown color coated Stainless Steel burner
- Access door conceals standard 20 lb. propane tank in base
- Distressed cedar paneled base is unique to each fire pit table, wood color and grain pattern will vary
- Grey glass burner cover included
- Optional GLASS GUARD-1224 and CVR3727 protective cover
- UL Listed. Made in USA.

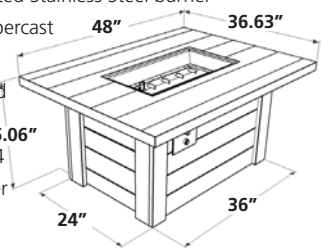


VNG-1224BRN

# alcott



- Antique Timber Supercast top with White Washed Shiplap cedar base
- Honey Glow Brown color coated Stainless Steel burner
- Matching Antique Timber Supercast burner cover included
- Access door conceals standard 20 lb. propane tank in base
- Optional GLASS GUARD-1224 and CVR5038 protective cover
- UL Listed. Made in USA.



ALC-1224 with optional GLASS GUARD-1224

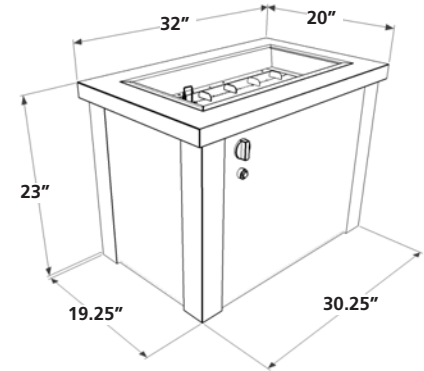


RECTANGULAR

# providence stainless steel



- Stainless Steel trim top
- Access door conceals standard 20 lb. propane tank in base
- Black powder coated metal base
- Grey glass burner cover included
- Optional GLASS GUARD-1224 and CVR3727 protective cover
- UL Listed. Made in USA.

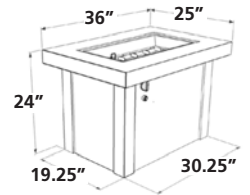


PROV-1224-SS

# providence supercast



- White Onyx Supercast top with Black powder coated metal base or Marbleized Noche Supercast top with Architectural Bronze powder coated metal base
- Access door conceals standard 20 lb. propane tank in base
- Grey glass burner cover included
- Optional GLASS GUARD-1224 and CVR3727 protective cover
- UL Listed. Made in USA.



Marbleized Noche Providence with optional glass guard  
PROV-1224-MNB-K with GLASS GUARD-1224

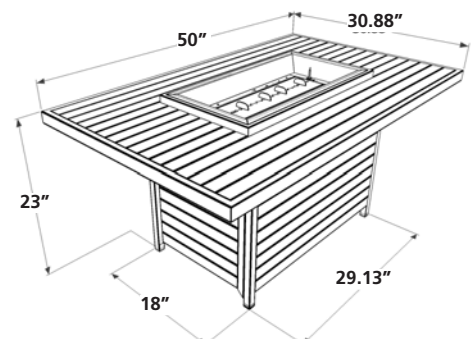


White Onyx Providence  
PROV-1224-WO-K

# brooks



- Easy to maintain Taupe composite decking top and base
- Graphite Grey powder coated aluminum framing
- Grey glass burner cover included
- Optional GLASS GUARD-1224 and CVR5132 protective cover
- Access door conceals standard 20 lb. propane tank in base
- UL Listed



BRK-1224-K with optional GLASS GUARD-1224

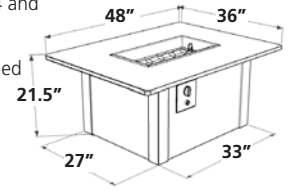
RECTANGULAR

# grandstone



Absolute Black Grandstone  
GS-1224-BLK-K

- British Brown granite on a Sedona Brown powder coated metal base or Absolute Black granite on a Black powder coated metal base
- Access door conceals standard 20 lb. propane tank in base
- Optional GLASS GUARD-1224 and CVR5038 protective cover
- Grey glass burner cover included
- UL Listed



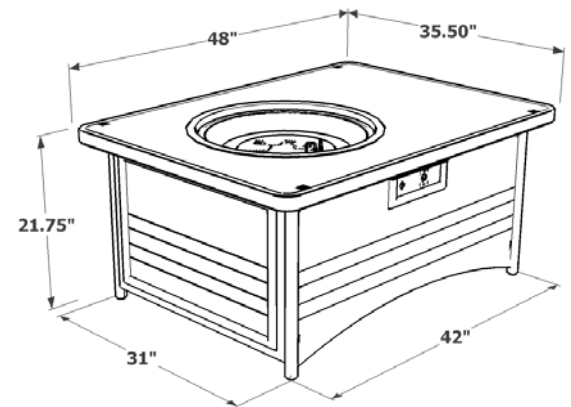
British Brown Grandstone with optional glass guard  
GS-1224-BRN-K with GLASS GUARD-1224

# naples



NAPLES-CT-B-K

- Outdoor-rated resin Balsam color wicker, Black glass top
- Aluminum frame built to last and won't rust
- Access door conceals standard 20 lb. propane tank in base
- Includes Black glass burner cover
- Optional GLASS GUARD-20-R and CVR5038 protective cover
- UL Listed



Customer safety is important to OGC—we ensure all of our Crystal Fire™ Burners are UL listed for safety and products are made of the highest quality, outdoor-rated materials.

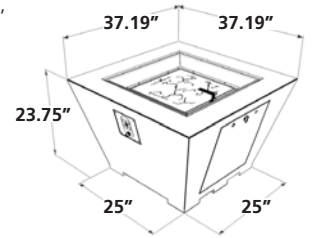


# cove square



CV-2424 with optional GLASS GUARD-2424

- Natural Grey Supercast base with square Black color coated Stainless Steel burner
- Contemporary Natural Grey concrete finish is unique to each fire pit, common attributes include pitting and color density variation
- Access door conceals standard 20 lb. propane tank in base
- Grey glass burner cover included
- Optional Tumbled or Black Lava Rock (LAV-TMB or LAVA-BLK), CVR3939 protective cover, and GLASS GUARD-2424
- UL Listed. Made in USA.

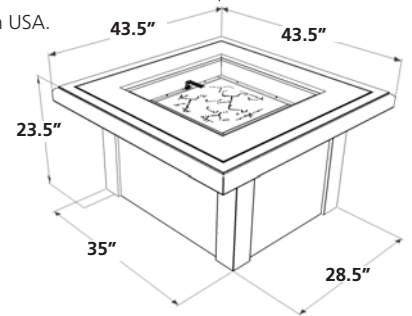


# sierra square



SIERRA-2424-M-K

- Outdoor-rated faux stone and durable Mocha Supercast top
- Access door conceals standard 20 lb. propane tank in base
- Comes with matching recessed Supercast burner cover
- Base available unfinished to apply your own custom finish
- Optional GLASS GUARD-2424 and CVR4444 protective cover
- UL Listed. Made in USA.

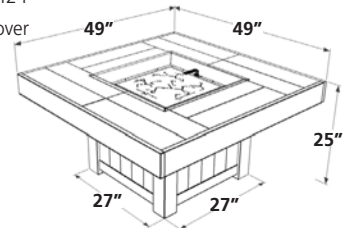


# vintage square

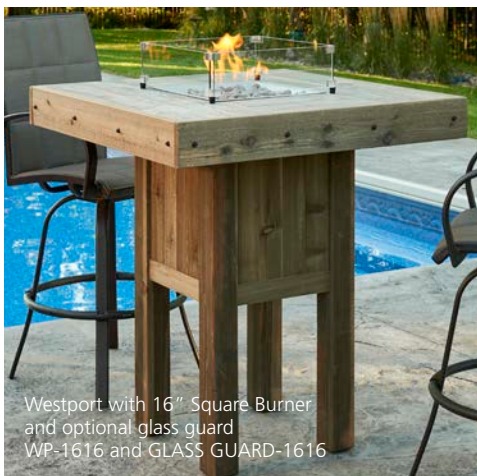


VNG-2424BRN

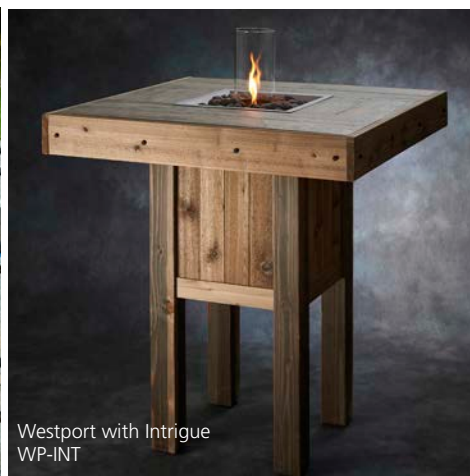
- Colorful faux-wood tile top with Honey Glow Brown color coated Stainless Steel burner
- Access door conceals standard 20 lb. propane tank in base
- Distressed cedar paneled base is unique to each fire pit table, wood color and grain pattern will vary
- Grey glass burner cover included
- Optional GLASS GUARD-2424 and CVR5151 protective cover
- UL Listed. Made in USA.



# westport

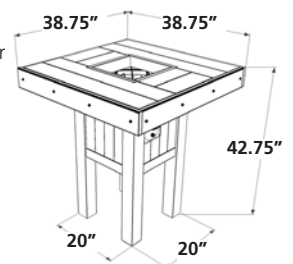


Westport with 16" Square Burner and optional glass guard WP-1616 and GLASS GUARD-1616



Westport with Intrigue WP-INT

- Distressed faux-wood tile top with either Pewter color coated Stainless Steel burner with fire glass gems (WP-1616) or Intrigue Outdoor Lantern (WP-INT) with Tumbled Lava Rock.
- Access door conceals standard 20 lb. propane tank or Intrigue housing for 1 lb. tank
- Distressed cedar paneled base is unique to each table, wood color and grain pattern will vary
- Grey glass burner cover included with WP-1616
- Optional GLASS GUARD-1616 & CVR4040 protective cover
- UL Listed. Made in USA.



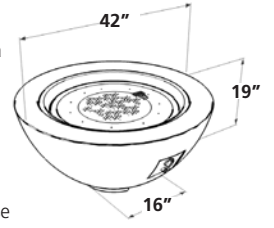
SQUARE

# cove 30 fire pit bowl



CV-30 with optional GLASS-GUARD-30-R

- Natural Grey Supercast bowl with 30" round Stainless Steel burner
- Contemporary Natural Grey concrete finish is unique to each fire bowl, common attributes include pitting and color density variation
- Optional Tumbled or Black Lava Rock (LAV-TMB or LAVA-BLK), GLASS GUARD-30-R, CVR42 protective cover
- Grey glass burner cover included
- Does not fit 20 lb. LP tank in base
- UL Listed. Made in USA.



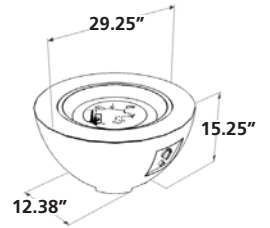
CV-30, CV-20, and CV-12

# cove 20 fire pit bowl



CV-20

- Natural Grey Supercast bowl with 20" round Stainless Steel burner
- Contemporary Natural Grey concrete finish is unique to each fire bowl, common attributes include pitting and color density variation
- Optional Tumbled or Black Lava Rock (LAV-TMB or LAVA-BLK), GLASS GUARD-20-R, & CVR36 protective cover
- Grey glass burner cover included
- Does not fit 20 lb. LP tank in base
- UL Listed. Made in USA.



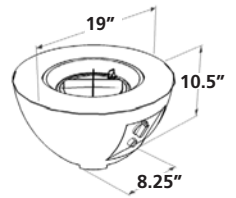
CV-20 with GLASS GUARD-20-R and CFP42-RCH-P

# cove 12 fire pit bowl



CV-12

- Natural Grey Supercast bowl with 12" round Stainless Steel burner
- Contemporary Natural Grey concrete finish is unique to each fire bowl, common attributes include pitting and color density variation
- Optional Tumbled or Black Lava Rock (LAV-TMB or LAVA-BLK), GLASS GUARD-12-R, and CVR20 protective cover
- Grey glass burner cover included
- Does not fit 20 lb. LP tank in base
- UL Listed. Made in USA.



CV-12 pair

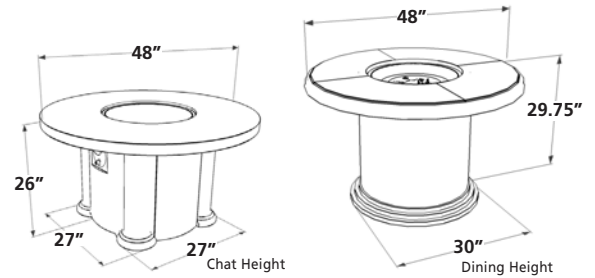
ROUND

# marbleized noche colonial



Chat height base shown with optional glass guard  
COL-48-MNB-K with GLASS-GUARD-20-R

- Marbleized Noche Supercast top on a Dora Brown fiberglass base
- Chat or dining height
- Matching Supercast burner cover
- Access door conceals standard 20 lb. propane tank in base
- Optional GLASS GUARD-20-R and CVR50 protective cover
- UL Listed. Made in USA.



# grand colonial



Brown Grand Colonial with dining base  
GC-48-DIN-K

- Absolute Black granite on a Black fiberglass base or British Brown granite on a Dora Brown fiberglass base
- British Brown granite available on chat or dining height base. Absolute Black granite in chat height only.
- Matching granite lazy susan burner cover
- Access door conceals standard 20 lb. propane tank in base
- Optional GLASS GUARD-20-R and CVR50 protective cover
- UL Listed



Black Grand Colonial  
GC-48-BLK-K

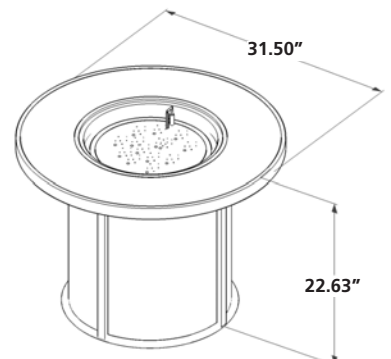
# stonefire



SF-32-K

Matching Stonefire Burner Cover

- Stonefire composite top with Dora Brown powder coated aluminum frame with Brown mesh base
- Includes matching Stonefire composite burner cover
- Access door conceals standard 20 lb. propane tank in base
- Optional CVR36 protective cover
- 16" Stainless Steel burner
- UL Listed



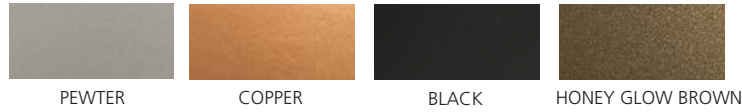
ROUND

# crystal fire™ burners

Purchase any of our burners separately to create your own fire pit. All burners come with propane and natural gas orifice. Call for a quote on a custom linear burner up to 10 ft. Color coated burners available for additional \$50 (3 weeks lead time.) UL Listed Crystal Fire™ Burners come standard in stainless steel with Clear Tempered Glass Fire Gems.

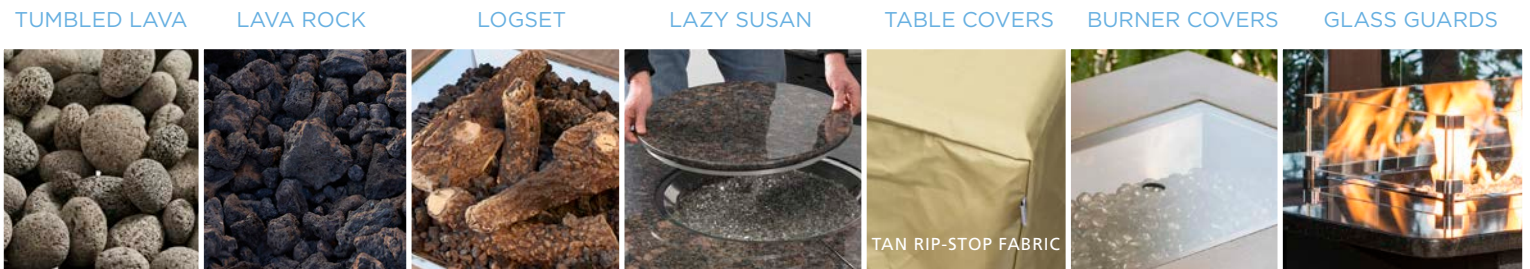


BURNERS CAN BE CUSTOM ORDERED IN FIVE COLORS:



# glass media and accessories

Crystal Fire™ Glass lights up Crystal Fire™ Burners with an ember-like glow. Comes standard with Clear Tempered Glass Fire Gems. Optional colors and shapes can be ordered separately. 15 styles to choose from plus lava rock.



## PERGOLAS



## OUTDOOR KITCHENS



## FURNITURE



## CUSTOM & COMMERCIAL



## GAS FIREPLACES



## TABLE TOP LANTERNS



## INDOOR FIREPLACES



## INDOOR ACCESSORIES

