



# Harman Clarity Gas Fireplace Insert



Optional Sunrise Arch

Gas fire convenience with  
the ambiance of wood.

## Clarity Insert

The Clarity Insert is available in two styles of gold window trim: the very popular **Clarity Arch** for a contemporary look and the new **Sunrise Arch** for a touch of New England charm.

The Clarity also gives you choices on the type of fire you want with three flame adjustments that can be set to your preference while the fire is burning. Turn the flames up for a bright fire or down to see more log glow, as shown in photos on front.

Controls are easy to reach and simple to operate, and four corner leveling bolts make installation on an uneven hearth quick and easy. A removable burner module makes for easy access to internal parts, and a special fire tube heat exchanger increases efficiency without increasing the size of the unit.

The Clarity Insert is backed by the **Harman Gold Warranty** which covers mechanical and electrical failure for three years including labor. Material and workmanship are covered for six years.

## Features:

- Two attractive gold trim packages
- Beautiful flame pattern and log glow
- Adjustable flame height while fire is burning
- Removable burner module
- Easy-to-reach switch
- Variable-speed blower
- High-efficiency heat exchanger
- Burns without electricity
- Gold Warranty

## Options:

- Sunrise Gold Frame
- Variety of colors
- Thermostat

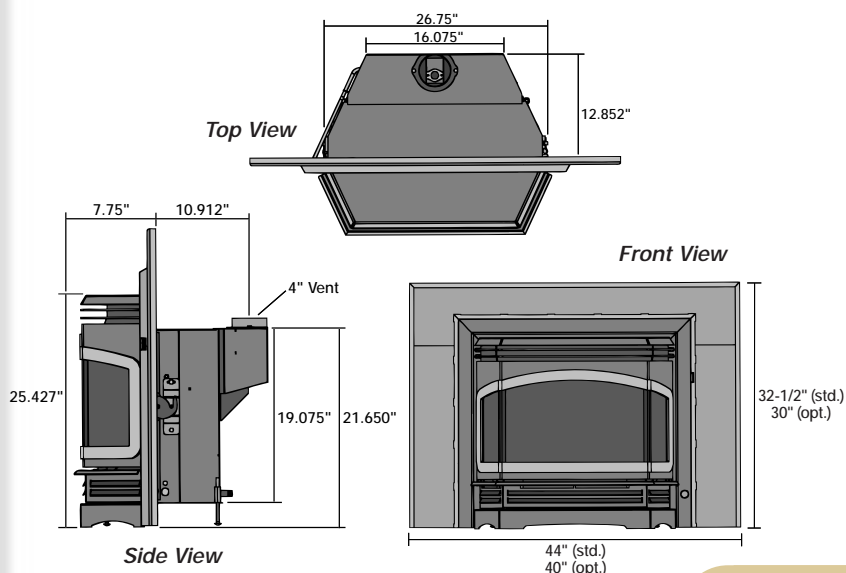
## Specifications:

<b>Weight</b>	<b>238 pounds</b>
<b>BTU Range</b>	<b>25,000 to 37,000</b>
<b>Fuel</b>	<b>Natural Gas or Propane</b>
<b>Variable Speed Blower</b>	<b>Standard</b>
<b>Blower Output</b>	<b>130 cfm</b>
<b>Removable Burner Module</b>	<b>Standard</b>
<b>On/Off/Thermostat Switch</b>	<b>Standard</b>
<b>Thermostat Ready</b>	<b>Yes</b>
<b>Remote Control Ready</b>	<b>Yes</b>

## Clearance to Combustibles:

<b>Side of Stove to Wall</b>	<b>10 inches</b>
<b>Top of Stove to Mantle</b>	<b>12 inches</b>

## Clearances and Dimensions:



Tested by Intertek Testing Services/Warnock Hersey  
ANSI Standard Z21.11.1-1993 • CAN 1-2.1-M89 • CAN/CGA-2.17-M91



**MADE IN U.S.A.**



352 Mountain House Road  
Halifax, PA 17032  
(717) 362-9080  
Fax: (717) 362-4251  
www.harmanstoves.com

*Discover The Difference*

**Your Harman Dealer Is:**

