



Introducing 2015 Vermont Castings Grills

FINEST QUALITY GRILLS.
FINEST QUALITY CRAFTSMANSHIP.

Proudly Made in Vermont



MAKE A STATEMENT WITH PREMIUM DESIGN

When you fire up a Vermont Castings grill, you're getting more than just power. You're getting a premium product — designed and made in the USA — that delivers precise results and makes every outdoor meal an event. From the latest convenience features to stunning style, our full line of grills has it all. No matter what you're grilling, you'll make a statement when you cook with a beautiful Vermont Castings grill.

★
Proudly Made in Vermont



DESIGNED FOR PRECISION COOKING

Enjoy more consistent temperatures and even heat distribution, locking in flavors and juices for amazing results.



A FIVE STAR STEAK EVERY TIME

As experts in the field of cast iron, Vermont Castings delivers the finest quality **cast iron, porcelain-coated grates**. Cast iron is the best heat conductor for more even cooking, consistent temperatures and restaurant-style sear marks for beautiful presentation. Our grates are rounded on one side for cooking juicy foods, like burgers and steaks, and flat on the other side to easily remove tender foods like seafood. Plus, the reversible grates are durable and easy to clean.



CONVECTION-STYLE COOKING

The **exclusive cast iron end caps** and **extra deep firebox** help maintain heat to lock in flavors and juices while keeping food amazingly moist. The smooth surface simplifies cleanup.



REDUCE FLARE-UPS

For healthy cooking, the **439 Titanium stabilized sear plates** are designed to redirect grease and juices away from the flames — distributing heat evenly across the entire cooking surface for optimal temperature control.



CRAFTED FOR CONVENIENCE AND LASTING PERFORMANCE

PRECISION CONTROL, YEAR ROUND

The ideal rate of power for the most even grilling is between 95 and 110 BTUs per square inch. Most of our grills are in this range, with the 525 Series delivering an optimal 104 BTUs of power per square inch. So year round, our grills will heat up faster and give you precision control, allowing you to cook that medium rare steak to perfection, even in colder climates.



SAFE AND EASY IGNITION

Available on all our grills, the **EasyFlame Ignition System** uses a single source to ignite every burner, ensuring that each one lights safely and consistently, avoiding ignition flare-ups. Unlike most other grills, you can light any burner the first time for ultimate convenience.

TOP-GRADE STAINLESS STEEL CONSTRUCTION

Made with superior quality **300 Series True Stainless Steel**, our grills resist rust better than grills made with lower grades of stainless steel. Plus, they offer a sleek, modern look.

QUALITY THAT LASTS

From the exterior cabinet to the interior grates — down to the accessories — Vermont Castings grills are crafted with quality that stands the test of time and are covered by warranties for peace of mind.

PARTS WARRANTIES

Cabinet	25 Years
Main Burner	10 Years
Cooking Grates	10 Years
Warming Rack	5 Years
Rotisserie Kit	2 Years
Rotisserie Burner	2 Years
Light	2 Years

CAUTION:

- Read lighting instructions on door below
- Accessible surfaces may become hot
- Turn tank off when not in use
- Do not operate rotisserie burner while main burners are on

- Lire attentivement les instructions de démarrage à l'intérieur de la porte
- Les surfaces accessibles peuvent devenir très chaudes
- Fermer le robinet de la bouteille d'alimentation
- Il ne faut pas utiliser le brûleur de la rotisserie



THE POWER TO COOK A GREATER VARIETY OF FOODS

Our grills offer the powerful performance of a BTU range of up to 102,500 with the ability to use four different cooking methods: searing, baking, turning (rotisserie) and smoking. That way, you can achieve the results you want for any kind of food, from seared sirloin to tenderly grilled vegetables.

ENOUGH ROOM TO GRILL 36 BURGERS AT ONCE*

With up to a total of 990 square inches of cooking space on the 525 Series, you can fit more of your meal on this grill! Plus, with that much room, you can sear steaks on one side of the grill while grilling vegetables at low temps on the other side. Perfect for family gatherings or parties!

MANY WAYS TO GRILL

SEAR IT — For steaks, meats or vegetables, the direct grilling method is ideal. The sear plates on Vermont Castings grills are specially designed to reduce flare-ups.

BAKE IT — For results similar to baking, use the indirect cooking method, lighting one side of the grill while placing food on the other side. The exclusive cast iron end caps help maintain the heat for optimal results.

TURN IT — Seal in juices and flavor with rotisserie cooking. Our infrared rotisserie burner offers slow roasting for convenient, hands-free cooking of roasts, turkey and more.

SMOKE IT — For that unforgettable smoky flavor, use our smoker box and the indirect cooking method to add flavor to fish, steak, ribs, chicken and more!



*Based on approximately 4" diameter patties.



525

SIGNATURE SERIES

With features you won't find on competitively priced models, this five-burner grill offers the best combination of style, power and value. You'll have the versatility to cook everything with restaurant-style performance. Also available as a built-in model, you can customize the look to your own personal taste. Family and friends will love gathering around this stunning addition to your outdoor décor.



525 Series Built-In
Shown with optional French doors

Featuring:

- 5 Burners
- 15,000 BTU Side Burner (standard on cart model, optional on built-in)
- Up to 102,500 BTUs (cart model)
- Up to 82,500 BTUs (built-in model)
- 990 sq. in. Total Cooking Area
- 104 BTUs per sq. in. (cart model)
- 96 BTUs per sq. in. (built-in model)
- Rotisserie Burner and Kit
- Titanium Stabilized Stainless Steel Sear Plates
- 300 Series True Stainless Steel Construction, including Firebox
- Grill Light (cart model)
- Condiment Shelves, Side Shelves and Towel Bars (cart model)
- Pull-Out Tray for Propane Tank (cart model)
- Deluxe Cover (cart model)

425

SIGNATURE SERIES

Four burners and a total of 84,000 BTUs deliver power that caters to your every need, whether you're serving up burgers for a crowd or a nice steak dinner for two. Plus, convenience features like the LED flex light and included rotisserie kit make it easy to cook anything on the grill, day or night.

Featuring:

- 4 Burners
- 15,000 BTU Side Burner
- Up to 84,000 BTUs
- 753 sq. in. Total Cooking Area
- 110 BTUs per sq. in.
- Rotisserie Burner and Kit
- Titanium Stabilized Stainless Steel Sear Plates
- 300 Series True Stainless Steel Construction
- Grill Light
- Condiment Shelves, Side Shelves and Towel Bar
- Pull-Out Tray for Propane Tank
- Deluxe Cover







Rated #1
by a leading
consumer
magazine*

325

SIGNATURE SERIES


Our three-burner model offers the convenience of our EasyFlame Ignition, LED controls and powerful performance. Plus, the 325 Series provides True Stainless Steel construction and convenient side shelves on the cart model. And, for an extra infusion of style, it's available as a built-in model so you can customize the look to your own personal taste!



325 Series Built-In
Shown with optional French doors

Featuring:

- 3 Burners
- 15,000 BTU Side Burner (cart model)
- Up to 70,500 BTUs (cart model)
- Up to 52,500 BTUs (built-in model)
- 673 sq. in. Total Cooking Area
- 92 BTUs per sq. in. (cart model)
- 85 BTUs per sq. in. (built-in model)
- Rotisserie Burner and Kit
- Titanium Stabilized Stainless Steel Sear Plates
- 300 Series True Stainless Steel Construction
- Condiment Shelves, Side Shelves and Towel Bar (cart model)
- Pull-Out Tray for Propane Tank (cart model)
- Grill Light (cart model)
- Deluxe Cover (cart model)



*Based on 2013 mid-size grill category, 300 Series.

CHOOSE THE PERFECT GRILL FOR YOU!

BOLD text indicates feature upgrade.



VCS325SSBI



VCS525SSBI

Colors

Stainless Steel

Stainless Steel

PERFORMANCE

EasyFlame Ignition System	Yes	Yes
Main Burners	3 (300 True Stainless Steel)	5 (300 True Stainless Steel)
Main BTUs	37,500	62,500
Rotisserie Burner	Yes, 15,000 BTUs	Yes, 20,000 BTUs
Side Burner	Optional	Optional
Sear Burner	Optional	Optional
Total BTUs	52,500	82,500
Total Cooking Area	673 sq. in.	990 sq. in.
BTUs per Sq. In.*	85	96

QUALITY AND STYLE

Stainless Steel Construction	300 True Stainless Steel	300 True Stainless Steel
Porcelain-Coated Cast Iron Grates	Yes	Yes
Titanium Stabilized Stainless Steel Sear Plates	Yes	Yes
Firebox Construction	300 True Stainless Steel	300 True Stainless Steel

CONVENIENCE

Rotisserie Kit	Yes	Yes
Grill Light	—	—
Towel Bars	—	—
Condiment Shelves	—	—
Side Shelves	—	—
Front Doors	Optional	Optional
Smoker Box	Optional	Optional
Tool Kit	Optional	Optional
Pull-Out Propane Tank Tray	—	—
Deluxe Grill Cover	Optional	Optional

*Of primary cooking area.



Rated #1
by a leading
consumer
magazine*



VCS325

VCS425

VCS525

Stainless Steel

Stainless Steel

Stainless Steel

Yes	Yes	Yes
3 (300 True Stainless Steel)	4 (300 True Stainless Steel)	5 (300 True Stainless Steel)
40,500	54,000	67,500
Yes, 15,000 BTUs	Yes, 15,000 BTUs	Yes, 20,000 BTUs
Yes, 15,000 BTUs	Yes, 15,000 BTUs	Yes, 15,000 BTUs
Optional	Optional	Optional
70,500	84,000	102,500
673 sq. in.	753 sq. in.	990 sq. in.
92	110	104

300 True Stainless Steel

300 True Stainless Steel

300 True Stainless Steel

Yes	Yes	Yes
-----	-----	-----

Yes	Yes	Yes
-----	-----	-----

300 True Stainless Steel	300 True Stainless Steel	300 True Stainless Steel
--------------------------	--------------------------	--------------------------

Yes	Yes	Yes
-----	-----	-----

Yes	Yes	Yes
-----	-----	-----

Yes	Yes	Yes
-----	-----	-----

Yes (300 True Stainless Steel)	Yes (300 True Stainless Steel)	Yes (300 True Stainless Steel)
--------------------------------	--------------------------------	--------------------------------

Yes (300 True Stainless Steel)	Yes (300 True Stainless Steel)	Yes (300 True Stainless Steel)
--------------------------------	--------------------------------	--------------------------------

Yes (300 True Stainless Steel)	Yes (300 True Stainless Steel)	Yes (300 True Stainless Steel)
--------------------------------	--------------------------------	--------------------------------

Optional	Optional	Optional
----------	----------	----------

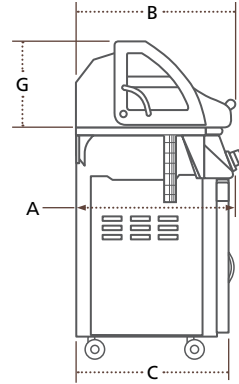
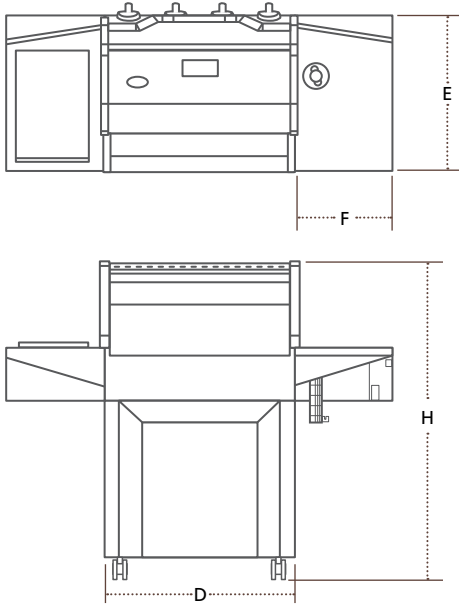
Optional	Optional	Optional
----------	----------	----------

Yes	Yes	Yes
-----	-----	-----

Yes	Yes	Yes
-----	-----	-----

*Based on 2013 mid-size grill category, 300 Series.

GRILL DIMENSIONS



CART MODELS

Model	325	425	525
A. Depth (measured from front to back at top of cart)	24.5"	24.5"	24.5"
B. Depth (measured from front of lid to back including handle)	23.5"	23.5"	23.5"
C. Depth (measured from front to back at bottom of cart)	23.6"	23.6"	23.6"
D. Width (measured from side to side at bottom of cart)	26.4"	29.4"	38.4"
E. Depth (measured from front to back of side shelf)	24.6"	24.6"	24.6"
F. Side Shelf Width	15.1"	15.1"	15.1"
G. Lid Height	13.3"	13.3"	13.3"
H. Grill Height (including casters)	49.6"	49.6"	49.6"

BUILT-IN MODELS*

Model	325BI*	525BI*
Firebox Depth	29"	24"
Firebox Height	9.375"	9.375"
Firebox Width	31.5"	43.5"
Side Burner Depth	18.25"	18.25"
Side Burner Height	10"	10"
Side Burner Width	12.625"	12.625"
Door Height	18.75"	18.75"
Door Width	28.75"	28.75"

*Built-in dimensions provided are framing dimensions to non-combustible materials. Please see owner's manual for exact installation measurements and instructions.

CUSTOMIZE WITH ACCESSORIES

Be sure to check out our available accessories. From stovetop burners to rotisserie kits and griddles, you'll be able to customize your grill to suit your needs.



15,000 BTU Infrared Side Sear Burner

Get a great sear on the outside of your food, and lock in loads of flavor, with the addition of a side sear burner accessory, optional for any Signature Series grill.



Griddle

Breakfast, anyone? The griddle accessory makes it easy to cook foods like pancakes or bacon.



Smoker Box

This accessory is for those who want more flavor out of their grills. Get that unforgettable smoky flavor using our smoker box. Its indirect cooking method adds flavor to fish, steak, ribs, chicken and more using wood chips like hickory or mesquite for best-tasting results.



5-Piece Tool Set

Made with the same fine craftsmanship as our grills, this tool set gives you everything you need in one convenient carrying case.



VermontCastings.com

Your Vermont Castings Dealer:

FPO
for FSC
certification
mark

To avoid personal injury or property damage, the product described by this brochure must be installed, operated and maintained in strict compliance with the instructions packaged with the product and all applicable building or fire codes. Contact local building or fire officials about restrictions and installation inspection requirements. All photographs and drawings on this brochure are for illustrative purposes only and are not intended for, nor should they be used as a substitute for, the instructions packaged with the unit. Appearance and specifications of the product are subject to change without notice. © 2015 Vermont Castings Group