

**HARMAN**<sup>TM</sup>  
BUILT TO A STANDARD, NOT A PRICE

## P-SERIES PELLET STOVES



# THE SMARTEST PELLETT STOVES ON THE MARKET

Decorative plated or brushed air grilles (optional)

Optional Log Set

Hook and Roller Door Latch

Decorative Ash Lip (optional)

Decorative gray slate enhances the style of the stove (optional)



Sealed hopper holds up to 76 pounds of pellets

State-of-the-art, whisper-quiet, variable-speed blower

Laser-cut plated leaves accent the door (optional)

Exclusive air wash system keeps door glass cleaner, longer

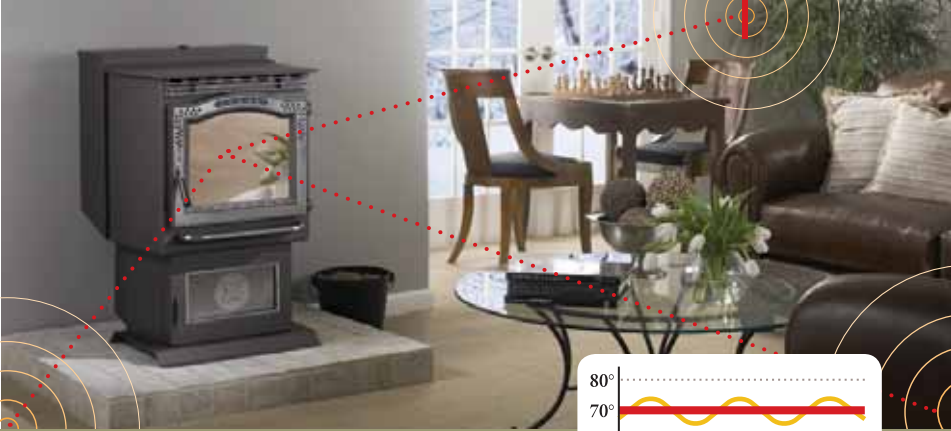
Convenient ash door shown with optional decorative plated frame.

## P-SERIES PELLETT STOVES

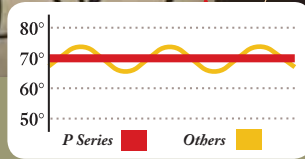
You recognize it immediately. The shape, the name, the quality. The Harman P-Series gives you the heat you want when you want it.

The P-Series epitomizes the capability of Harman pellet stoves, reflecting Harman's 20 years of pellet stove design, technology and manufacturing. These stoves have the highest output, smartest controls and widest heating range, with minimal maintenance.





Temperature control with the P-Series helps maintain a consistent room temperature.



## P SERIES FEATURES

### Automatic Temperature Control\*

The P-Series' automatic temperature control system eliminates the warm/cold cycle associated with thermostatically controlled heating systems and even turns the stove on and off as needed.

### Patented Feeder & Burn Pot

The P-Series underfire feeder system precisely meters pellet fuel into our patented burn pot, which can burn all grades of pellet fuel. In addition, the stove's burn pot allows fuel to be burned at a very low rate.

### Accordion Heat Exchanger

The P-Series' accordion heat exchanger allows a large amount of surface area to be placed in a small area, greatly increasing heat transfer efficiency.

### Exclusive Ignition System\*

The P-Series draws in air across a specially designed heating element located in the bottom of the burn pot. The air is then heated to the point where it ignites the pellets as they enter the burn pot. Designed for long life, the ignition system is covered by the Hearth & Home Technologies warranty.

### Direct Vent

Harman pellet stoves are 100% true direct vent pellet stoves. By using the optional outside air kit, the stove can be set up to use 100% outside air (not room air), thus allowing the stove to be installed closer to door and window openings than other brands. This versatility allows the stove to be placed where it best fits the layout of the room while saving the cost of additional venting.

### Unparalleled Technology and Design

The P-Series has smart controls, wide heating ranges, large glass, larger hoppers, and several decorative options. Other innovative features of the P-Series include:

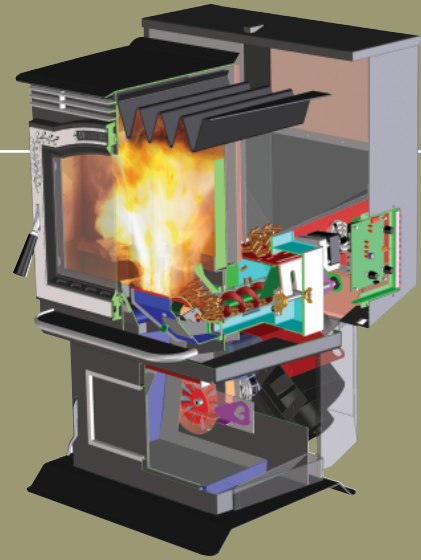
- Improved ESP (Exhaust Sensing Probe) Control
- Automatic Ignition (Except for P38+)
- Room Temperature Sensor
- Patented Feeder
- Patented Burn Pot
- Large Ash Pan
- Swing Open Ash Door
- Accordion Heat Exchanger
- Air-Cooled Combustion Blower
- Super Easy Cleaning
- Over 127 Sq. Inches of Viewing Area

## TEMPERATURE CONTROL

P-Series Stoves do not use a thermostat like other brands of pellet stoves, but have a tiny sensing probe that sends information to the microprocessor on the stove. This information is used to feed the proper amount of fuel at the right time to keep you warm and comfortable. The Series also has a Stove Temp mode that allows you to set the stove temperature as desired, rather than the room temperature. This mode gives you control over the feed rate of the fuel, conserving the amount used.

## FEED AND BURN

The Harman patented feeder and burn pot at work in P-Series Stoves.



## OPTIONAL SLATE FRONT DESIGNS



LIGHTHOUSE



DEER



FLORAL



TRAIL RIDERS

\*Excludes P38+ manual ignition





## P38+ PELLET STOVE

The P38 Pellet Stove is the most cost effective way to heat your living space with pellets. Our only manual ignition thermostatically controlled pellet stove, this 7,000 to 38,000 BTU stove has the same exclusive features of our other P-series products including our patented Pellet Pro Feeder and Burn Pot, high efficiency, low maintenance, and pinnacle quality.



## P43 PELLET STOVE

Our latest addition to the P-Series stoves, the P43 is the same size as the P38 but includes Automatic Ignition and Automatic Temperature Control. The P43 is perfect for homeowners who want to zone heat a smaller area with the benefits of environmentally friendly wood pellets.



## PC45 MULTI-FUEL STOVE

Heat your home with 0 to 45,000 BTUs in the biomass fuel of your choice. In addition to wood pellets, the PC45 will burn other biomass materials such as corn, wheat, barley and oats with our Exclusive Grain Burn Pot. Want to switch to pellet fuel? Simply replace the Grain Burn Pot\* with the Pellet Burn Pot.

\*Both burn pots included with unit



## P61A PELLET STOVE

The first P-Series Automatic Ignition Pellet Stove, the P61A has been making it easier to heat homes for 15 years. The P61A will burn from 0 to 61,000 BTUs with all the automatic conveniences also available in the P43 and P68.



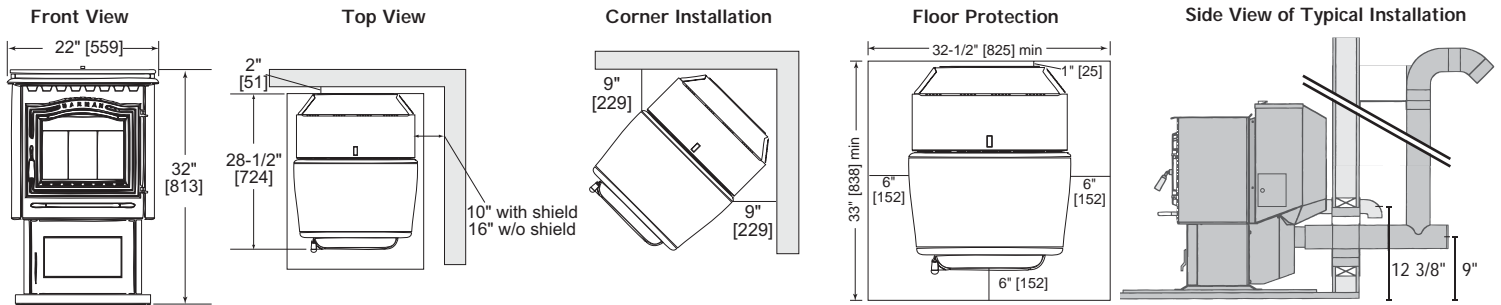
## P68 PELLET STOVE

Our award-winning and best-selling freestanding pellet stove, the P68 packs 0 to 68,000 BTUs into a moderate size stove body. The technology behind Harman Pellet Stoves is most useful in this large BTU unit. With its huge heating range, the P68 can fluctuate as you need it, to keep a larger portion of your home warm on the coldest days.

# SPECIFICATIONS

## P38+ PELLET STOVE

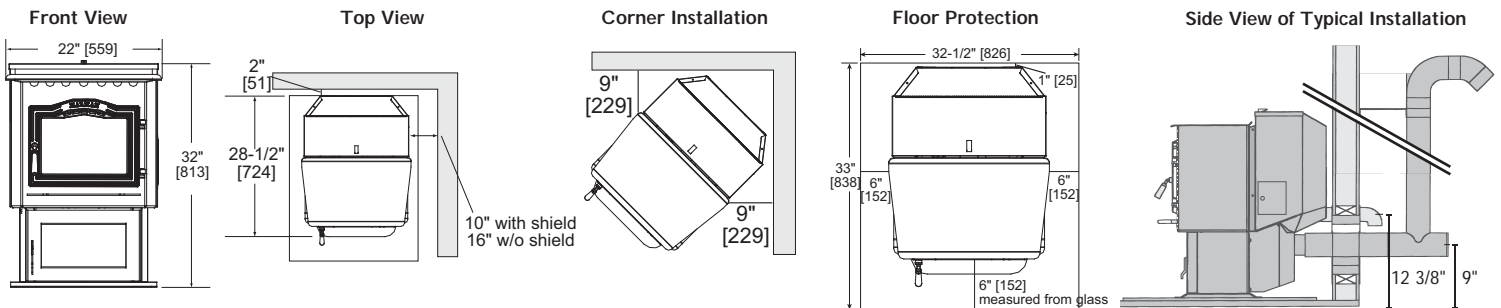
BTU/hr Input	Heating Capacity <sup>1</sup>	Hopper Capacity	Fuel Type	Blower Size	Flue Size	Outside Air Size	Fuse Rating	Weight	Depth	Minimum Floor Protection
7,000 - 38,000, 43,000 in Turbo Mode	800 - 2,200 sq. ft.	50 lbs. (110 lbs. w/hopper extension)	Bio-Mass Pellets	135 CFM	3"	2-3/8"	6 amp	215 lbs.	28-1/2"	25"w x 33"d



P38+: tested by Intertek: UL 1482, ASTM E1509, Oregon 814-23-900, ULC S627-M90, Mobile Home Approved

## P43 PELLET STOVE

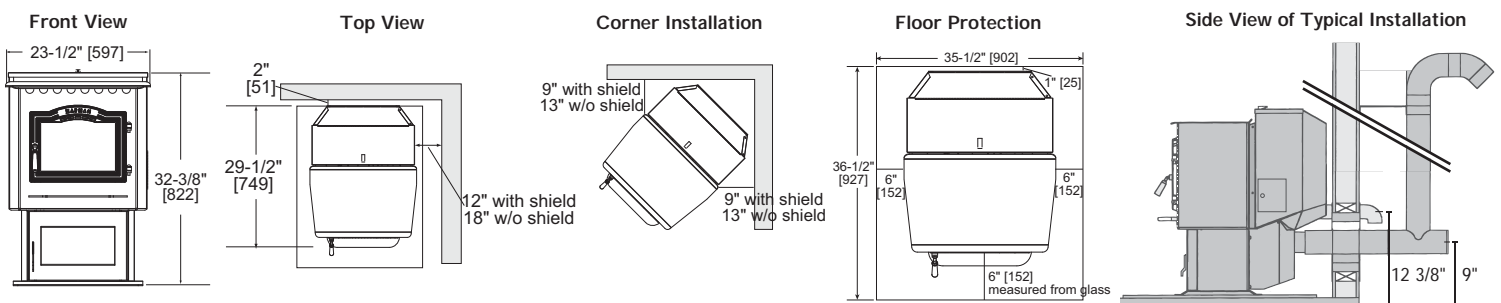
BTU/hr Input	Heating Capacity <sup>1</sup>	Hopper Capacity	Fuel Type	Blower Size	Flue Size	Outside Air Size	Fuse Rating	Weight	Depth	Minimum Floor Protection
0 - 43,000	800 - 2,400 sq. ft.	50 lbs. (110 lbs. w/hopper extension)	Bio-Mass Pellets	135 CFM	3"	2-3/8"	6 amp	212 lbs.	28-1/2"	25"w x 33"d



P43: tested by Intertek: UL 1482, ASTM E1509, Oregon 814-23-900, ULC S627-M90, Mobile Home Approved

## PC45 MULTI-FUEL STOVE

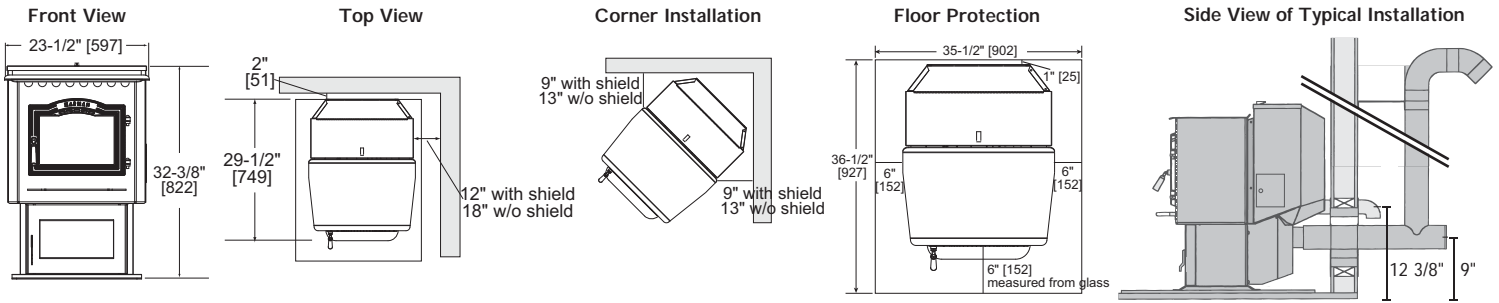
BTU/hr Input	Heating Capacity <sup>1</sup>	Hopper Capacity	Fuel Type	Blower Size	Flue Size	Outside Air Size	Fuse Rating	Weight	Depth	Minimum Floor Protection
0 - 45,000	900 - 2,400 sq. ft.	Corn: 80 lbs, 145lbs <sup>2</sup> Pellets: 72 lbs, 132lbs <sup>2</sup>	Corn, Wood Pellets, Wheat <sup>3</sup> , Barley <sup>3</sup> , Oats <sup>3</sup>	135 CFM	3"	2-3/8"	6 amp	249 lbs.	29-1/2"	25"w x 33"d



PC45: tested by Intertek: ASTM E1509, Mobile Home Approved

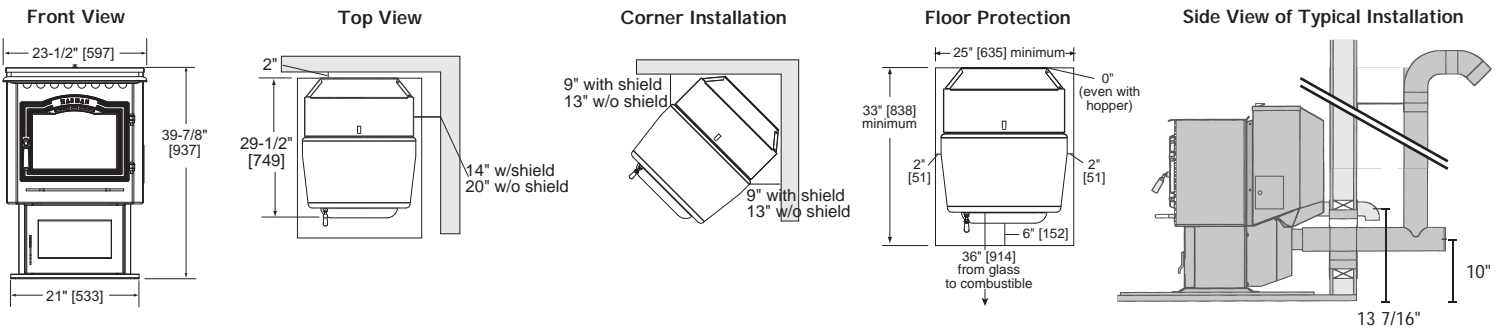
# SPECIFICATIONS

P61A PELLET STOVE	BTU/hr Input	Heating Capacity <sup>1</sup>	Hopper Capacity	Fuel Type	Blower Size	Flue Size	Outside Air Size	Fuse Rating	Weight	Depth	Minimum Floor Protection
	0 - 61,000	1,300 - 3,500 sq. ft.	72 lbs. (132 lbs. w/hopper extension)	Bio-Mass Pellets	135 CFM	3"	2-3/8"	6 amp	249 lbs.	29-1/2"	25"w x 33"d



P61A: tested by Intertek: UL 1482 ASTM E1509-2004, OREGON 814-23-900, ULC-S627, Mobile home approved

P68 PELLET STOVE	BTU/hr Input	Heating Capacity <sup>1</sup>	Hopper Capacity	Fuel Type	Blower Size	Flue Size	Outside Air Size	Fuse Rating	Weight	Depth	Minimum Floor Protection
	0 - 68,000	1,500 - 3,900 sq. ft.	76 lbs. (136 lbs. w/hopper extension)	Bio-Mass Pellets	135 CFM	3"	2-3/8"	6 amp	290 lbs.	29-1/2"	25"w x 33"d



P68: tested by OMNI: ASTM E1509, ULC C1482-M1990, ULC S627, Mobile Home Approved

## The Smartest Pellet Stoves

The P-Series<sup>4</sup> huge output is managed by a microprocessor that senses the room temperature and the fire temperature with tiny thermistor probes and then determines the best feed rate. This improved and smarter control also has a diagnostic port for connecting an external display showing live working data for easier service or troubleshooting.

The platinum combination is Harman's patented Feeder and Burn Pot and ESP Control. These features work together to allow amazing heat output with different fuel quality, ash content, and moisture. In other words, it improves performance and efficiency, and conserves fuel. From the quality of the newly designed door handle, to the laser-cut and etched details on the accessories, the P-Series is in a class all its own.

## Keeping Safety in Mind

The P-Series has several safety features that automatically monitor changes in the stove's temperature and draft. The stoves cannot overheat. The ESP, which monitors the exhaust temperature, will shut the feed motor down if the temperature reaches a predetermined high limit temperature in the exhaust. Another safety feature is the pressure switch, which senses a loss of draft (door left open, blocked flue, etc.). If this occurs, it will also automatically quit feeding pellets and shut the unit down.

- 1: See your local authorized Harman dealer for help in determining the product that best suits your heating needs based on climate and home efficiency.
- 2: With Optional Hopper Extension,
- 3: Able to burn grains by simply adjusting the feed rate.
- 4: Excludes P38+



## Heat Your Home with Wood Pellets

Wood pellets have become a popular form of heat because they are environmentally friendly, extremely clean burning, and cost-effective.

Wood pellets are made of wood by-products (such as sawdust, wood chips, and other wood waste products) of varying qualities. These by-products are run through a pelletizing machine that produces pellets measuring approximately 1/4" diameter by 3/4" long. Pellets can vary in cost, depending on the quality and ash content. They are packaged in 40-lb. bags for easy handling.



Wood Pellets

## The P-Series Advantage

P-Series Stoves will burn any grade of pellet at maximum efficiency and keep your home at your desired temperature.

Not only can the P-Series burn pellets with optimal efficiency and cleanliness, it does it automatically. The P-Series (except P38 manual ignition) automatically lights its own fire and burns at the correct output to maintain the desired room temperature. When no heat is required, the P-Series will shut-down and re-ignite when the demand for heat returns.

Just fill the hopper with pellets and set the desired temperature. The stove will do the rest except for ash removal, which will be needed after approximately one ton of pellets has been consumed.

## PC45 Versatile Fuel Choices



Clean Shelled Corn



Barley



Wheat



Black Oil Sunflower Seeds






Oats

YOUR HARMAN DEALER IS:

**HARMAN**<sup>™</sup>  
BUILT TO A STANDARD, NOT A PRICE

A BRAND OF  
HEARTH & HOME TECHNOLOGIES<sup>®</sup>

352 MOUNTAIN HOUSE ROAD  
HALIFAX, PA 17032  
WWW.HARMANSTOVES.COM

 facebook.com/HarmanStoves  
 twitter.com/HarmanStoves  
 youtube.com/HarmanStoves

### Limited Lifetime Warranty<sup>5</sup>

The strongest in the industry, Harman provides a limited lifetime warranty on most important aspects: firebox and heat exchanger.

<sup>5</sup> For full warranty details, visit [www.harmanstoves.com](http://www.harmanstoves.com)

Actual product appearance, including flame, may differ from image. Product specifications and pricing subject to change without notice. The images and descriptions in this brochure are provided to assist you in product selection only. Fuel density and pellet shape may affect hopper capacity. Btu's may vary depending on type of fuel used. Refer to installation manual for complete clearance requirements and specifications.

Fireplace stove and insert surfaces get extremely HOT and can cause severe burns if touched. Keep a safe distance away. To learn more visit [www.fireplaces.com/fireplacesafety](http://www.fireplaces.com/fireplacesafety)