



&  
**SOLARIS**

DIRECT VENT GAS FIREPLACE

INSPIRED BY THE  
**SETTING SUN**



# SOLARIS

Forget what you think you know about fire. The world's slimmest see-through fireplace is here. With levitating flames. Patented technology. And the ability to go nearly anywhere. It's a new kind of fire. And it's come full circle.

## SLIM AND VERSATILE

The SOLARIS goes where other fireplaces cannot. Any 2" x 6" studded wall is fair game. Ideal for residential or commercial applications.

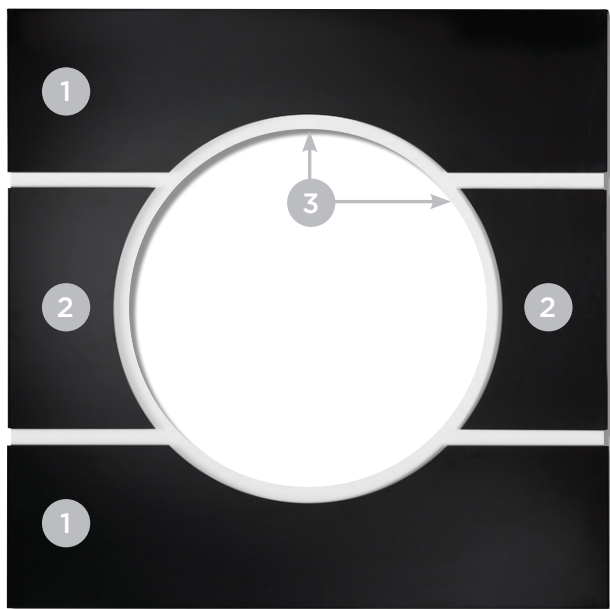
## ONE FIRE, TWO SIDES

Witness floating fire from two sides. Gaze through vaulted LED lighting into infinity. Or observe a dancing, elevated flame through the window of the see-through model.



## FINISHING COMBINATIONS

Add flair to your fire with more than 8 finishing panel combinations. The other side of the SOLARIS is finished with a clean ring of black trim.



## SOLARIS TECHNOLOGIES

### INTELLIFIRE™ PLUS IGNITION SYSTEM



The IntelliFire™ Plus Ignition System (IPI Plus) is an advanced intermittent pilot ignition system with memory settings and a programmable wireless control. IPI Plus constantly monitors ignition, ensures safe functioning and conserves up to \$10/ month in energy costs.

### POWER VENT TECHNOLOGY



Install a gas fireplace virtually anywhere. Power Vent Technology uses a sleek fan-powered accessory and slim venting to zigzag throughout the home or office. For safe, flexible installation—in nearly any environment.

### RAZOR™ BURNER TECHNOLOGY



Elevated. Slender. Captivating. The patented Razor Burner creates a lively flame from thin air. Fuel is pushed through a narrow gap between two strips of material and ignites as it reaches oxygen. Producing stunning flames in creative new ways.

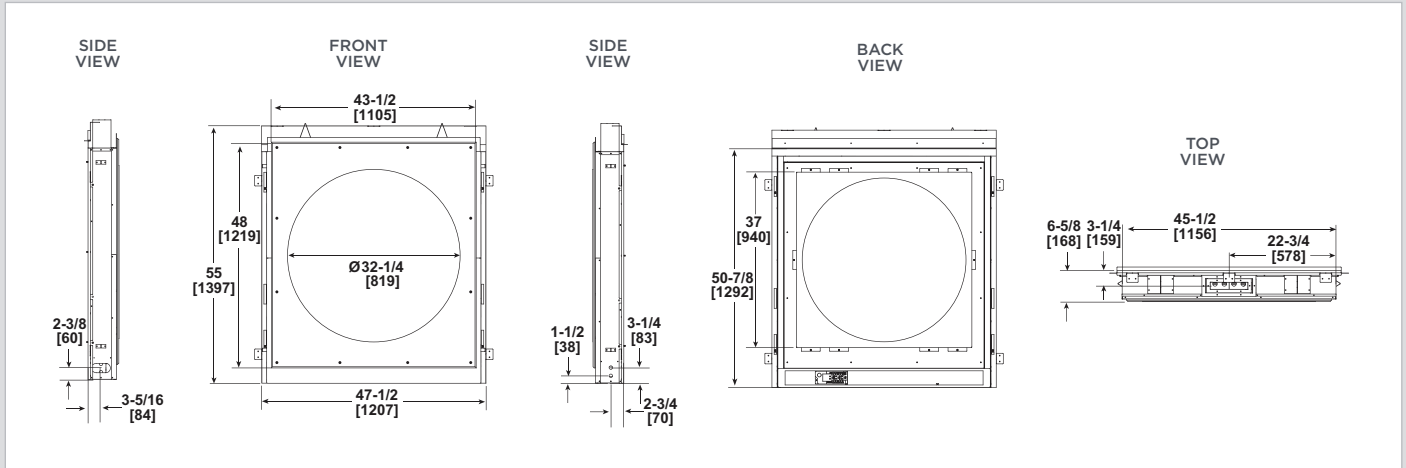
COVER: SOLARIS interior

LEFT: SOLARIS shown with gloss white top, side, bottom and base panels

ABOVE: SOLARIS See-Through shown with black top, bottom and base panels, and white side panels

# SOLARIS SPECIFICATIONS

MODEL	FRONT WIDTH		BACK WIDTH		HEIGHT		DEPTH		Btu/Hour Input
	Unit	Framing	Unit	Framing	Unit	Framing	Unit	Framing	
SOLARIS36-ST, SOLARIS36-MR	47-1/2 [1207mm]	47-1/2 [1207mm]	47-1/2 [1207mm]	47-1/2 [1207mm]	55 [1397mm]	55-1/4 [1403mm]	6-5/8 [168mm]	5-1/2 [140mm]	29,500 (NG) 29,500 (LP)



Dimensions above are in inches. Reference dimensions only. We recommend measuring individual units at installation. Assumes the use of 1/2" Sheetrock. NOTE: Combustible material should not be installed over the face. Make sure you do NOT cover the decorative door opening.

Refer to installation manual for detailed specifications on installing this product. Heat & Glo reserves the right to update units periodically. The flame and ember appearance may vary based on the type of fuel burned and the venting configuration used. Pictures in this brochure are not a true representation of the fireplace and/or flames.

For complete information on this model, please contact us at:

## HEAT & GLO

No one builds a better fire

Web: [heatnglo.com](http://heatnglo.com)  
 Phone: (888) 427-3973 (952) 985-6000  
 E-mail: [info@heatnglo.com](mailto:info@heatnglo.com)

[facebook.com/HeatandGlo](https://www.facebook.com/HeatandGlo)  
[twitter.com/HeatandGlo](https://twitter.com/HeatandGlo)  
[youtube.com/HeatandGlo](https://www.youtube.com/HeatandGlo)

HNG-1112-1214

### LIMITED LIFETIME WARRANTY<sup>1</sup>

The strongest in the industry, Heat & Glo<sup>®</sup> provides a limited lifetime warranty on the most important aspects: firebox and heat exchanger.

<sup>1</sup> For full warranty details, go to [www.heatnglo.com](http://www.heatnglo.com).

Fireplace glass and other surfaces get extremely HOT and can cause severe burns if touched. Do not remove the protective safety screen from the front of the glass. Keep a safe distance away. To learn more visit [www.heatnglo.com/fireplacesafety](http://www.heatnglo.com/fireplacesafety)

