

HEAT & GLO®



DESIGNED | *to inspire*

GAS FIREBRICK® INSERTS
For Fireplaces

FIREBRICK® INSERTS

Inspired Innovations

Fireplace inserts fit directly inside existing fireplaces and can immediately upgrade a space. FireBrick® is a patented material producing up to 25% more radiant heat than metal fireboxes—heating rooms faster and using less fuel.

Heat & Glo® FireBrick inserts integrate innovations in technology, design and safety into traditional masonry fireplaces. These Direct Vent gas units deliver high-efficiency heating in a variety of elegant styles. Read on and create your own unique model.



Cover: Escape-135 shown with chateau forge front.
Left Page: Escape-130 shown with iron age front in black.

GAS FIREBRICK INSERTS



ESCAPE-I35

Anchor a room with warmth and style. The Escape I-35 is the largest Heat & Glo® insert available. Choose from a variety of front options to accent your décor. You're now ready to take comfort to the next level, and Escape.

Escape-I35 shown with halston front in new bronze.



ESCAPE-I30

Reinvigorate an existing fireplace with the Escape I-30. A compact footprint enables the I-30 to fit in more spaces. Outfit your model with a traditional or modern front for style and function.

Escape-I30 shown with vision front in black.



FIREBRICK® TECHNOLOGY

FireBrick is a patented, energy-saving ceramic material molded into a variety of masonry designs. FireBrick produces up to 25% more radiant heat than metal fireboxes—heating rooms fast and using less fuel. This increases efficiency and reduces heating costs.



PATENTED DESIGN

A unique ceramic composition is the core of the FireBrick® innovation. This material is molded into three distinct layers—providing strength, texture and amplifying heat output.

Scan with your smartphone to learn more about FireBrick, or visit heatnglo.com.





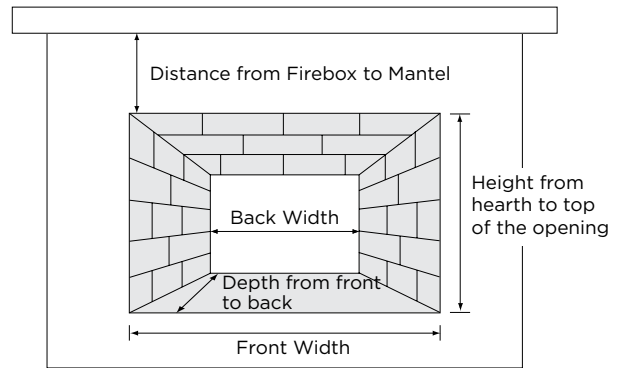
A NEW FIREPLACE INSERT in four easy steps

- 1) Measure your existing fireplace
- 2) Select your insert
- 3) Choose your surround
- 4) Customize your insert

GAS FIREBRICK INSERTS

STEP 1 MEASURE YOUR EXISTING FIREPLACE

The height, width and depth of the existing fireplace opening is needed to ensure an appropriately-sized insert is selected.



STEP 2 SELECT YOUR INSERT

Selecting an insert consists of two main factors. Keep these in mind and you're sure to make a solid choice

- Consider the size of your existing fireplace opening. Try and fill that space.
- Consider how your insert will be used. Room size, heating needs and usage frequency all come into play.



ESCAPE-I35

- 35" viewing area
- Up to 40,000 BTUs
- 6 oak-style logs
- Illuminated ember bed and accent lighting



ESCAPE-I30

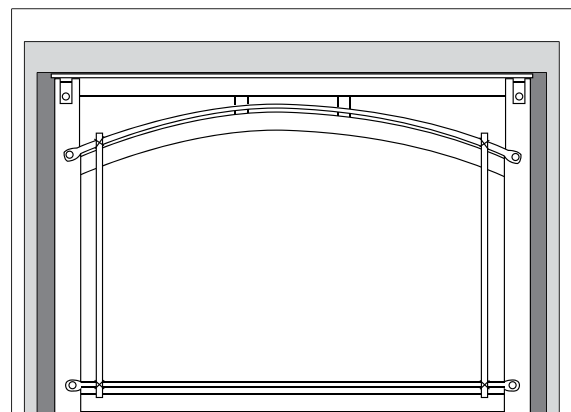
- 30" viewing area
- Up to 35,000 BTUs
- 6 oak-style logs
- Illuminated ember bed and accent lighting

STEP 3 CHOOSE YOUR SURROUND

Surrounds remove the gap between the fireplace insert and existing fireplace opening. Choose from numerous sizes and styles for a unique look.

Three surround sizes are available, in black, graphite and new bronze.

SURROUND	ESCAPE-I35FB	ESCAPE-I30FB
Small	42" x 29"	40" x 27"
Medium	44" x 32"	42" x 30"
Large	48" x 32"	44" x 32"



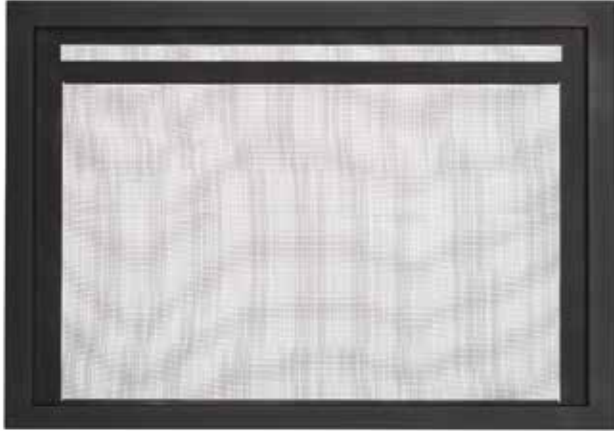
■ SMALL SURROUND ■ MEDIUM SURROUND □ LARGE SURROUND

GAS FIREBRICK INSERTS

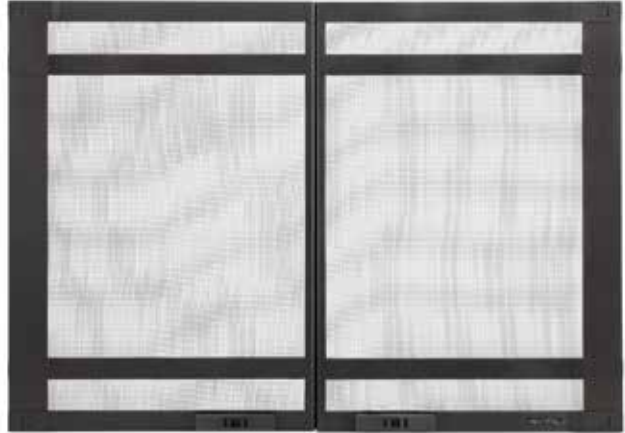
STEP 4 CUSTOMIZE YOUR INSERT

Make it your own. Select a front and termination cap to complete your dramatic look.

FRONTS & DOORS



Firescreen Front



Halston Operable Door



Iron Age Front



Vision Operable Door* (with incorporated surround)



Chateau Forge Front (Available in hammered steel only)



Galleria Operable Door



Black (BK)



New Bronze (NB)



Graphite (GT)

* Vision operable doors should be in the open position if operating an optional blower (GFK-210). Not available in large surround size.

GAS FIREBRICK INSERTS

TERMINATION CAPS

A termination cap finishes your gas insert with a clean, upscale look. And, these durable caps also protect venting components and ensure safe exhaust flow.



Round Termination Cap



Square Termination Cap - Available in black or copper finish

ADDED AMBIANCE

Illuminated ember beds and accent lighting create an ultimate fireside experience—with or without flames or heat output.



DIRECT VENT TECHNOLOGY

Direct Vent fireplaces remove 100% of combustion exhaust and odors outside of the home. These sealed fireplaces provide optimal heat, conserve energy and ensure clean, safe indoor air quality.

To learn more about Direct Vent Technology visit heatnglo.com.

INTELLIFIRE PLUS IGNITION SYSTEM AND WIRELESS RC300 CONTROL



The IntelliFire™ Plus Ignition System (IPI Plus) is an advanced intermittent pilot ignition system with memory settings and a programmable wireless control. IPI Plus constantly monitors ignition, ensures safe functioning and conserves up to \$10/month in energy costs.

To learn more about IntelliFire Technology visit heatnglo.com.

INTELLIFIRE PLUS RC300 The RC300 incorporates an LCD screen, intuitive menus and large control buttons. This wireless control offers flexibility to either mount on the wall or use as a remote. This control comes standard with all Heat & Glo FireBrick inserts.

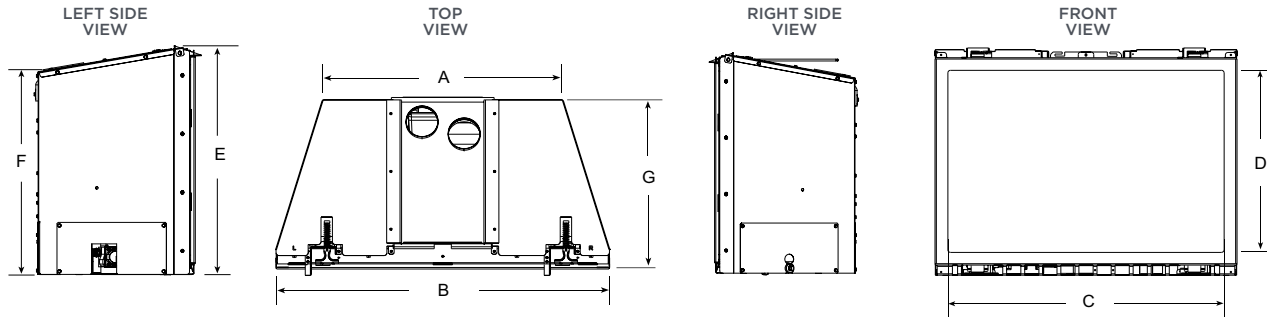
Model: RC300-HNG

Features: Auto Battery Backup, Pilot Activation, On/Off, 5 Step Flame Height, Fan Speed (Auxiliary 1), Two Additional Auxiliary Functions, Room Temperature Readout, Thermostat Mode, Timer Mode, Child Lock, Wall Docking Station



GAS FIREBRICK INSERT SPECIFICATIONS

MODEL	FRONT WIDTH		BACK WIDTH		HEIGHT		DEPTH		GLASS SIZE	BTU/Hour Input (NG)
	UNIT	MIN. FIREBOX OPENING	UNIT	MIN. FIREBOX OPENING	UNIT	MIN. FIREBOX OPENING	UNIT	MIN. FIREBOX OPENING		
ESCAPE-I35, ESCAPE-I35LP	34-3/4 [882]	35 [889]	25-1/4 [641]	25-1/2 [648]	24-5/8 [626]	24-7/8 [632]	17 [432]	18-1/4 [464]	31-1/2 x 20 [800 x 508]	20,000 - 40,000
ESCAPE-I30, ESCAPE-I30LP	30 [762]	30-1/4 [768]	21-1/4 [552]	21-1/2 [546]	22-9/16 [573]	22-7/8 [581]	15-5/8 [397]	16-7/8 [429]	26-3/4 x 18 [679 x 457]	17,000 - 36,000



MODEL	A	B	C	D	E	F	G
ESCAPE-I35, ESCAPE-I35LP	25-1/4 [641]	34-3/4 [864]	31-1/2 [800]	20 [508]	24-5/8 [626]	21-11/16 [551]	17 [432]
ESCAPE-I30, ESCAPE-I30LP	21-1/4 [552]	30 [762]	26-3/4 [679]	18 [457]	22-9/16 [573]	19-15/16 [506]	15-5/8 [397]

Dimensions above are in inches. Reference dimensions only. We recommend measuring individual units at installation. NOTE: Combustible material should not be installed over the face. Make sure you do NOT cover the decorative door opening.

Refer to installation manual for detailed specifications on installing this product. Heat & Glo reserves the right to update units periodically. The flame and ember appearance may vary based on the type of fuel burned and the venting configuration used. Pictures in this brochure are not a true representation of the fireplace and/or flames.

U.S. EFFICIENCIES

Steady State - Since most homeowners use their fireplaces for an extended time while they are in the room, Steady State measures how efficiently your fireplace converts fuel to heat once it is warmed up and running in a "steady state".

AFUE - AFUE rating is more typically used with appliances, like your furnace, that continually cycle on and off to maintain a constant temperature.

RATING	ESCAPE-I35	ESCAPE-I35LP	ESCAPE-I30	ESCAPE-I30LP
Steady State	85.8%	86.0%	85.8%	85.5%
AFUE	73.1%	73.8%	70.1%	70.0%

CANADA EFFICIENCIES

EnerGuide (CSA P.4.1-02) - EnerGuide is a rating used in Canada to measure annual fireplace efficiency.

RATING	ESCAPE-I35	ESCAPE-I35LP	ESCAPE-I30	ESCAPE-I30LP
EnerGuide (CSA P.4.1-02)	72.9%	73.8%	68.8%	69.3%

For complete information on this model, please contact us at:

HEAT & GLO

No one builds a better fire

Web: heatnglo.com
 Phone: (888) 427-3973 (952) 985-6000
 E-mail: info@heatnglo.com

[facebook.com/HeatandGlo](https://www.facebook.com/HeatandGlo)
twitter.com/HeatandGlo
[youtube.com/HeatandGlo](https://www.youtube.com/HeatandGlo)

HNG-1095U-1014

LIMITED LIFETIME WARRANTY*

The strongest in the industry, Heat & Glo provides a limited lifetime warranty on the most important aspects: firebox and heat exchanger.

*For full warranty details, go to www.heatnglo.com. Fireplace glass and other surfaces get extremely HOT and can cause severe burns if touched. Do not remove the protective safety screen from the front of the glass. Keep a safe distance away. To learn more visit www.heatnglo.com/fireplacesafety

