

HEAT & GLO®



DESIGNED | *to inspire*

SOHO
Balanced Flue Gas Fireplace

SOHO

The fusion of technology,
innovation and design

Redefine the way you think about fireplaces—where they should be located and how they should look. The small, square shape and shallow depth of Soho allows for creative installations as big as your imagination. The clean design merges simplicity and elegance.



Cover photo: Soho shown with optional Studio brushed stainless steel glass front and black onyx pebbles.

Above: Soho shown with optional Studio black mesh front and standard log set



Traditional black mesh front with standard logs



Studio black mesh front with standard logs



Studio brushed nickel mesh front with optional black onyx pebbles



Studio black mesh front with horizontal stainless overlay and optional multi-colored pebbles



Studio brushed nickel glass front with standard logs



Detail of Studio brushed nickel glass front



A



B



C

FRONTS & FINISHES

Define your fire with your choice of Traditional or Studio fronts. Traditional logs, modern black onyx, multi-colored or white pebbles allow you to create the combination of art and fire to accent your décor.

- A. Optional black onyx pebbles
- B. Optional multi-colored pebbles
- C. Optional white pebbles

Note: Optional pebble kits include side and back reflective panels.



RC300

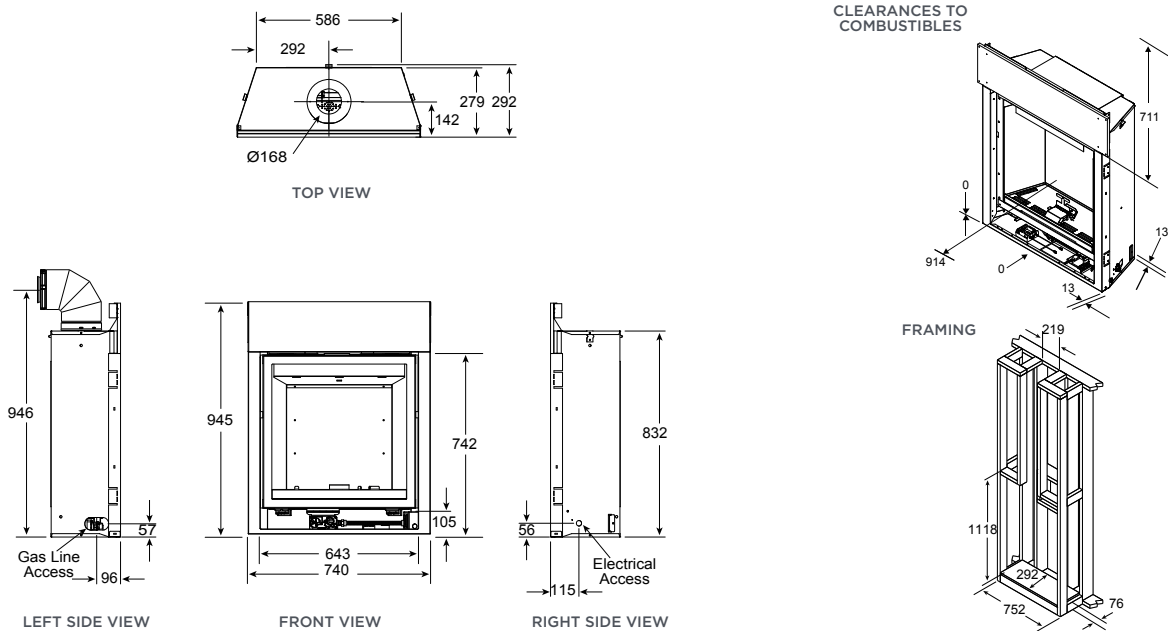
RC300 STANDARD MULTI-FUNCTION CONTROL

Controls the temperature of your room by turning the fireplace on and off when it reaches a set temperature.

- Manual, thermostat or timer model
- Celsius or Fahrenheit display
- Time and temperature display
- Flame adjustment
- Optional ChildLock function
- Audible ignition signal
- Includes wall bracket

SOHO SPECIFICATIONS

MODEL	FRONT WIDTH		BACK WIDTH		HEIGHT		DEPTH		GLASS SIZE	kWh INPUT	
	Actual	Framing	Actual	Framing	Actual	Framing	Actual	Framing		N	P
SOHO-N-CEB SOHO-P-CEB SOHO-B-CEB	740	752	586	752	945	1118	292	292	490 x 450	N	4
										P	3.5
										B	3.6



Dimensions above are in millimeters and for reference only. We recommend measuring individual units at installation. Assumes the use of 13 mm gyprock.

Refer to installation manual for detailed specifications on installing this product. Heat & Glo reserves the right to update units periodically. The flame and ember appearance may vary based on the type of fuel burned and the venting configuration used. Photos in this brochure may vary in color and dimension [size] from the actual product.

SOHO FEATURES

- Balanced flue technology provides a sealed combustion chamber, maintaining indoor air quality
- IntelliFire™ Plus ignition system provides fuel savings and easy operation
- Top venting allows installation flexibility
- Zero clearance provides ease of installation and cost savings
- Heat management system allows you to adjust the flame height and heat output up to 40%
- Realistic ceramic fiber campfire style logs (or optional pebbles)
- Energy saving efficiency up to 77% with the authenticity of a traditional fire
- Multi-function remote provides temperature, flame height, and start time control, offering true convenience
- Ceramic glass
- 168 mm top venting
- CE approved 0086

INTELLIFIRE PLUS

The IntelliFire Plus Ignition System (IPI Plus) is an advanced intermittent pilot ignition system with memory settings, a programmable wireless control and a continuous pilot mode. IPI Plus constantly monitors ignition, ensures safe functioning and helps conserve energy costs.

CONVENIENT OPERATION

Operate the fireplace, adjust the flame height and view the current room temperature all from the comfort of your chair. To protect the little ones, each remote comes with a wall bracket should you wish to locate the remote out of reach, and also activate the optional child safety start for even more protection.

HEALTHY HEARTH

A completely sealed system, Heat & Glo balanced flue gas fireplaces draw 100% of combustion air from the outdoors and exhaust all combustion byproducts back outside, with no effect on indoor air quality. In addition, cold air drafts are eliminated and heat output is maximized. No electricity, power venting or fan are required to operate, eliminating the need for a conventional chimney, and allowing for installation in nearly any room of the home. TR technology, another Heat & Glo invention, allows for venting off the top or rear, providing even greater placement flexibility.

For complete information and valuable assistance on this model, please contact us at:

HEAT & GLO

No one builds a better fire

A brand of
Hearth & Home Technologies Inc.

Fireplace glass and other surfaces get extremely HOT and can cause severe burns if touched. Do not remove the protective safety screen from the front of the glass. Keep a safe distance away. To learn more visit www.heatnglo.com/fireplacesafety.