



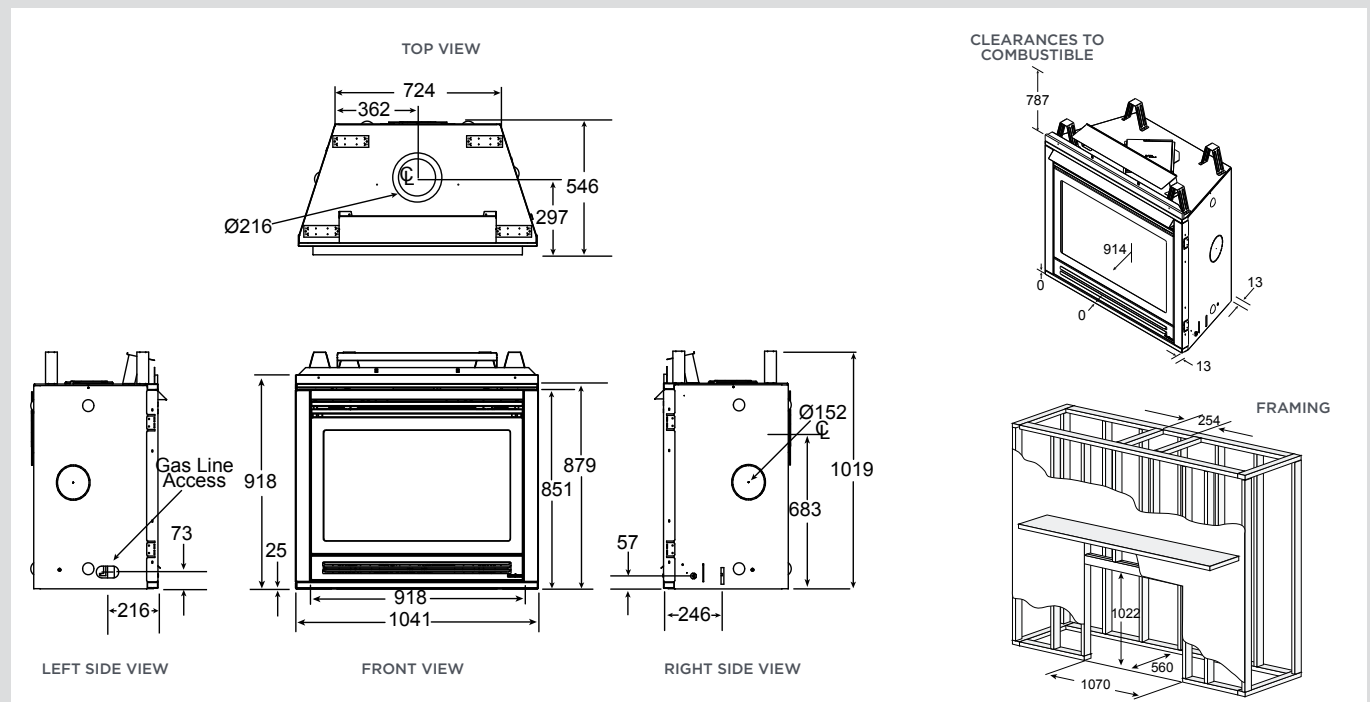
DESIGNED | *to inspire*

6000

Balanced Flue Gas Fireplace

6000 SPECIFICATIONS

MODEL	FRONT WIDTH		BACK WIDTH		HEIGHT		DEPTH		GLASS SIZE	kWh INPUT		
	Actual	Framing	Actual	Framing	Actual	Framing	Actual	Framing		N	P	B
6000TRS-CE	1041	1070	724	1070	1019	1022	546	560	800 x 475	10	10	9.5



Dimensions above are in millimeters and for reference only. We recommend measuring individual units at installation. Assumes the use of 13 mm gyprock.

Refer to installation manual for detailed specifications on installing this product. Heat & Glo reserves the right to update units periodically. The flame and ember appearance may vary based on the type of fuel burned and the venting configuration used. Photos in this brochure may vary in color and dimension [size] from the actual product.

6000 FEATURES

- Top or rear venting options provide installation flexibility
- Zero clearance provides ease of installation and cost savings
- Variable valve allows you to adjust the flame height and heat output
- Realistic ceramic fiber campfire style logs
- Balanced flue technology provides a sealed combustion chamber, maintaining indoor air quality
- Energy saving 79% efficiency with the authenticity of a traditional fire
- Standard decorative front with mesh provides clean lines and safety
- Optional stainless steel decorative front
- Optional variable speed fan with auto on/off
- Optional wall switch, wall thermostat or remote control offers true convenience
- 216 mm top or rear venting
- CE Certified 0086

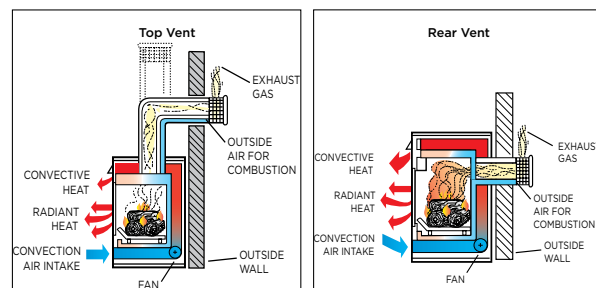
CONVENIENT OPERATION

A variety of controls are available. Whether you choose a wall switch, remote control or programmable wall thermostat, you are sure to find the right balance of compatibility and convenience, providing you with total control, even in the event of a power outage.

For complete information and valuable assistance on this model, please contact us at:

BALANCED FLUE GAS FIREPLACE

A completely sealed system, Heat & Glo balanced flue gas fireplaces draw 100% of combustion air from the outdoors and exhaust all combustion byproducts back outside, with no effect on indoor air quality. In addition, cold air drafts are eliminated and heat output is maximized. No power venting or fan is required for operation, eliminating the need for a conventional chimney, and allowing for installation in nearly any room of the home. TR technology, another Heat & Glo invention, allows for venting off the top or rear, providing even greater placement flexibility.



Front: 6000 shown with standard dress guard and optional Luna surround

HEAT & GLO

No one builds a better fire

A brand of
Hearth & Home Technologies Inc.

Fireplace glass and other surfaces get extremely HOT and can cause severe burns if touched. Do not remove the protective safety screen from the front of the glass. Keep a safe distance away. To learn more visit www.heatnglo.com/fireplacesafety.