



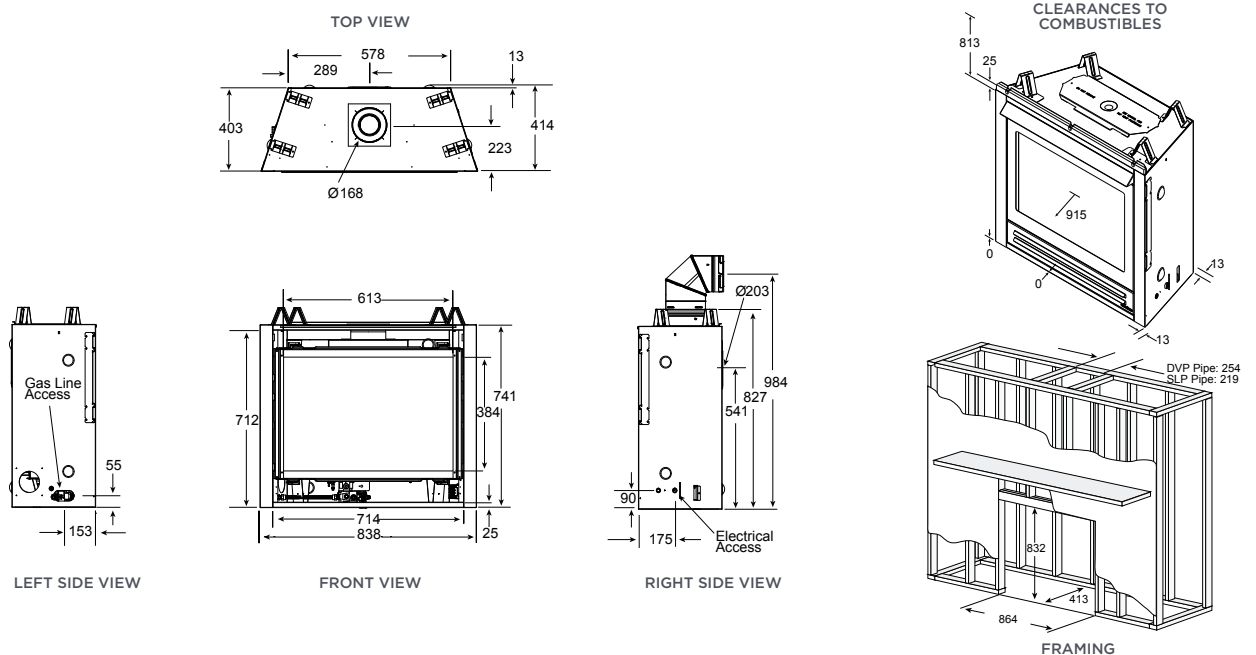
DESIGNED | *to inspire*

350

Balanced Flue Gas Fireplace

350 SPECIFICATIONS

MODEL	FRONT WIDTH		BACK WIDTH		HEIGHT		DEPTH		GLASS SIZE	mJh INPUT		
	Actual	Framing	Actual	Framing	Actual	Framing	Actual	Framing		N	ULP	P
350TRSI-AU	838	864	578	864	827	832	414	413	613 x 384			



Dimensions above are in millimeters and for reference only. We recommend measuring individual units at installation. Assumes the use of 10 mm gyprock.

Refer to installation manual for detailed specifications on installing this product. Heat & Glo reserves the right to update units periodically. The flame and ember appearance may vary based on the type of fuel burned and the venting configuration used. Photos in this brochure may vary in color and dimension [size] from the actual product.

350 FEATURES

- Top or rear venting options provide installation flexibility
- Zero clearance provides ease of installation and cost savings
- IntelliFire™ Plus ignition system
- Realistic ceramic fiber campfire style logs
- Shallow 414 mm depth makes it ideal for small spaces
- Balanced flue technology provides a sealed combustion chamber, maintaining indoor air quality
- Energy saving 77% efficiency with the authenticity of a traditional fire
- Standard dress guard with mesh provides clean lines and safety
- Optional stainless steel dress guard available
- Variable speed fan with auto on/off
- Multi-function remote provides temperature, flame height, fan speed and thermostat, offering true convenience
- 168 mm top venting/203 mm rear venting
- GSCS 20162 | AS 4553:2008 | SANS 1539:2008

INTELLIFIRE PLUS IGNITION SYSTEM

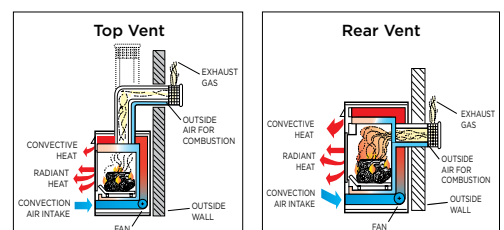
The IntelliFire Plus Ignition System (IPI Plus) is an advanced intermittent pilot ignition system with memory settings, a programmable wireless control and an optional battery backup feature. IPI Plus constantly monitors ignition, ensures safe functioning and helps conserve energy costs.

For complete information and valuable assistance on this model, please contact us at:

HEAT & GLO

No one builds a better fire

A brand of
Hearth & Home Technologies®



Fireplace glass and other surfaces get extremely HOT and can cause severe burns if touched. Do not remove the protective safety screen from the front of the glass. Keep a safe distance away. To learn more visit www.heatnglo.com/fireplacesafety.

HNG-0063A-0612

CONVENIENT OPERATION

Operate the fireplace, adjust the flame height and view the current room temperature all from the comfort of your chair. To protect the little ones, each remote comes with a wall bracket should you wish to locate the remote out of reach, and also activate the optional child safety start for even more protection.

BALANCED FLUE GAS FIREPLACE

A completely sealed system, Heat & Glo balanced flue gas fireplaces draw 100% of combustion air from the outdoors and exhaust all combustion byproducts back outside, with no affect on indoor air quality. In addition, cold air drafts are eliminated and heat output is maximized. No power venting or fan is required for operation, eliminating the need for a conventional chimney, and allowing for installation in nearly any room of the home. TR technology, another Heat & Glo invention, allows for venting off the top or rear, providing even greater placement flexibility.

Cover: 350 shown with standard dress guard and custom trim