

HEAT & GLO®



DESIGNED | *to inspire*

VRTIKL

Balanced Flue Gas Stove

VRTIKL

The beauty of modern design meets the intelligence of advanced engineering.

The sophisticated VRTIKL combines styling with advanced engineering. A slender shape and compact size make the VRTIKL a perfect addition to smaller and more intimate spaces. And, the natural convection design delivers excellent heat circulation.



Cover photo: VRTIKL shown with bronze curved outer glass and matching optional hearth pad.

Above: shown with gray curved outer glass, matching optional hearth pad and optional rear vent kit.

VRTIKL GAS STOVE



VRTIKL GAS STOVES

It's the best of both worlds. Sleek lines and contemporary styling combined with the advanced thinking and practicality of a balanced flue gas stove—that's VRTIKL.

Any way you look at it—from the finely detailed construction to the graceful shape to the tall, curved firebox opening—VRTIKL makes a powerful modern design statement.

- Curved glass front comes with a choice of two color tints (bronze or gray), giving you creative options to coordinate with your home's interior. Optional color tinted glass hearth pads match the parabolic shape of the stove.
- Tall viewing area maximizes enjoyment of the fire.
- Utilizes a completely sealed balanced flue system that vents off the top or rear. (Rear venting requires conversion kit.)

VRTIKL shown with optional hearth pad in bronze and gray.



RC300 STANDARD MULTI-FUNCTION CONTROL

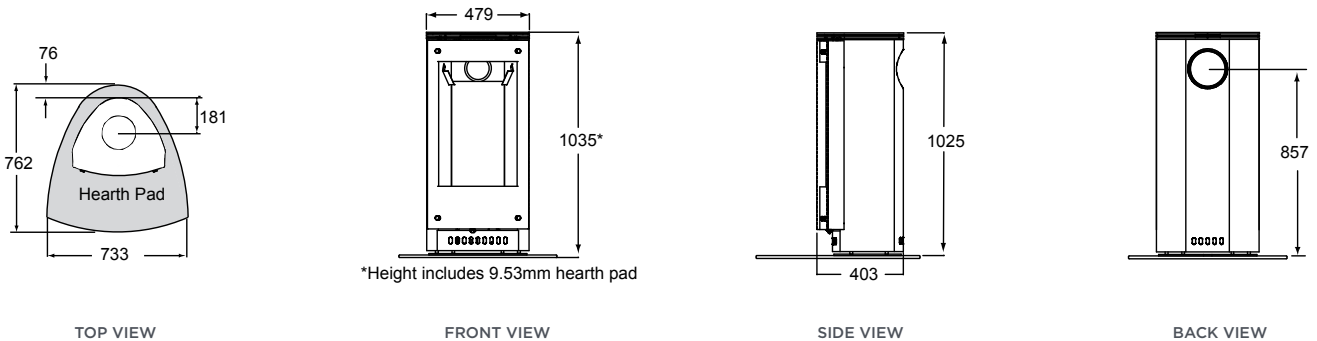
Controls the temperature of your room by turning the fireplace on and off when it reaches a set temperature.

- Manual, thermostat or timer model
- Celsius or Fahrenheit display
- Time and temperature display
- Flame adjustment
- Constant pilot function
- Optional ChildLock function
- Audible ignition signal
- Includes wall bracket

VRTIKL SPECIFICATIONS

MODEL	FRONT WIDTH	BACK WIDTH	HEIGHT	DEPTH	GLASS SIZE	kWh INPUT
VRTIKL	479	479	1025	403	470 x 877	N - 6.9 P - 6.6 B - 5.8

VRTIKL WITH HEARTH PAD



Dimensions above are in millimeters and for reference only. We recommend measuring individual units at installation. Make sure you do NOT cover the decorative door opening. Refer to installation manual for detailed specifications on installing this product. Heat & Glo reserves the right to update units periodically. The flame and ember appearance may vary based on the type of fuel burned and the venting configuration used. Pictures in this brochure are not true representations of the fireplace, flames and/or finishes.

VRTIKL FEATURES

- IntelliFire™ Plus ignition system provides fuel savings and easy operation
- Flame and art are brought together in this unique parabolic design
- Large vertical viewing area
- Ceramic inner glass provides increased heat transfer
- Optional curved front glass creates natural convection eliminating the need for a fan, offered in bronze or gray tint
- Optional bronze or gray tinted glass hearth pad
- Top or rear venting allows installation flexibility
- Multi-function remote provides temperature, flame height and thermostat, offering true convenience
- Heat management system allows you to adjust the heat output up to 40%
- No electrical required—not reliant on main power
- Energy saving 74% efficiency
- CE approved - 0086

INTELLIFIRE PLUS

The IntelliFire Plus Ignition System (IPI Plus) is an advanced intermittent pilot ignition system with memory settings, a programmable wireless control, and an optional continuous pilot mode. IPI Plus constantly monitors ignition, ensures safe functioning, and helps conserve energy costs.

CONVENIENT OPERATION

Operate the stove, adjust the flame height and view the current room temperature all from the comfort of your chair. To protect the little ones, each remote comes with a wall bracket should you wish to locate the remote out of reach, and also activate the optional child safety start for even more protection.

HEALTHY HEARTH

A completely sealed system, Heat & Glo balanced flue gas stoves draw 100% of combustion air from the outdoors and exhaust all combustion byproducts back outside, with no affect on indoor air quality. In addition, cold air drafts are eliminated and heat output is maximized. No electricity, power venting or fan are required to operate, eliminating the need for a conventional chimney, and allowing for installation in nearly any room of the home. TR technology, another Heat & Glo invention, allows for venting off the top or rear, providing even greater placement flexibility.

BEAUTY AND BRAINS

The design of the curved front glass panel not only provides beauty and distinction but delivers natural convection, eliminating the need for a fan.

For complete information and valuable assistance on this model, please contact us at:

HEAT & GLO
No one builds a better fire

A brand of
Hearth & Home Technologies Inc.

Fireplace, stove and insert surfaces get extremely HOT and can cause severe burns if touched. Keep a safe distance away. To learn more visit www.heatnglo.com/fireplacesafety

