

DUTCHWEST

Cast Iron Stoves



CLASSIC GOOD LOOKS. REMARKABLE PERFORMANCE.

Pure and simple.

With its clean lines & straightforward DESIGN,

a DutchWest stove provides beautiful simplicity that blends seamlessly with any décor.



And, with solid cast iron construction, remarkable state-of-the-art features and outstanding efficiency, you can be sure your DutchWest stove is made with quality you can see — and feel! With options in both catalytic and non-catalytic operation, each available in three sizes, there's a DutchWest stove designed to meet your heating needs.

HOW DO YOU PLAN TO USE YOUR WOOD BURNING STOVE?

CATALYTIC

If you're looking to replace a major portion of your heating needs with a wood stove, catalytic combustion is ideal, featuring:

- Higher efficiency heat output to help lower fuel costs
- Longer, more even heat output with thermostatic air control
- Reduced particulates for a cleaner, more eco-friendly burn

NON-CATALYTIC

Ideal for those with less heating demands, non-catalytic stoves are easy to start, operate and maintain, featuring:

- Lively flame picture
- Easy to use and maintain

**FAST-STARTING.
LONG-BURNING.
REMARKABLY EFFICIENT.**

Just what you expect
from DutchWest.

CATALYTIC & NON-CATALYTIC WOOD BURNING STOVES

CATALYTIC STOVES

Our DutchWest Catalytic Stove is available in three sizes to suit any heating need. Available in Small, Large and Extra-Large.

Save On Fuel Costs

DutchWest catalytic stoves use a convection-like system for longer, more even heating. This high efficiency method helps produce more heat from less wood, which in turn, helps reduce fuel costs to heat your home.

Clean-Burning Performance

Thanks to the help of the catalyst, smoke particulates are reduced to as little as 1.1 grams per hour. This ensures your family can enjoy a clean-burning stove that delivers all the heating power they need to keep warm.

Large, Clear Viewing Area

The large glass door provides an unobstructed view of the beautiful flames. The overfire airwash ensures the glass stays clean so friends and family can enjoy the view for years to come.

Stovetop Cooking

The unique, raised griddle provides the perfect spot to warm bread or cook other foods while enjoying the warmth and beauty of your cast iron stove.



Additional Features:

- Traditional Federal styling
- Solid, durable cast iron construction
- Decorative polished nickel accents
- Ash pan for convenient ash disposal
- “Fall Away” handle is cool to the touch, and easily stows away at the side of the stove
- Ash lip adds to the stove’s cleanliness by catching ashes when using the front-loading door
- Top and rear reversible flue collar – allows you to choose between the top and rear venting configurations
- Side-loading design provides easy access when loading the stove
- Bottom heat shield to accommodate standard hearth pad

Optional Accessories:

- Dual speed convection fan
- Rear and bottom heat shield
- Fan thermostat
- Fan rheostat

NON-CATALYTIC STOVES

With three different sizes, you can easily find the right stove for any room size. Available in Small, Medium and Large.

Efficient Warmth

DutchWest non-catalytic wood stoves earn high marks with the EPA for their outstanding emissions performance. In fact, DutchWest stoves are among the cleanest in the wood stove industry with emissions of less than 1.5 grams per hour!

Maximum Viewing Area

The large glass doors are designed with a clean face for an unobstructed, clear view of the dancing flames. And, an optional convection air blower augments the superior radiant heating ability of cast iron construction to deliver heat throughout your home.

Longer Burn Times

The state-of-the-art EVERBURN combustion system causes the gases produced from burning wood to mix with just the right amount of air to ensure they are burned completely. This produces cleaner emissions. Plus, DutchWest non-catalytic stoves can burn more steadily and longer on a single load of wood compared to other non-catalytic stoves.



Additional Features:

- Durable refractory lining
- Front and side-loading provides easy access when loading the stove
- Leg levelers allow the stove to be installed on uneven or rough surfaces
- Ash pan for convenient ash disposal
- “Fall Away” handle is cool to the touch, and easily stows away at the side of the stove
- Ash lip adds to the stove’s cleanliness by catching ashes when using the front-loading door
- Top and rear reversible flue collar – allows you to choose between the top and rear venting configurations
- 100% outside air connection with 3-inch diameter equipment connection comes standard
- A 3-inch outside air kit is required to complete outside air installation
- Beautiful andirons add decorative appeal and help contain wood load

Optional Accessories:

- Fan kit with rheostat
- Side heat shield
- Flue collar heat shield
- Outside air termination kit
- Mobile home kit – 2477 stove only (US and Canada)

DIRECT VENT - GAS STOVES

The Oxford direct vent gas stove combines the beauty and durability of wood burning stoves with the flexible installation and convenience of gas. The solid cast iron construction features a radiant ceramic burner system with a large glass viewing area for maximum viewing pleasure. The Dutchwest Oxford will add new warmth to any room in your home.

Efficient Warmth

DutchWest direct vent gas stoves burn with up to 81% efficiency! The Insta-Flame radiant ceramic burner system provides vibrant flames and a glowing ember bed.

Maximum Viewing Area

The large glass doors are designed with a clean face for an unobstructed, clear view of the dancing flames. And, an optional heat activated fan kit augments the superior radiant heating ability of cast iron construction to deliver heat throughout your home.

Safety First

Because our stoves were designed to deliver maximum BTUs to provide the best heating solutions for your home, the units will become hot to the touch. Consequently, all Vermont Castings direct vent stoves come standard with a certified safety barrier. The screen barrier, custom made to fit each direct vent model, affixes to your stove and has been approved by a third party testing agency to conform to specific standards designed to prevent injury from hot glass.



Additional Features:

- Classic Black finish
- Up to 28,000 BTUs of heat
- Field convertible from natural to liquid propane gas using the conversion kit included
- Ceramic glass front
- Realistic split oak ceramic fiber log set
- Remote or thermostat capable
- Discreet access door conceals control panel
- Can be installed on rigid wood flooring with only 4" side, rear, and corner clearance required

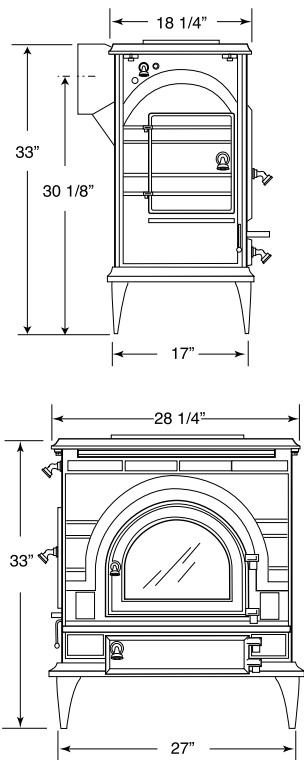
Optional Accessories:

- FK26 Variable Speed, Heat-Activated Fan Kit
- On/off and thermostatic remotes available from Ambient Technologies for the ultimate control of the Oxford gas stove.

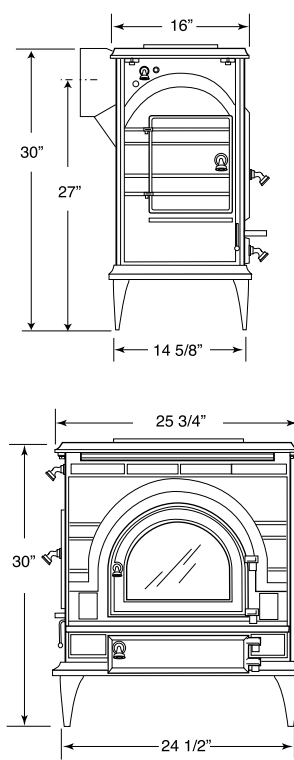
CATALYTIC STOVE SPECIFICATIONS

Size/Model No.	Extra-Large (2462)	Large (2461)	Small (2460)
Max BTUs per Hour	55,000	40,000	35,000
Efficiency Rating	74.3%	75.9%	69.7%
EPA Emissions Rating*	1.3 grams/hr	1.4 grams/hr	1.1 grams/hr
Heating Capacity	1,200-2,400 sq ft	800-1,600 sq ft	700 – 1,400 sq ft
Log Size	25"	22"	19"
Burn Time	Up to 12 hrs	Up to 10 hrs	Up to 8 hrs
Flue Collar Size	8" oval, reversible	6" round, reversible	6" round, reversible
Bottom Heat Shield	Yes	Yes	Yes

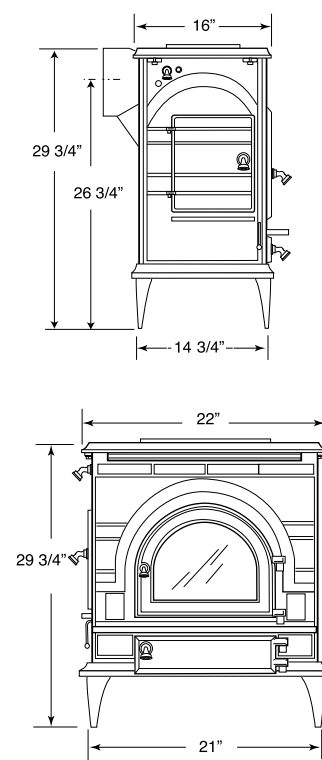
Catalytic Extra Large 2462



Catalytic Large 2461



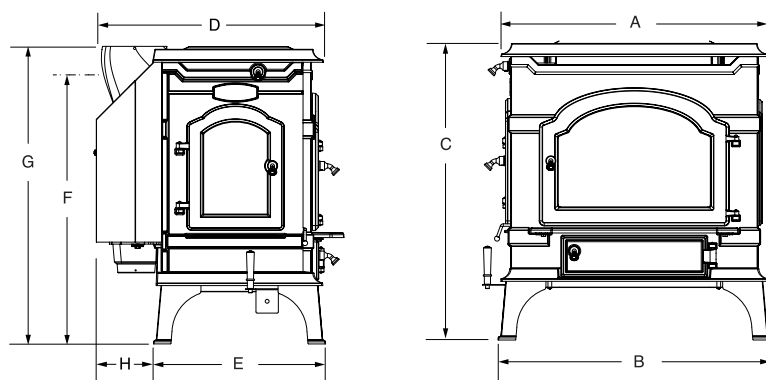
Catalytic Small 2460



NON-CATALYTIC STOVE SPECIFICATIONS

Size/Model No.	Large (2479)	Medium (2478)	Small (2477)
Max BTUs per Hour	55,000	40,000	35,000
Efficiency Rating	63%**	63%**	63%**
EPA Emissions Rating*	1.31 grams/hr	1.49 grams/hr	1.41 grams/hr
Heating Capacity	1,000-2,400 sq ft	800-1,600 sq ft	700-1,400 sq ft
Log Size	22-24"	20-22"	19"
Burn Time	Up to 14 hrs	Up to 10 hrs	Up to 8 hrs
Flue Collar Size	6"	6"	6"
Bottom Heat Shield	Yes	Yes	Yes

Model No.	Large (2479)	Medium (2478)	Small (2477)
A	29 1/4" (743 mm)	26 3/4" (683 mm)	24" (610 mm)
B	29 3/4" (756 mm)	27 1/4" (695 mm)	24 1/2" (622 mm)
C	32 1/2" (826 mm)	29 3/4" (756 mm)	29 3/4" (756 mm)
D	24 1/2" (622 mm)	23" (584 mm)	23" (584 mm)
E	19" (483 mm)	17 1/4" (445 mm)	17 1/2" (445 mm)
F	30 1/4" (768 mm)	27 1/4" (692 mm)	27" (686 mm)
CENTER OF FLUE COLLAR, REAR EXIT			
G	34" (864 mm)	30 1/2" (775 mm)	30 1/2" (775 mm)
H	5 3/4" (146 mm)	5 3/4" (146 mm)	5 3/4" (146 mm)



* Under specific conditions used during EPA emissions testing
 ** Efficiency rating for these models is the EPA default figure

DIRECT VENT- CAST STOVE SPECIFICATIONS

Model No.	OXDV
Dimensions	24 1/2"W x 28 3/8"H x 17"D
Max BTUs per Hour	28,000
Thermal Efficiency	81%
Canadian P4 Efficiency	63%
Heating Capacity	1,200 sq ft



DUTCHWEST

To avoid personal injury or property damage, the product described by this brochure must be installed, operated and maintained in strict compliance with the instructions packaged with the product and all applicable building or fire codes. Contact local building or fire officials about restrictions and installation inspection requirements. All photographs and drawings on this brochure are for illustrative purposes only and are not intended for, nor should they be used as a substitute for, the instructions packaged with the unit. Appearance and specifications of the product are subject to change without notice.

©2016 Hearth & Home Technologies

DW-1000-1116

Your Dealer