

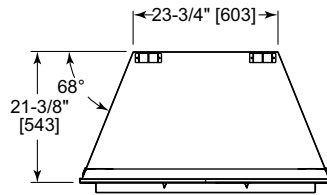


Please consult the manufacturer's installation manual for all details and requirements before making a final design layout decision.

Villa Gas 36

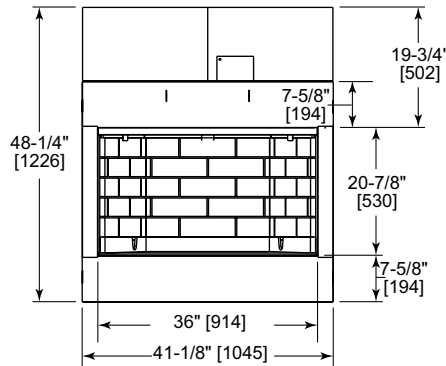
Outdoor Gas Fireplace

MODEL	FRONT WIDTH		BACK WIDTH		HEIGHT		DEPTH		VIEWING AREA
	Actual	Framing	Actual	Framing	Actual	Framing	Actual	Framing	
ODVILLAG-36	41-1/8	42	23-3/4	42	39-1/2	39-3/4	21-3/8	21-1/2	36 x 20-7/8

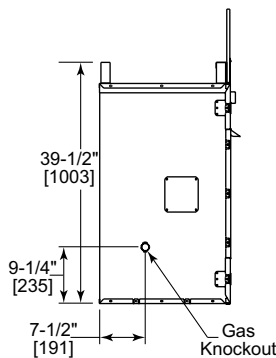


Top View

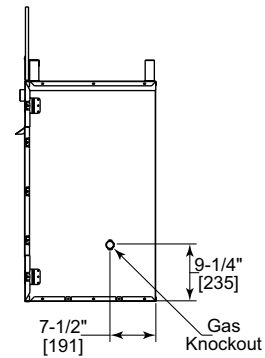
TOP VIEW



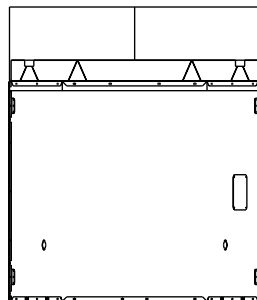
Front View



Left Side View

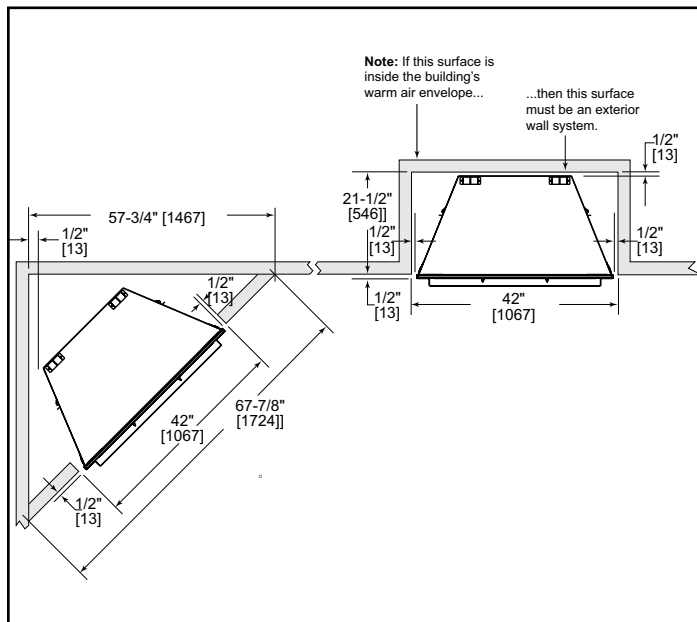


Right Side View

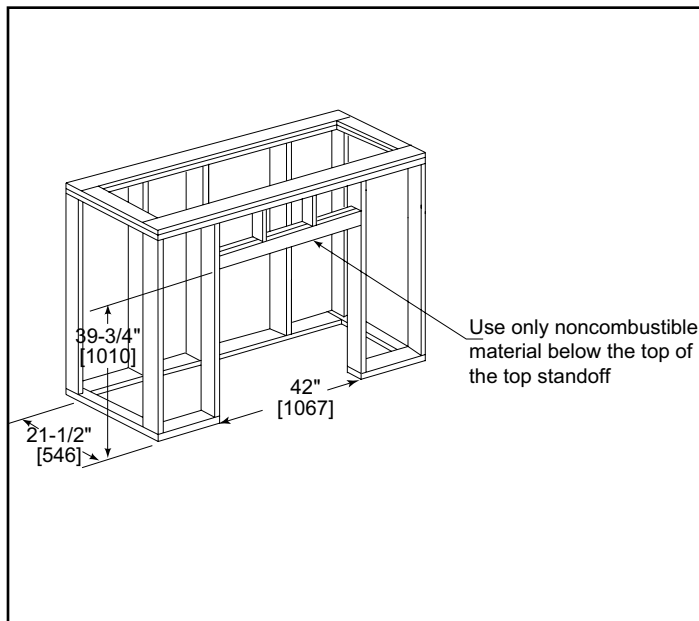


Rear View

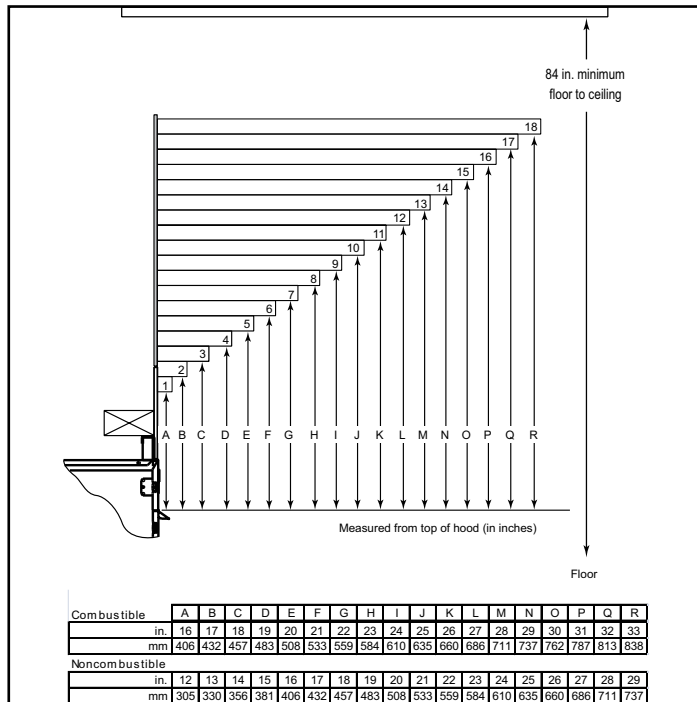
APPLIANCE LOCATION



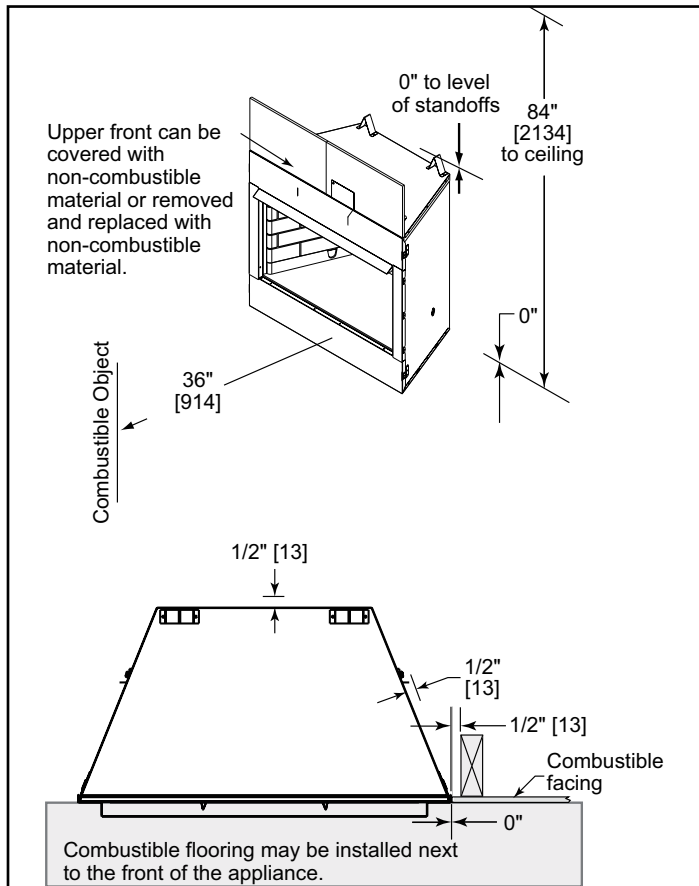
FRAMING DIMENSIONS



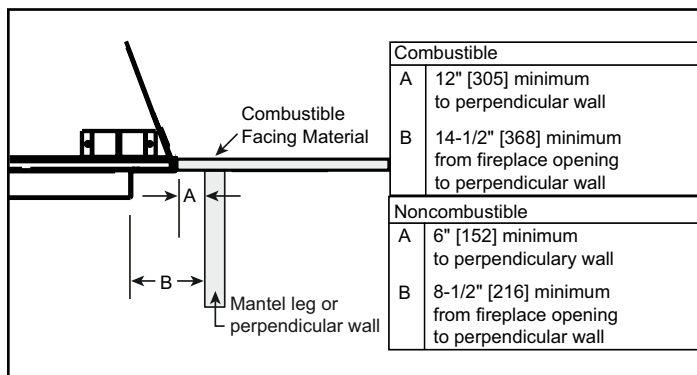
MANTEL PROJECTIONS



CLEARANCES TO COMBUSTIBLES



LEG/WALL PROJECTIONS



PRODUCT LISTING CODES	
US	ANSI Z21.97-2010
CAN	CR97-003

Product information provided is not complete and is subject to change without notice. Product installation must adhere strictly to instructions accompanying product to avoid risk of fire and potential injury.

Additional information can be found online at www.fireplaces.com