

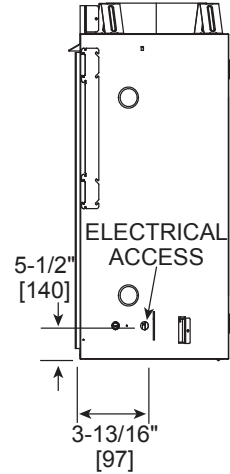
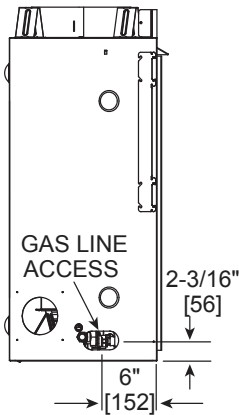
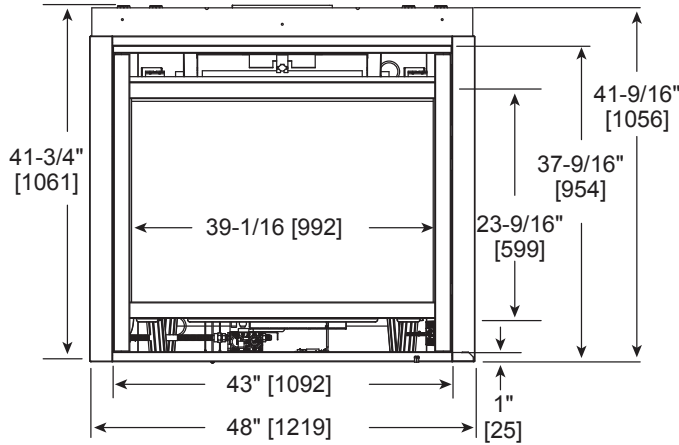
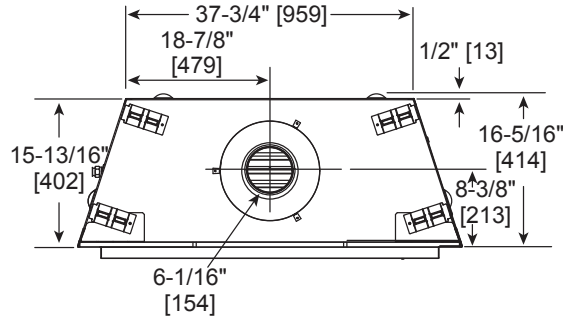


Please consult the manufacturer's installation manual for all details and requirements before making a final design layout decision.

# SL-950TV

B-Vent Gas Fireplace

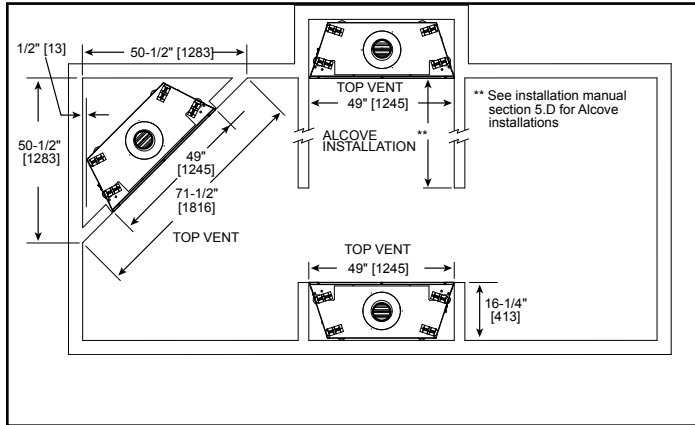
MODEL	FRONT WIDTH		BACK WIDTH		HEIGHT		DEPTH		VIEWING AREA
	Actual	Framing	Actual	Framing	Actual	Framing	Actual	Framing	
SL-950TV-E	48	49	37-3/4	49	41-3/4	42-1/4	16-5/16	16-1/4	39-1/16 x 23-9/16



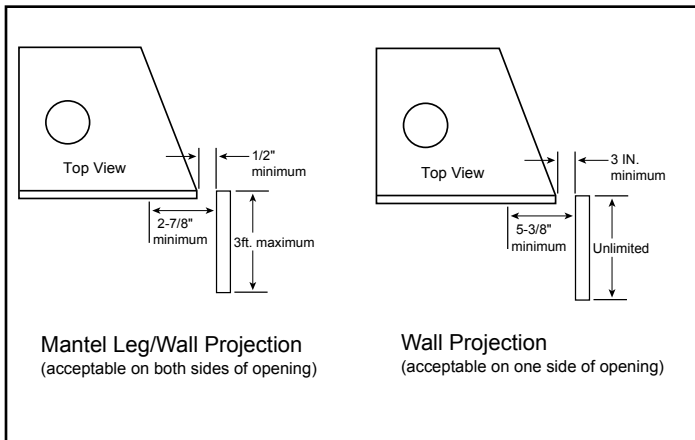
## MINIMUM FIREPLACE CLEARANCES

AREA	TO COMBUSTIBLES (in inches)
CLEARANCE TO CEILING	32
COMBUSTIBLE/NON-COMBUSTIBLE FLOOR	0
BEHIND APPLIANCE	1/2
SIDES OF APPLIANCE	1/2
FRONT OF APPLIANCE	36

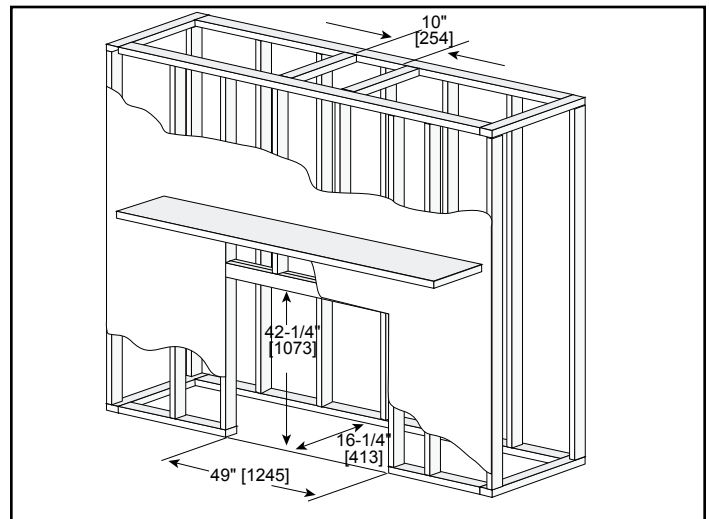
## APPLIANCE LOCATION



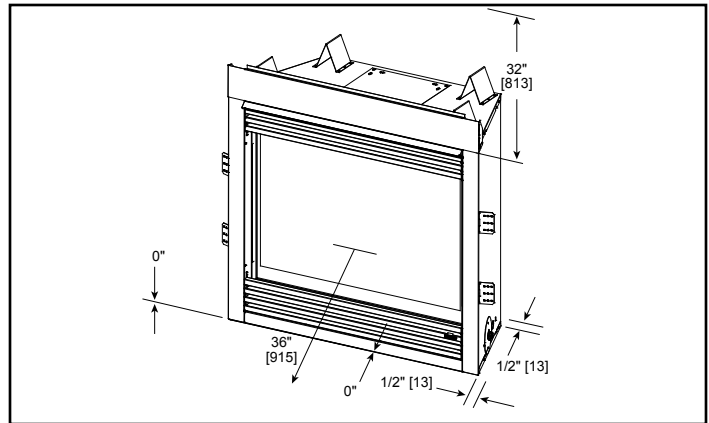
## MANTEL LEG/WALL PROJECTIONS



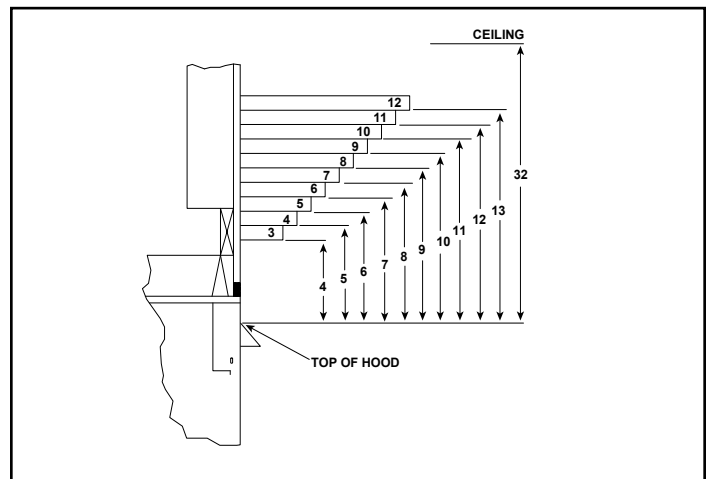
## FRAMING DIMENSIONS



## CLEARANCES TO COMBUSTIBLES



## MANTEL PROJECTIONS



PRODUCT LISTING CODES	
US	ANSI Z21.50-2007
CAN	CSA 2.22-2007
	UL307B

Product information provided is not complete and is subject to change without notice. Product installation must adhere strictly to instructions accompanying product to avoid risk of fire and potential injury.

Additional information can be found online at [www.heatnglo.com](http://www.heatnglo.com)