

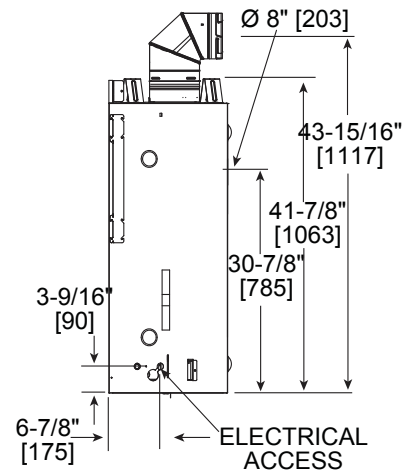
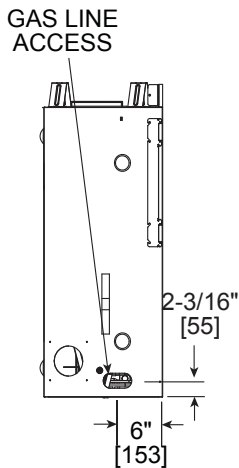
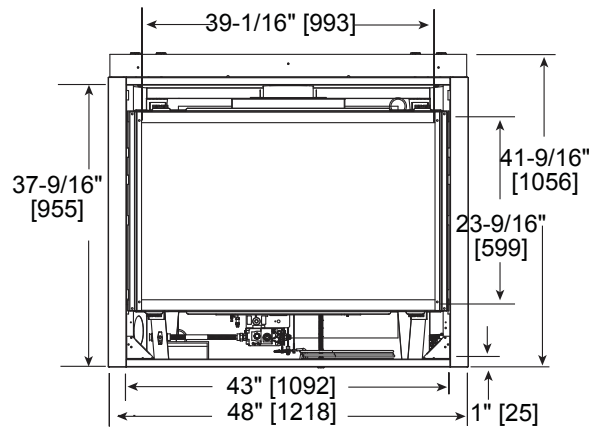
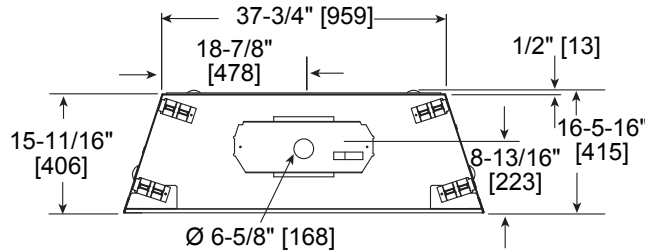


Please consult the manufacturer's installation manual for all details and requirements before making a final design layout decision.

SL-950TR

Direct Vent Gas Fireplace

MODEL	FRONT WIDTH		BACK WIDTH		HEIGHT		DEPTH		VIEWING AREA
	Actual	Framing	Actual	Framing	Actual	Framing	Actual	Framing	
SL-950TR-E	48	49	37-3/4	49	41-7/8	42-1/4	16-5/16	16-1/4	39-1/16 x 23-9/16



MINIMUM FIREPLACE CLEARANCES

AREA	TO COMBUSTIBLES (in inches)
CLEARANCE TO CEILING	32
COMBUSTIBLE/NON-COMBUSTIBLE FLOOR	0
BEHIND APPLIANCE	1/2
SIDES OF APPLIANCE	1/2
FRONT OF APPLIANCE	36

APPLIANCE LOCATION

Model		A	B	C	E	F	G	
SL-950TR-E	in	50-1/2	49	71-1/2	1	1/2	50-1/2	
	mm	1283	1245	1816	25	13	1283	
		H	I	J	K	L	M	N
SL-950TR-E	in	71-1/2	16-1/4	50-1/2	71-1/2	19-1/2	9-1/4	11-5/8
	mm	1816	413	1283	1816	495	235	295

FRAMING DIMENSIONS

	A Rough Opening (Width)		B Rough Opening (Height)	C Rough Opening (Depth)		D Rough Opening (Width)
	DVP pipe	SLP pipe		DVP pipe	SLP pipe	
in.	10	8-5/8	42-1/4	16-1/4	16-1/4	49
mm	254	219	1073	413	413	1245

CLEARANCES TO COMBUSTIBLES

WALL PENETRATION

MANTEL PROJECTIONS

MANTEL LEG/WALL PROJECTIONS

Mantel Leg Projection
(acceptable on both sides of opening)

Wall Projection
(acceptable on one side of opening)

PRODUCT LISTING CODES	
US	ANSI Z21.88a-2007
CAN	CSA 2.33a-M2007
	UL307B

Product information provided is not complete and is subject to change without notice. Product installation must adhere strictly to instructions accompanying product to avoid risk of fire and potential injury.

Additional information can be found online at www.heatnglo.com