

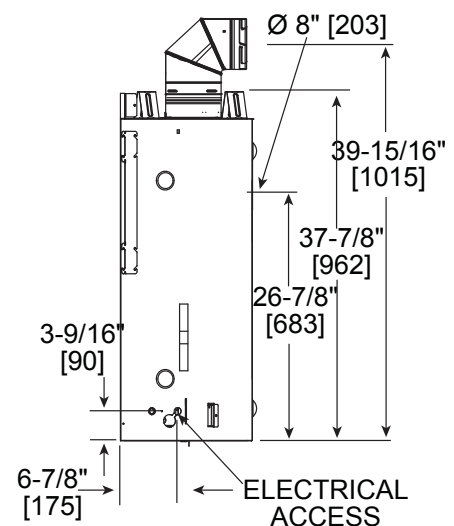
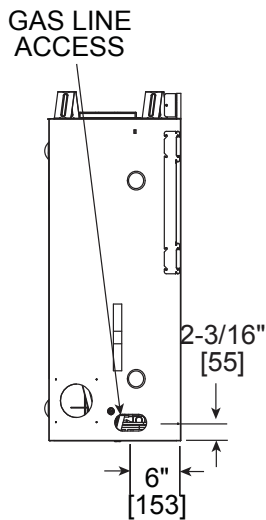
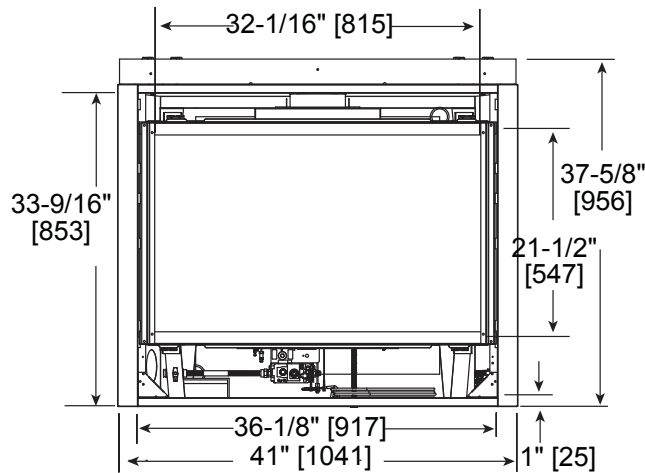
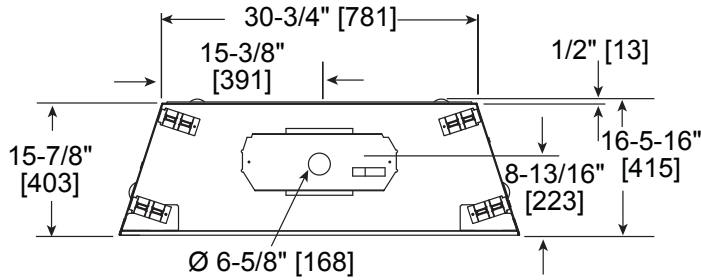


Please consult the manufacturer's installation manual for all details and requirements before making a final design layout decision.

SL-750TRS

Direct Vent Gas Fireplace

MODEL	FRONT WIDTH		BACK WIDTH		HEIGHT		DEPTH		VIEWING AREA
	Actual	Framing	Actual	Framing	Actual	Framing	Actual	Framing	
SL-750TRS	41	42	30-3/4	42	37-7/8	38-1/4	16-5/16	16-1/4	32-1/16 x 21-1/2



MINIMUM FIREPLACE CLEARANCES

AREA	TO COMBUSTIBLES (in inches)
CLEARANCE TO CEILING	32
COMBUSTIBLE/NON-COMBUSTIBLE FLOOR	0
BEHIND APPLIANCE	1/2
SIDES OF APPLIANCE	1/2
FRONT OF APPLIANCE	36

APPLIANCE LOCATION

Model		A	B	C	E	F	G
SL-750TRS-IPI	in	45-1/2	42	64-3/8	1	1/2	45-1/2
	mm	1155	1067	1635	25	13	1155
		H	I	J	K	L	M
SL-750TRS-IPI	in	64-3/8	16-1/4	48-1/2	68-3/4	16-5/8	7-1/2
	mm	1635	413	1232	1737	422	191

FRAMING DIMENSIONS

	A Rough Opening (Width)		B Rough Opening (Height)	C Rough Opening (Depth)		D Rough Opening (Width)
	DVP pipe	SLP pipe		DVP pipe	SLP pipe	
in.	10	8-5/8	38-1/4	16-1/4	16-1/4	42
mm	254	219	971	413	413	1067

CLEARANCES TO COMBUSTIBLES

Measure from top of unit opening or from top of hood

32" [813]

36" [915]

1/2" [13]

0"

1/2" [13]

WALL PENETRATION

10"

10"

10"

12"

41" [1041]

27-7/8" [708]

40" [1016]

26-7/8" [683]

*Shows center of vent hole for top or rear venting. Center of hole is 1" above the center of the horizontal vent pipe.

MANTEL PROJECTIONS

CEILING

32

12

11

10

9

8

7

6

5

4

3

4

5

6

7

8

9

10

11

12

13

TOP OF HOOD

MANTEL LEG/WALL PROJECTIONS

Top View

1/2" minimum

2-7/8" minimum

3ft. maximum

Top View

3 IN. minimum

5-7/8" minimum

Unlimited

Mantel Leg Projection (acceptable on both sides of opening)

Wall Projection (acceptable on one side of opening)

PRODUCT LISTING CODES	
US	ANSI Z21.88a-2007
CAN	CSA 2.33a-M2007
US LISTED	UL307B

Product information provided is not complete and is subject to change without notice. Product installation must adhere strictly to instructions accompanying product to avoid risk of fire and potential injury.

Additional information can be found online at www.heatnglo.com