

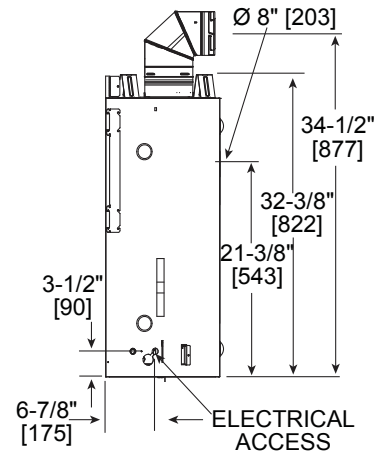
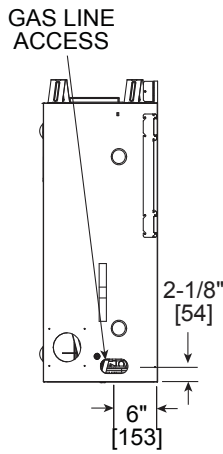
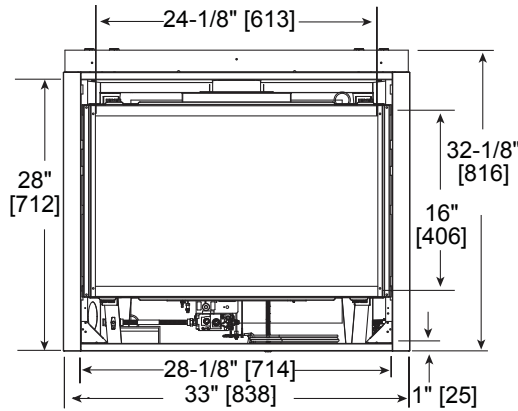
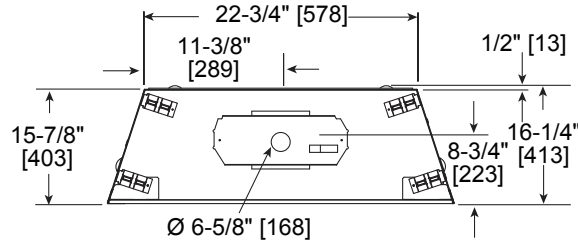


Please consult the manufacturer's installation manual for all details and requirements before making a final design layout decision.

SL-350TRS

Direct Vent Gas Fireplace

MODEL	FRONT WIDTH		BACK WIDTH		HEIGHT		DEPTH		VIEWING AREA
	Actual	Framing	Actual	Framing	Actual	Framing	Actual	Framing	
SL-350TRS-IPI	33	34	22-3/4	34	32-3/8	32-3/4	16-1/4	16-1/4	24-3/16 x 16



MINIMUM FIREPLACE CLEARANCES

AREA	TO COMBUSTIBLES (in inches)
CLEARANCE TO CEILING	32
COMBUSTIBLE/NON-COMBUSTIBLE FLOOR	0
BEHIND APPLIANCE	1/2
SIDES OF APPLIANCE	1/2
FRONT OF APPLIANCE	36

APPLIANCE LOCATION

Model		A	B	C	E	F	G
SL-350TRS-IPI	in	39-1/2	34	55-7/8	1	1/2	44
	mm	1003	864	1413	25	13	1117
SL-350TRS-IPI		H	I	J	K	L	M
	in	62-1/4	16-1/4	48-1/2	68-3/4	13-1/2	7-1/2
	mm	1581	413	1232	1737	343	191

FRAMING DIMENSIONS

	A Rough Opening (Width)		B Rough Opening (Height)	C Rough Opening (Depth)		D Rough Opening (Width)
	DVP pipe	SLP pipe		DVP pipe	SLP pipe	
in.	10	8-5/8	32-3/4	16-1/4	16-1/4	34
mm	254	219	832	413	413	864

CLEARANCES TO COMBUSTIBLES

WALL PENETRATION

MANTEL PROJECTIONS

MANTEL LEG/WALL PROJECTIONS

Mantel Leg Projection
(acceptable on both sides of opening)

Wall Projection
(acceptable on one side of opening)

PRODUCT LISTING CODES	
US	ANSI Z21.88a-2007
CAN	CSA 2.33a-M2007
	UL307B

Product information provided is not complete and is subject to change without notice. Product installation must adhere strictly to instructions accompanying product to avoid risk of fire and potential injury.

Additional information can be found online at www.heatnglo.com