

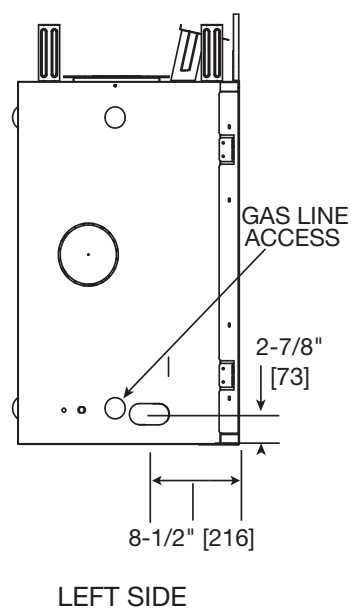
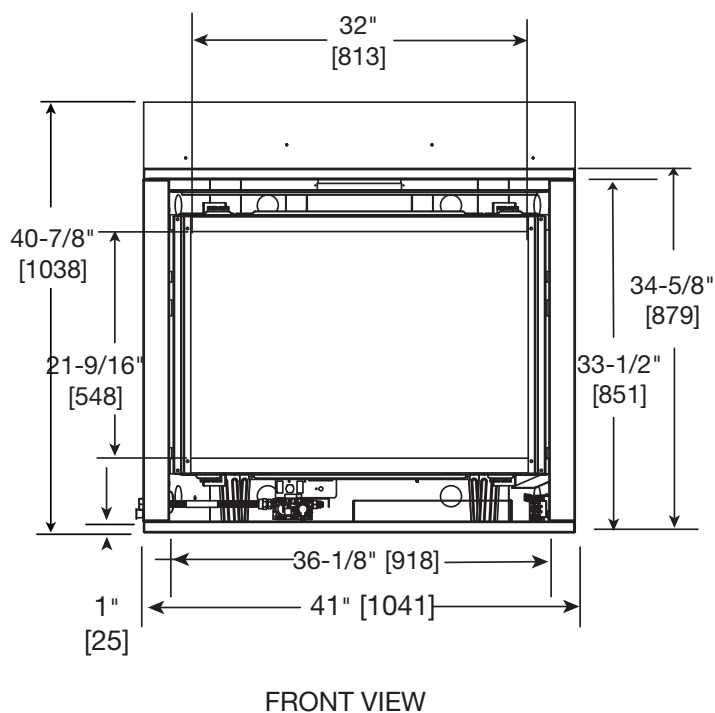
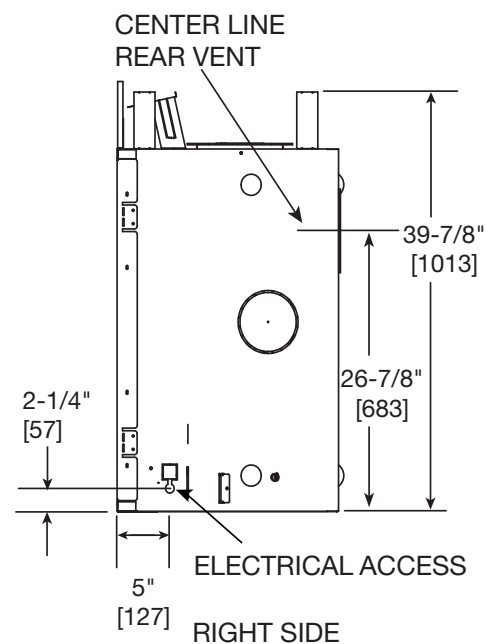
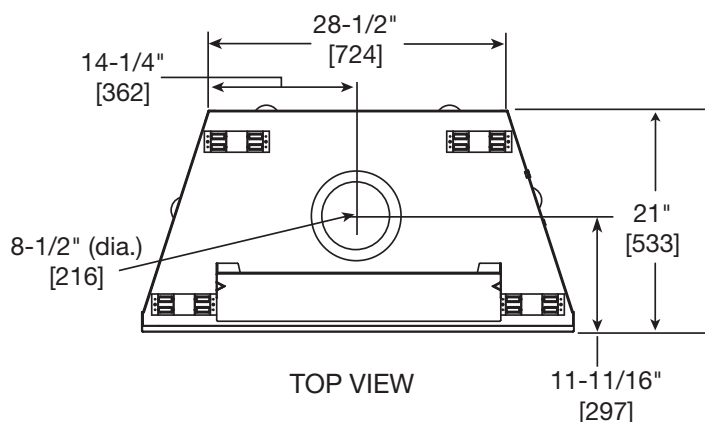
MAJESTIC

Please consult the manufacturer's installation manual for all details and requirements before making a final design layout decision.

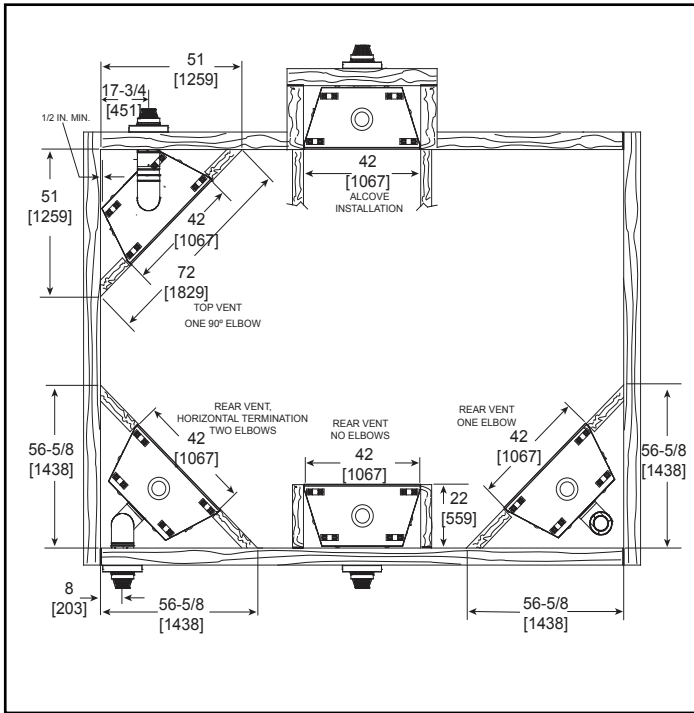
Meridian

Direct Vent Gas Fireplace

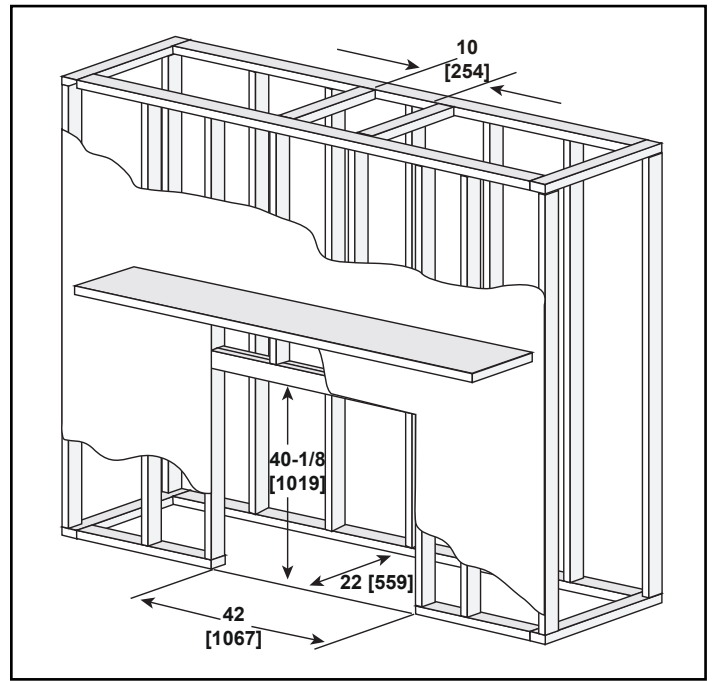
MODEL	FRONT WIDTH		BACK WIDTH		HEIGHT		DEPTH		GLASS SIZE
	ACTUAL	FRAMING	ACTUAL	FRAMING	ACTUAL	FRAMING	ACTUAL	FRAMING	
DBDV36	41" (1041mm)	42" (1067mm)	28-1/2" (724mm)	42" (1067mm)	40-7/8" (1038mm)	40-1/8" (1019mm)	21" (533mm)	22" (559mm)	32" x 21-9/16" (813mm x 548mm)



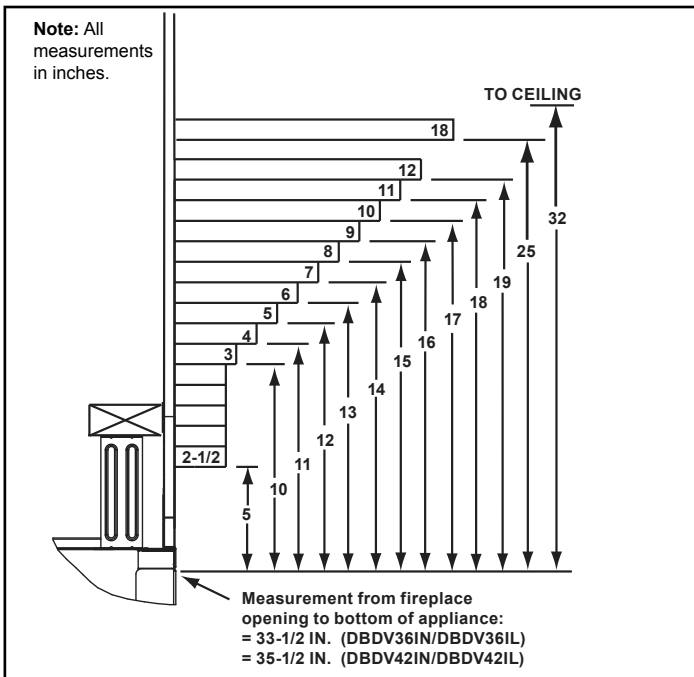
APPLIANCE LOCATION



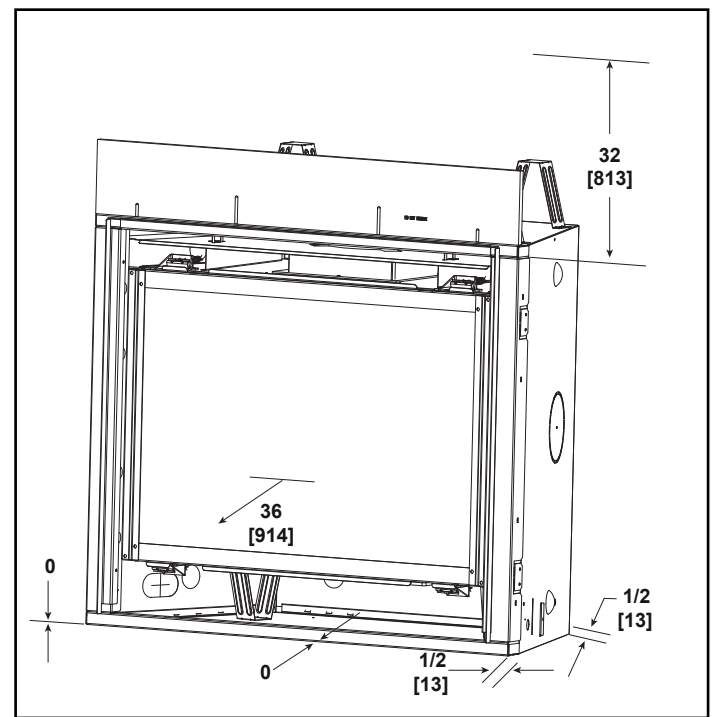
FRAMING DIMENSIONS



MANTEL AND WALL PROJECTIONS



CLEARANCES TO COMBUSTIBLES



PRODUCT LISTING CODES	
US	ANSI Z21.88-2014
CAN	CSA 2.33-2014

Product information provided is not complete and is subject to change without notice. Product installation must adhere strictly to instructions accompanying product to avoid risk of fire and potential injury.

Additional information can be found online at www.majesticproducts.com

MAJESTIC

Lakeville, MN Phone: (800) 927-6841
Web: www.majesticproducts.com



MAJ/MERIDIAN_DBDV36_0616