

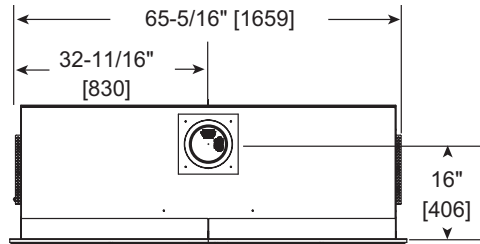
MAJESTIC

Please consult the manufacturer's installation manual for all details and requirements before making a final design layout decision.

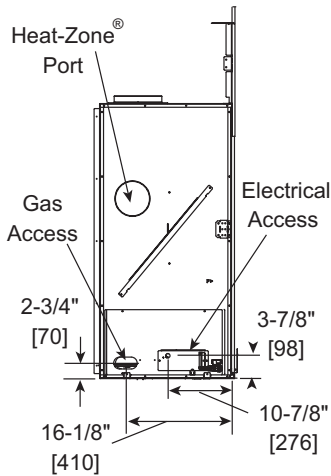
MARQUIS II 42
Direct Vent Gas Fireplace

MODEL	HEIGHT		FRONT WIDTH		BACK WIDTH		DEPTH		GLASS SIZE
	Actual	Framing	Actual	Framing	Actual	Framing	Actual	Framing	
MARQ42IN	62-5/8" [1591]	61" [1549]	67" [1702]	65-9/16" [1665]	65-5/16" [1659]	65-9/16" [1665]	24" [610]	24" [610]	41-7/8" x 36-1/16" [1064 X 916]

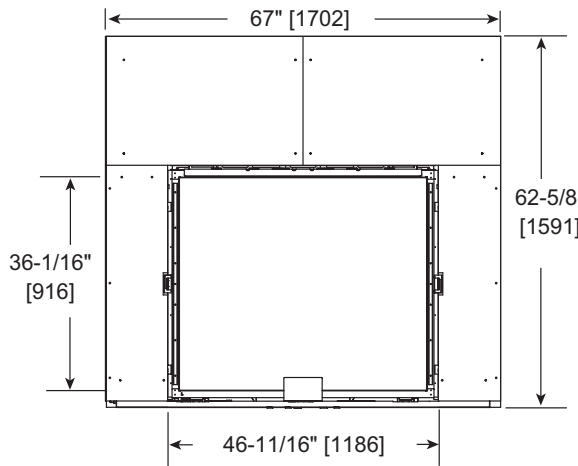
TOP VIEW



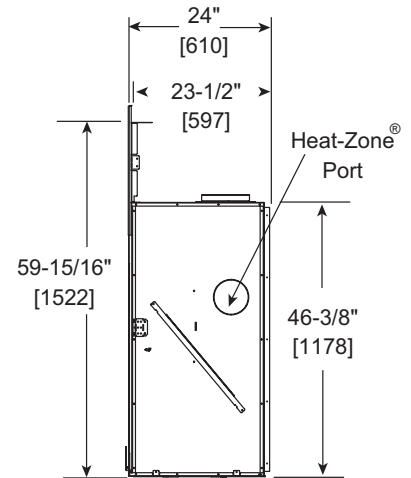
LEFT SIDE



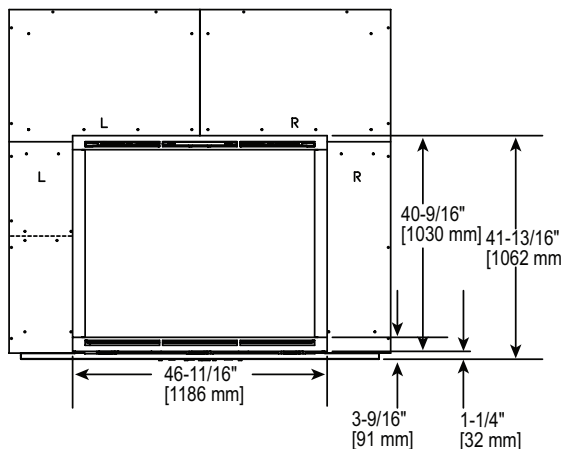
FRONT VIEW



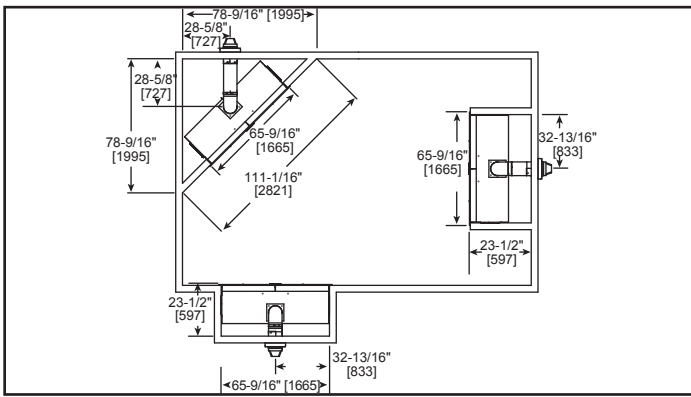
RIGHT SIDE



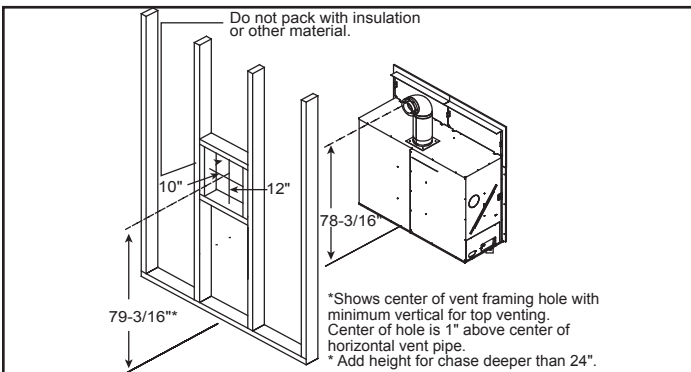
DECORATIVE FRONT



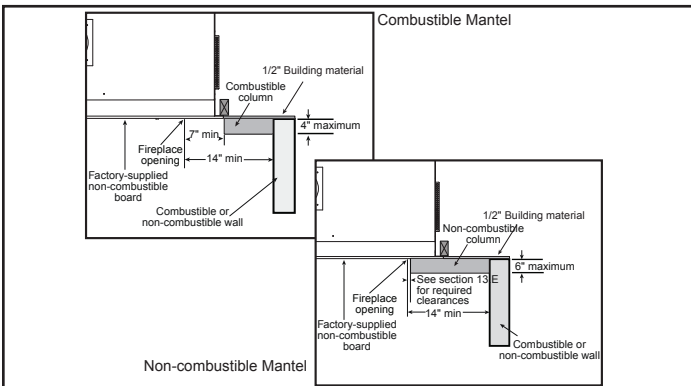
APPLIANCE LOCATION



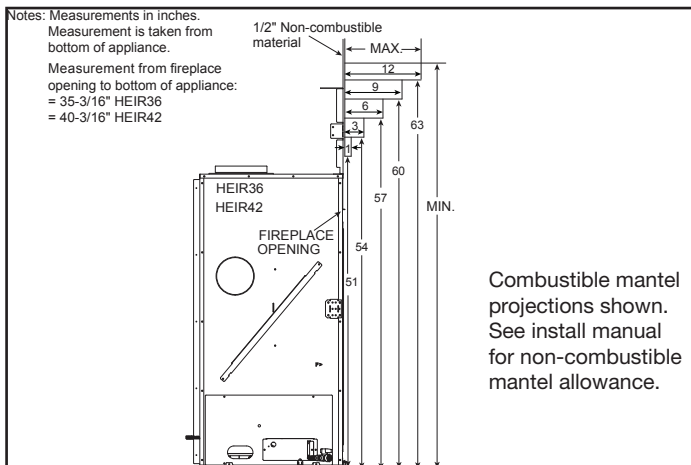
WALL PENETRATION



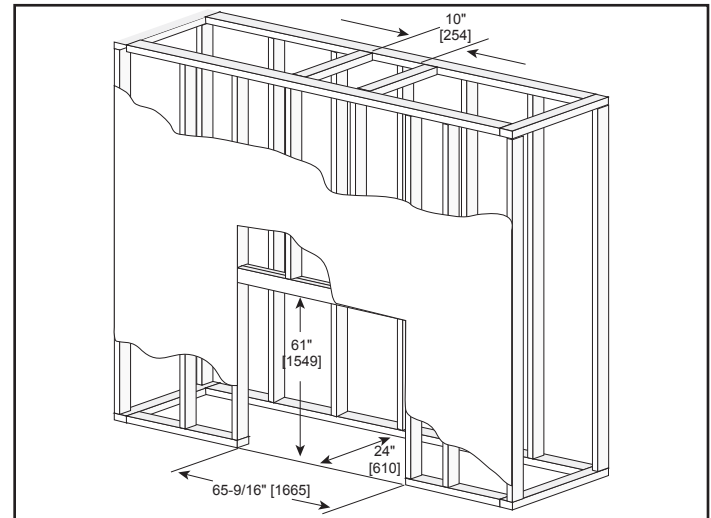
MANTEL LEG/WALL PROJECTIONS



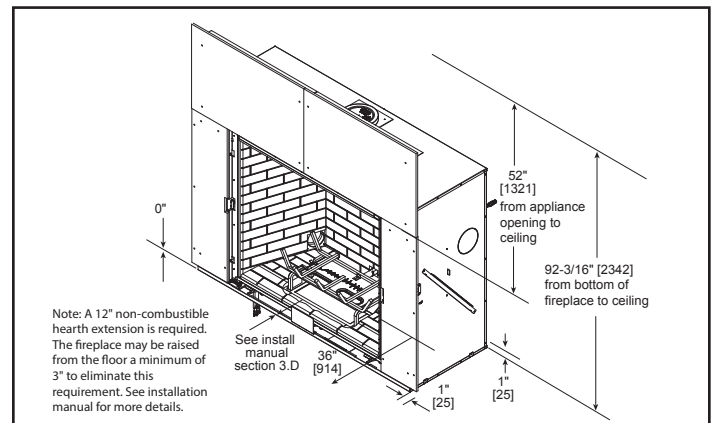
COMBUSTIBLE MANTEL PROJECTIONS



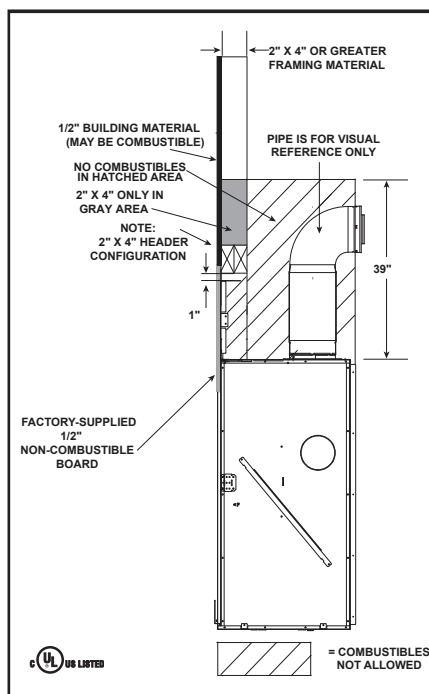
FRAMING DIMENSIONS



CLEARANCES TO COMBUSTIBLES



NON-COMBUSTIBLE ZONE



PRODUCT LISTING CODES	
US	ANSI Z21.88-2009
CAN	CSA 2.33-2009
US LISTED	UL307B

Product information provided is not complete and is subject to change without notice. Product installation must adhere strictly to instructions accompanying product to avoid risk of fire and potential injury.