

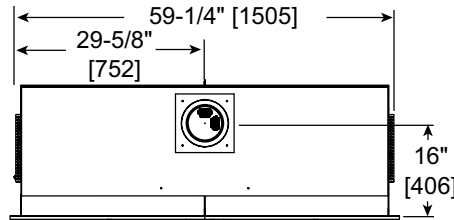
**MAJESTIC**

Please consult the manufacturer's installation manual for all details and requirements before making a final design layout decision.

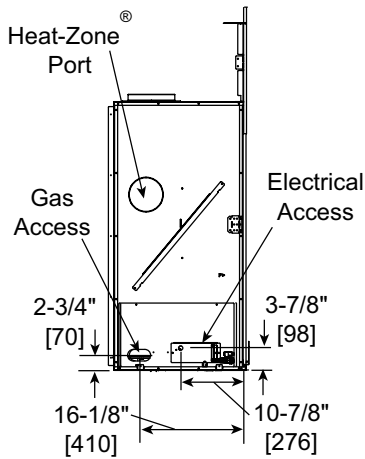
**MARQUIS II 36**  
Direct Vent Gas Fireplace

| MODEL    | HEIGHT            |               | FRONT WIDTH   |                   | BACK WIDTH        |                   | DEPTH        |              | GLASS SIZE                        |
|----------|-------------------|---------------|---------------|-------------------|-------------------|-------------------|--------------|--------------|-----------------------------------|
|          | Actual            | Framing       | Actual        | Framing           | Actual            | Framing           | Actual       | Framing      |                                   |
| MARQ36IN | 57-5/8"<br>[1464] | 56"<br>[1422] | 61"<br>[1549] | 59-1/2"<br>[1511] | 59-1/4"<br>[1505] | 59-1/2"<br>[1511] | 24"<br>[610] | 24"<br>[610] | 35-7/8" x 31-1/16"<br>[911 X 789] |

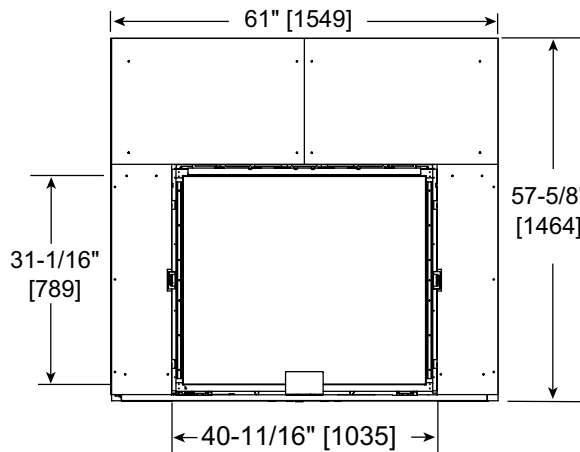
**TOP VIEW**



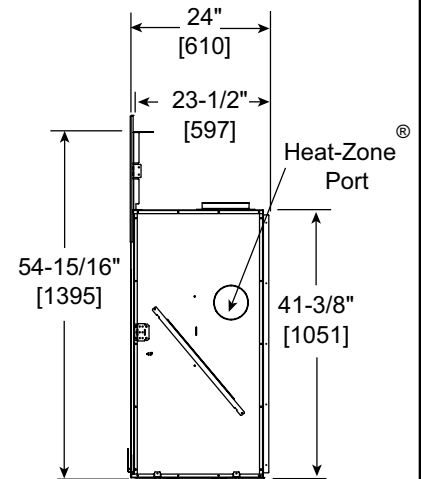
**LEFT SIDE**



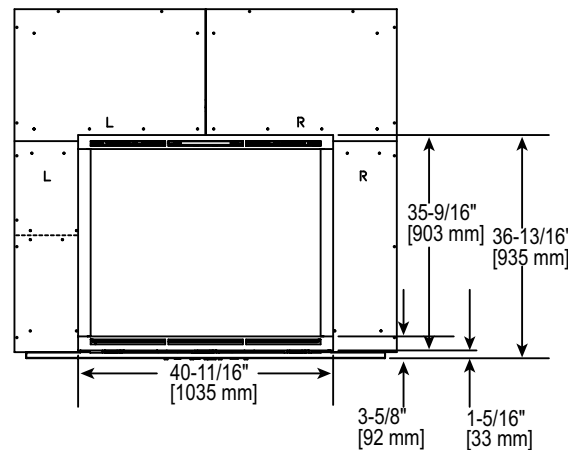
**FRONT VIEW**



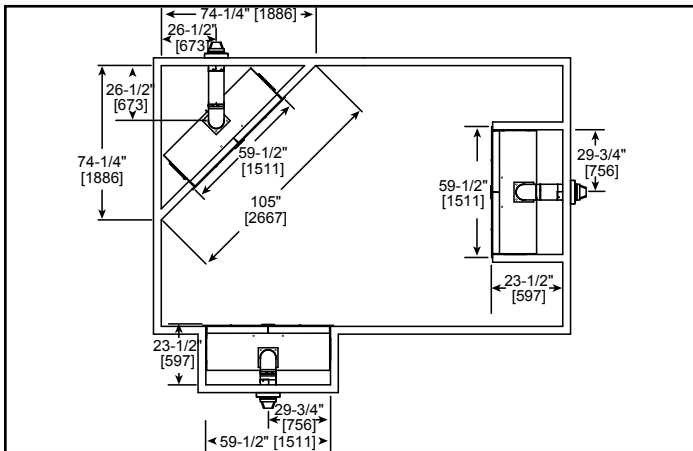
**RIGHT SIDE**



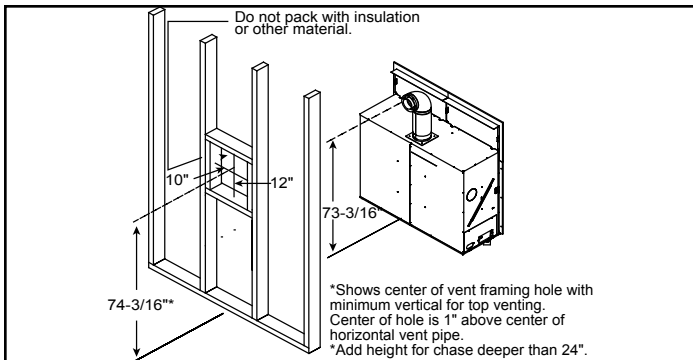
**DECORATIVE FRONT**



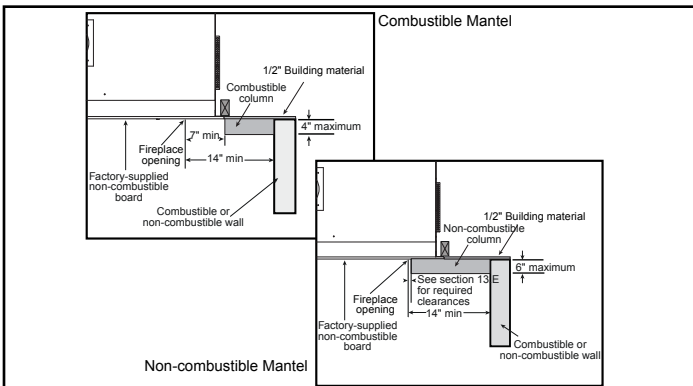
**APPLIANCE LOCATION**



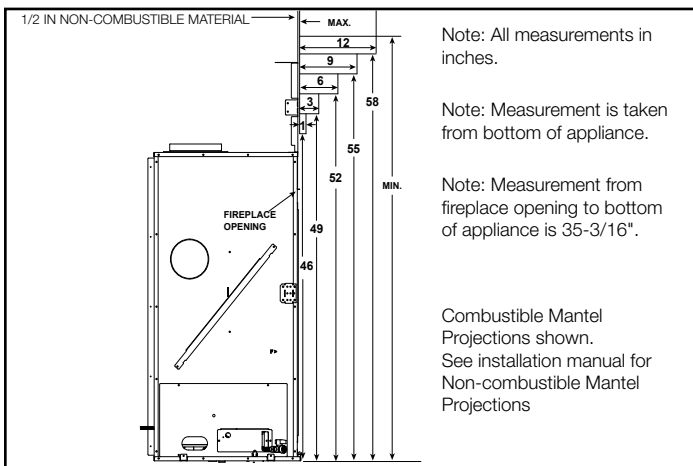
**WALL PENETRATION**



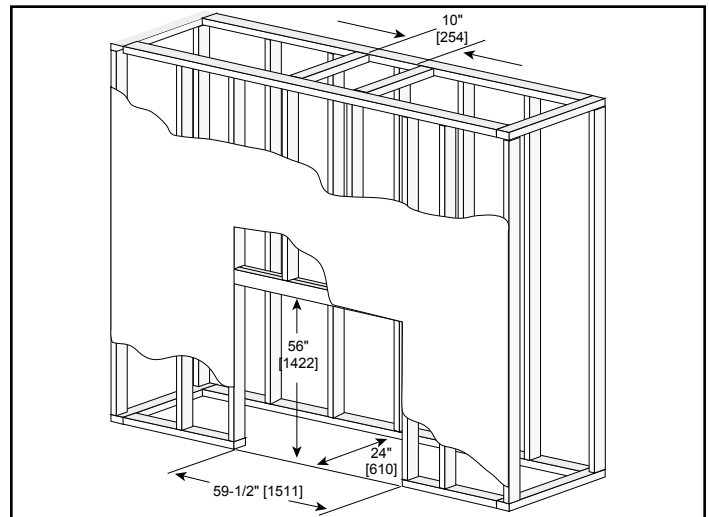
**MANTEL LEG/WALL PROJECTIONS**



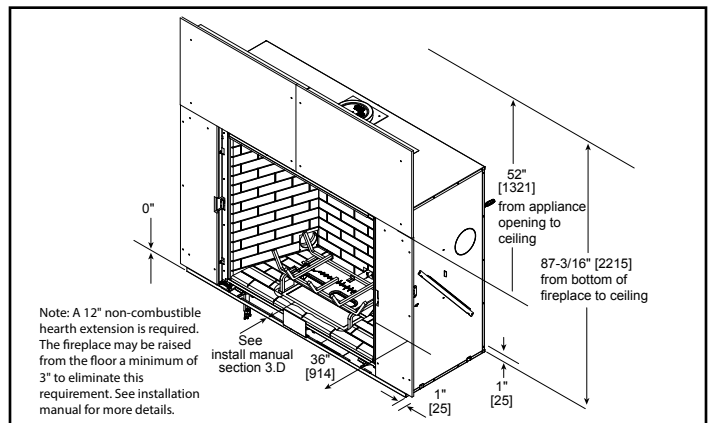
**MANTEL PROJECTIONS**



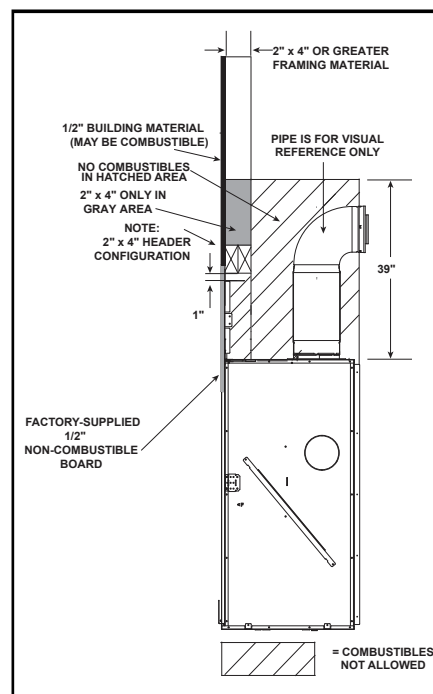
**FRAMING DIMENSIONS**



**CLEARANCES TO COMBUSTIBLES**



**NON-COMBUSTIBLE ZONE**



| PRODUCT LISTING CODES |                  |
|-----------------------|------------------|
| US                    | ANSI Z21.88-2009 |
| CAN                   | CSA 2.33-2009    |
|                       | UL307B           |

Product information provided is not complete and is subject to change without notice. Product installation must adhere strictly to instructions accompanying product to avoid risk of fire and potential injury.