

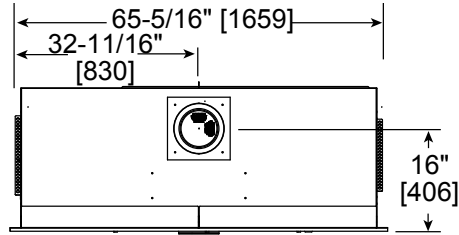


Please consult the manufacturer's installation manual for all details and requirements before making a final design layout decision.

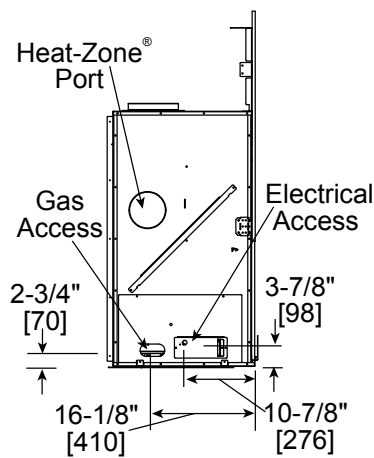
LUX
42" Direct Vent Gas Fireplace

MODEL	FRONT WIDTH		BACK WIDTH		HEIGHT		DEPTH		GLASS SIZE
	Actual	Framing	Actual	Framing	Actual	Framing	Actual	Framing	
LUX42	67	65-9/16	65-5/16	65-9/16	62-5/8	61	24	24	41-7/8 x 36-1/16

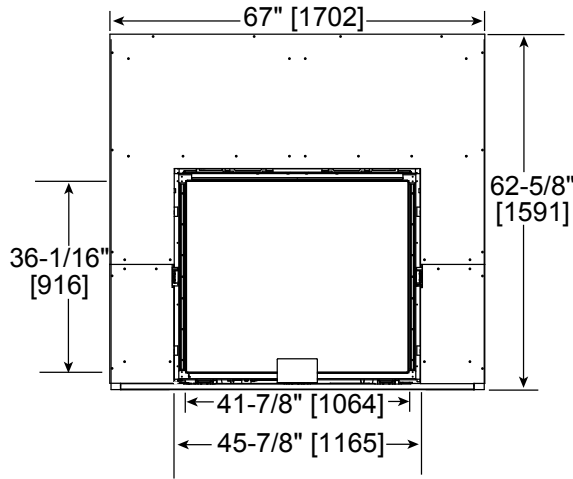
Unit Dimensions



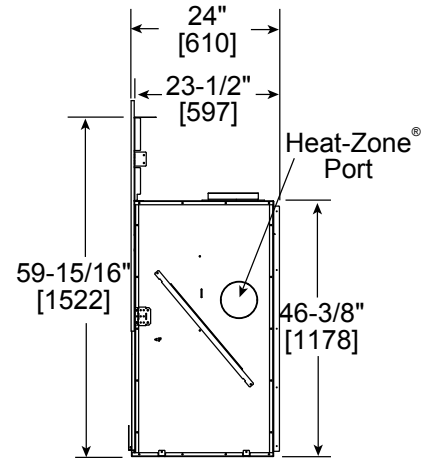
Top



Left

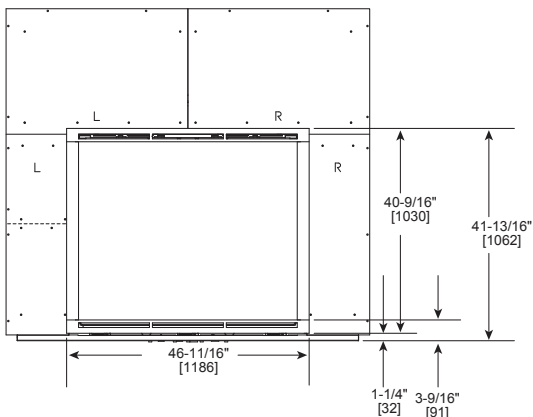


Front

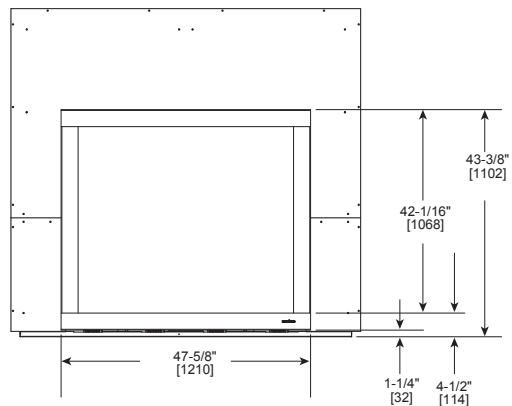


Right

Front Dimensions

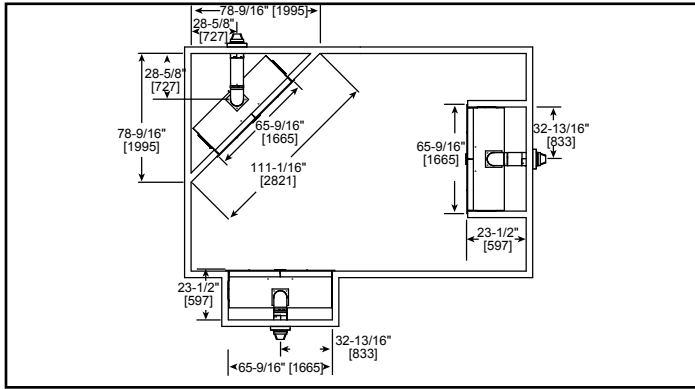


Firescreen

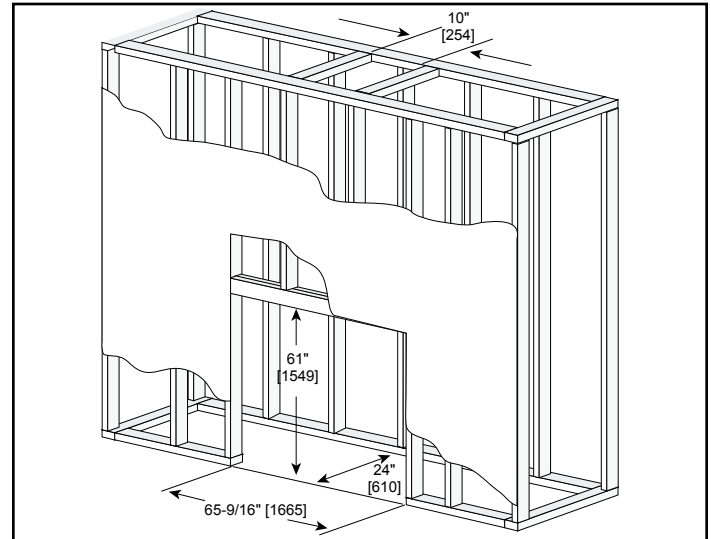


Modern

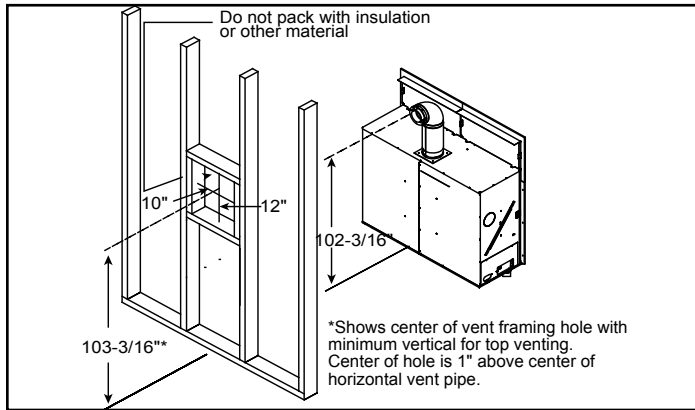
APPLIANCE LOCATION



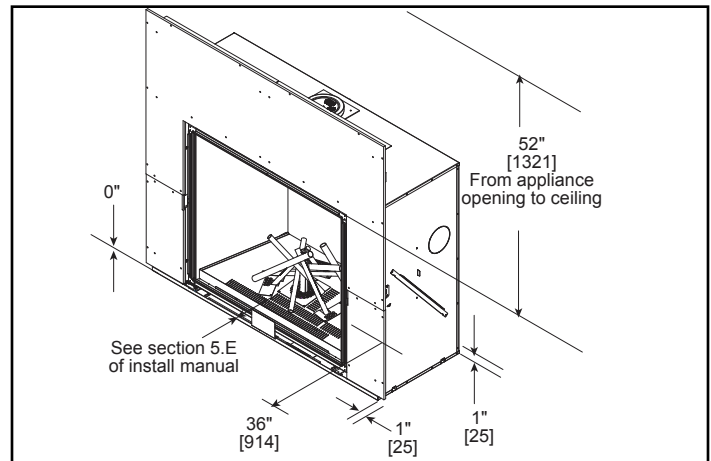
FRAMING DIMENSION



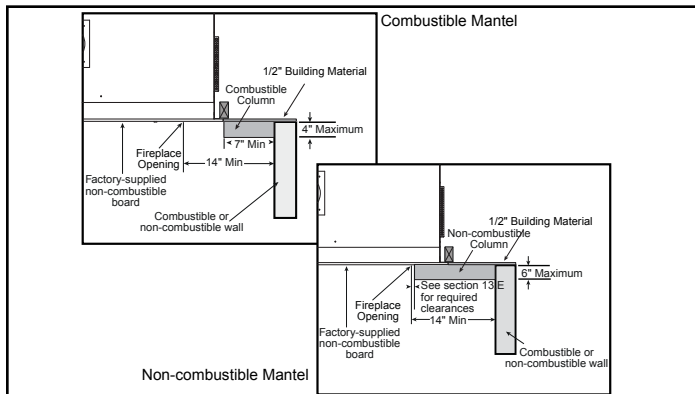
WALL PENETRATION



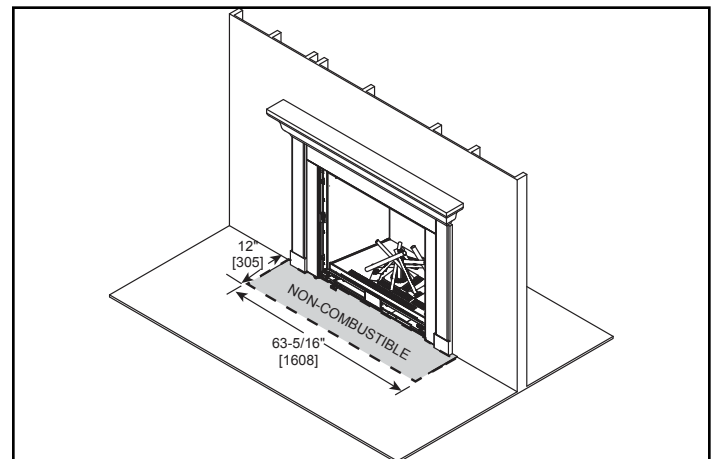
CLEARANCES TO COMBUSTIBLES



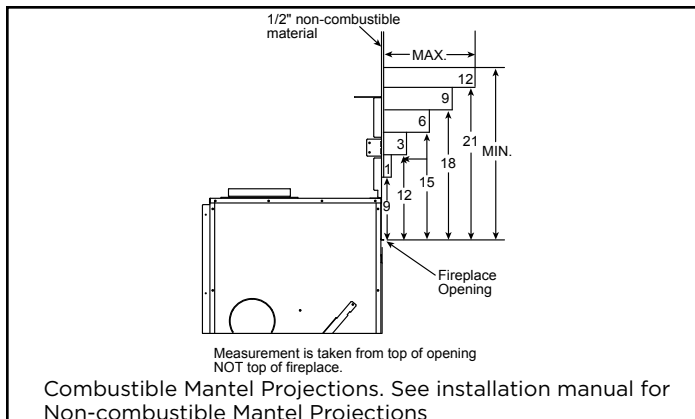
MANTEL LEG/WALL PROJECTIONS



HEARTH EXTENSION



MANTEL PROJECTIONS



PRODUCT LISTING CODES	
US	ANSI Z21.88b-2009
CAN	CSA 2.33a-2009
	UL307B

Product information provided is not complete and is subject to change without notice. Product installation must adhere strictly to instructions accompanying product to avoid risk of fire and potential injury.

Additional information can be found online at www.heatnglo.com