

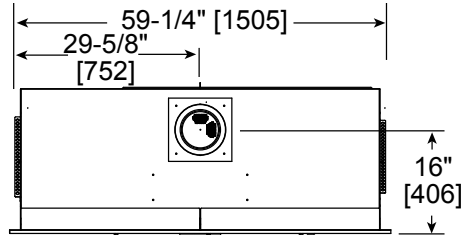


Please consult the manufacturer's installation manual for all details and requirements before making a final design layout decision.

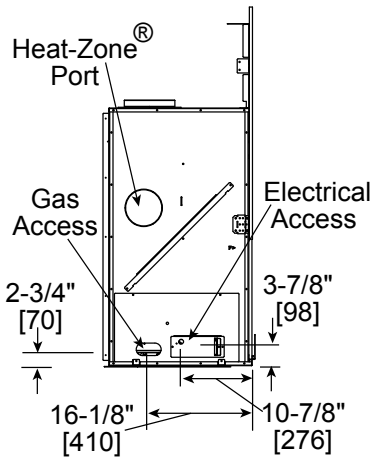
LUX
36" Direct Vent Gas Fireplace

MODEL	FRONT WIDTH		BACK WIDTH		HEIGHT		DEPTH		GLASS SIZE
	Actual	Framing	Actual	Framing	Actual	Framing	Actual	Framing	
LUX36	61	59-1/2	59-1/4	59-1/2	57-5/8	56	24	24	35-7/8 x 31-1/16

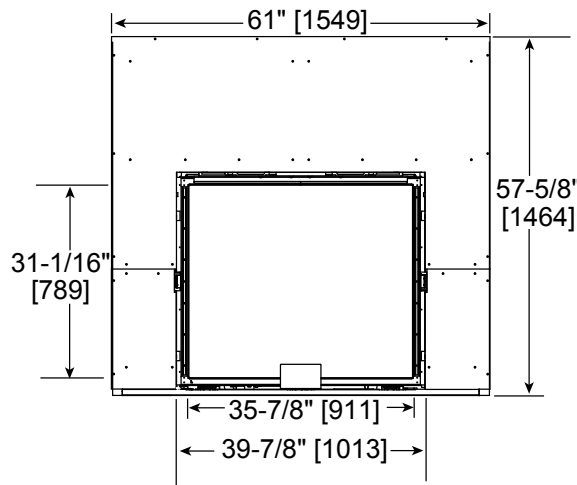
Unit Dimensions



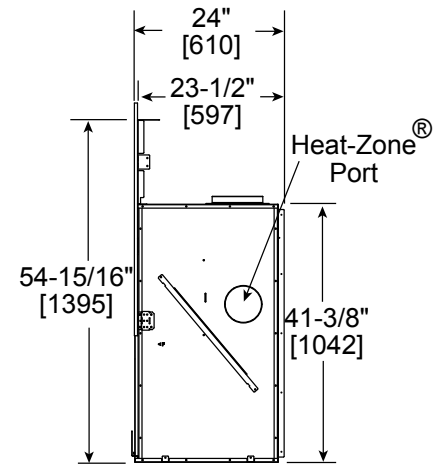
Top



Left

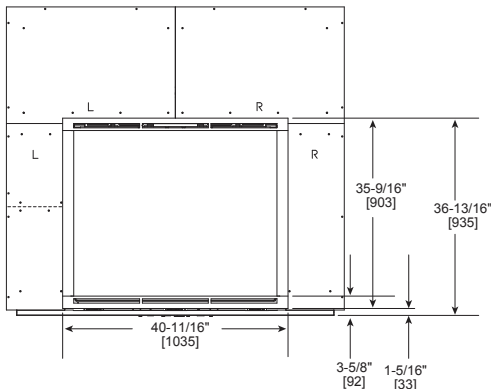


Front

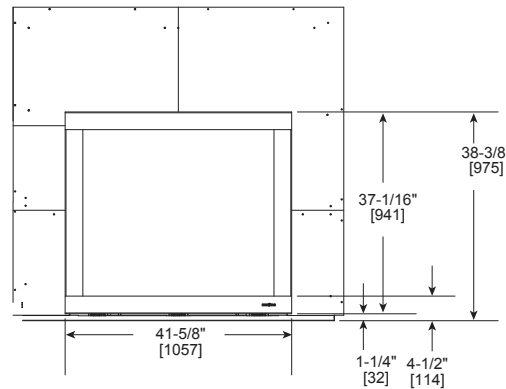


Right

Front Dimensions

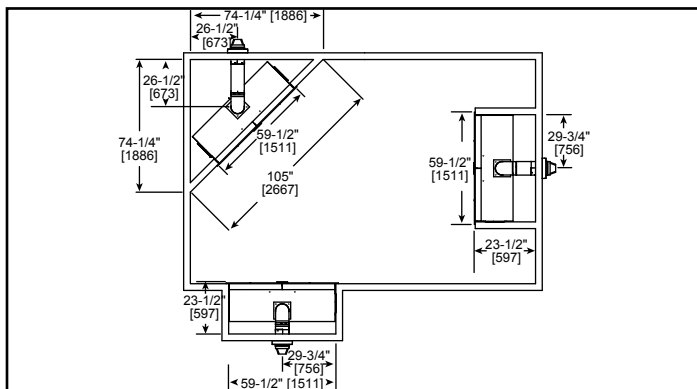


Firescreen

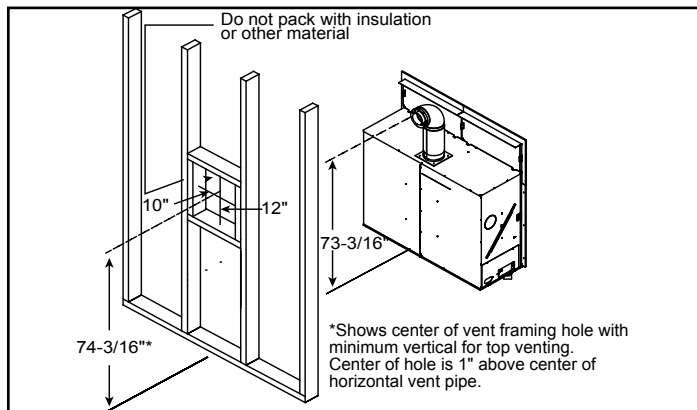


Modern

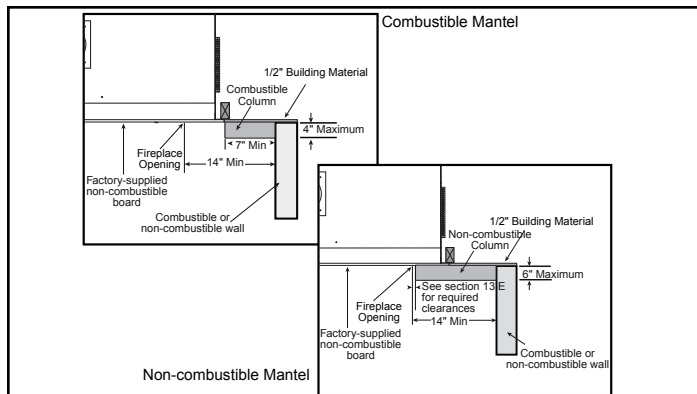
APPLIANCE LOCATION



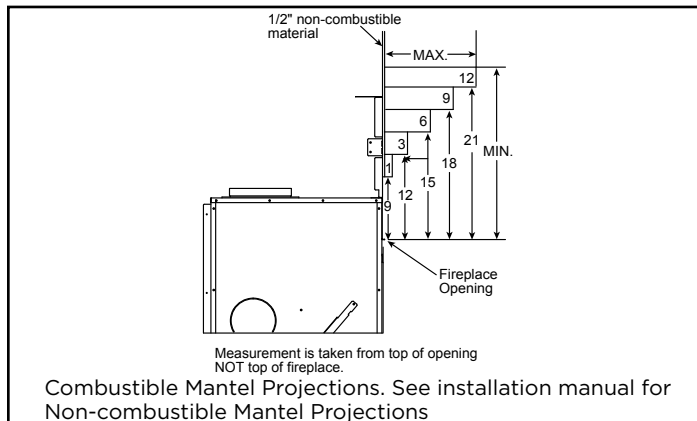
WALL PENETRATION



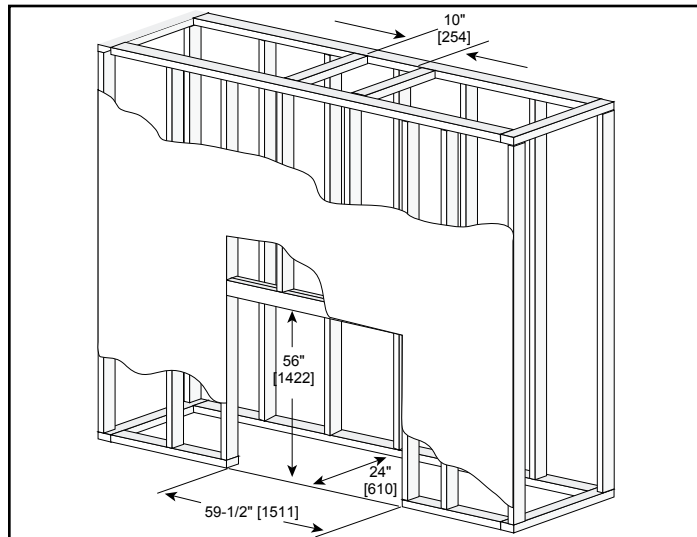
MANTEL LEG/WALL PROJECTIONS



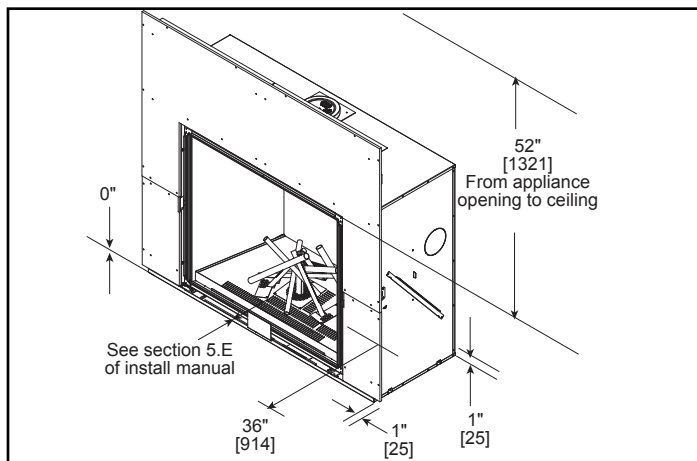
MANTEL PROJECTIONS



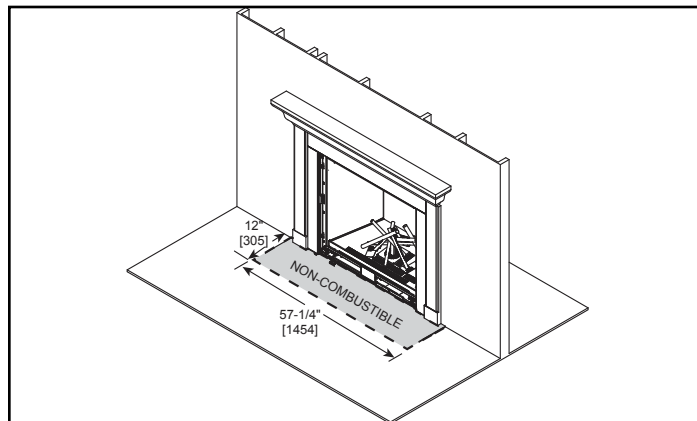
FRAMING DIMENSION



CLEARANCES TO COMBUSTIBLES



HEARTH EXTENSION



PRODUCT LISTING CODES	
US	ANSI Z21.88b-2009
CAN	CSA 2.33a-2009
US LISTED	UL307B

Product information provided is not complete and is subject to change without notice. Product installation must adhere strictly to instructions accompanying product to avoid risk of fire and potential injury.

Additional information can be found online at www.heatnglo.com