



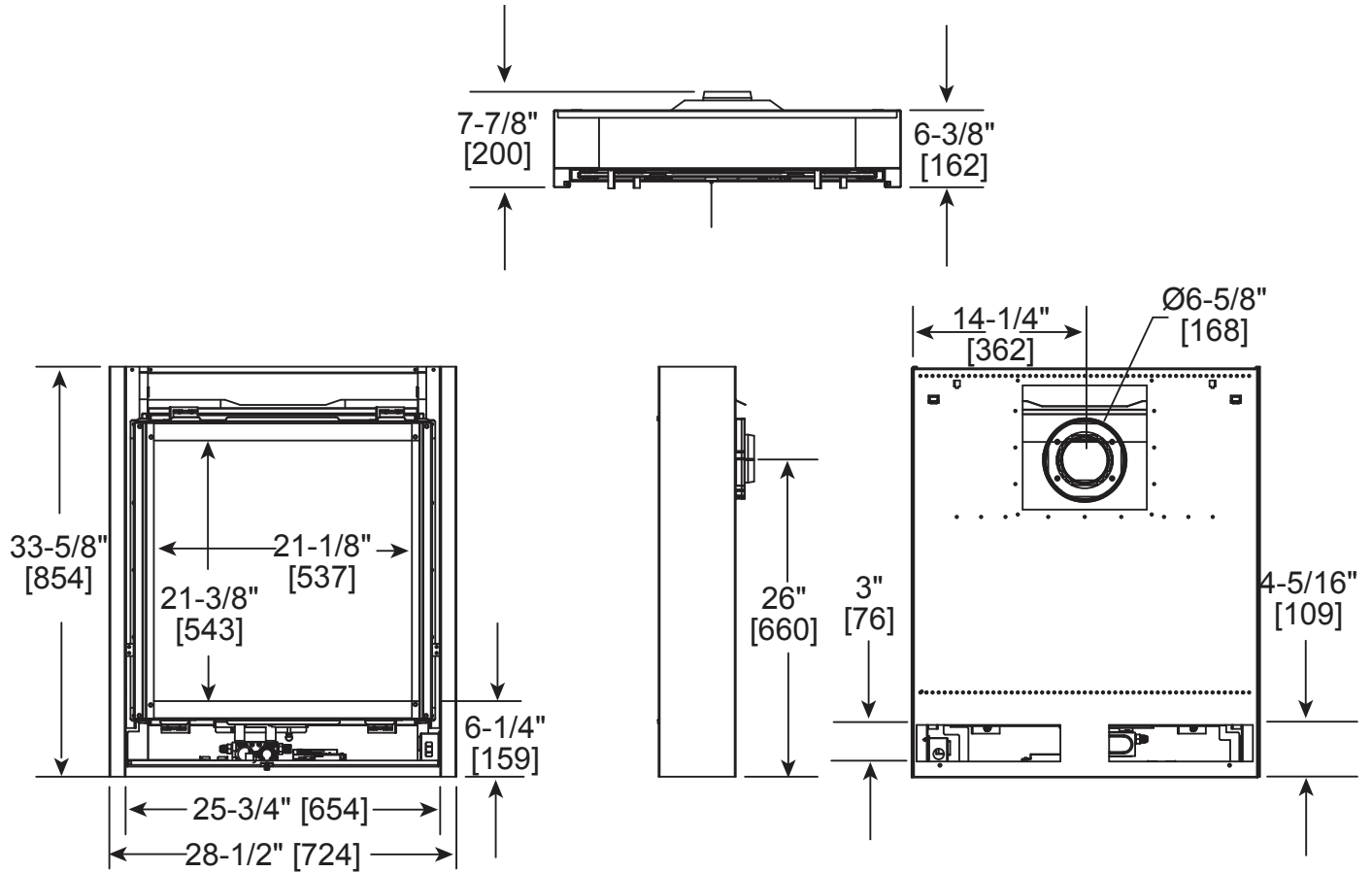
Please consult the manufacturer's installation manual for all details and requirements before making a final design layout decision.

# Ion ION-S7

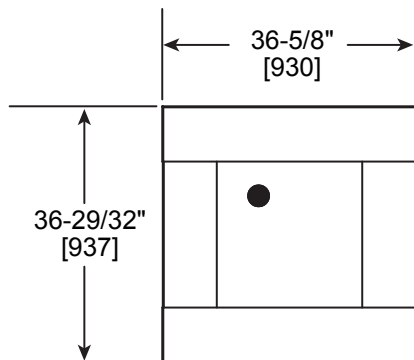
Direct Vent Gas Fireplace

MODEL	FRONT WIDTH		BACK WIDTH		HEIGHT		DEPTH		VIEWING AREA
	Actual	Framing	Actual	Framing	Actual	Framing	Actual	Framing	
ION-S7	28-1/2	29-3/8	28-1/2	29-3/8	33-5/8	40-1/2	6-3/8	2-5/8	21-1/8 x 21-3/8

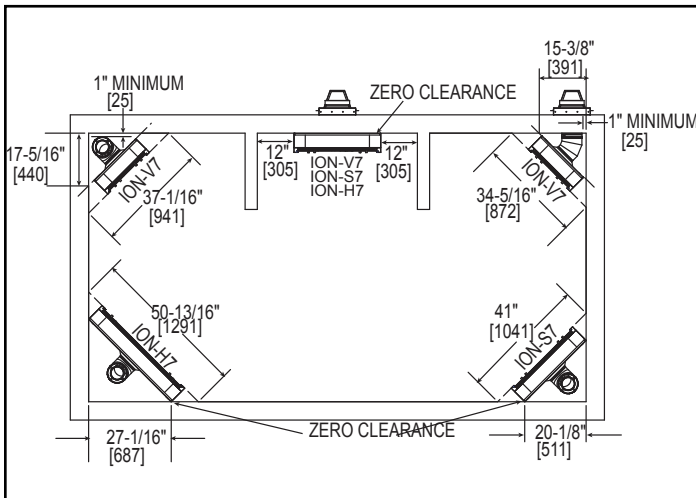
## ION-S7 UNIT



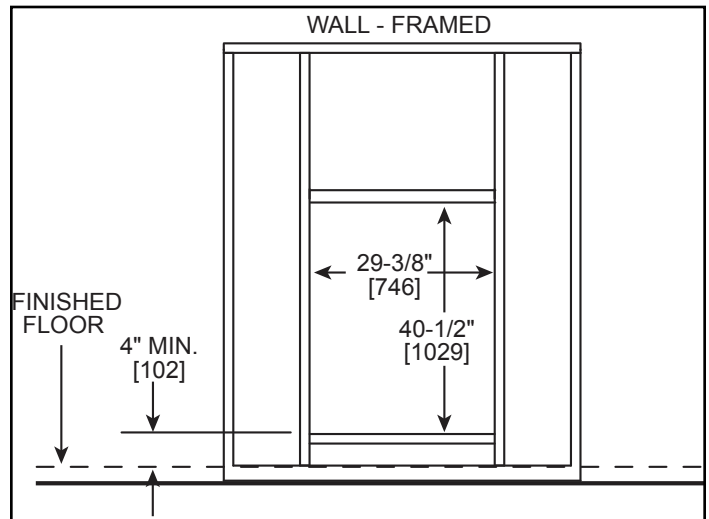
## FOUR SQUARE FRONT



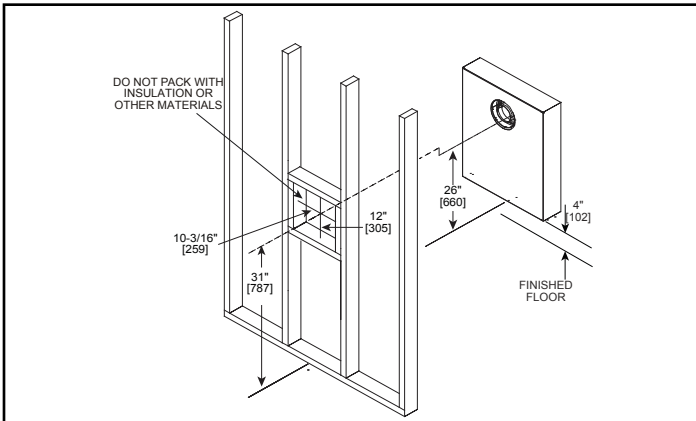
**APPLIANCE LOCATION**



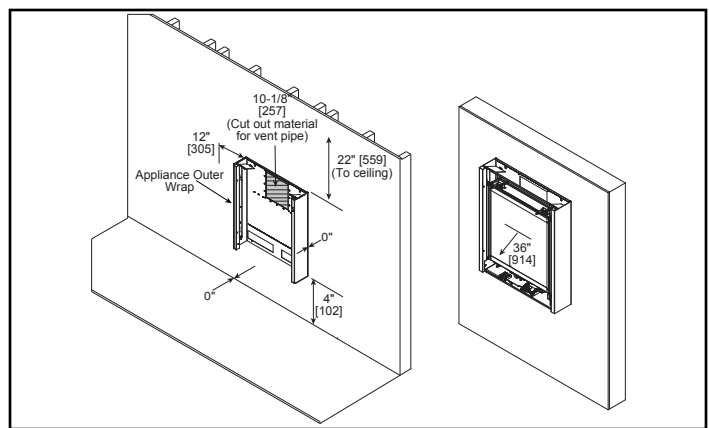
**FRAMING DIMENSIONS**



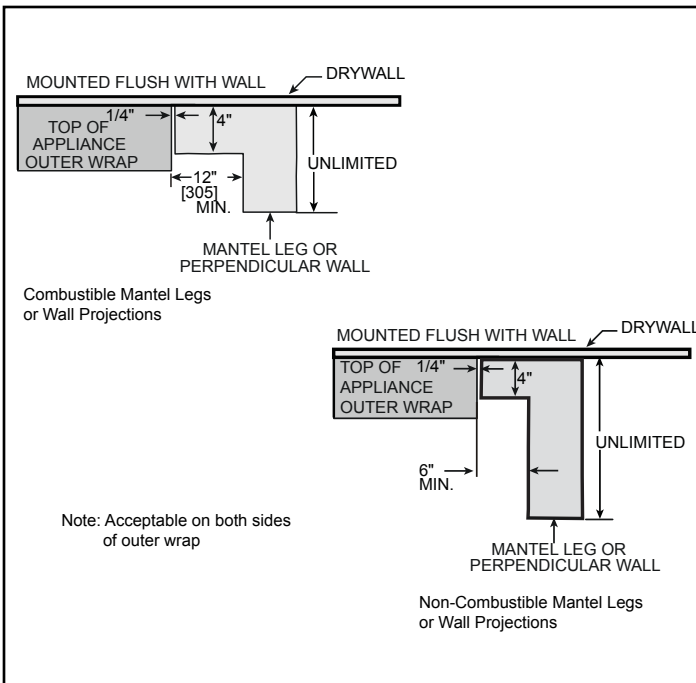
**WALL PENETRATION**



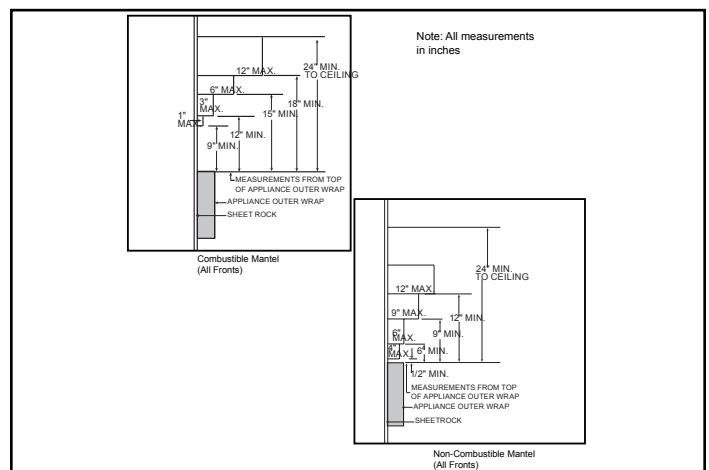
**CLEARANCES TO COMBUSTIBLES**



**MANTEL LEG/WALL PROJECTIONS**



**MANTEL PROJECTIONS**



PRODUCT LISTING CODES	
US	ANSI Z21.88-2014
CAN	CSA 2.33-2014
US LISTED	UL307B

Product information provided is not complete and is subject to change without notice. Product installation must adhere strictly to instructions accompanying product to avoid risk of fire and potential injury.

Additional information can be found online at [www.heatilator.com](http://www.heatilator.com)