

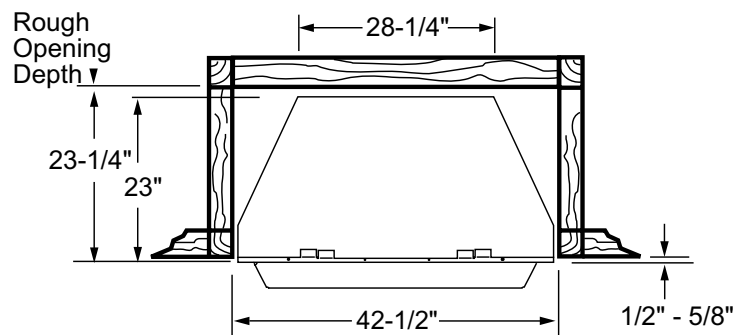
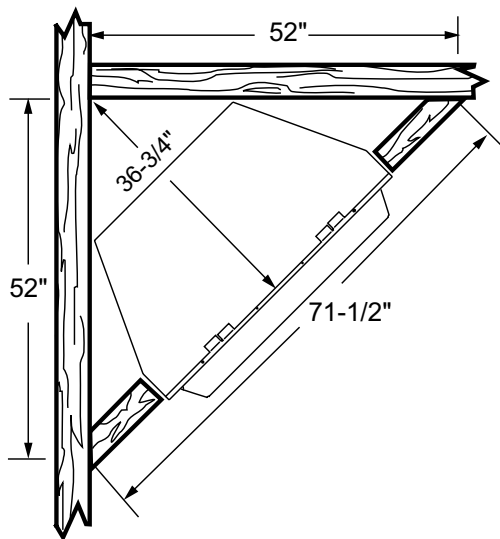
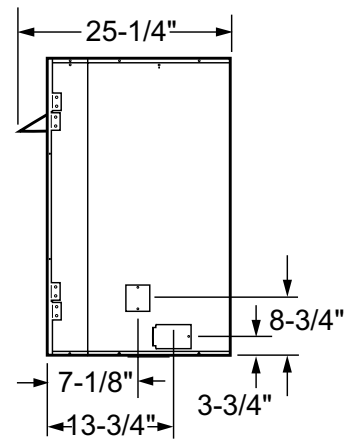
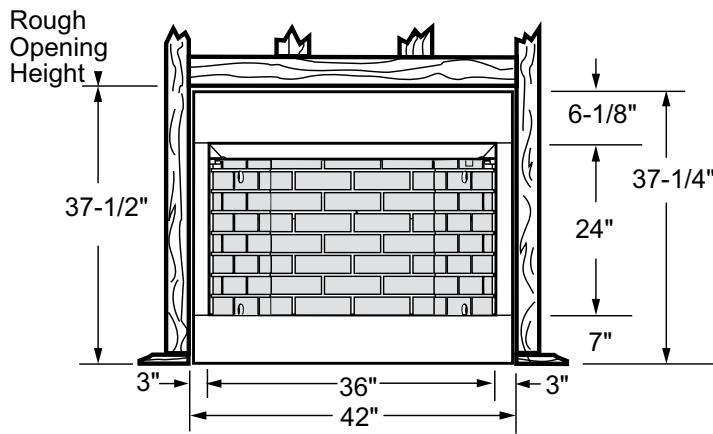


LOVE AT FIRST LIGHT

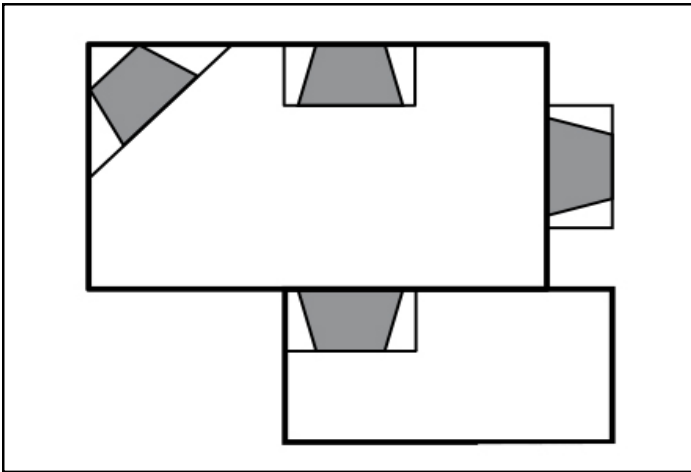
Please consult the manufacturer's installation manual for all details and requirements before making a final design layout decision.

Exacta 36"  
Vent Free Gas Firebox

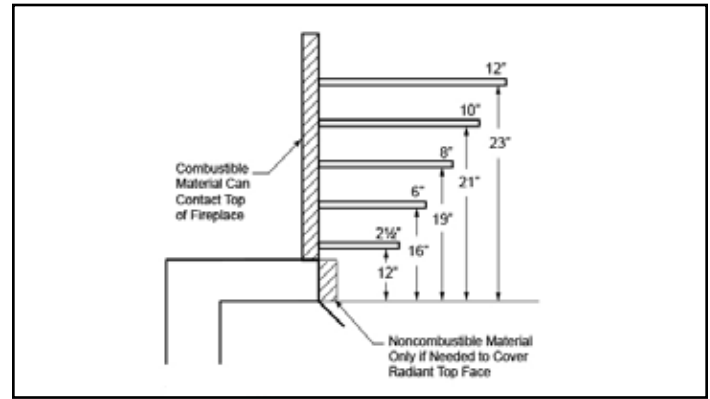
MODEL	FRONT WIDTH		BACK WIDTH		HEIGHT		DEPTH		VIEWING AREA
	Actual	Framing	Actual	Framing	Actual	Framing	Actual	Framing	
BUF36-R	42"	42-1/2"	28-1/4"	42-1/2"	37-1/4"	37-1/2"	23"	23-1/4"	36" x 24"



APPLIANCE LOCATION

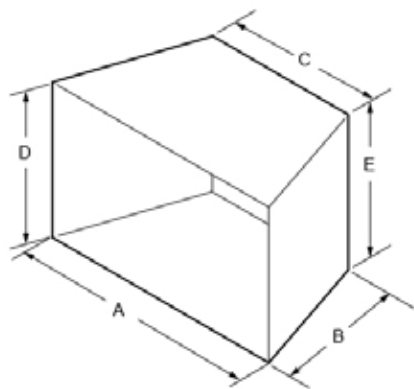


MANTEL CLEARANCES

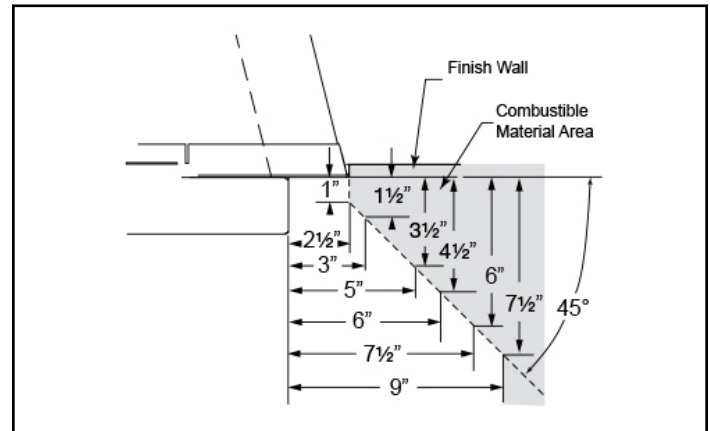


MINIMUM HEARTH DIMENSIONS

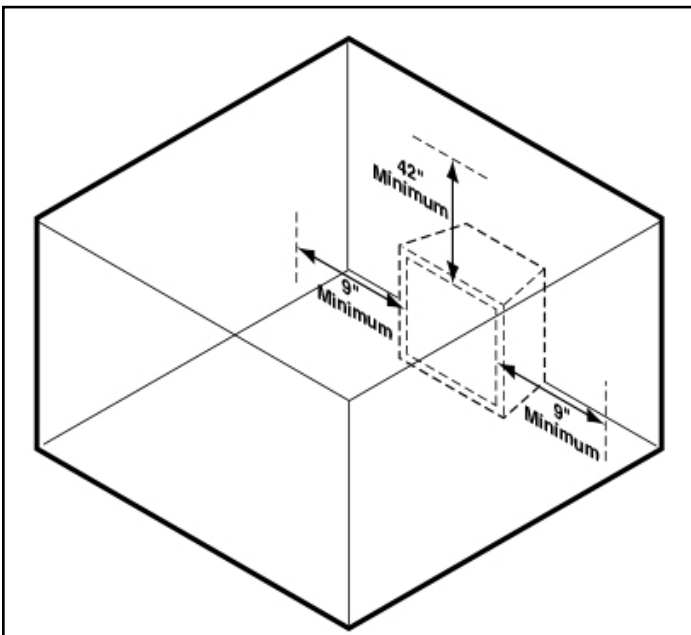
A	33-3/4"
B	17-7/8"
C	25-3/4"
D	21-3/4"
E	20-3/8"




MANTEL LEG CLEARANCES



CLEARANCES AND HEIGHT REQUIREMENTS



PRODUCT LISTING CODES	
US	ANSI Z223.1 / NFPA54 ANSI Z21.11
	CSA Design Certified

Product information provided is not complete and is subject to change without notice. Product installation must adhere strictly to instructions accompanying product to avoid risk of fire and potential injury.

Additional information can be found online at [www.monessenhearth.com](http://www.monessenhearth.com)



LOVE AT FIRST LIGHT

(877) 863-4350 | [monessenhearth.com](http://monessenhearth.com)