

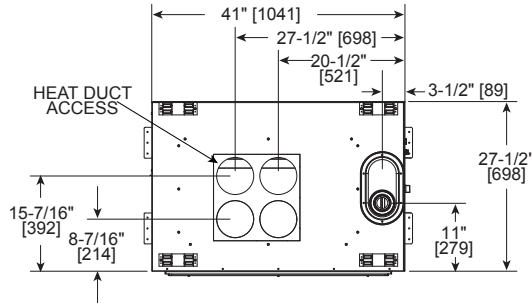


Please consult the manufacturer's installation manual for all details and requirements before making a final design layout decision.

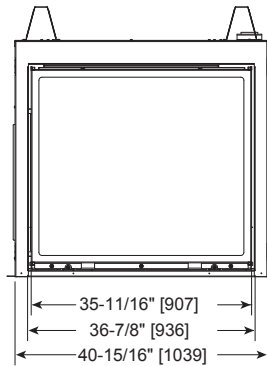
# Energy Pro

36" Direct Vent Gas Fireplace

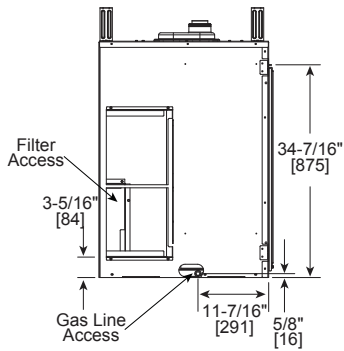
MODEL	FRONT WIDTH		BACK WIDTH		HEIGHT		DEPTH		GLASS SIZE
	Actual	Framing	Actual	Framing	Actual	Framing	Actual	Framing	
HE36CLX-S	40-15/16	42	41	42	43-11/16	44	27-1/2	28	33-3/16 x 28-7/8



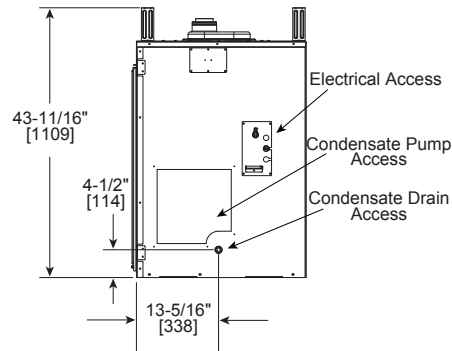
Top View



Front View

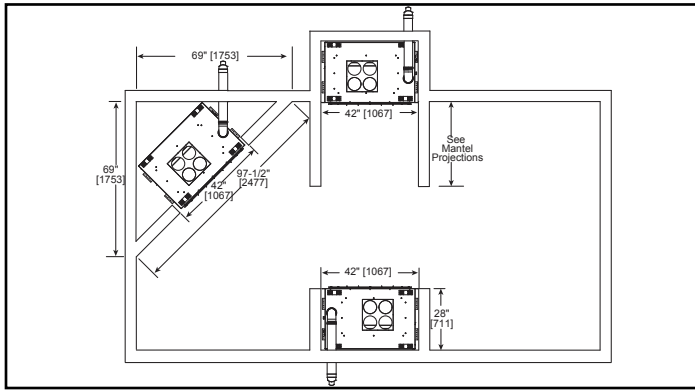


Left View

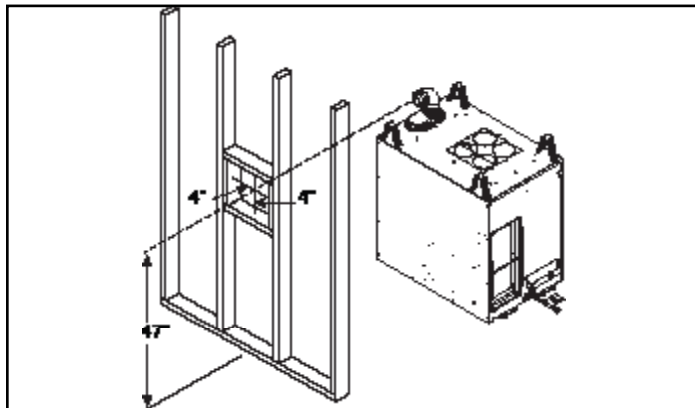


Right View

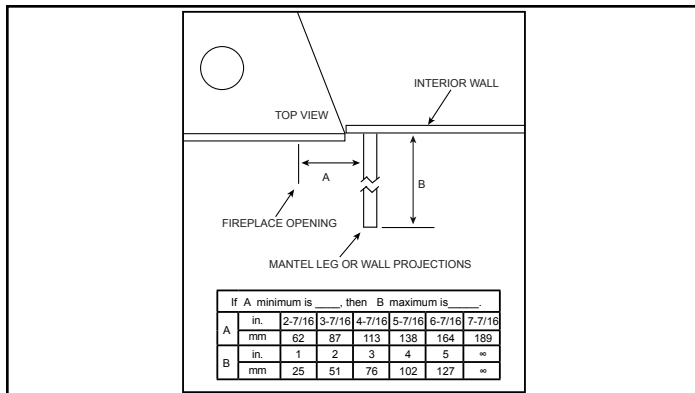
APPLIANCE LOCATION



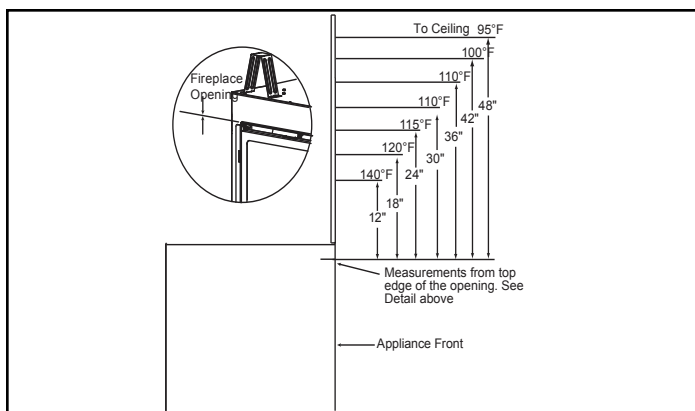
WALL PENETRATION



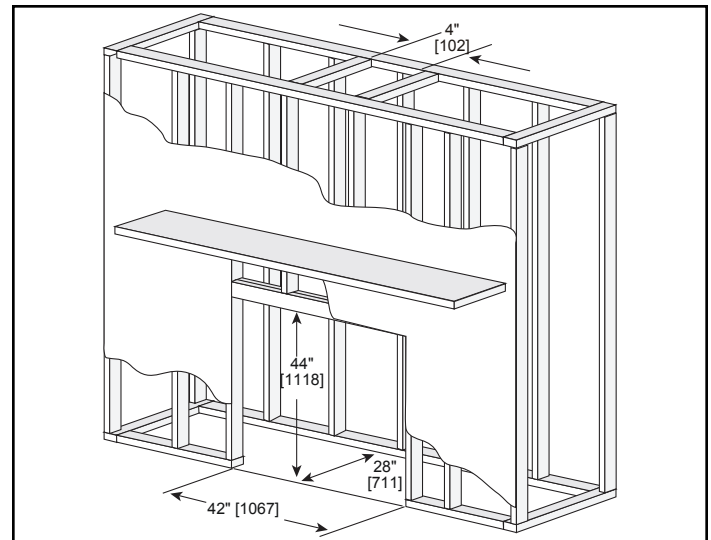
MANTEL LEG/WALL PROJECTIONS



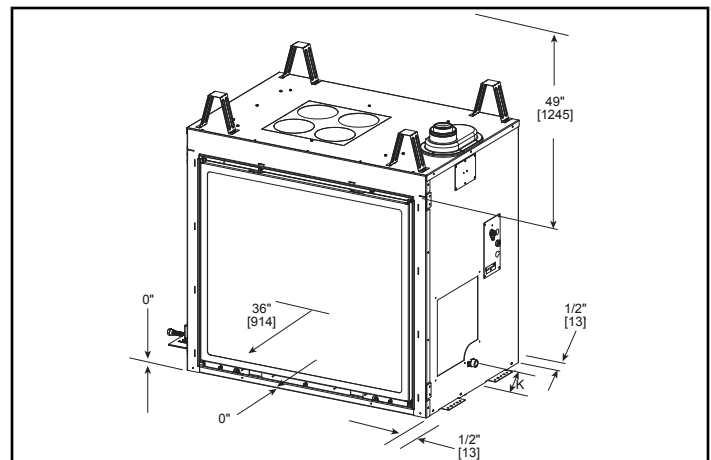
WALL TEMPERATURES



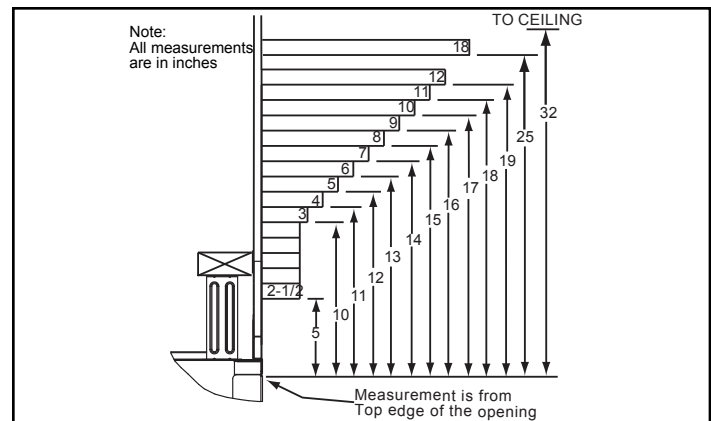
FRAMING DIMENSION



CLEARANCES TO COMBUSTIBLES



MANTEL PROJECTIONS



PRODUCT LISTING CODES	
Direct Vent Gas Fireplace	
US	ANSI Z21.88-2014
CAN	CSA 2.33-2014
Gas-Fired Central Furnace	
US	ANSI Z21.47-2006; Addenda's ANSI Z21.47A-2007 & ANSI Z21.47B-2008
CAN	CSA 2.3-2006; Addenda's CSA 2.3A-2007 & CSA 2.3b-2008

Product information provided is not complete and is subject to change without notice. Product installation must adhere strictly to instructions accompanying product to avoid risk of fire and potential injury.

Additional information can be found online at [www.heatnglo.com](http://www.heatnglo.com)