

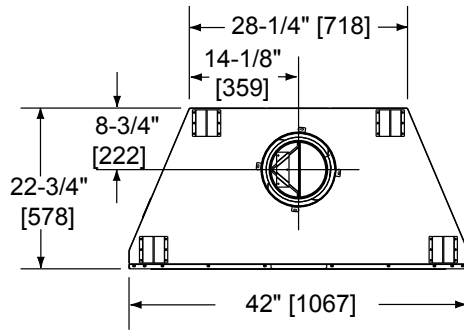


Please consult the manufacturer's installation manual for all details and requirements before making a final design layout decision.

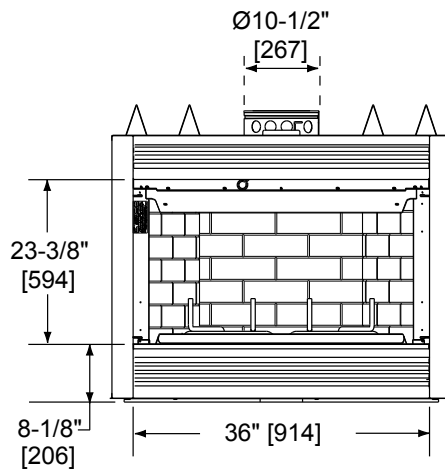
# Energy Master

## 36" Wood-burning Fireplace

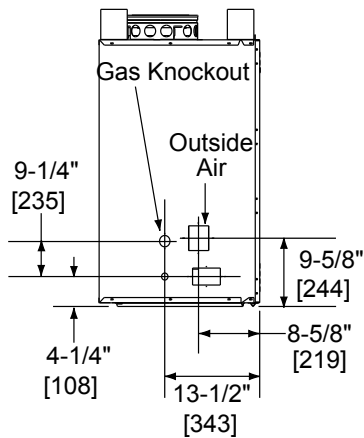
MODEL	FRONT WIDTH		BACK WIDTH		HEIGHT		DEPTH		FIREBOX OPENING
	Actual	Framing	Actual	Framing	Actual	Framing	Actual	Framing	
EM-415	42	43	28-1/4	43	41-1/4	41-1/2	22-3/4	23	36 x 23-3/8



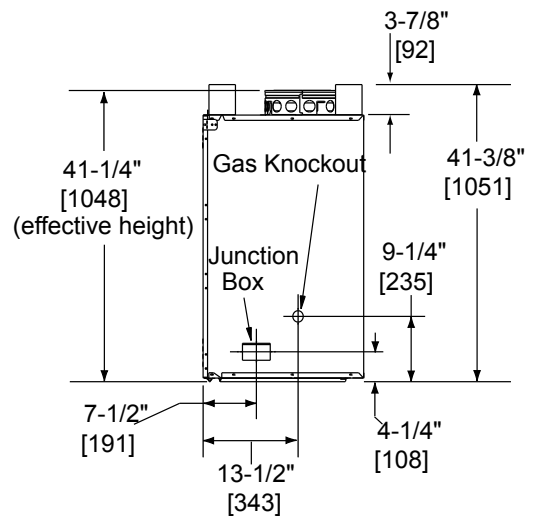
Top View



Front View

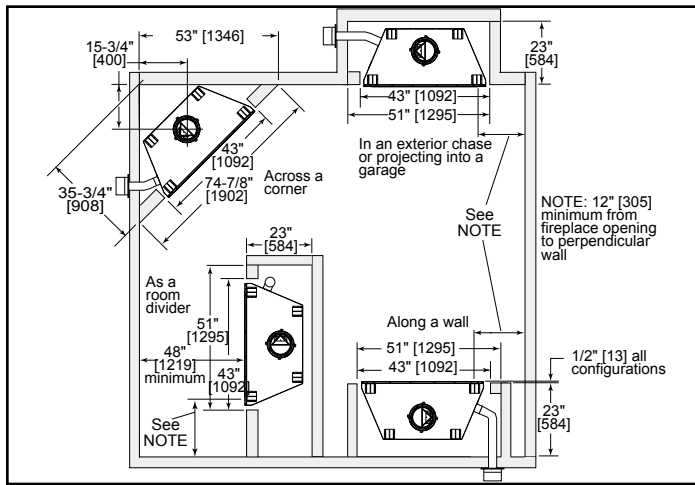


Left Side View

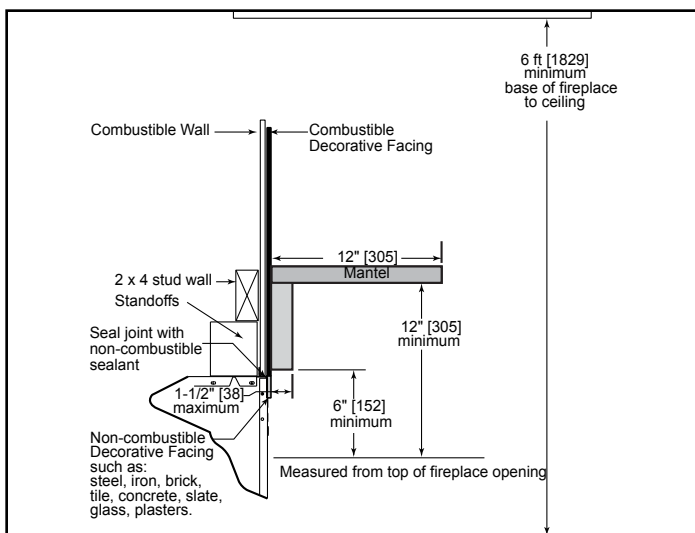


Right Side View

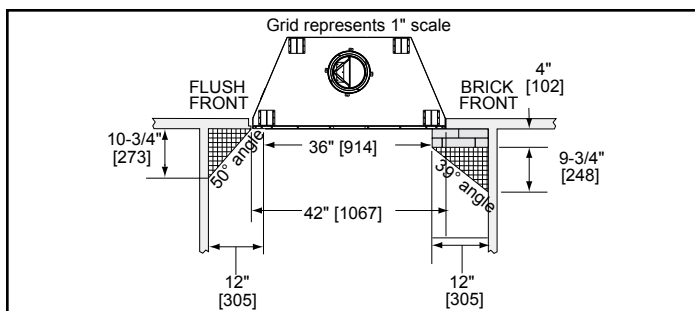
### APPLIANCE LOCATION



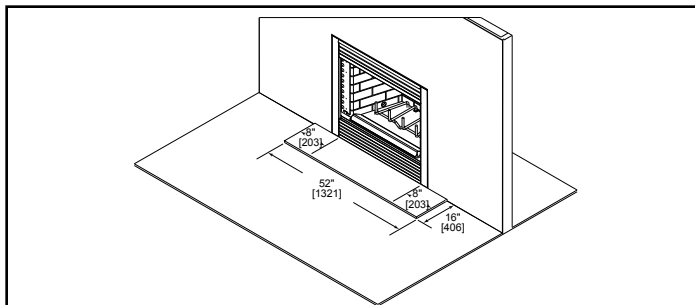
### MANTEL PROJECTIONS



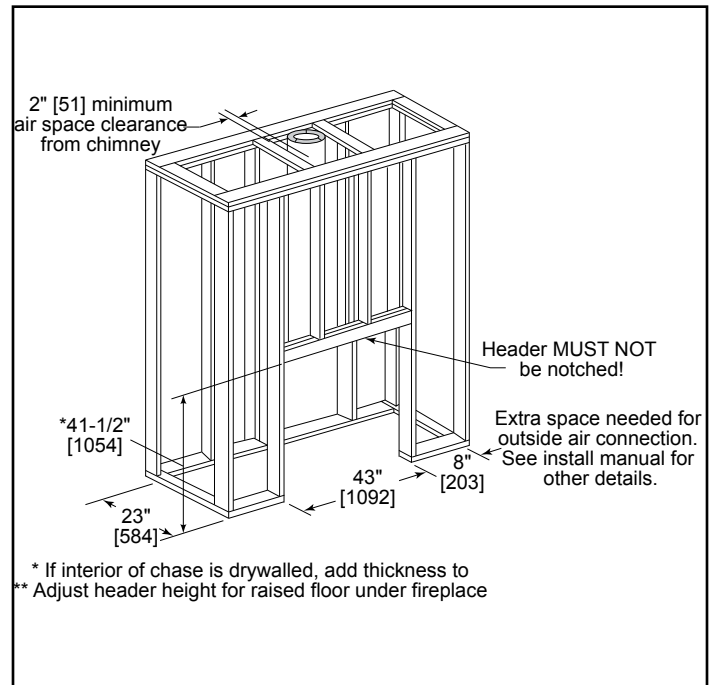
### MANTEL LEG/WALL PROJECTIONS



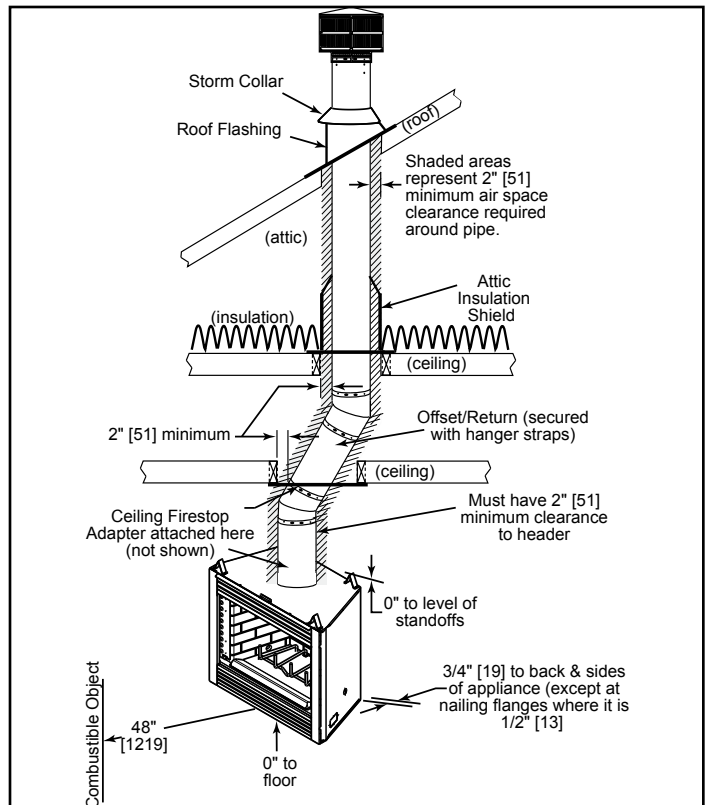
### HEARTH EXTENSIONS



### FRAMING DIMENSIONS



### CLEARANCE TO COMBUSTIBLES



PRODUCT LISTING CODES	
US	UL 127
CAN	ULC-S610

Product information provided is not complete and is subject to change without notice. Product installation must adhere strictly to instructions accompanying product to avoid risk of fire and potential injury.

Additional information can be found online at [www.heatnglo.com](http://www.heatnglo.com)