

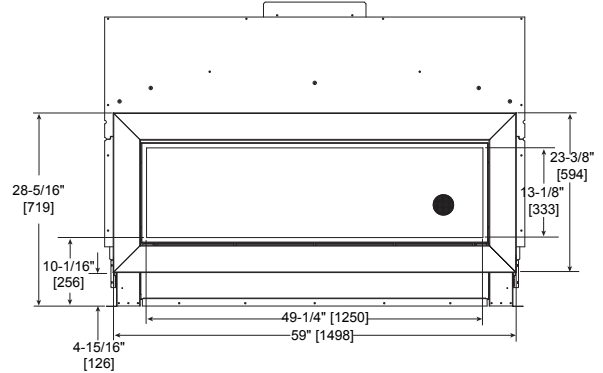
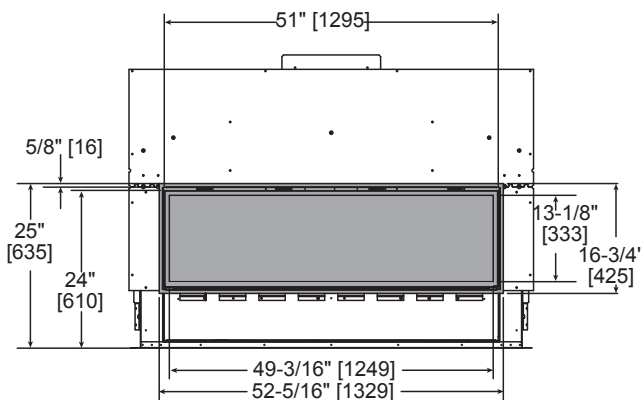
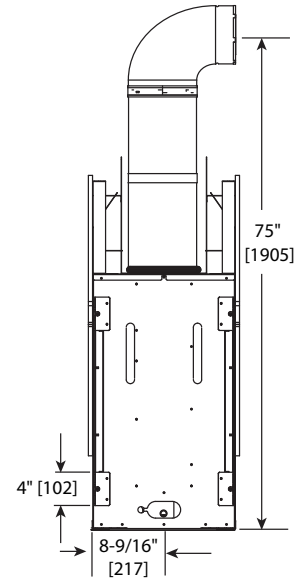
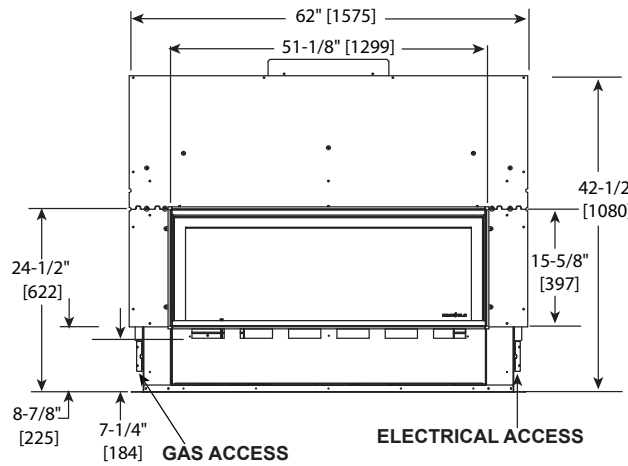
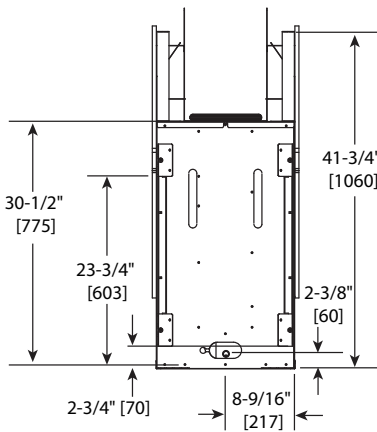
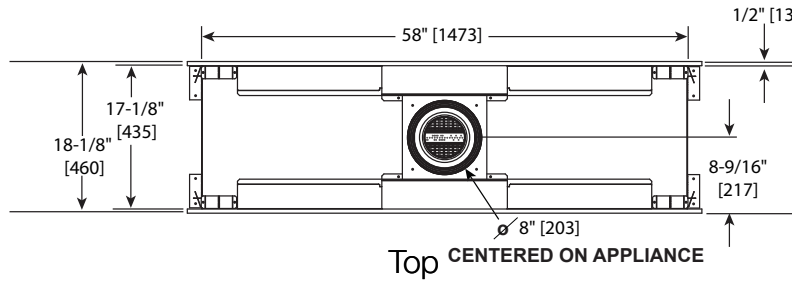


Please consult the manufacturer's installation manual for all details and requirements before making a final design layout decision.

ECHEL48STIN

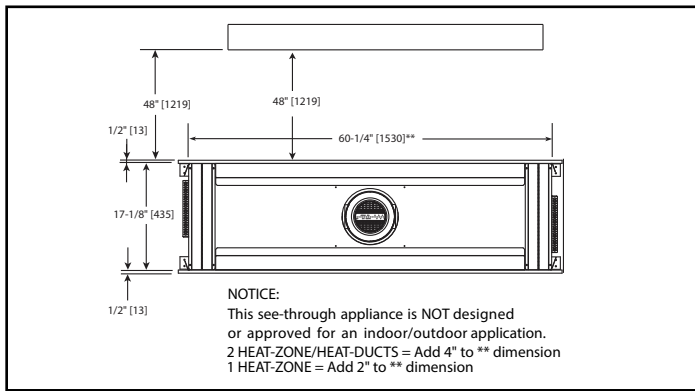
48" Direct Vent See-Through Gas Fireplace

MODEL	FRONT WIDTH		BACK WIDTH		HEIGHT		DEPTH		GLASS SIZE
	Actual	Framing	Actual	Framing	Actual	Framing	Actual	Framing	
ECHEL48STIN	58"	60-1/4"	58"	60-1/4"	41-3/4"	42"	17-1/8"	17"	47-1/2" x 12-1/2"

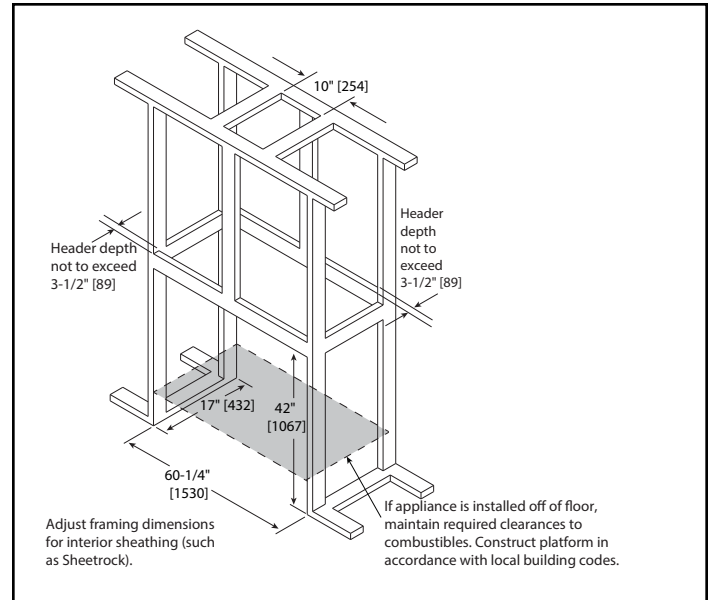


The PFF decorative front has an installed depth of 3/4" [19mm], measured from the front of the non-combustible finishing material to the front of the decorative front.

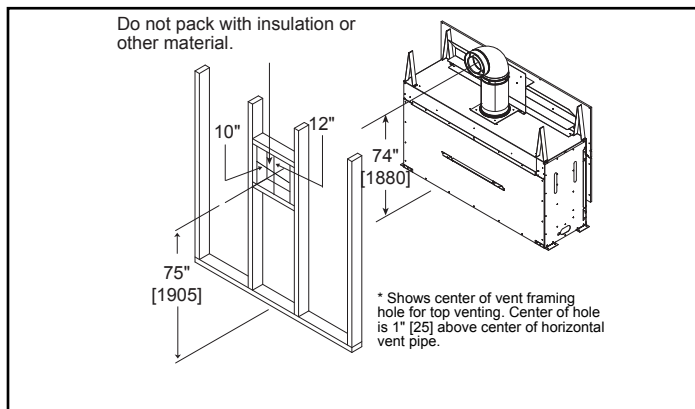
APPLIANCE LOCATION



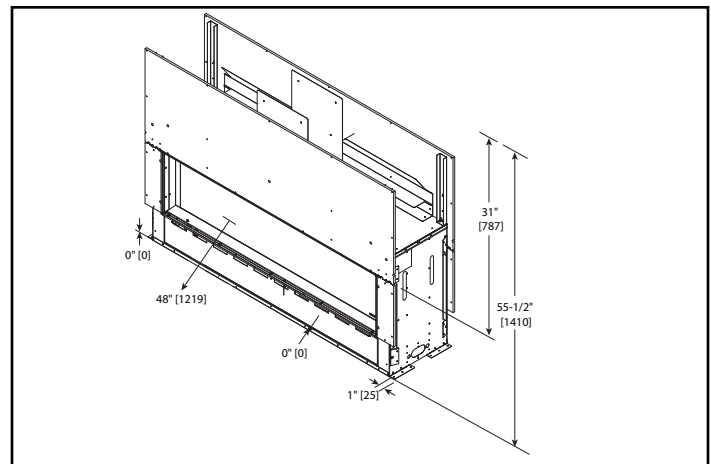
FRAMING DIMENSION



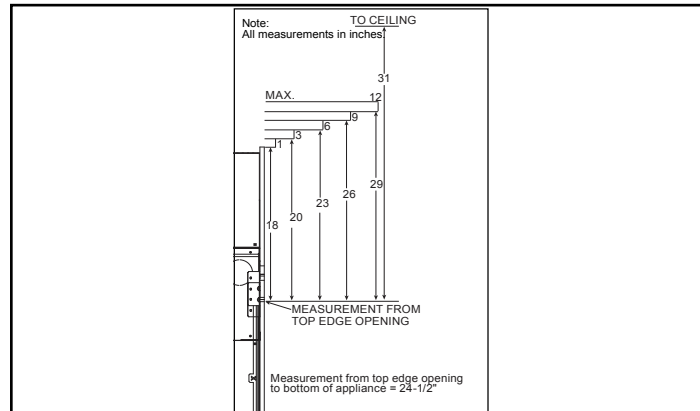
WALL PENETRATION



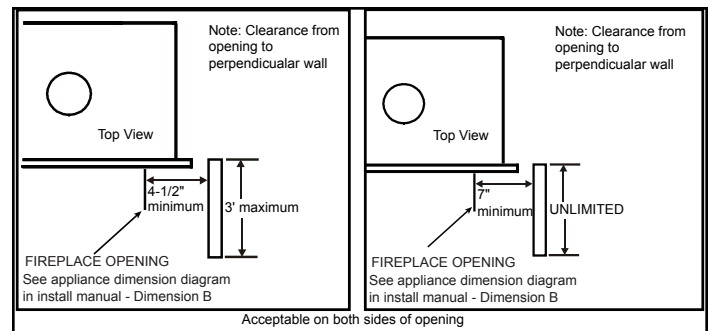
CLEARANCES TO COMBUSTIBLES



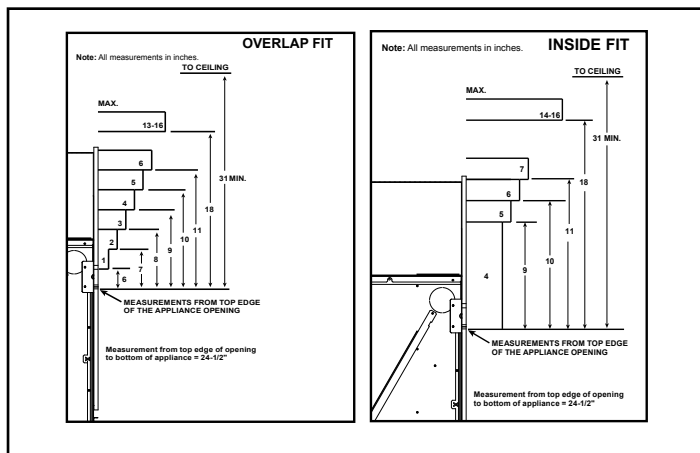
MANTLE PROJECTIONS - COMBUSTIBLE



MANTLE LEG/WALL PROJECTIONS COMBUSTIBLE OR NON-COMBUSTIBLE



MANTLE PROJECTIONS - NON-COMBUSTIBLE



PRODUCT LISTING CODES

US	ANSI Z21.88-2014
CAN	CSA 2.33-2014
	UL307B

Product information provided is not complete and is subject to change without notice. Product installation must adhere strictly to instructions accompanying product to avoid risk of fire and potential injury.

Additional information can be found online at www.majesticproducts.com