



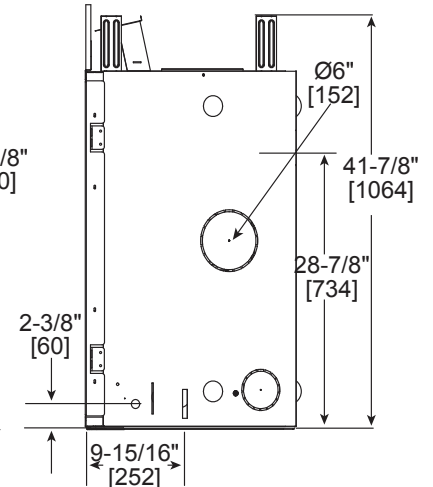
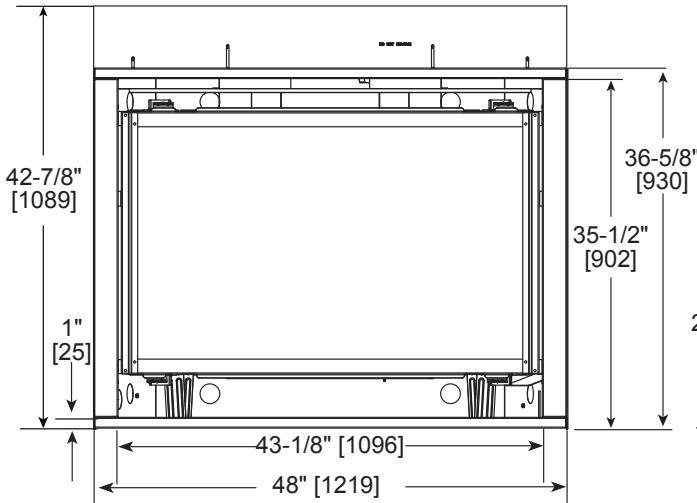
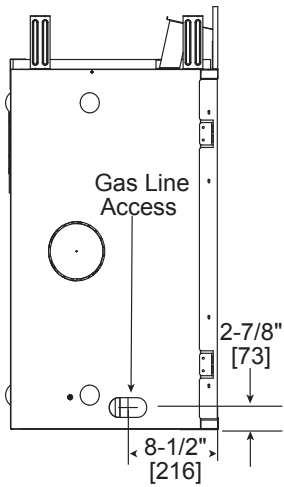
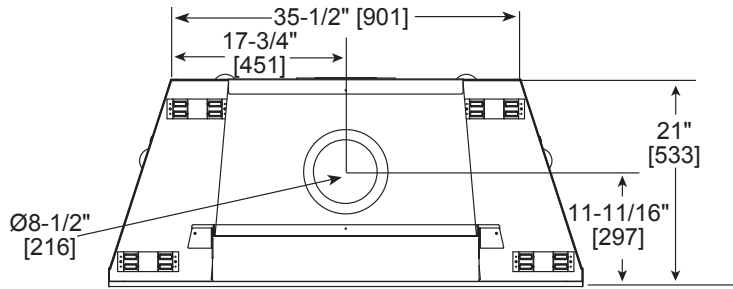
Please consult the manufacturer's installation manual for all details and requirements before making a final design layout decision.

Caliber Modern CD4842-MOD

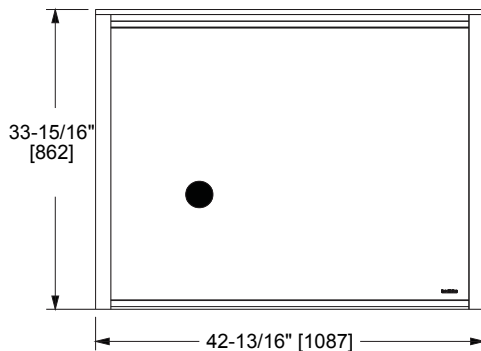
Direct Vent Gas Fireplace

| MODEL | FRONT WIDTH | | BACK WIDTH | | HEIGHT | | DEPTH | | VIEWING AREA |
|------------|-------------|---------|------------|---------|--------|---------|--------|---------|--------------|
| | Actual | Framing | Actual | Framing | Actual | Framing | Actual | Framing | |
| CD4842-MOD | 48 | 49 | 35-1/2 | 49 | 41-7/8 | 42-1/8 | 21 | 22 | 39 x 23-1/2 |

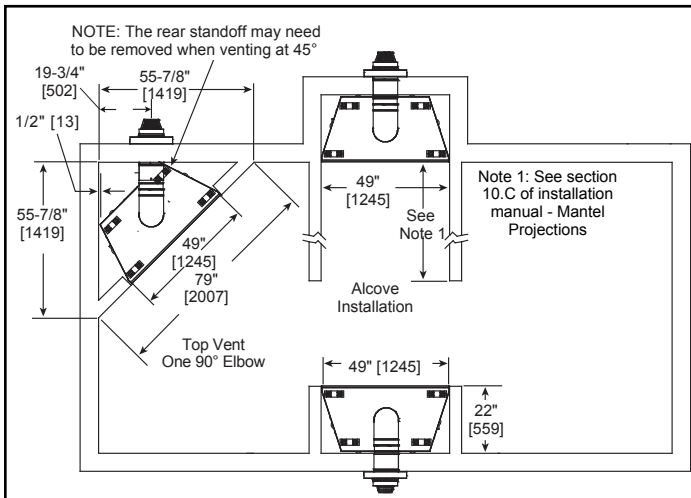
CD4842-MOD UNIT



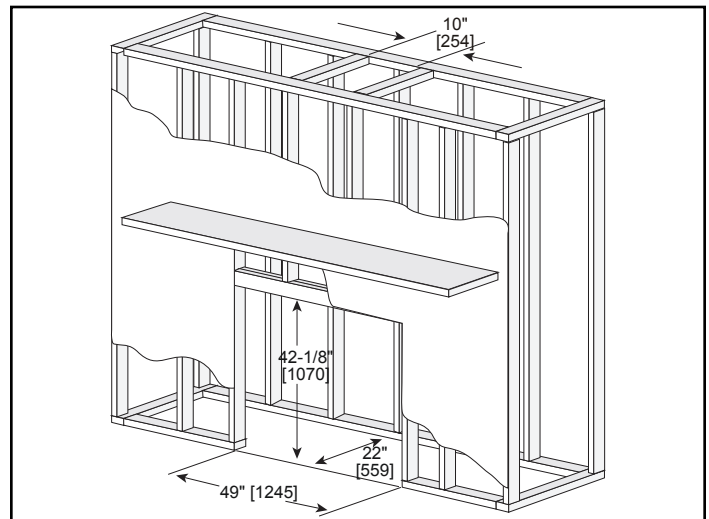
SIM-42 SIMON FRONT



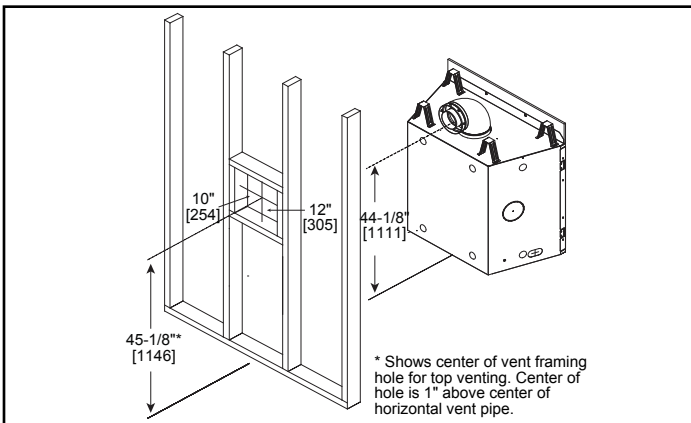
APPLIANCE LOCATION



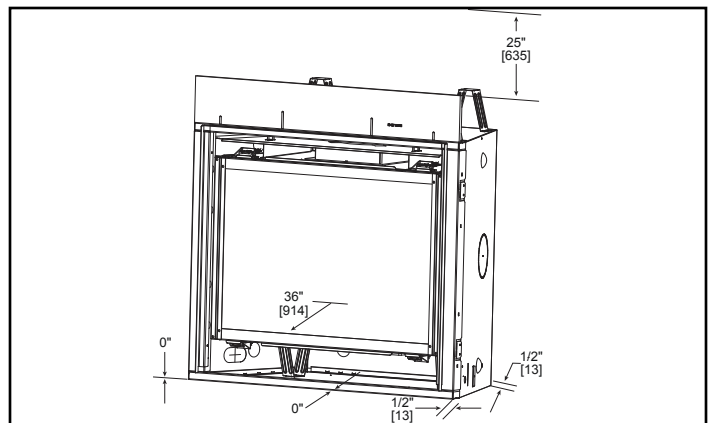
FRAMING DIMENSIONS



WALL PENETRATION



CLEARANCES TO COMBUSTIBLES



MANTEL LEG/WALL PROJECTIONS

Combustible Mantel Legs or Wall Projections

TOP VIEW

INTERIOR WALL

A

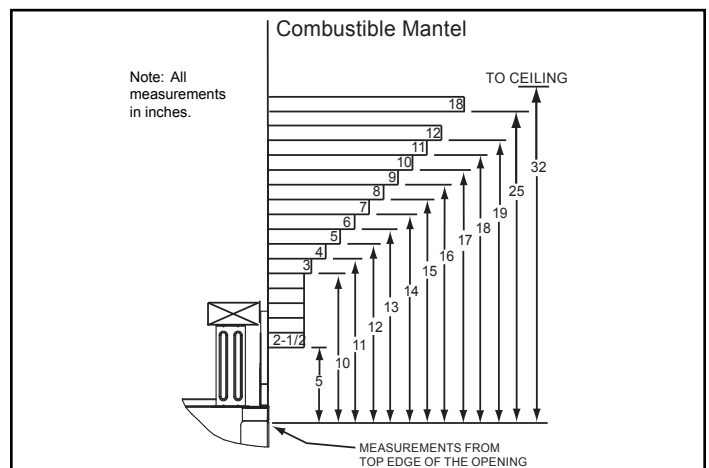
B

FIREPLACE OPENING

See Dimension B on Appliance Dimension Diagram (Figure 3.1 & 3.2 in the installation manual).

| | | If A minimum is ____, then B maximum is ____. | | | | | |
|---|-------------|---|--------|--------|--------|--------|--------|
| A | Inches | 2-7/16 | 3-7/16 | 4-7/16 | 5-7/16 | 6-7/16 | 7-7/16 |
| | Millimeters | 62 | 87 | 113 | 138 | 164 | 189 |
| B | Inches | 1 | 2 | 3 | 4 | 5 | ∞ |
| | Millimeters | 25 | 51 | 76 | 102 | 127 | ∞ |

MANTEL PROJECTIONS



| PRODUCT LISTING CODES | |
|-----------------------|------------------|
| US | ANSI Z21.50-2014 |
| CAN | CSA 2.22-2014 |
| US LISTED | UL307B |

Product information provided is not complete and is subject to change without notice. Product installation must adhere strictly to instructions accompanying product to avoid risk of fire and potential injury.

Additional information can be found online at www.heatilator.com