



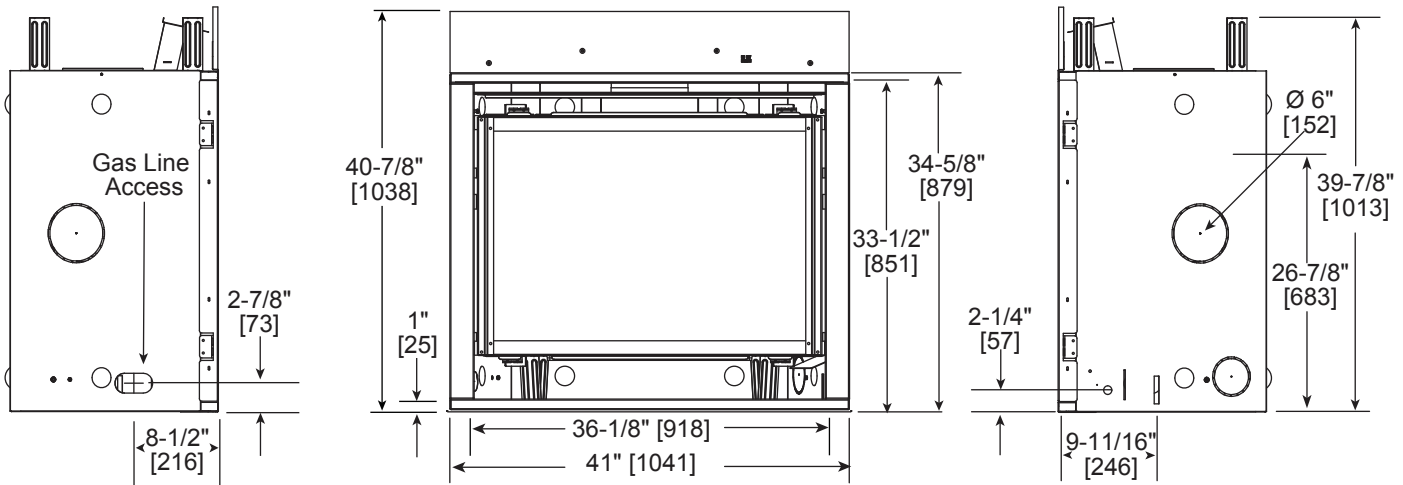
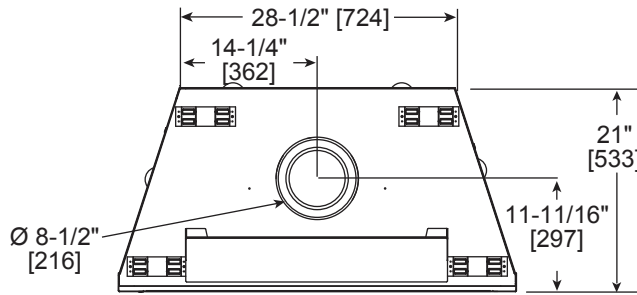
Please consult the manufacturer's installation manual for all details and requirements before making a final design layout decision.

# Caliber Modern CD4236-MOD

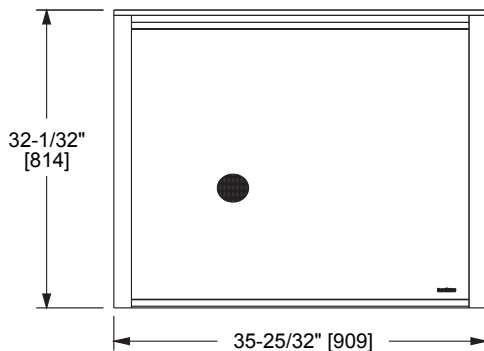
Direct Vent Gas Fireplace

MODEL	FRONT WIDTH		BACK WIDTH		HEIGHT		DEPTH		VIEWING AREA
	Actual	Framing	Actual	Framing	Actual	Framing	Actual	Framing	
CD4236-MOD	41	42	28-1/2	42	39-7/8	40-1/8	21	22	32 x 21-1/2

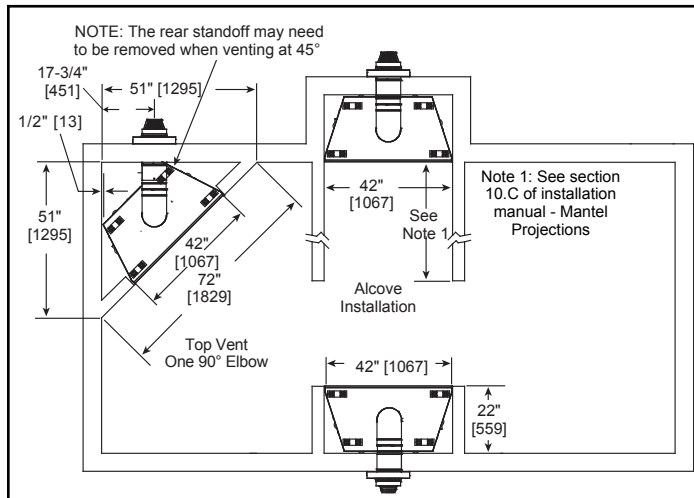
## CD4236-MOD UNIT



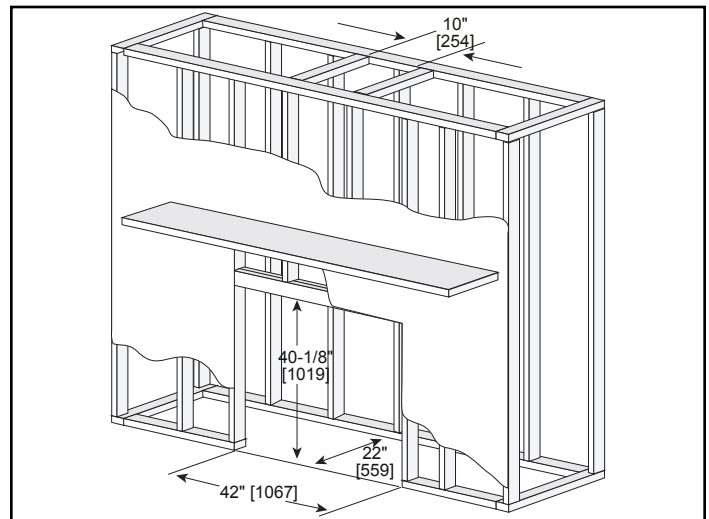
## SIM-36 SIMON FRONT



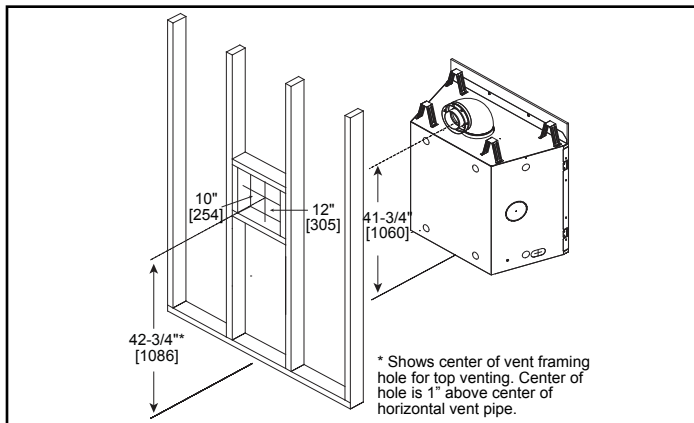
### APPLIANCE LOCATION



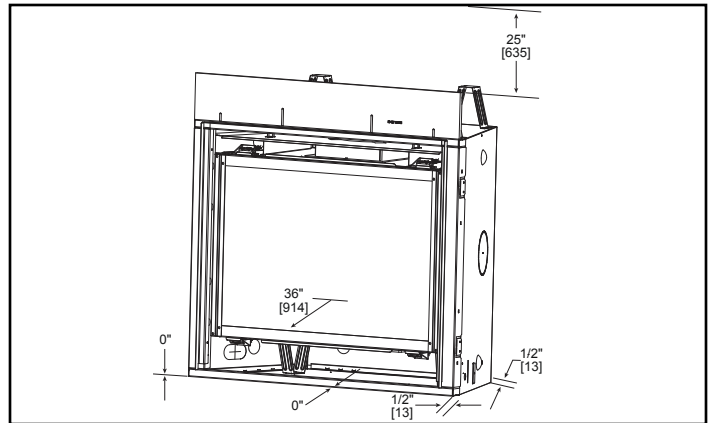
### FRAMING DIMENSIONS



### WALL PENETRATION



### CLEARANCES TO COMBUSTIBLES

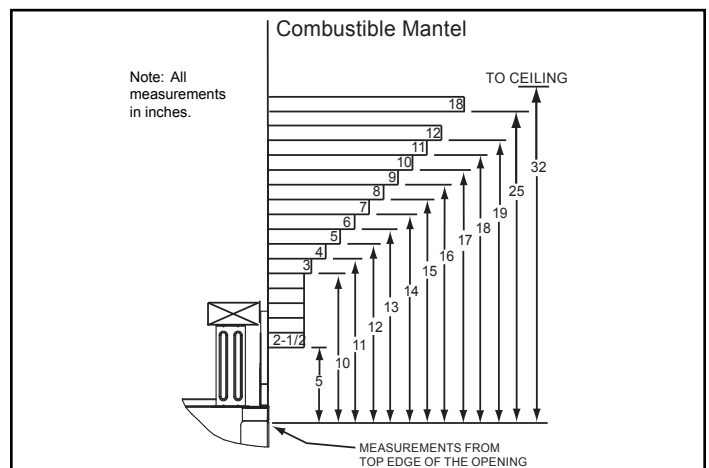


### MANTEL LEG/WALL PROJECTIONS

Combustible Mantel Legs or Wall Projections

		If A minimum is ____, then B maximum is ____.					
A	Inches	2-7/16	3-7/16	4-7/16	5-7/16	6-7/16	7-7/16
	Millimeters	62	87	113	138	164	189
B	Inches	1	2	3	4	5	∞
	Millimeters	25	51	76	102	127	∞

### MANTEL PROJECTIONS



PRODUCT LISTING CODES	
US	ANSI Z21.50-2014
CAN	CSA 2.22-2014
US LISTED	UL307B

Product information provided is not complete and is subject to change without notice. Product installation must adhere strictly to instructions accompanying product to avoid risk of fire and potential injury.

Additional information can be found online at [www.heatilator.com](http://www.heatilator.com)