

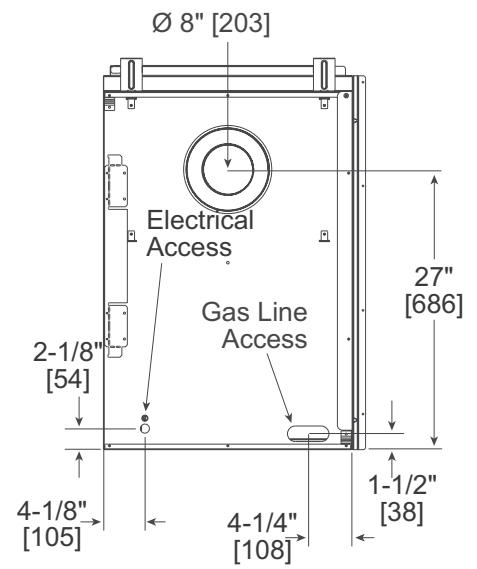
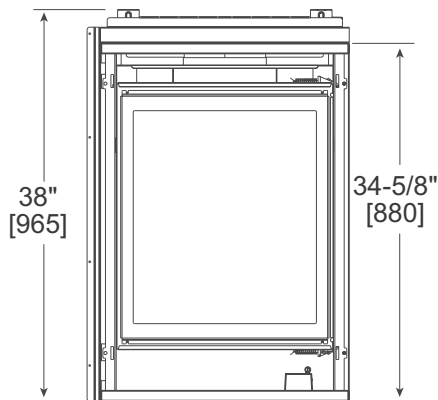
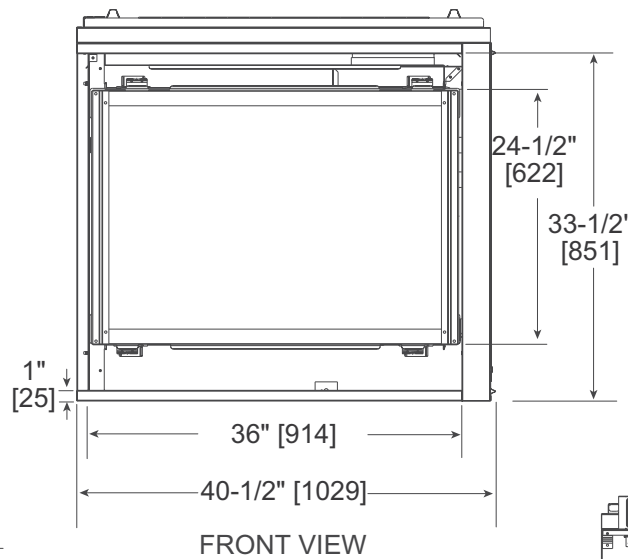
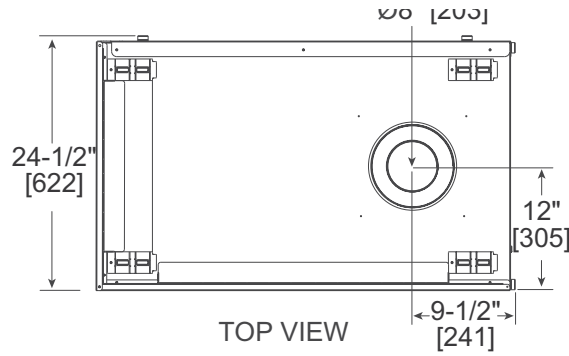


Please consult the manufacturer's installation manual for all details and requirements before making a final design layout decision.

CORNER SERIES

Direct Vent Gas Fireplace

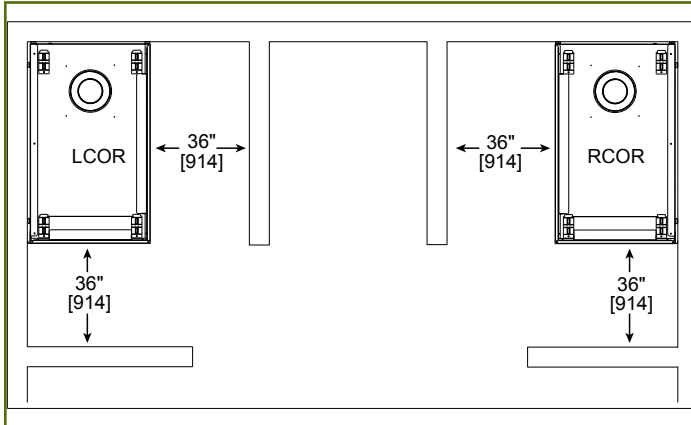
MODEL	FRONT WIDTH		BACK WIDTH		HEIGHT		SIDE DEPTH		VIEWING AREA
	Actual	Framing	Actual	Framing	Actual	Framing	Actual	Framing	
GDCR4136 GDCL4136	40-1/2"	40"	40-1/2"	40"	38"	38-1/8"	24-1/2"	24"	36 X 24-1/2"



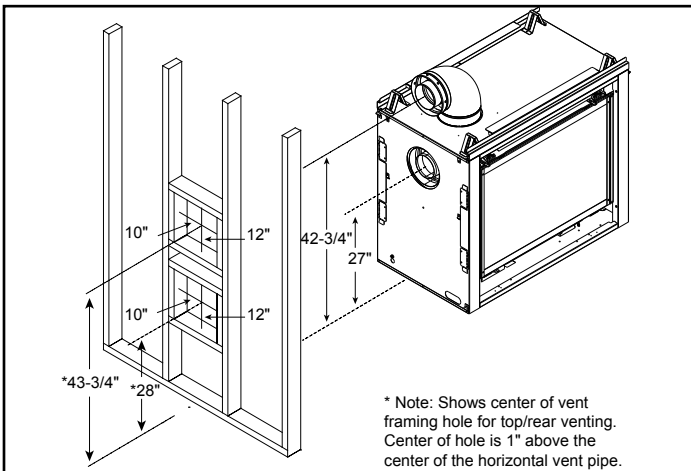
MINIMUM FIREPLACE CLEARANCES

AREA	TO COMBUSTIBLES (in inches)
CLEARANCE TO CEILING	31-5/8
COMBUSTIBLE/NON-COMBUSTIBLE FLOOR	0
END OF APPLIANCE	0.5
SIDES OF APPLIANCE	36

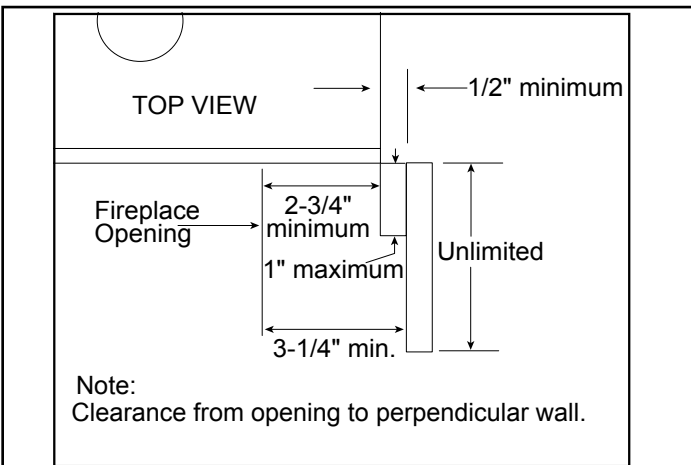
FIREPLACE LOCATIONS



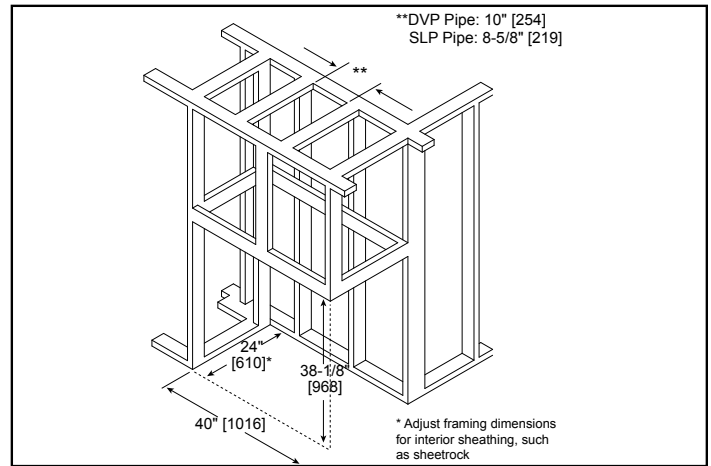
WALL PENETRATION



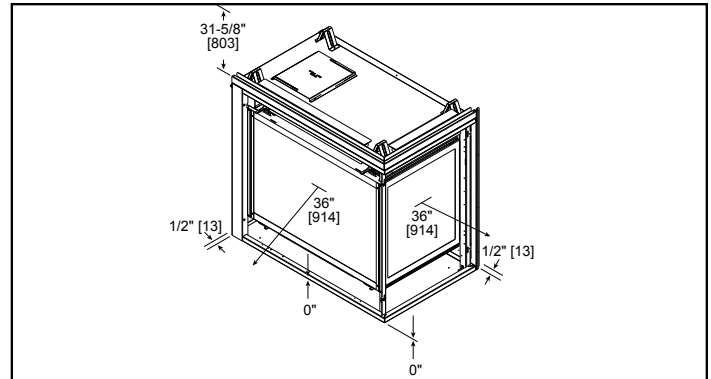
MANTEL LEG/WALL PROJECTIONS



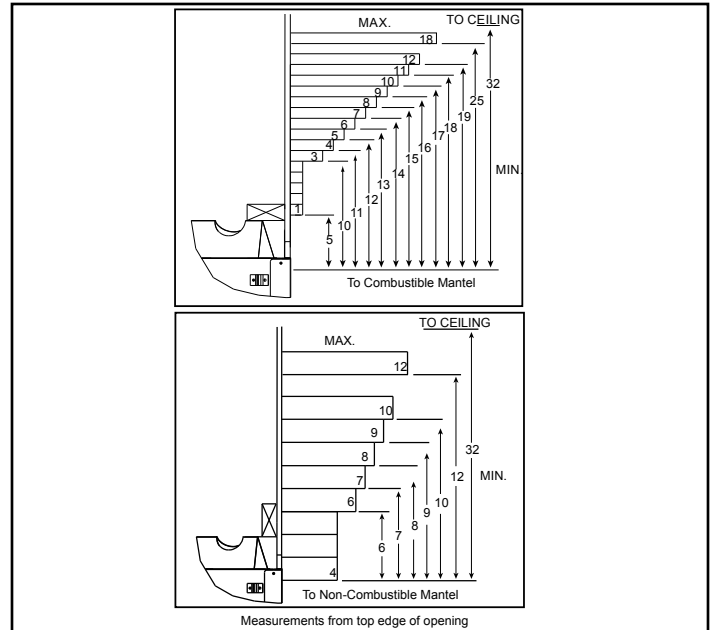
FRAMING DIMENSIONS



CLEARANCES TO COMBUSTIBLES



MANTEL PROJECTIONS



PRODUCT LISTING CODES	
US	ANSI Z21.88-2007
CAN	CSA 2.33a-2007
	UL307B

Product information provided is not complete and is subject to change without notice. Product installation must adhere strictly to instructions accompanying product to avoid risk of fire and potential injury.

Additional information can be found online at www.heatilator.com