



Please consult the manufacturer's installation manual for all details and requirements before making a final design layout decision.

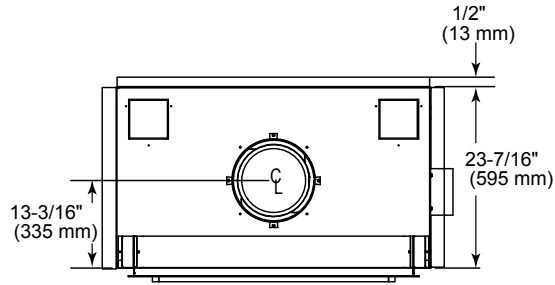
7100 EPA Wood-burning Fireplace

MODEL	FRONT WIDTH		BACK WIDTH		HEIGHT		DEPTH		VIEWING AREA
	Actual	Framing	Actual	Framing	Actual	Framing	Actual	Framing	
7100	40	42-1/2	40	42-1/2	45-13/16	46-1/4	23-15/16	24	38 x 32-1/2

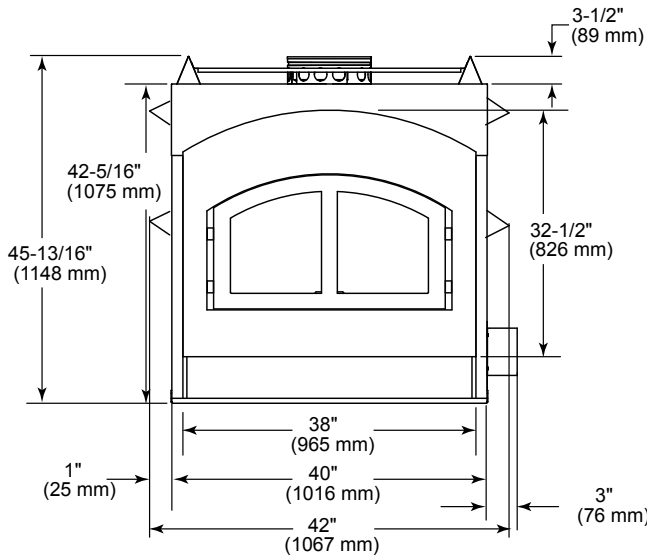
NOTE

The 7100 EPA wood fireplace utilizes HHT's SL300 series pipe which has a 10" outer dimension and an 8" inner dimension.

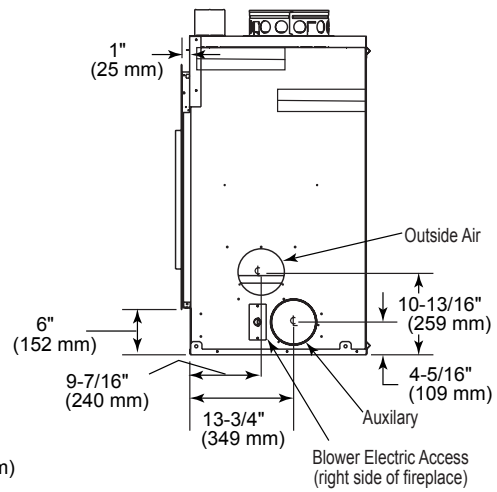
Duraplus 8" pipe, which has a 12" outer dimension and an 8" inner dimension, can also be used. Duraplus pipe requires a new starting collar.



Top View

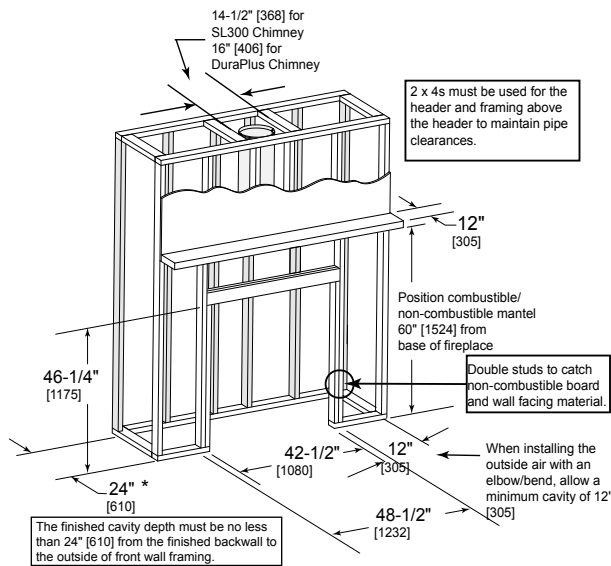


Front View



Side View

Framing Dimensions



*If interior of chase will be drywalled, add the thickness to this measurement.

