

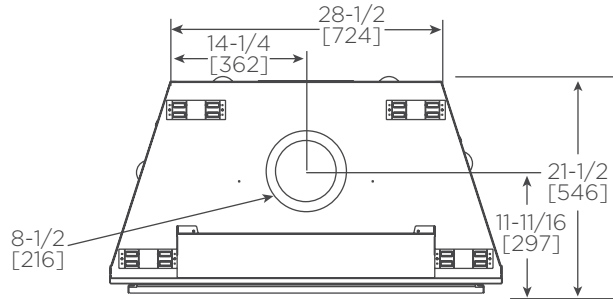


Please consult the manufacturer's installation manual for all details and requirements before making a final design layout decision.

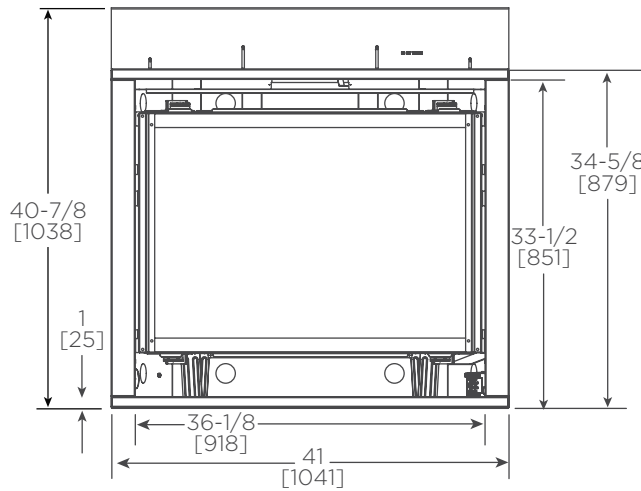
6000CLX

Direct Vent Gas Fireplace

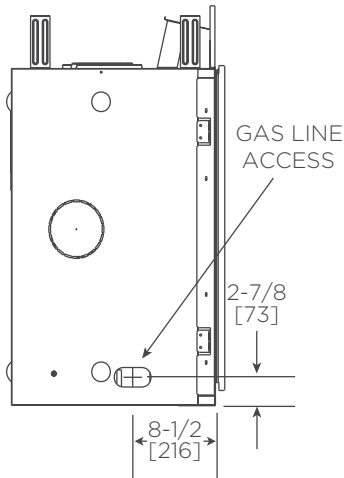
MODEL	FRONT WIDTH		BACK WIDTH		HEIGHT		DEPTH		GLASS SIZE
	Actual	Framing	Actual	Framing	Actual	Framing	Actual	Framing	
6000CLX	41	42	28-1/2	42	39-7/8	40-1/8	21-1/2	22	32 x 21-1/2



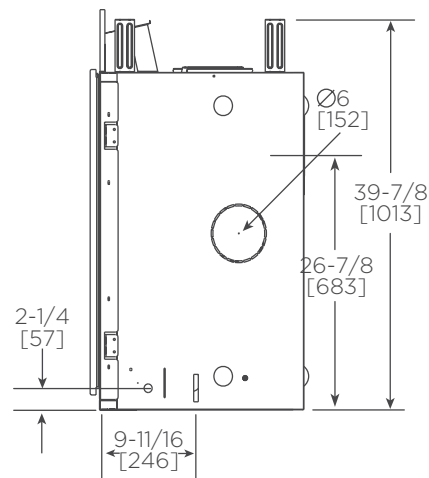
TOP VIEW



FRONT VIEW



LEFT SIDE



RIGHT SIDE

MINIMUM FIREPLACE CLEARANCES

AREA	TO COMBUSTIBLES (in inches)
CLEARANCE TO CEILING	25
NON-COMBUSTIBLE FLOOR	0
COMBUSTIBLE FLOORING	0
BEHIND APPLIANCE	1/2
SIDES OF APPLIANCE	1/2

APPLIANCE LOCATION

NOTE: THE REAR STANDOFF MAY NEED TO BE REMOVED WHEN VENTING AT 45°

	A	B	C	D	E	F	G	H
in.	51	42	72	56-5/8	See Section D.	22	17-3/4	8
mm	1296	1067	1829	1438	Mantel Projections	559	451	203

MANTEL LEG/WALL PROJECTIONS

If A minimum is LEG or then B maximum is _____

	A	2-7/16	3-7/16	4-7/16	5-7/16	6-7/16	7-7/16
in.	2-7/16	3-7/16	4-7/16	5-7/16	6-7/16	7-7/16	∞
mm	62	87	113	138	164	189	∞
in.	1	2	3	4	5	∞	∞
mm	25	51	76	102	127	∞	∞

FRAMING DIMENSIONS

Adjust framing dimensions for interior sheathing (such as sheetrock)
 ** Add 12 inches for rear venting with one 90° elbow.

CLEARANCES TO COMBUSTIBLES

MANTEL PROJECTIONS

Note: Measurement is taken from top of the opening, NOT the top of the fireplace.

MEASUREMENTS FROM TOP EDGE OF THE OPENING

PRODUCT LISTING CODES	
US	ANSI Z21.88b-2014
CAN	CSA 2.33a-2014
	UL307B

Product information provided is not complete and is subject to change without notice. Product installation must adhere strictly to instructions accompanying product to avoid risk of fire and potential injury.

Additional information can be found online at www.heatnglo.com