

SPECIFICATIONS

MODEL	TECHNICAL				PERFORMANCE								
	Width	Height	Depth	Weight	Peak BTU/Hr Output ¹	Heating Capacity ²	Maximum Burn Time ³	Efficiency	Emissions	Firebox Capacity	Maximum Log Length	Viewing Area	EPA Certification Number
5700 STEP TOP	27"	37-11/16"	32-3/8"	Actual: 434 lbs, Shipping: 484 lbs	70,300	1,400 - 3,700 sq. ft.	15 hrs	79.6%	2.3 g/hr	3.0 cu. ft.	24 in./22" ideal	187 sq. in.	714

Front View w/Pedestal

Side View w/Pedestal

Front View w/ Queen Anne Legs

Side View w/Queen Anne Legs

1: BTUs: 1st hour output @ 63%. BTUs will vary depending on the type of fuel used and moisture content of the fuel.
 2: Heating capacity (in square feet) is a guideline only and may differ due to climate, building construction and condition, amount and quality of insulation, location of the heater, and air movement in the room.
 3: Actual burn times will vary based on how the appliance is operated, load size, moisture content and type of wood used, chimney height and installation

CLEARANCES TO COMBUSTIBLES

INSTALLATION CLEARANCE	A	B	C	D
Installation: Full Vertical OR Horizontal w/Vertical Rise				
Single Wall Pipe	15-1/2"	28-1/2"	15"	45"
Double Wall Pipe	12-1/2"	28-1/2"	15"	45"
Installation: 90° Elbow Off Top of Stove Through Backwall				
Single Wall Pipe	12-1/2"	28-1/2"	15"	45"
Double Wall Pipe	12-1/2"	28-1/2"	15"	45"

Backwall / Sidewall

Corner Installation

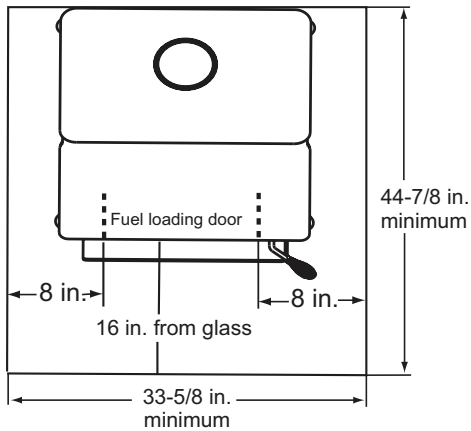
Stove to Ceiling Clearance

*Follow pipe manufacturer's clearances as required

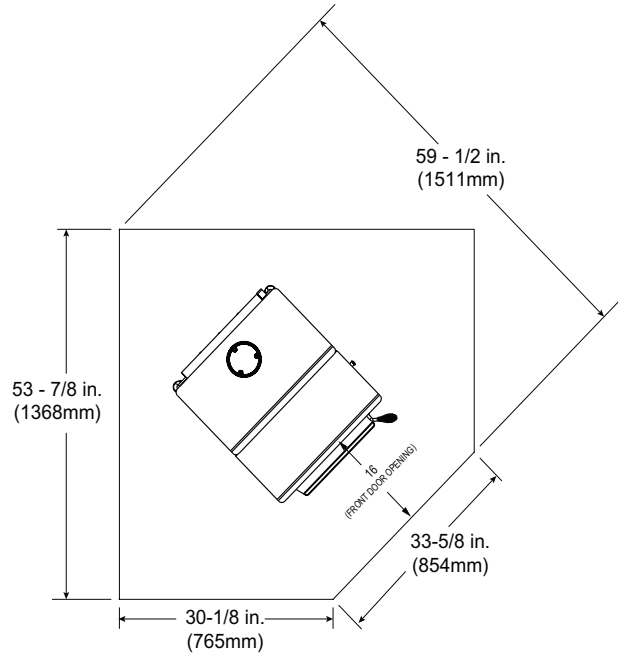
HEARTH PROTECTION REQUIREMENTS

For the 5700 Step Top in US installations, it is necessary to install a floor protector of a minimum of 1 inch (25mm) (K value=0.49, R value=0.59) of non-combustible material a minimum of 16 inches (406mm) in front of glass and 8 inches (203mm) to both sides of the fuel loading door. Open the door and measure 8 inches (203mm) from the side edge of the opening in the face of the appliance. In Canada, similar floor protection must be provided 18 inches (457mm) in front and 8 inches (203mm) from the sides and rear of the appliance. For clearance requirements in Canada please refer to installation manual.

Standard Hearth Pad Dimensions



**Corner Hearth Pad Dimensions
w/Single Wall Pipe and Double Wall Pipe**



Note: Non-combustible floor protections must extend beneath the flue pipe when installed with horizontal venting and extend 2 inches (51mm) beyond each side.