

**SPECIFICATIONS**

MODEL	TECHNICAL				PERFORMANCE								
	Width	Height	Depth	Weight	Peak BTU/Hr Output <sup>1</sup>	Heating Capacity <sup>2</sup>	Maximum Burn Time <sup>3</sup>	Efficiency	Emissions	Firebox Capacity	Maximum Log Length	Viewing Area	EPA Certification Number
4300 STEP TOP	26"	34-3/4"	28-11/16"	Actual: 315 lbs, Shipping: 355 lbs	56,000	1,100 - 3,000 sq. ft.	12 hrs	82.3%	1.1 g/hr	2.3 cu. ft.	20 in./18" ideal	165 sq. in.	656

**Front View w/Pedestal**

**Side View w/Pedestal**

**Front View w/ Queen Anne Legs**

**Side View w/ Queen Anne Legs**

1: BTUs: 1st hour output @ 63%. BTUs will vary depending on the type of fuel used and moisture content of the fuel.  
 2: Heating capacity (in square feet) is a guideline only and may differ due to climate, building construction and condition, amount and quality of insulation, location of the heater, and air movement in the room.  
 3: Actual burn times will vary based on how the appliance is operated, load size, moisture content and type of wood used, chimney height and installation

**CLEARANCES TO COMBUSTIBLES**

INSTALLATION CLEARANCE	A	B	C	D
<b>Installation: Full Vertical OR Horizontal w/Vertical Rise</b>				
Single Wall Pipe	18-1/2"	27-1/2"	15"	49-1/2"
Double Wall Pipe	10-1/2"	25"	15"	49-1/2"
<b>Installation: 90° Elbow Off Top of Stove Through Backwall</b>				
Double Wall Pipe	10-1/2"	22"	15"	49-1/2"

**Backwall / Sidewall**

**Corner Installation**

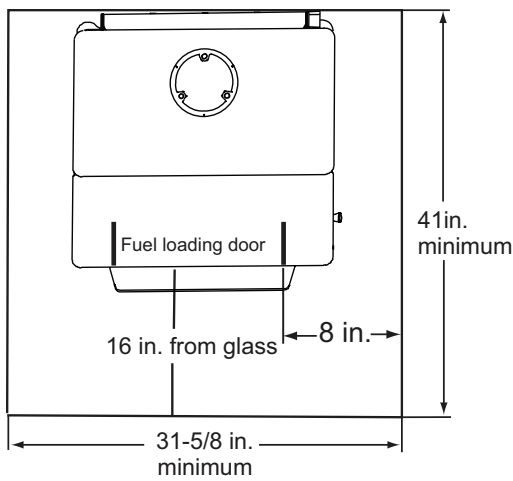
**Stove to Ceiling Clearance**

\*Follow pipe manufacturer's clearances as required

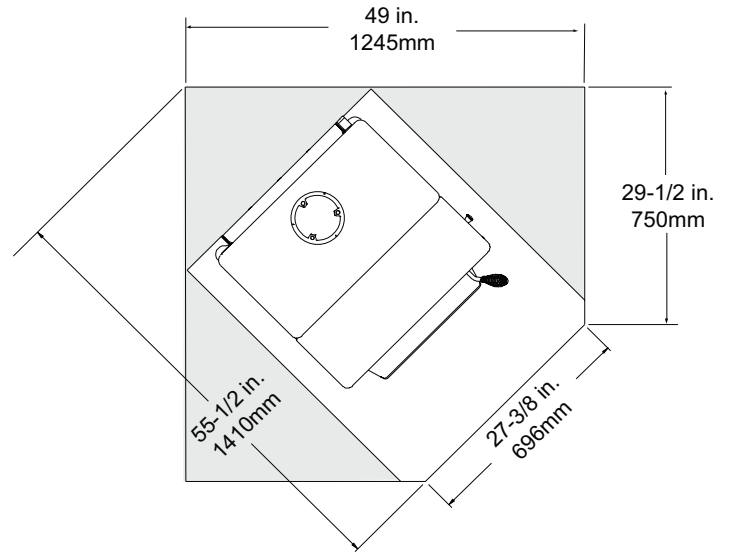
**HEARTH PROTECTION REQUIREMENTS**

For the 4300 Step Top in US installations, it is necessary to install a floor protector of a minimum of 3/8 inch (9.5mm) thick metal clad millboard or equivalent a minimum of 16 inches (406mm) in front of glass and 8 inches (203mm) to both sides of the fuel loading door. Open the door and measure 8 inches (203mm) from the side edge of the opening in the face of the appliance. In Canada, similar floor protection must be provided 18 inches (457mm) in front and 8 inches (203mm) from the sides and rear of the appliance.

**Standard Hearth Pad Dimensions**



**Corner Hearth Pad Dimensions  
w/Single Wall Pipe and Double Wall Pipe**



**Note:** Non-combustible floor protections must extend beneath the flue pipe when installed with horizontal venting and extend 2 inches (51mm) beyond each side.