

2-for-1 Profit Opportunity

The Twilight Modern taps into two megatrends with today's homebuyers; contemporary design and outdoor living. Make more money and differentiate your business with this indoor/outdoor see-through fireplace. One installation creates two attractive areas for homebuyers to enjoy their fireplace—and a gateway for builders to upsell outdoor living spaces. Leverage these trends and take the Twilight Modern to market.



Twilight Modern shown with contemporary front in fog gray and black glass media.

This Product will sell. Here's why:

• Innovative Leader in Technology

- Hearth & Home Technologies invented the Direct Vent category and continues to push the industry forward with a modern fireplace that bridges outdoor and indoor living areas
- With the new modern flame, you will be able to expand the indoor/outdoor category with a proven technology
- Same as always – easy installation, no chase or chimney required and all particles of combustion are vented to the exterior

• Innovative Leader in Design

- Trust in the most award-winning company, and give your builders the differentiation they want
- Modern, three-dimensional flame surrounded by reflective side panels
- Multiple front and media options allow the homebuyer to personalize their fireplace

• Innovative Leader in Safety

- Direct Vent technology ensures optimal indoor air quality
- The only hurricane-tested window and indoor/outdoor fireplace available

You Will Make Money With This Fireplace

- The Twilight Modern is the focal point of an outdoor living area, and can spark your outdoor living sales
- Command a premium price and higher margin on this unique and exclusive product

HHT Is Your Whole Hearth Provider

- Be the Hearth Expert, the Twilight Modern will help expand your builders' ability to sell outdoor living areas
- Leading the industry with the best brands, products and programs
- Financially strong and stable—we'll be there for you
- Committed to you and your business

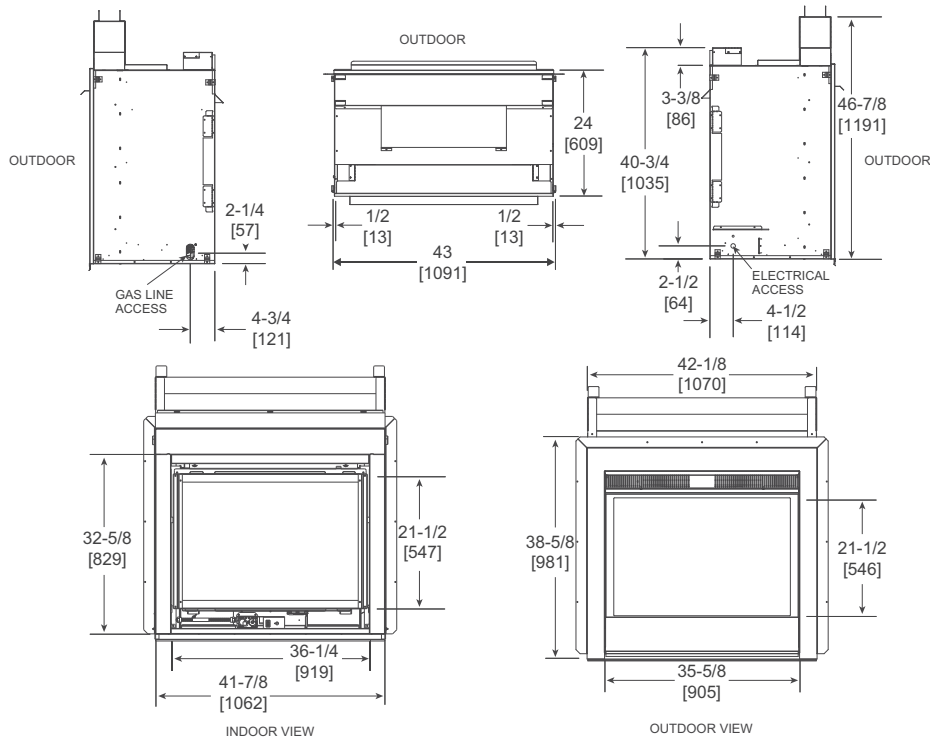
Modern Upgrade Conversion Kit for Twilight-II-B

Available for a limited time

TWI-II-B2MOD.....\$400

Framing Dimensions & Drawings

Model	Front Width		Back Width		Height		Depth		Glass Size	BTU/Hr Input
	Unit	Framing	Unit	Framing	Unit	Framing	Unit	Framing		
Twilight Modern	43"	44"	43"	44"	In: 40-3/4" Out: 46-7/8"	In: 41-1/4" Out: 47-5/8"	24"	23"	35-5/8" x 21-1/2"	38,000



Models Available & MSRP

TWILIGHT-II-MOD	CONTEMPORARY INDOOR/OUTDOOR FIREPLACE WITH INTELLIFIRE (NG).....	\$5,179
LPK-TWI-MOD	NG TO LP CONVERSION KIT FOR TWILIGHT-II-MOD.....	\$89

Fronts

DF-6000	RECTANGULAR FRONT (BLACK).....	\$189
TMOD-II-BK	CONTEMPORARY FRONT WITH BUILT IN, OVERLAPPING SURROUND - BLACK	\$469
TMOD-II-GY	CONTEMPORARY FRONT WITH BUILT IN, OVERLAPPING SURROUND - FOG GRAY	\$499

Media

MEDIA-CRYSTAL21	GLASS MEDIA - CLEAR	\$199
MEDIA-AMBER-20	GLASS MEDIA - AMBER	\$199

Fan Kit

GFK-160T	BLOWER ASSEMBLY	\$259
----------------	-----------------------	-------

Modern Upgrade Conversion Kit - Offered for a limited time only

TWI-II-B2MOD.....	MODERN UPGRADE CONVERSION KIT FOR TWILIGHT-II-B	\$400
-------------------	---	-------

Quote/Installation Considerations

- No venting required
- Same framing as the Twilight-II-B
- Exterior front is standard and now includes standard safety mesh
- Required non-combustible board is included
- Ships with black glass media and black ceramic glass refractory standard