

**HARMAN**<sup>TM</sup>  
BUILT TO A STANDARD, NOT A PRICE

**TL2.0 & TL2.6  
WOOD STOVES**



# BUILT TO A STANDARD, NOT A PRICE

Top load handle

Damper handle

Exclusive air wash system keeps door glass cleaner longer

Hook and roller door latch

Optional slate tiles available in four designs

Top loading for convenience and ease

Optional stainless steel trim

State-of-the-art, whisper-quiet variable-speed blower

Huge ash pan



## TL2.0 & TL2.6 WOOD STOVES

The new TL2.0 and TL2.6 are Harman's latest wood-heating powerhouses. Just when you thought the FireDome Combustion System couldn't get better, the engineers at Harman have improved it with easier servicing and improved reliability. These top-loading stoves have extraordinary long burn times, even heat output and huge ash pans for maximum convenience. Like the TL300, they are loaded with distinctive options such as cooking grills, blowers and accent trims. Maximizing the heat from every piece of wood is what Harman wood stoves are all about.

**Above & Cover:** TL2.0 shown with optional stainless steel door trim and flower slate tile.

**Right:** TL2.6 shown with optional stainless steel door trim and legs.





TL2.6 shown with optional stainless steel door trim and pedestal base with Horses slate tile.

## FEATURES

- FireDome Plus Combustion System
- Very steady heat output
- Top loading for convenience and ease
- Huge ash pan - less unloading and less fuss
- Harman quality, fit & finish



Top Loading



Huge Ash Pan

## OPTIONS

- TL2.6 available with pedestal base or legs
- Brushed stainless steel trim
- Cooking grill
- Firescreen
- Slate tiles in four designs



TL2.6 with pedestal base



TL2.6 with legs



Optional Cooking Grill



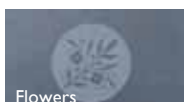
Brushed Stainless Steel Trim



Standard Door Trim



Deer



Flowers



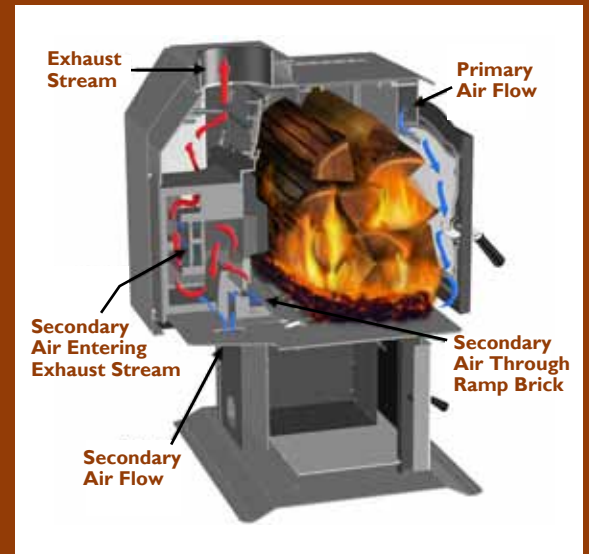
Horses



Lighthouse

## FIREDOME PLUS COMBUSTION SYSTEM

The basis of the efficiency on the TL 2.0 and 2.6 is Harman's exclusive FireDome Plus Combustion System. This system has a special dome shaped combustion chamber that mixes fresh air with the flue gases to concentrate and burn at higher temperatures for cleaner burns. It is also responsible for more even heat output over the burn time of each load of wood. With FireDome Plus, it's not unusual to have burn times of up to 18 hours! Every bit of fuel is completely burned, offering not only the longest burns, but pushing the maximum amount of heat into the room. When FireDome Plus is working properly, a huge flame will not be visible. The beauty of FireDome Plus is the "glow" from the rear of the firebox which is a sign that you are getting optimal heat and long burns from the FireDome Plus. Less loading, easier maintenance, serious heat for longer, that's the Harman FireDome Plus.



Combustion in Harman Wood Stoves is best explained in two parts: **Primary** and **Secondary Combustion**.

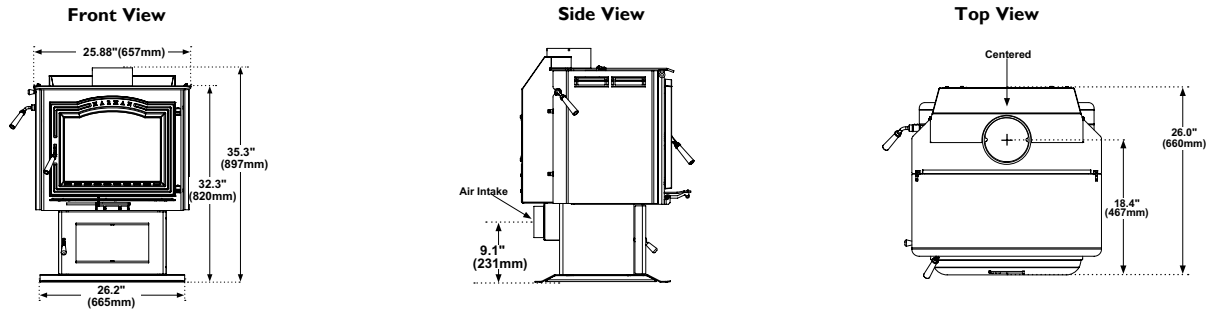
**Primary Combustion** occurs when air enters through the bottom front of the stove and is guided into the firebox along the front glass. This airflow provides air to the fire while keeping the glass clean.

**Secondary Combustion** occurs in the FireDome combustion system. Additional air enters the bottom rear of the stove passes through holes in the rear brick. This air invigorates the fire at the rear of the firebox prior to entering the FireDome. Once in the FireDome the smoke is reburned prior to exiting the stove.

# SPECIFICATIONS

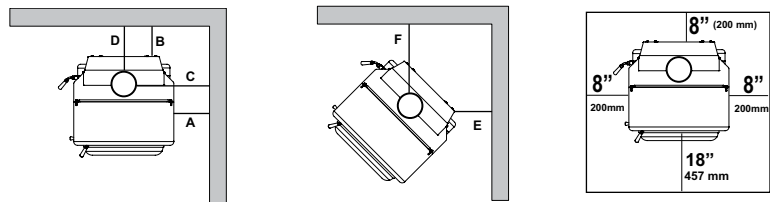
Model	Max. BTUs	Heating Capacity†	Log Length	Fuel Type	Flue Size	Blower Size	Ship Weight	Width	Height	Depth
TL2.0	58,000	Up to 2,900 sq. ft.	19" max.	Cord wood	6" top	100 cfm	452 lbs	25.8"	35.3"	26.0"

## CLEARANCES AND DIMENSIONS

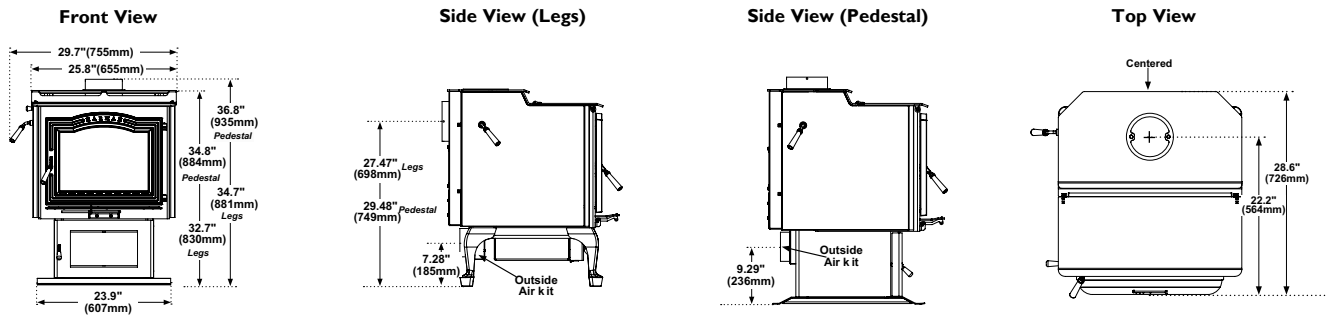


### Clearances (Drawings shown on right)

A - Unit to Sidewall	14"
B - Unit to Backwall	13"
C - Chimney Connector to Sidewall	24"
D - Chimney Connector to Backwall	18"
E - Unit to Adjacent Wall	16"
F - Chimney Connector to Adjacent Wall	22.5"

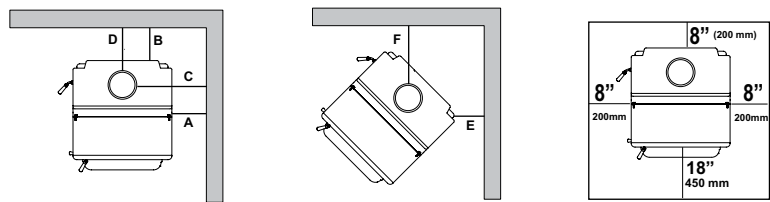


Model	Max. BTUs	Heating Capacity†	Log Length	Fuel Type	Flue Size	Blower Size	Ship Weight	Width	Height	Depth
TL2.6	64,000	Up to 3,200 sq. ft.	19" max.	Cord wood	6" top or rear	100 cfm	525 lbs	25.8"	With pedestal - 36.8" With legs - 34.7"	28.6"



### Clearances (Drawings shown on right)

A - Unit to Sidewall	17"
B - Unit to Backwall	17"
C - Chimney Connector to Sidewall	27"
D - Chimney Connector to Backwall	20"
E - Unit to Adjacent Wall	14.5"
F - Chimney Connector to Adjacent Wall	23"



YOUR HARMAN DEALER IS:

**HARMAN**<sup>TM</sup>  
 BUILT TO A STANDARD, NOT A PRICE

A BRAND OF  
**HEARTH & HOME TECHNOLOGIES**<sup>®</sup>  
 352 MOUNTAIN HOUSE ROAD  
 HALIFAX, PA 17032  
 WWW.HARMANSTOVES.COM

facebook.com/HarmanStoves  
 twitter.com/HarmanStoves  
 youtube.com/HarmanStoves

### Limited Lifetime Warranty\*

The strongest in the industry, Harman provides a limited lifetime warranty on most important aspects: firebox and heat exchanger.

Actual product appearance, including flame, may differ from image. Tested to: CAN/CSA B366.10-M91, UL 391, ASTM E 1509-95, ULC C1482-M1990. Product specifications and pricing subject to change without notice. The images and descriptions in this brochure are provided to assist you in product selection only. †Heating capacity is a guideline only and may differ slightly due to climate, building construction and condition, amount and quality of insulation, location of the heater and air movement in the room. Refer to installation manual for complete clearance requirements and specifications.

\*For full warranty details, visit [www.harmanstoves.com](http://www.harmanstoves.com)

HAR-1207U-0811